



US00D594920S

(12) **United States Design Patent**
Drouin et al.

(10) **Patent No.:** **US D594,920 S**
(45) **Date of Patent:** **** Jun. 23, 2009**

- (54) **HOCKEY STICK SHAFT**
- (75) Inventors: **Vincent Drouin**, Montreal (CA); **Robert Timothy Pearson**, Banning (CA)
- (73) Assignee: **Sport Maska Inc.**, Montreal (CA)
- (**) Term: **14 Years**
- (21) Appl. No.: **29/318,925**
- (22) Filed: **May 30, 2008**
- (51) **LOC (9) Cl.** **21-02**
- (52) **U.S. Cl.** **D21/757; D21/727**
- (58) **Field of Classification Search** **D21/727, D21/756-757; 473/560-563**
See application file for complete search history.

(56) **References Cited**

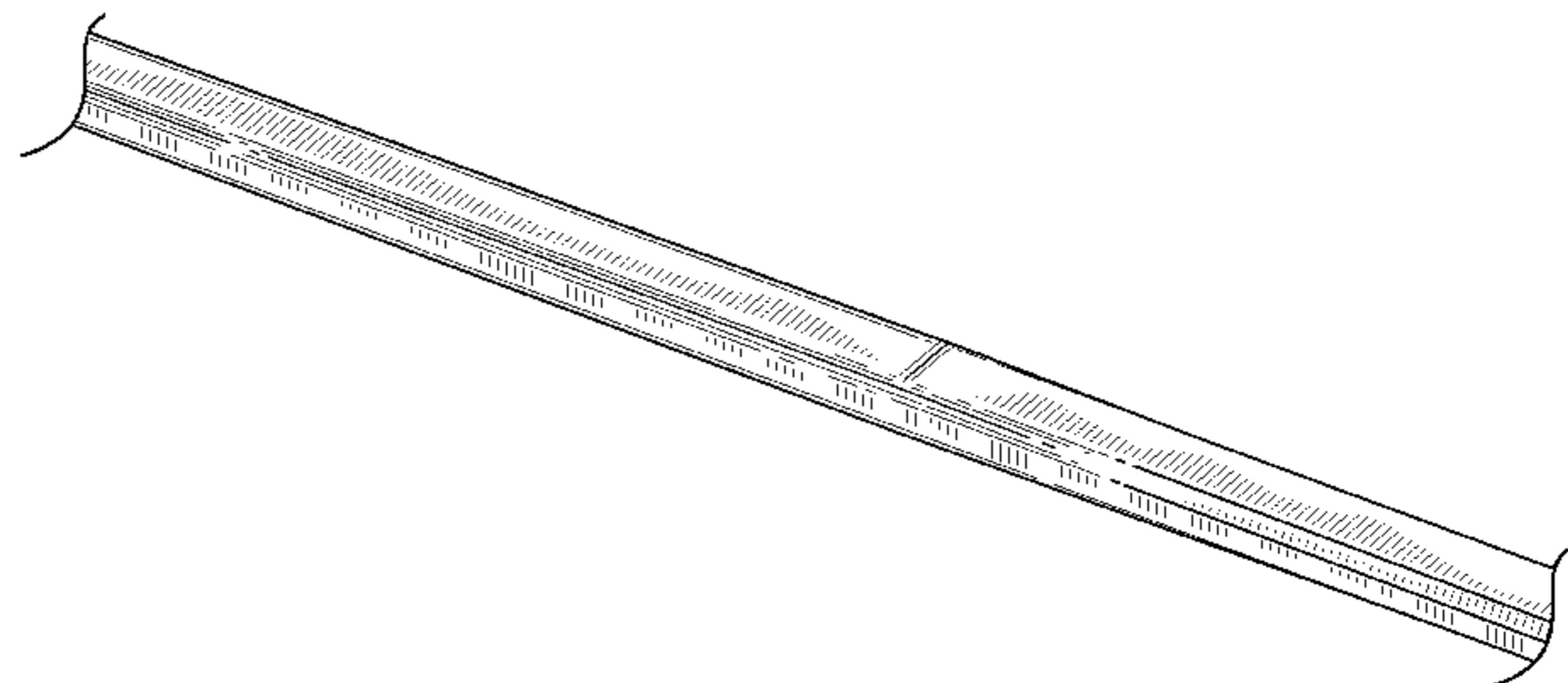
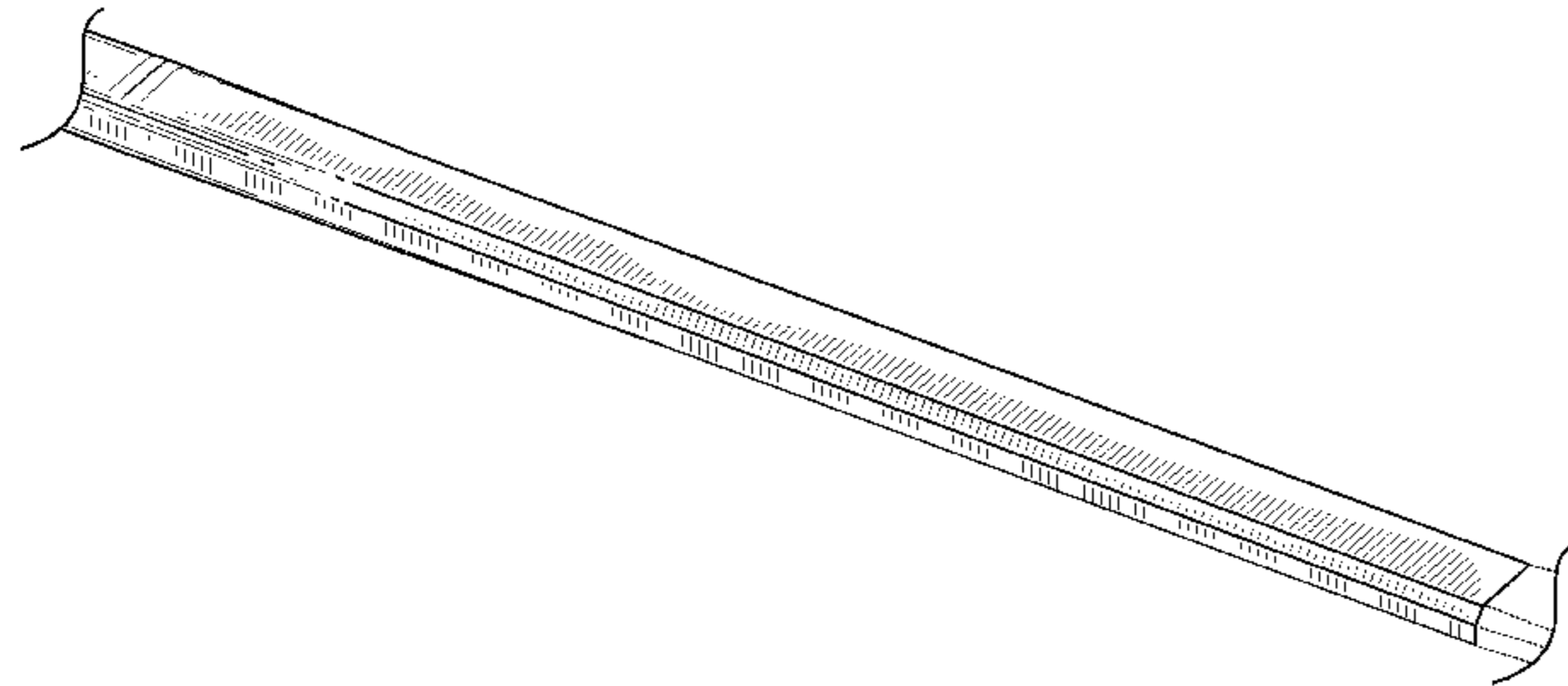
U.S. PATENT DOCUMENTS

649,146	A	5/1900	Tice	
1,459,389	A	6/1923	Brown	
2,040,132	A	5/1936	Hall	
2,596,894	A	5/1952	Frisch	
3,702,702	A	11/1972	Hoult	
3,844,555	A *	10/1974	Tremblay	473/563
3,934,875	A	1/1976	Easton et al.	
D244,790	S *	6/1977	Carlson et al.	D21/727
4,159,114	A	6/1979	Ardell et al.	
4,200,479	A	4/1980	Ardell et al.	
4,353,549	A	10/1982	Goupil et al.	
4,684,130	A	8/1987	Drolet et al.	
4,739,994	A	4/1988	Lewis, Jr.	
4,940,243	A	7/1990	Tucker et al.	
5,007,652	A	4/1991	Tucker et al.	
5,048,843	A	9/1991	Dorfi et al.	
5,082,290	A	1/1992	Tucker et al.	
5,603,498	A	2/1997	Crawford et al.	
5,651,744	A	7/1997	Millon et al.	
5,674,140	A	10/1997	Tucker et al.	
5,718,647	A *	2/1998	Tiitola	473/562
D404,449	S	1/1999	Burger	
D406,625	S	3/1999	Hutzenlaub	
D412,544	S	8/1999	Burger	
5,967,913	A	10/1999	Sulenta	

6,033,327	A	3/2000	Bird	
6,033,328	A	3/2000	Bellefleur et al.	
D430,249	S *	8/2000	Burger	D21/757
6,129,962	A	10/2000	Quigley et al.	
6,241,633	B1	6/2001	Conroy	
6,267,697	B1	7/2001	Sulenta	
6,500,079	B1	12/2002	Tucker et al.	
D484,555	S	12/2003	Bellefleur et al.	
6,752,730	B1	6/2004	Brine, Jr. et al.	
D504,166	S *	4/2005	Bellefleur et al.	D21/757
D504,929	S *	5/2005	Bellefleur et al.	D21/757
6,960,144	B2	11/2005	Tucker et al.	
7,097,577	B2 *	8/2006	Goldsmith et al.	473/563
7,108,616	B2	9/2006	Morrow et al.	
D531,243	S *	10/2006	Davis	D21/756
D534,227	S	12/2006	Lee	
7,144,343	B2	12/2006	Goldsmith et al.	
7,201,678	B2	4/2007	Filice et al.	
D544,932	S	6/2007	Scott	
7,232,386	B2	6/2007	Halko et al.	
7,282,000	B2	10/2007	Brine, III et al.	
7,285,063	B2	10/2007	Lussier et al.	
D556,281	S	11/2007	Bamber	
7,326,135	B2	2/2008	Lussier et al.	
2002/0128094	A1	9/2002	Manory	
2004/0087395	A1	5/2004	Manory	
2004/0121864	A1	6/2004	Morrow et al.	
2005/0064964	A1	3/2005	Filice et al.	
2005/0137037	A1	6/2005	Tucker, Sr.	
2005/0209029	A1	9/2005	Morrow et al.	
2005/0215363	A1	9/2005	Lussier et al.	
2005/0277494	A1	12/2005	Goss	
2005/0282666	A1	12/2005	Morrow	
2005/0282667	A1	12/2005	Morrow	
2006/0046866	A1	3/2006	Rigoli	
2006/0247077	A1	11/2006	Deetz	
2007/0004541	A1	1/2007	Price et al.	
2007/0010358	A1	1/2007	Filice et al.	
2007/0049431	A1	3/2007	Meyer et al.	
2007/0135244	A1	6/2007	Lee	
2007/0184923	A1	8/2007	Morrow	
2007/0270255	A1	11/2007	Morrow et al.	
2007/0287561	A1	12/2007	Rigoli	
2008/0026882	A1	1/2008	Main	

FOREIGN PATENT DOCUMENTS

CA	896691	3/1972
CA	1180728	1/1985



CA	1205835		6/1986
CA	1215406		12/1986
CA	1219886		3/1987
CA	2091630		3/1993
CA	1317610		5/1993
CA	2106178		9/1993
CA	2071158		10/1993
CA	2117962		10/1994
CA	2138715		1/1996
CA	2158898		3/1997
CA	2382571		3/2000
CA	2428217		5/2002
CA	2451911		1/2003
CA	2358307		4/2003
CA	2481072		3/2005
CA	2481072	A1	3/2005
CA	2506213	A1	5/2005
CA	2462333		9/2005
CA	2502538		9/2005
CA	2502630		9/2005
CA	2502642		9/2005
CA	2558046		9/2005
CA	2485420		1/2006
CA	2575460		3/2006
CA	2526724		5/2006
WO	9421334		9/1994
WO	0114019		3/2001
WO	2006016911		2/2006
WO	2007033536		3/2007

* cited by examiner

Primary Examiner—Mitchell I Siegel
(74) *Attorney, Agent, or Firm*—Olser, Hoskin & Harcourt LLP

(57) **CLAIM**

The ornamental design for a hockey stick shaft, as shown and described.

DESCRIPTION

FIG. 1 is a rear left perspective view showing a hockey stick shaft according to our design;

FIG. 2 is a rear elevation view of the hockey stick shaft of FIG. 1, a front elevation view being a mirror image thereof;

FIG. 3 is a right side elevation view of the hockey stick shaft of FIG. 1, a left side elevation view being a mirror image thereof;

FIG. 4 is a bottom plan view of the hockey stick shaft of FIG. 1;

FIG. 5 is a top plan view of the hockey stick shaft of FIG. 1;

FIG. 6 is a cross-sectional view of the hockey stick shaft taken along the line 6—6 in FIG. 2;

FIG. 7 is a cross-sectional view of the hockey stick shaft taken along the line 7—7 in FIG. 2;

FIG. 8 is a cross-sectional view of the hockey stick shaft taken along the line 8—8 in FIG. 2;

FIG. 9 is a cross-sectional view of the hockey stick shaft taken along the line 9—9 in FIG. 2;

FIG. 10 is a cross-sectional view of the hockey stick shaft taken along the line 10—10 in FIG. 2;

FIG. 11 is a cross-sectional view of the hockey stick shaft taken along the line 11—11 in FIG. 2;

FIG. 12 is a rear left perspective close-up view of the portion of the hockey stick shaft indicated by bracket 12 in FIG. 1;

FIG. 13 is a rear elevation view of the portion of the hockey stick shaft of FIG. 12, a front elevation view being a mirror image thereof;

FIG. 14 is a right side elevation view of the portion of the hockey stick shaft of FIG. 12, a left side elevation view being a mirror image thereof;

FIG. 15 is a rear left perspective close-up view of the portion of the hockey stick shaft indicated by bracket 15 in FIG. 1;

FIG. 16 is a rear elevation view of the portion of the hockey stick shaft of FIG. 15, a front elevation view being a mirror image thereof;

FIG. 17 is a right side elevation view of the portion of the hockey stick shaft of FIG. 15, a left side elevation view being a mirror image thereof;

FIG. 18 is a rear left perspective close-up view of the portion of the hockey stick shaft indicated by bracket 18 in FIG. 1;

FIG. 19 is a rear elevation view of the portion of the hockey stick shaft of FIG. 18, a front elevation view being a mirror image thereof; and,

FIG. 20 is a right side elevation view of the portion of the hockey stick shaft of FIG. 18, a left side elevation view being a mirror image thereof.

Throughout the Figures, broken lines showing environmental structure (e.g. a typical hockey stick blade) are for illustrative purposes only and form no part of the claimed design.

1 Claim, 9 Drawing Sheets

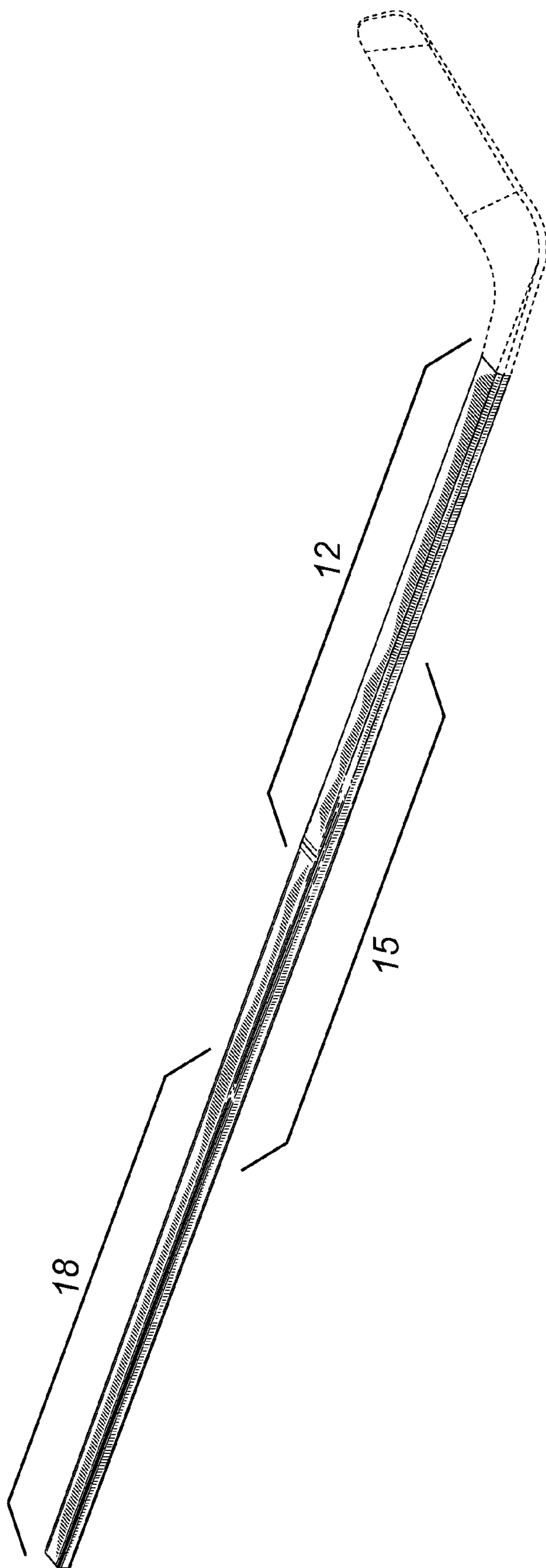


FIG. 1

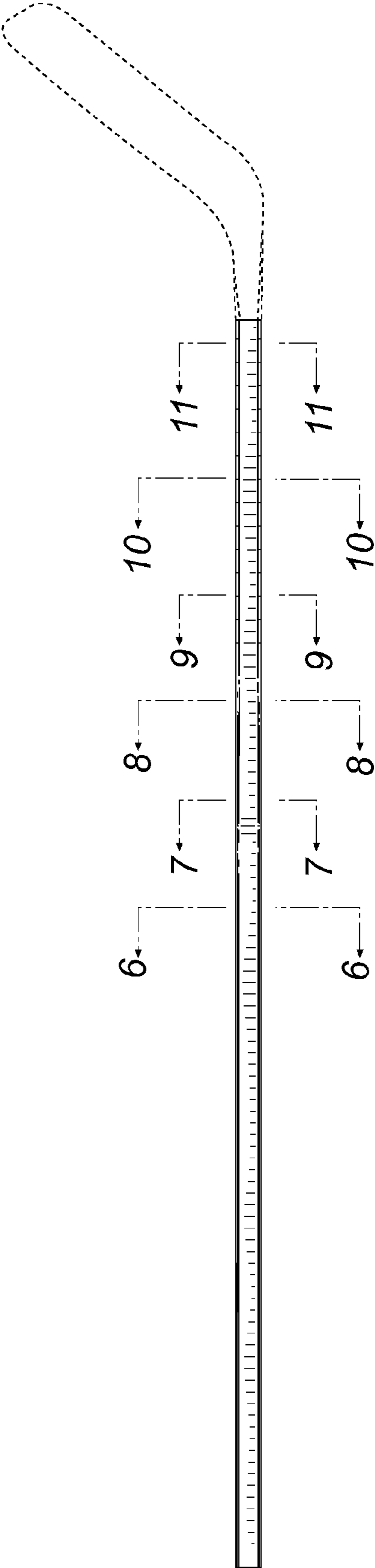


FIG. 2

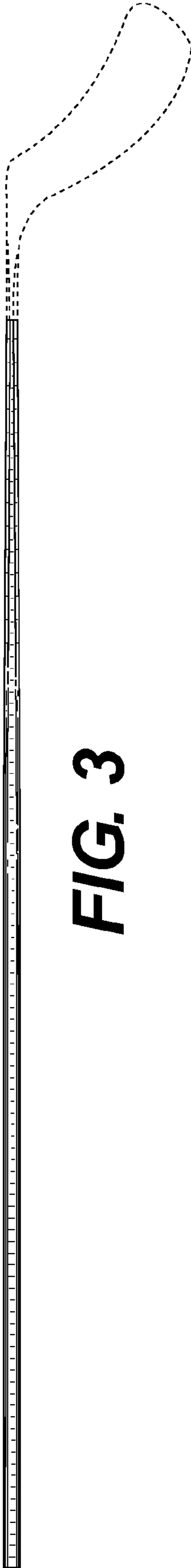


FIG. 3

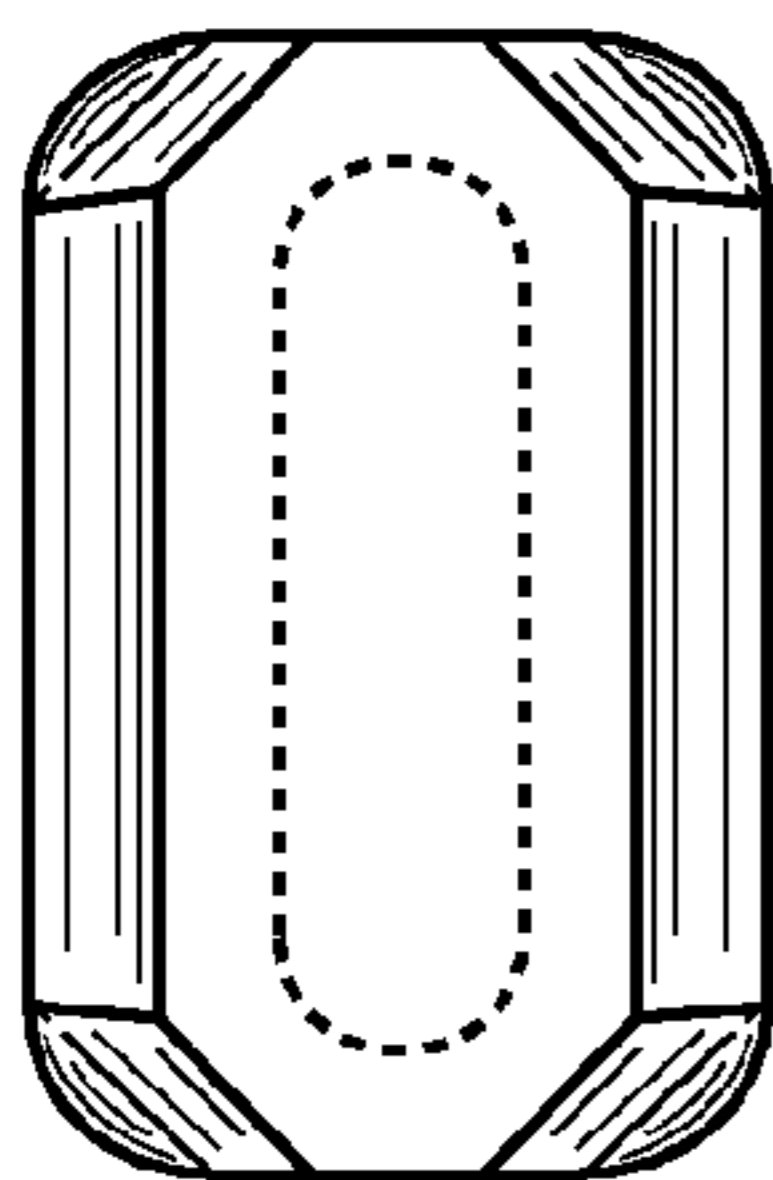


FIG. 4

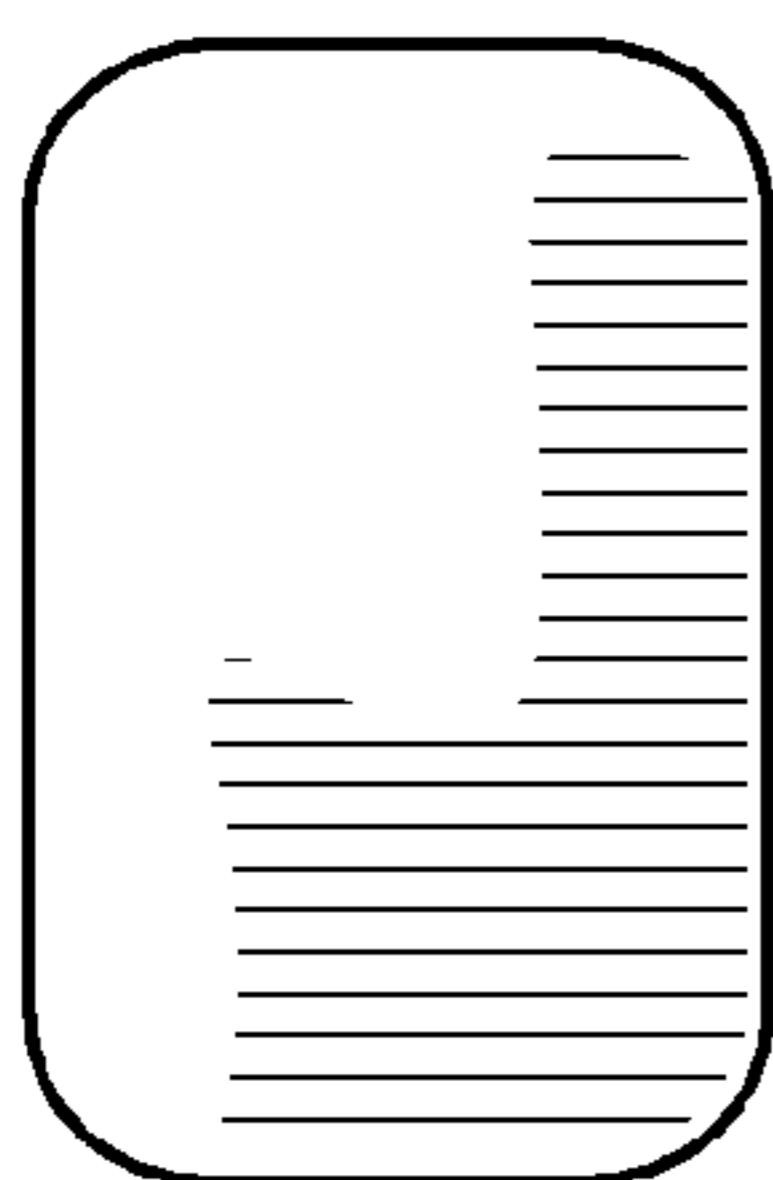


FIG. 5

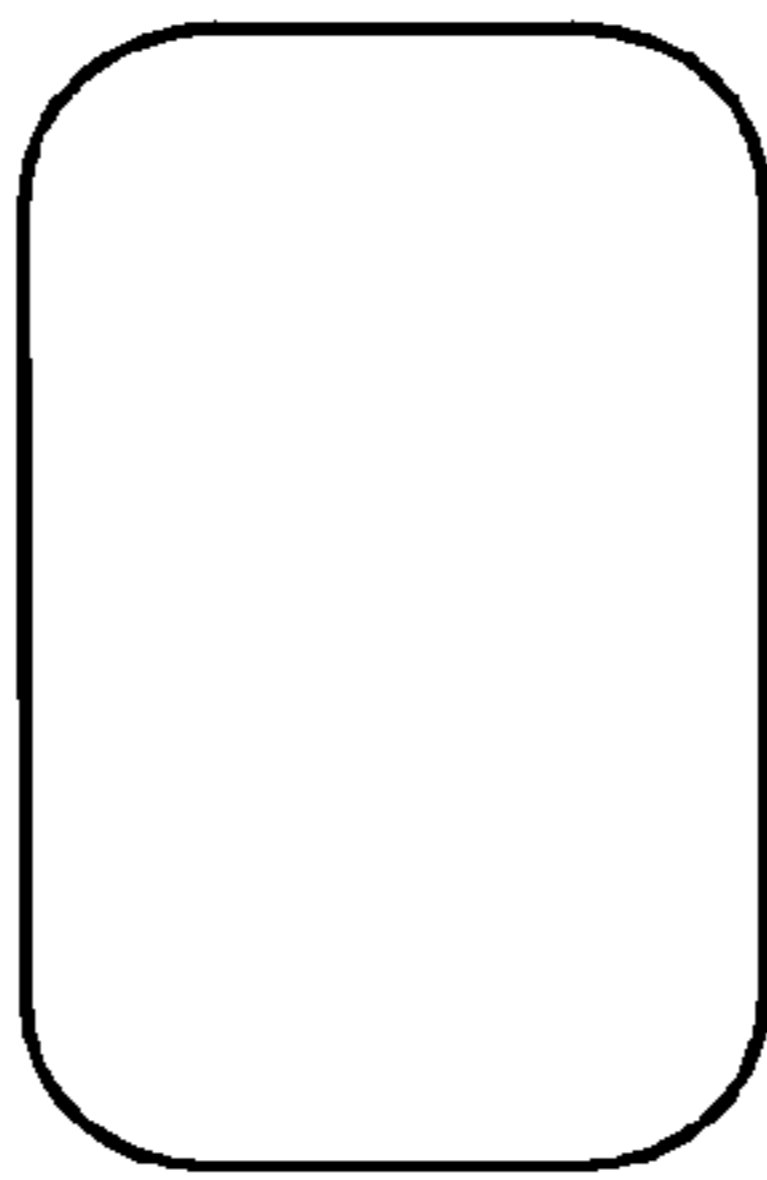


FIG. 6

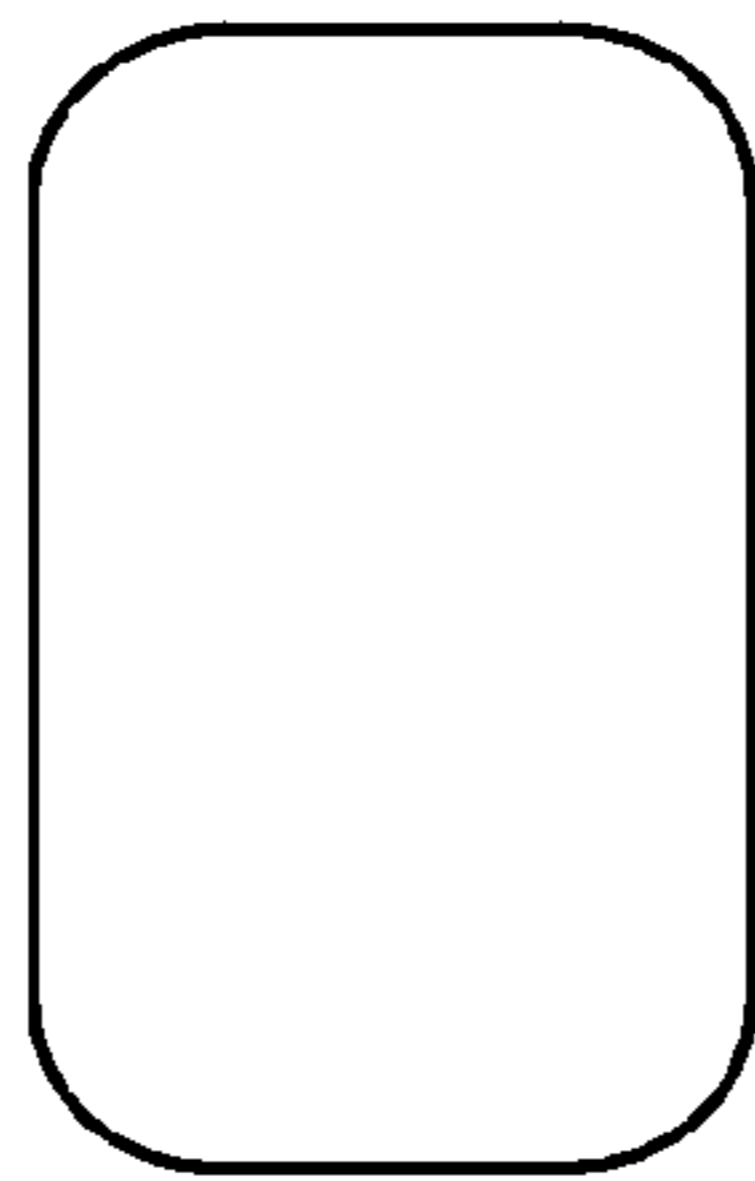


FIG. 7

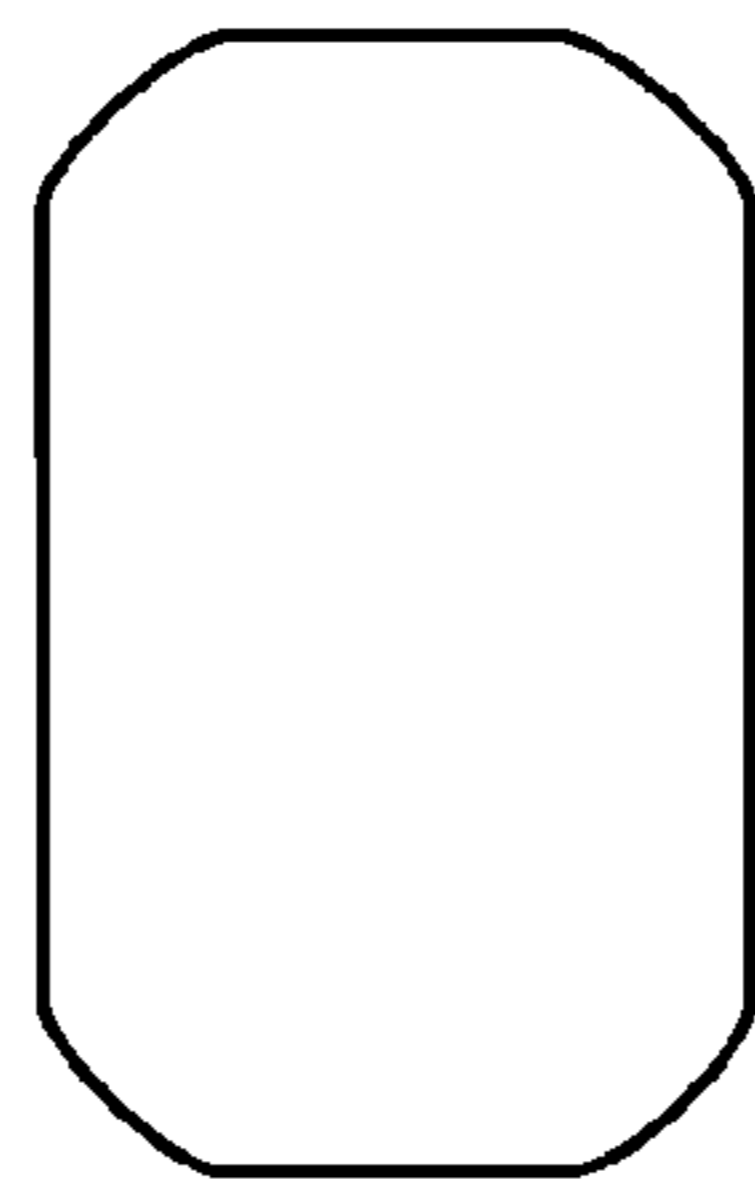


FIG. 8

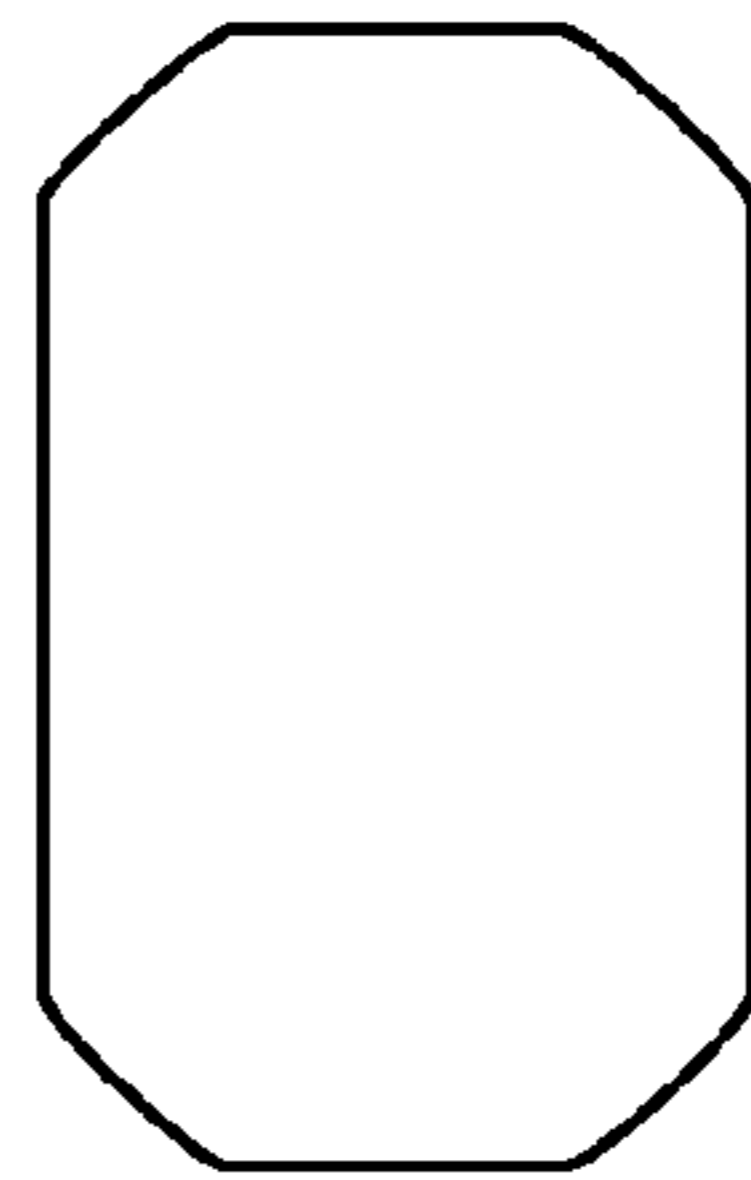


FIG. 9



FIG. 10

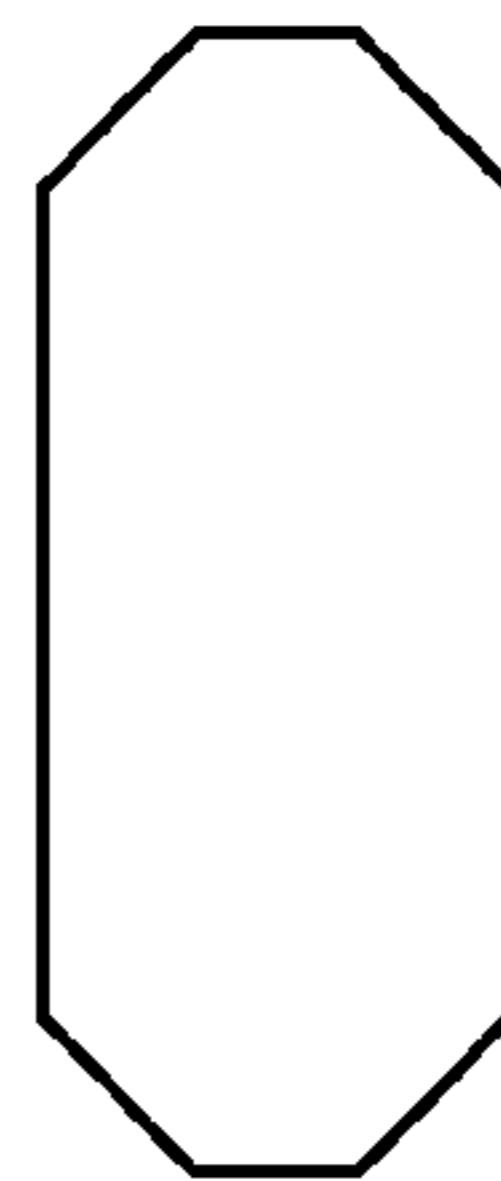


FIG. 11

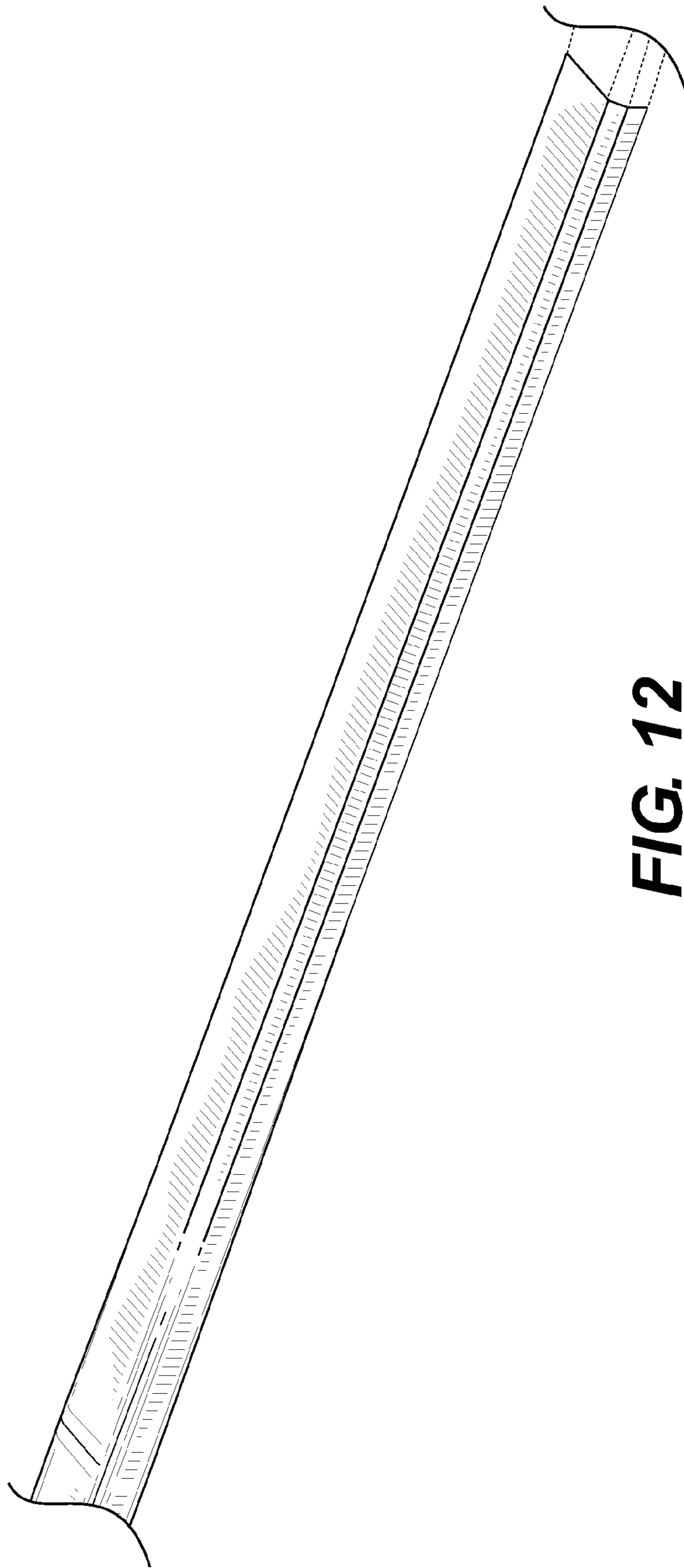


FIG. 12

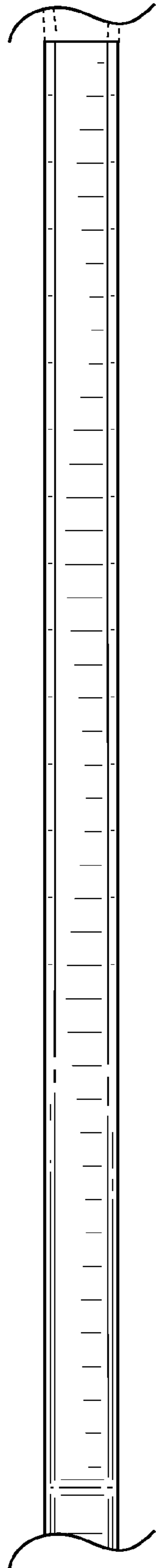


FIG. 13

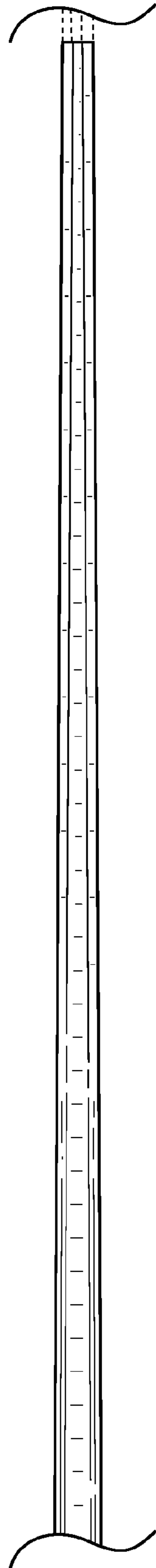


FIG. 14

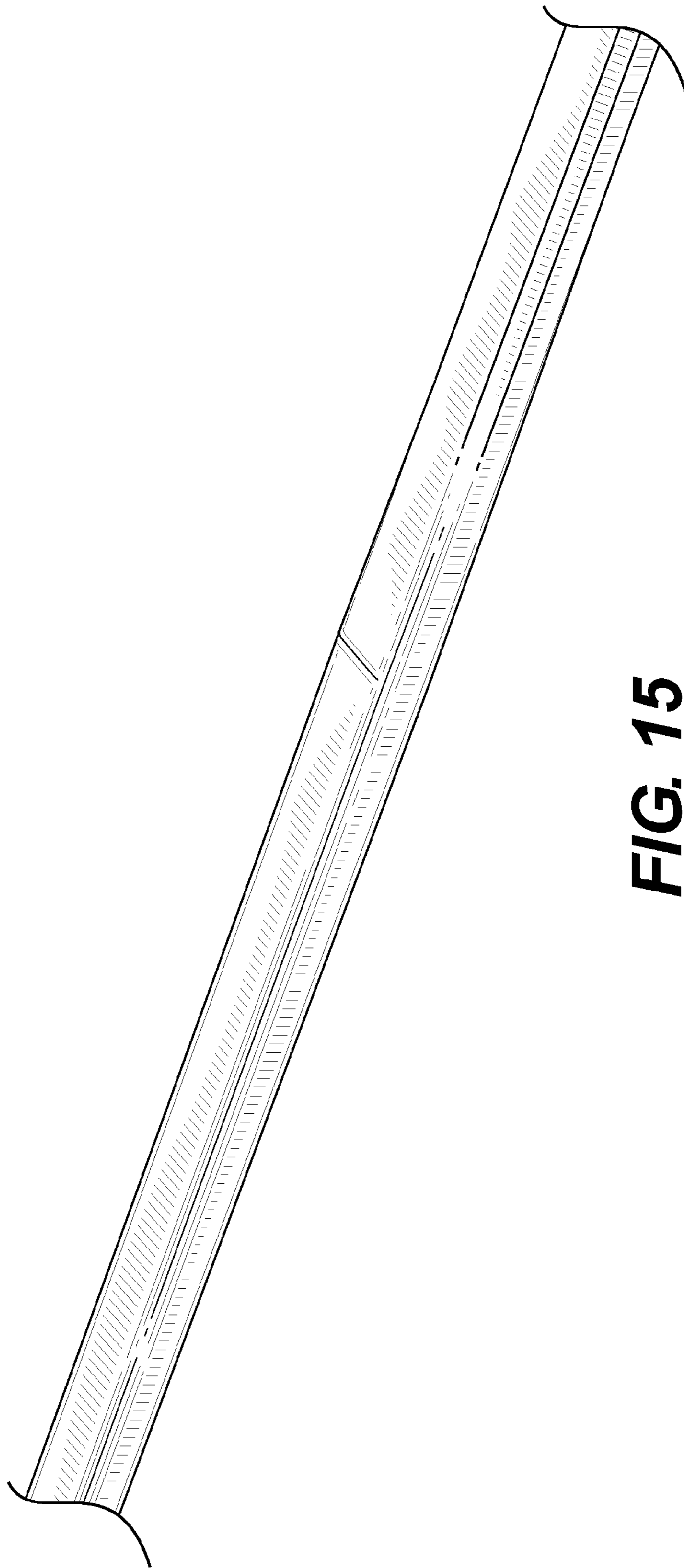


FIG. 15

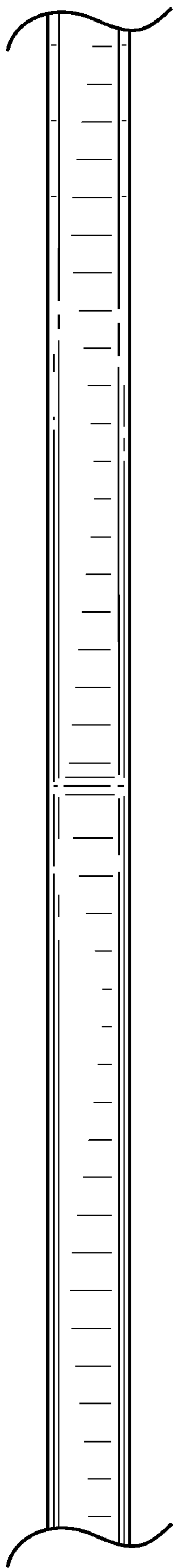


FIG. 16

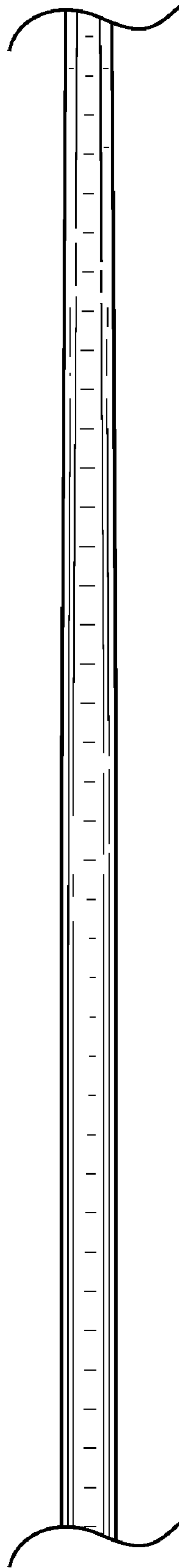


FIG. 17

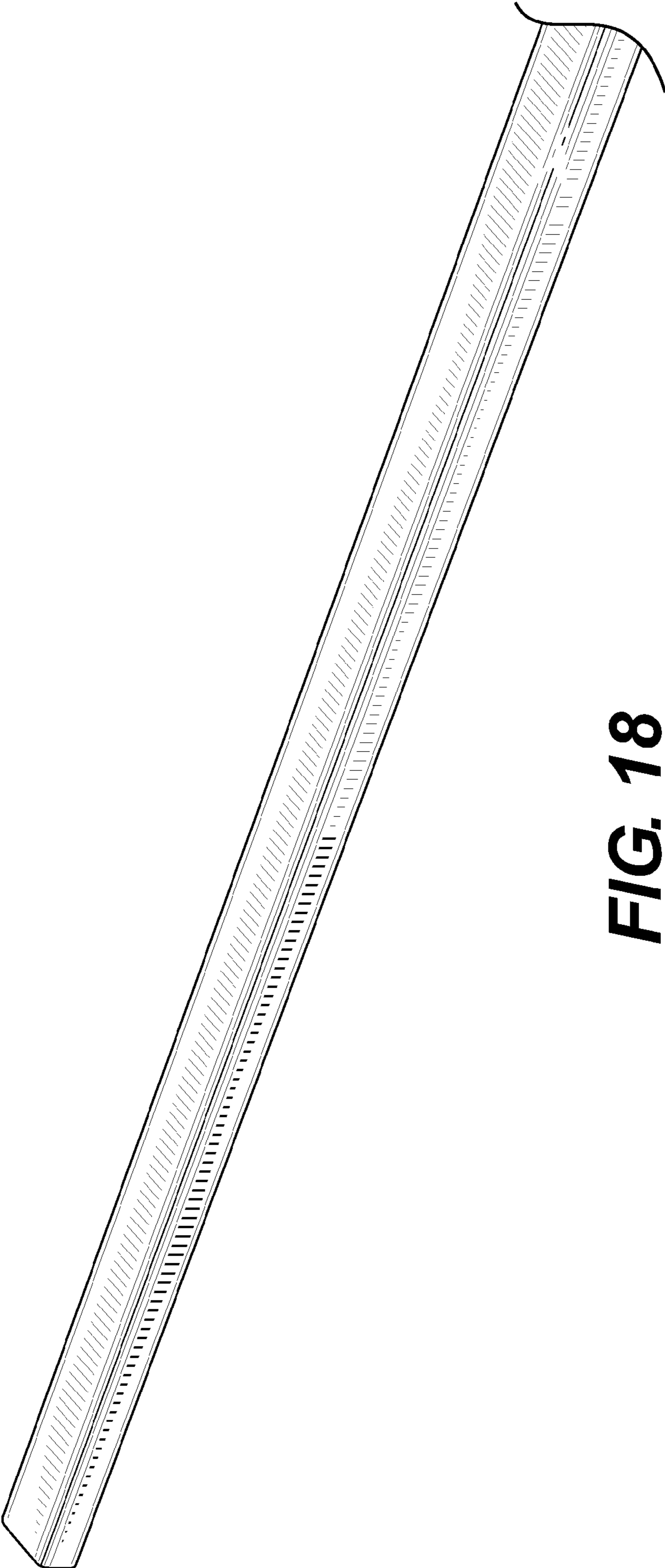


FIG. 18

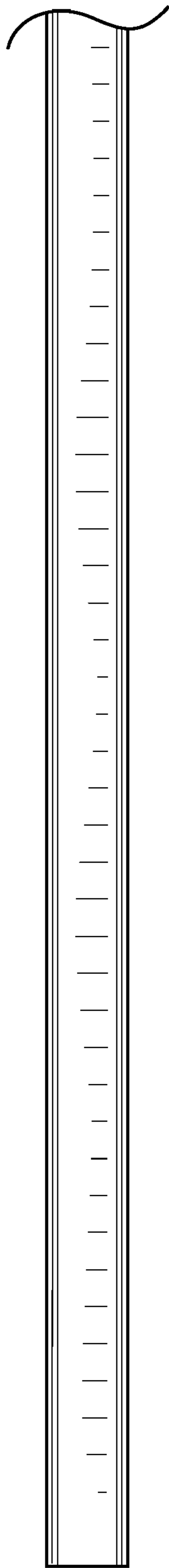


FIG. 19

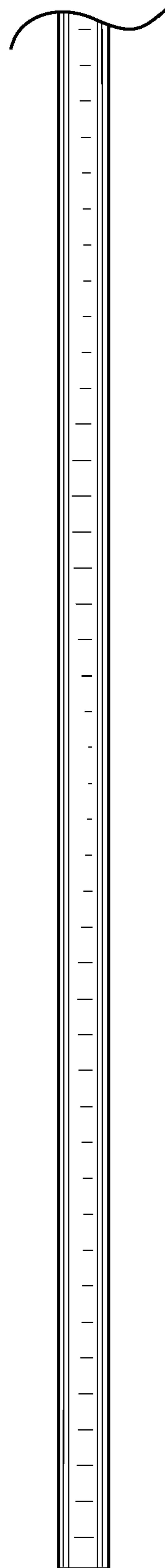


FIG. 20