



US00D594917S

(12) **United States Design Patent**  
**Stellander**

(10) **Patent No.:** **US D594,917 S**

(45) **Date of Patent:** **\*\* Jun. 23, 2009**

(54) **PUTTER HEAD**

D577,398 S \* 9/2008 Hilton ..... D21/744  
D582,497 S \* 12/2008 Rollinson ..... D21/744  
D585,510 S \* 1/2009 Murrieta ..... D21/736

(76) Inventor: **Bernt Stellander**, Skollenborgveien 64,  
N-3619 Skollenborg (NO)

(\*\*) Term: **14 Years**

(21) Appl. No.: **29/319,950**

(22) Filed: **Jun. 18, 2008**

(51) **LOC (9) Cl.** ..... **21-02**

(52) **U.S. Cl.** ..... **D21/743**

(58) **Field of Classification Search** ..... D21/736-746;  
473/324-331, 340-341

See application file for complete search history.

(56) **References Cited**

**U.S. PATENT DOCUMENTS**

D323,867 S \* 2/1992 Rizzotto ..... D21/740  
D421,471 S \* 3/2000 Moldovan ..... D21/744  
6,402,638 B1 \* 6/2002 Kelley ..... 473/330  
D505,702 S \* 5/2005 Wood ..... D21/736  
D517,143 S \* 3/2006 Petsel et al. .... D21/742  
D532,844 S \* 11/2006 Rollinson ..... D21/736  
D532,845 S \* 11/2006 Rollinson ..... D21/736  
D536,400 S \* 2/2007 DiBattista, Sr. .... D21/736  
D573,673 S \* 7/2008 Noyes ..... D21/736  
D574,908 S \* 8/2008 Hettinger et al. .... D21/743

\* cited by examiner

*Primary Examiner*—Mitchell I Siegel

(74) *Attorney, Agent, or Firm*—Christian Abel

(57) **CLAIM**

The ornamental design for a putter head, as shown.

**DESCRIPTION**

FIG. 1 is a perspective view of a putter head.

FIG. 2 is another perspective view thereof.

FIG. 3 is a top plan view thereof.

FIG. 4 is a bottom plan view thereof.

FIG. 5 is a rear elevational view thereof.

FIG. 6 is a front elevational view thereof.

FIG. 7 is a side elevational view thereof

FIG. 8 is another side elevational view thereof; and,

FIG. 9 is a cross sectional perspective view taken along line 9—9 of FIG. 3.

**1 Claim, 5 Drawing Sheets**

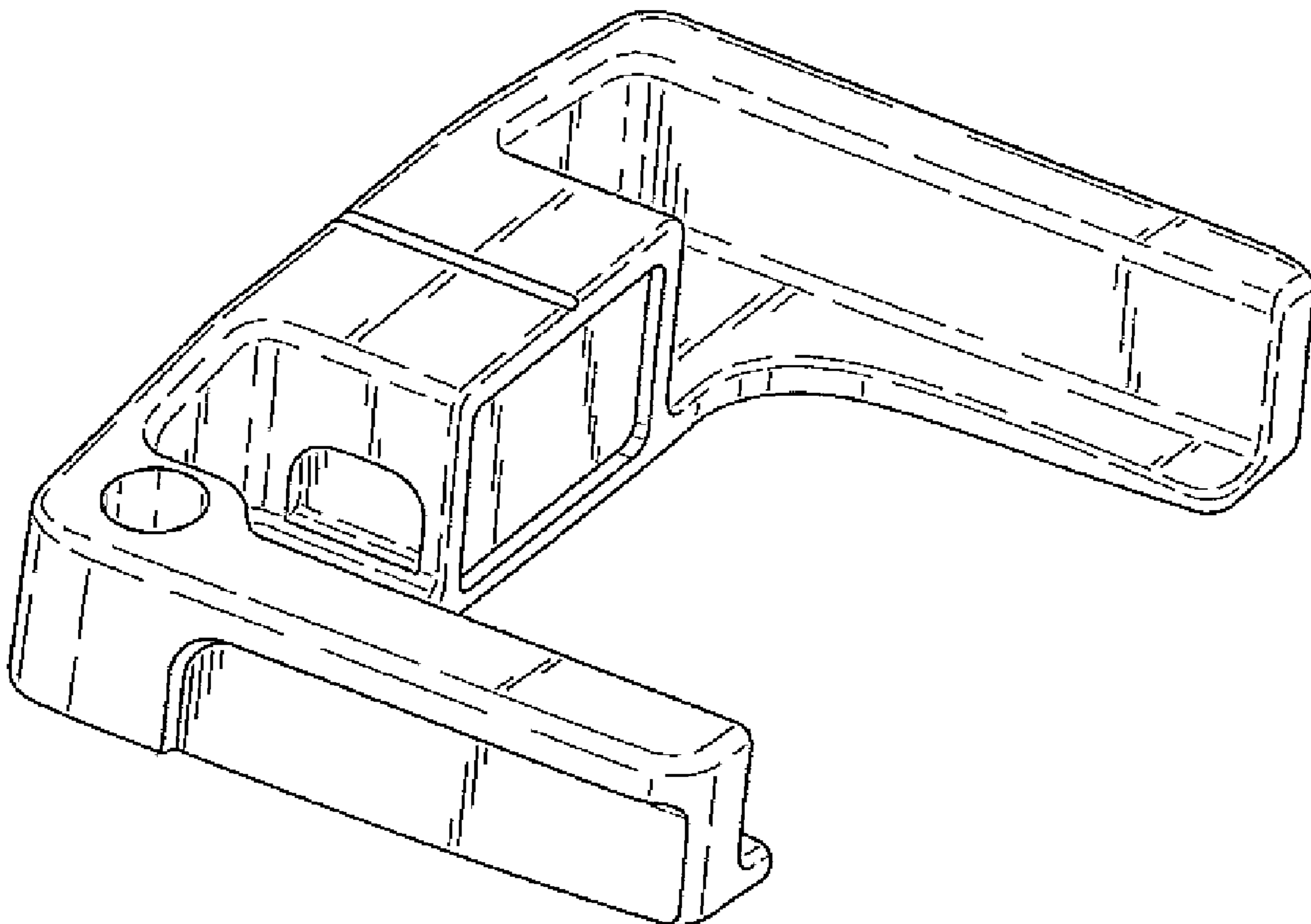


Fig.1.

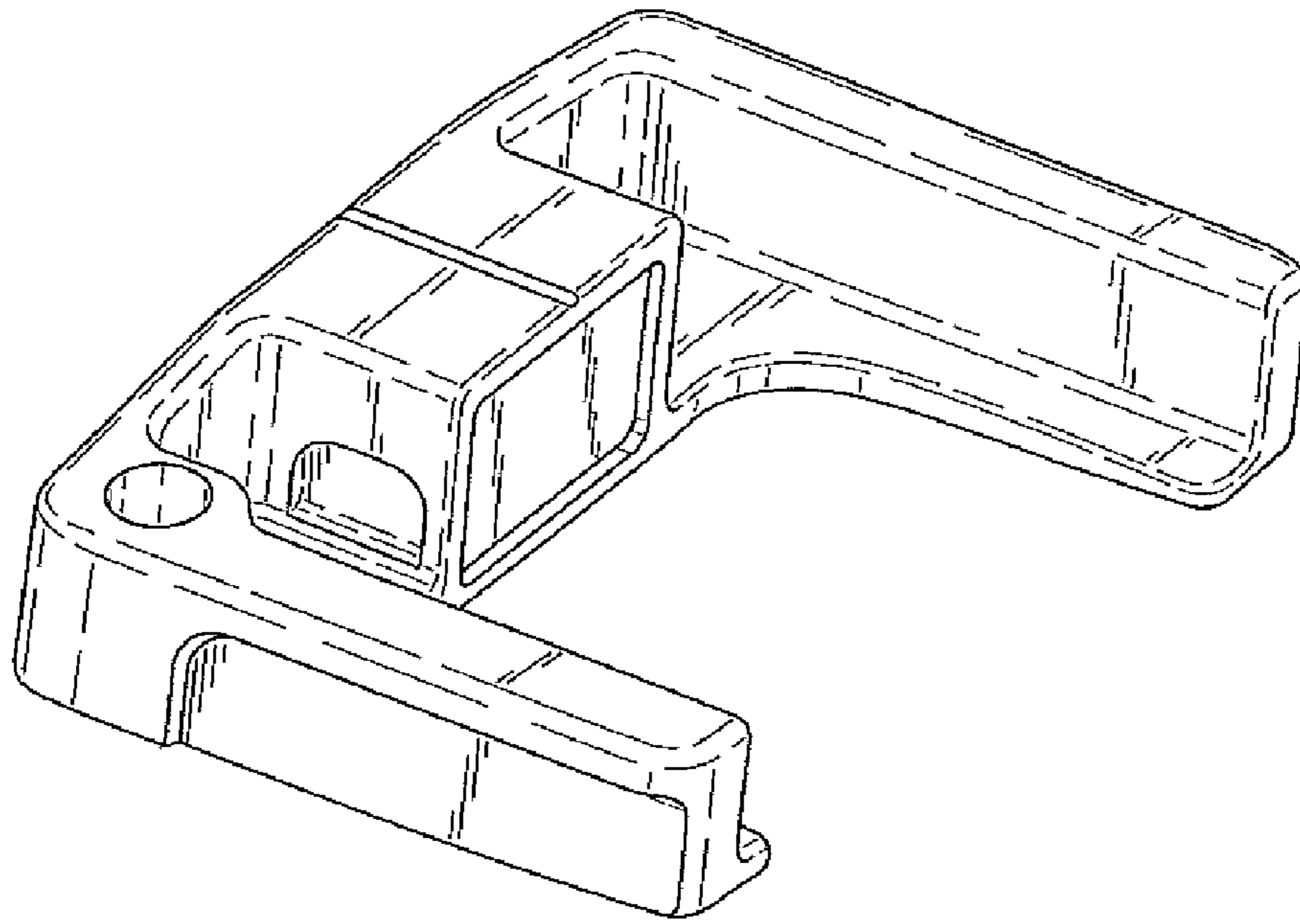


Fig.2.

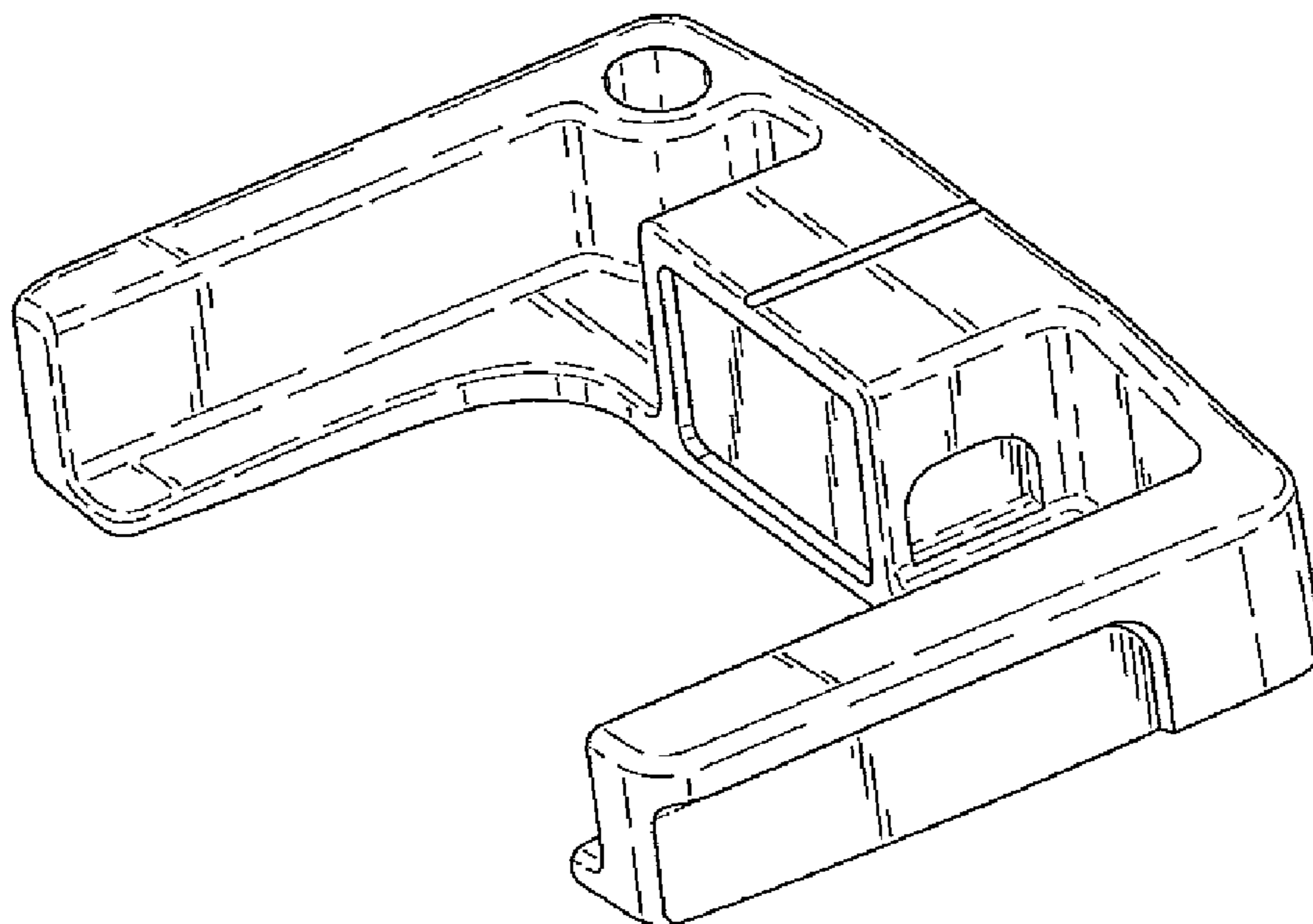


Fig.3.

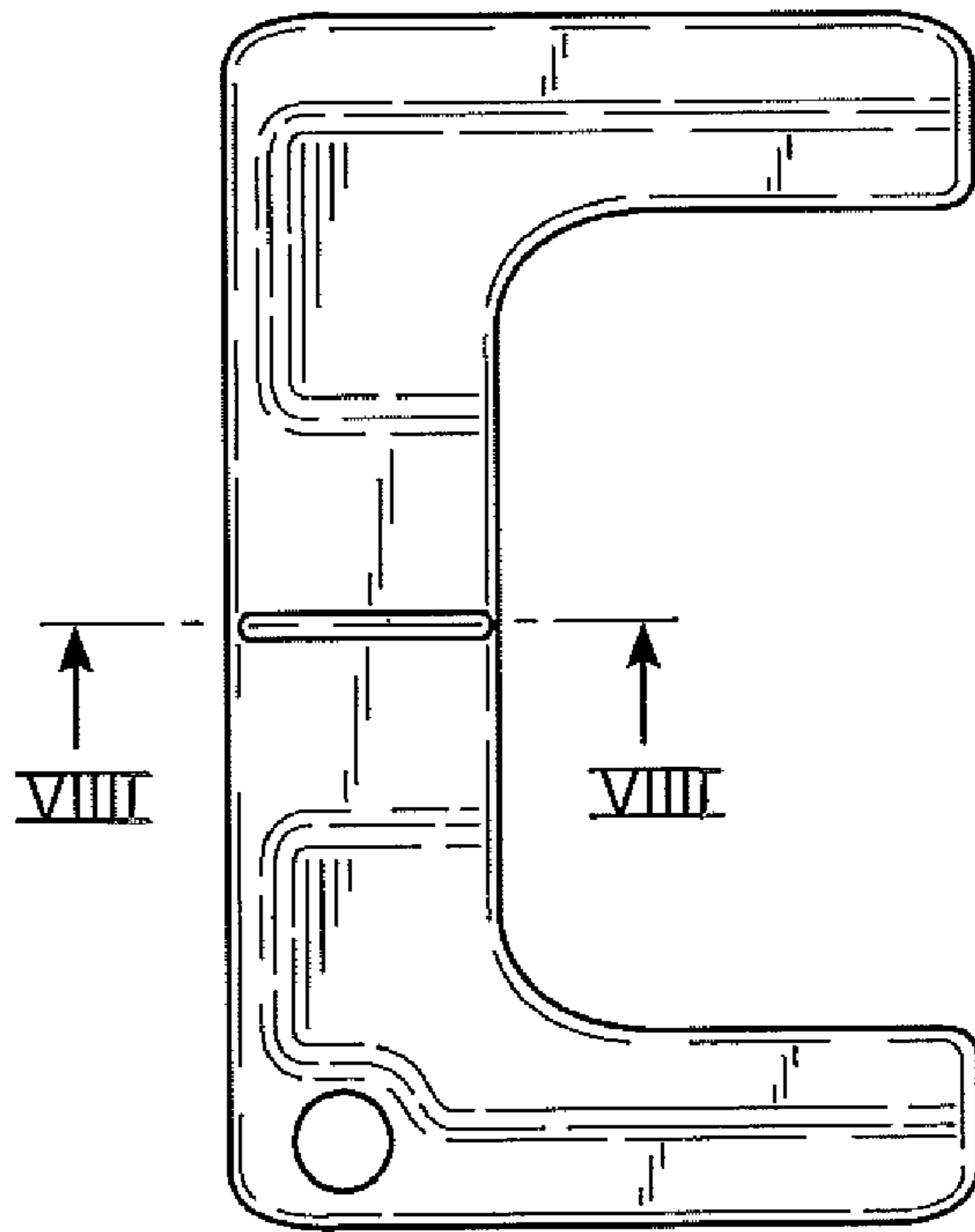


Fig.4.

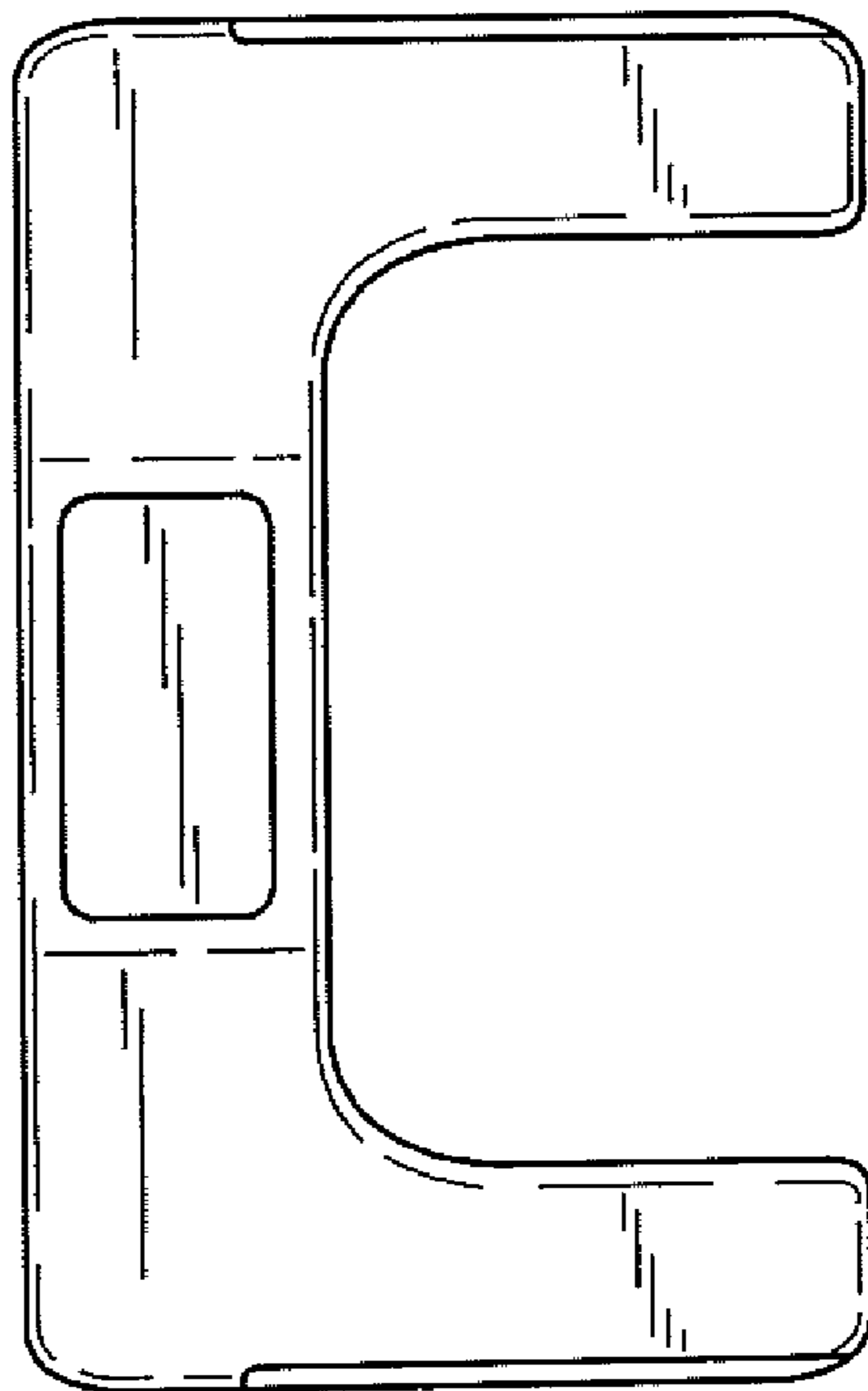


Fig.5.

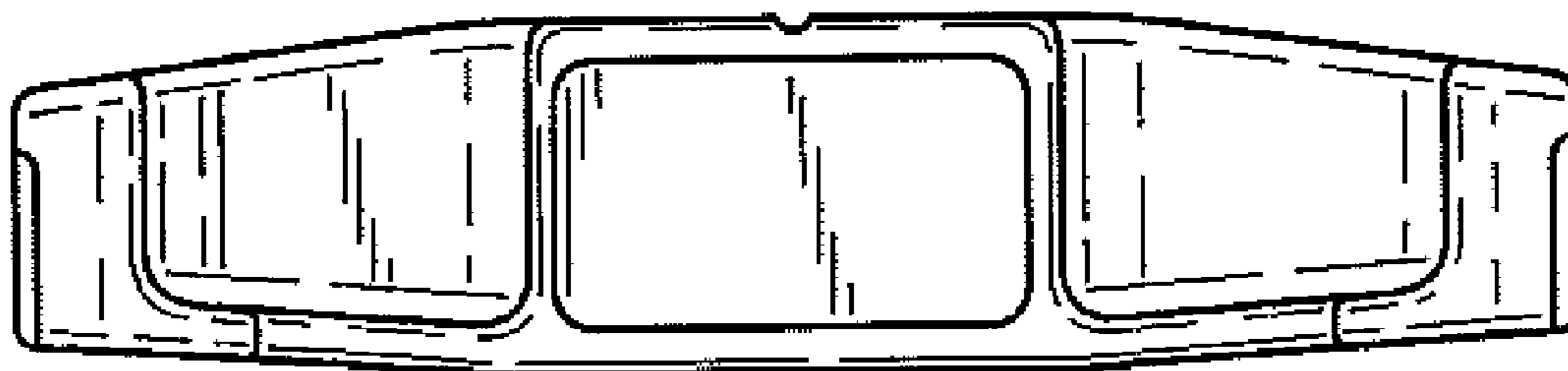


Fig.6.

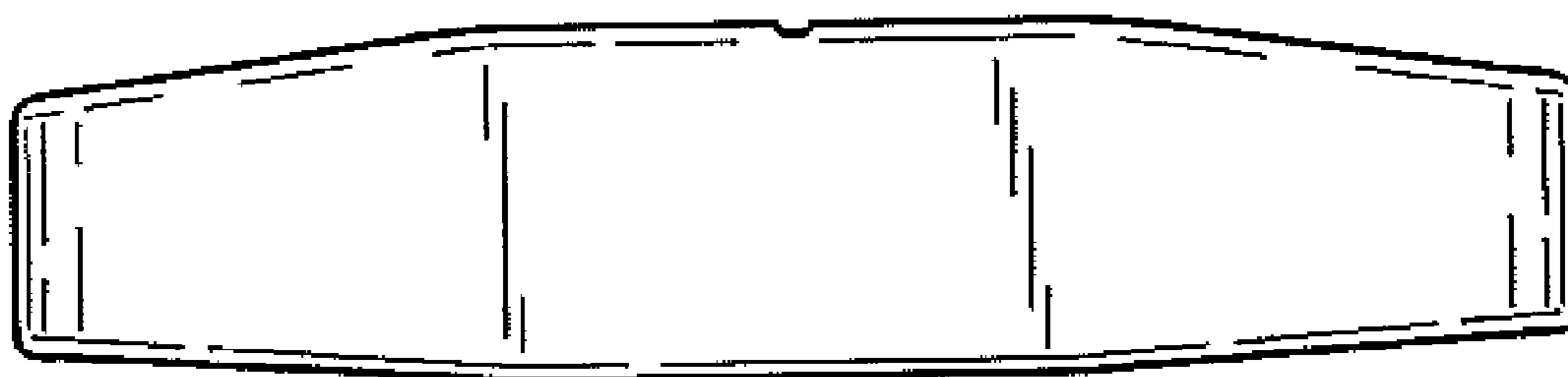


Fig. 7.

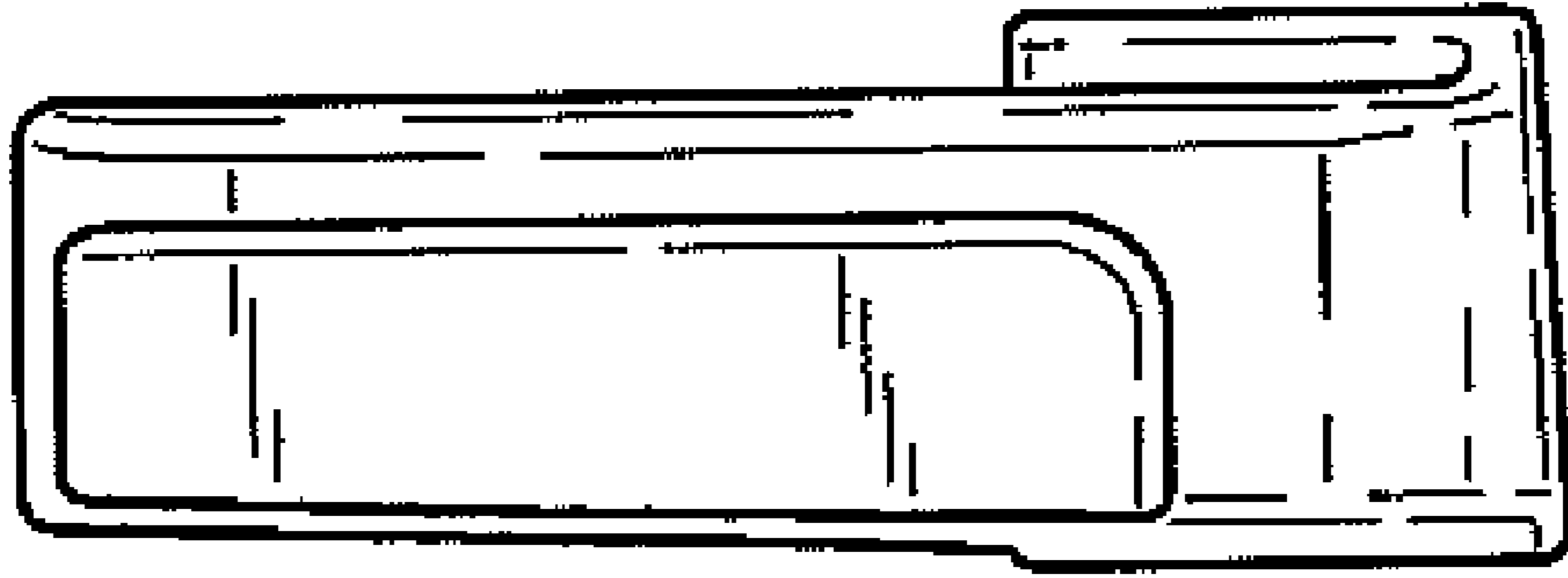


Fig. 8.

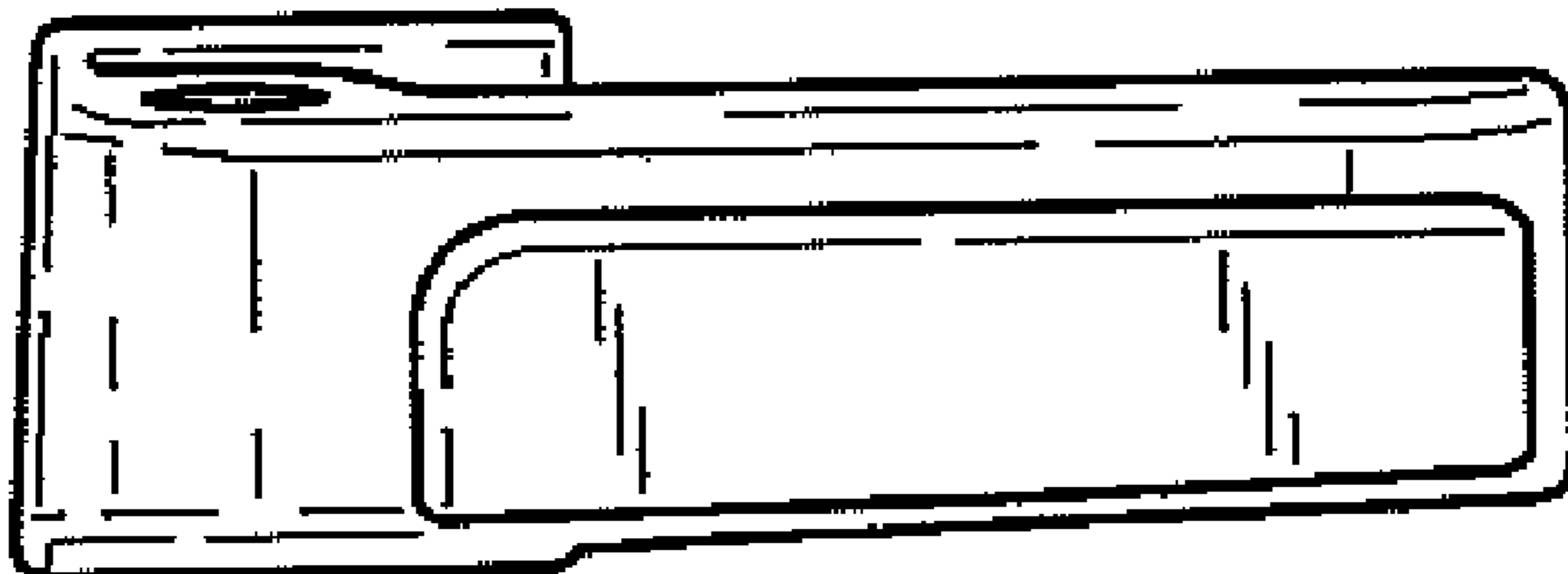


Fig.9.

