



US00D594914S

(12) **United States Design Patent**
Choi et al.

(10) **Patent No.:** **US D594,914 S**

(45) **Date of Patent:** **** Jun. 23, 2009**

(54) **RIB TOP DASHED SIDE PAINTBALL MARKER**

(76) Inventors: **Arron Choi**, 18J, Tower 4, Grand View Garden, 185 Hammer Hill Road, Diamond Hill, Kowloon (HK); **Rick Dochterman**, #1 Witney La., Bella Vista, AR (US) 72714; **Jason Alexander**, 110 Rob St., Farmington, AR (US) 72750

(**) Term: **14 Years**

(21) Appl. No.: **29/307,604**

(22) Filed: **Apr. 29, 2008**

(51) **LOC (9) Cl.** **21-01**

(52) **U.S. Cl.** **D21/573**

(58) **Field of Classification Search** D21/567,
D21/570, 573, 574; D22/100, 101, 103,
D22/104, 105, 108, 109; 124/41.1, 45, 49,
124/51.1, 55, 56, 69, 70-74, 79

See application file for complete search history.

(56) **References Cited**

U.S. PATENT DOCUMENTS

D482,081 S * 11/2003 Chang D21/573
D482,082 S * 11/2003 Chang D21/573
D482,743 S * 11/2003 Chang D21/573
D512,110 S * 11/2005 Broesma D21/573

D512,751 S * 12/2005 Malmloff D21/573
D515,149 S * 2/2006 Orr D21/573
D539,361 S * 3/2007 Orr D21/573
D557,754 S * 12/2007 Halmone et al. D21/573
D558,837 S * 1/2008 Orr D21/573
D559,335 S * 1/2008 Orr D21/573
2008/0105245 A1 * 5/2008 Cole 124/77

* cited by examiner

Primary Examiner—Holly H Baynham

Assistant Examiner—Cynthia M Chin

(74) *Attorney, Agent, or Firm*—Keisling Pieper & Scott PLC;
David B. Pieper; Trent C. Keisling

(57) **CLAIM**

The ornamental design for a rib top dashed side paintball marker, as shown and described.

DESCRIPTION

FIG. 1 is a top view of a rib top dashed side paintball marker showing my new design;

FIG. 2 is a left side view thereof;

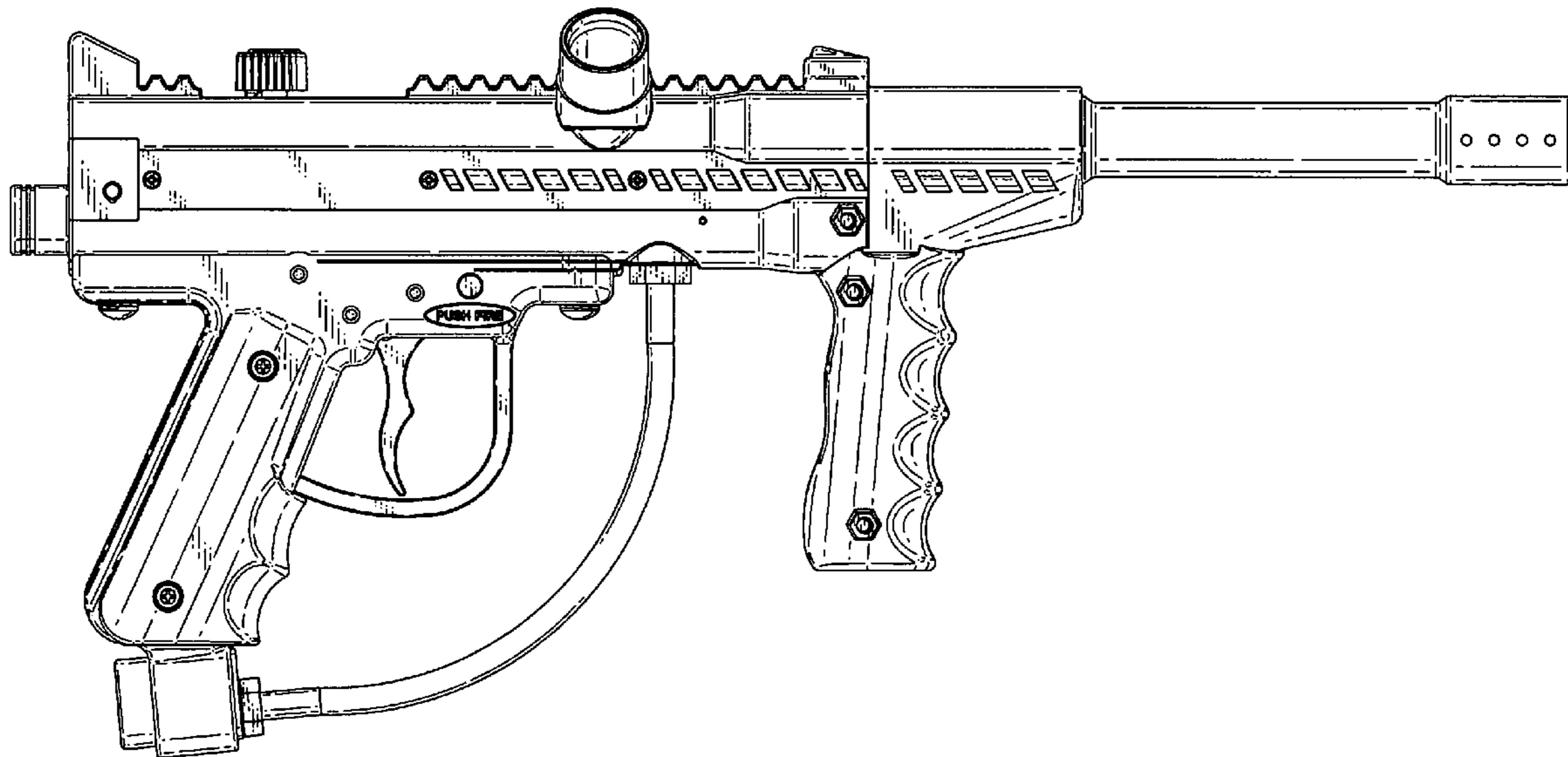
FIG. 3 is a back side view thereof;

FIG. 4 is a right view thereof;

FIG. 5 is a front side view thereof; and,

FIG. 6 is a bottom view thereof.

1 Claim, 6 Drawing Sheets



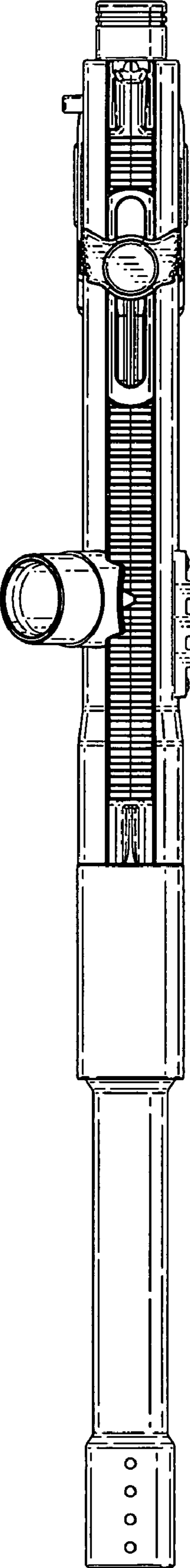


FIG. 1

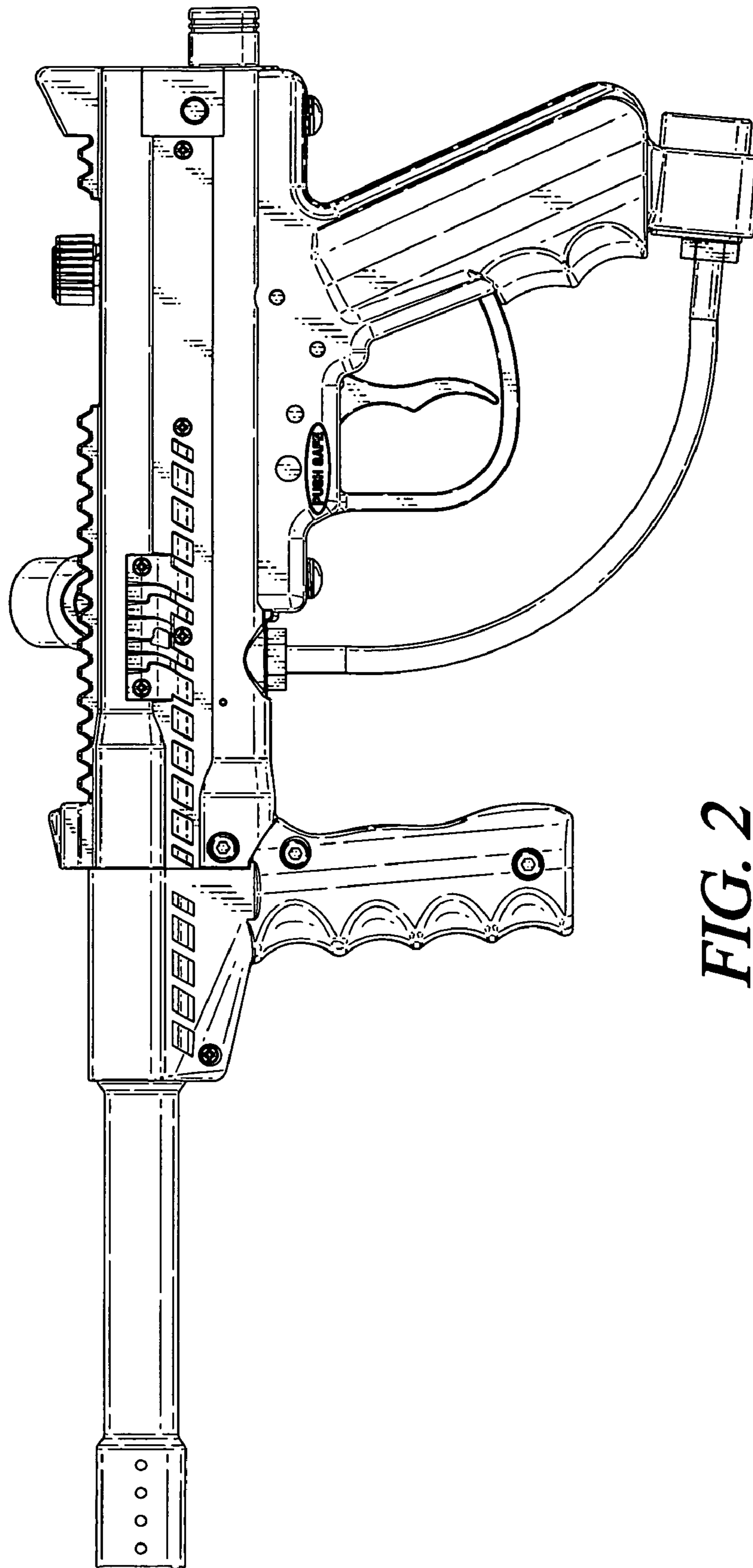


FIG. 2

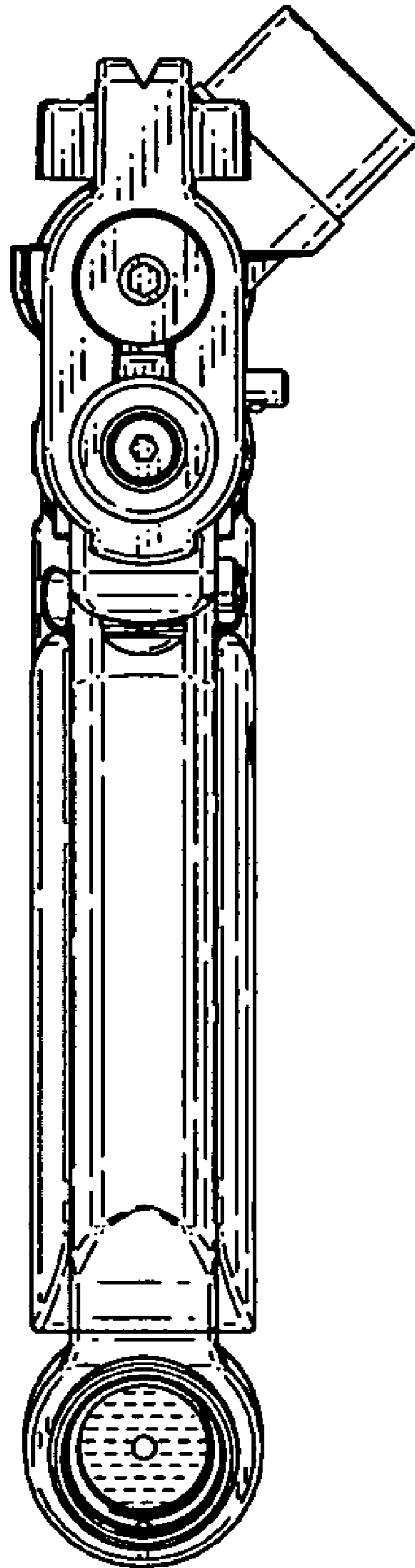


FIG. 3

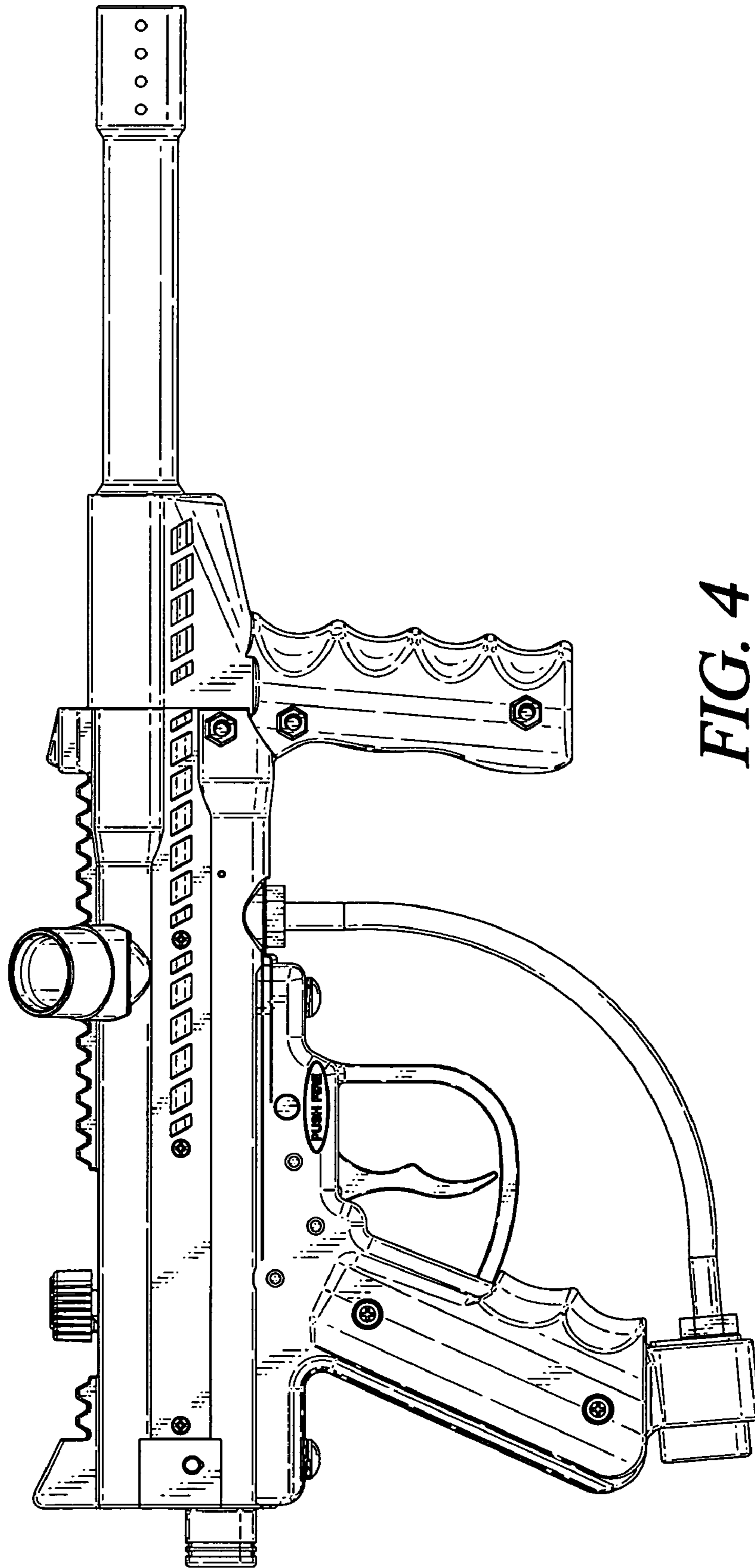


FIG. 4

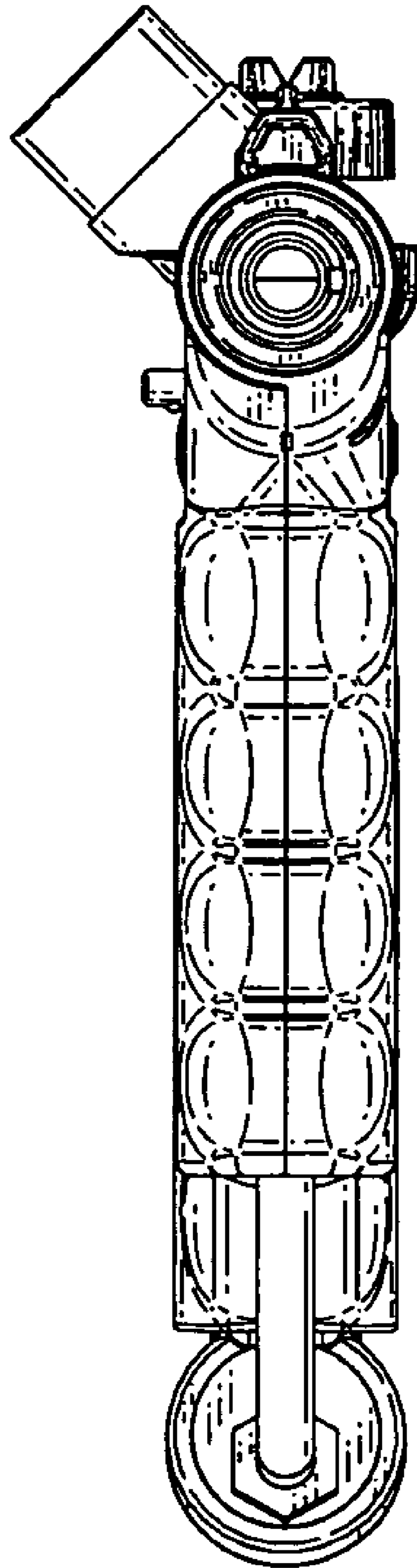


FIG. 5

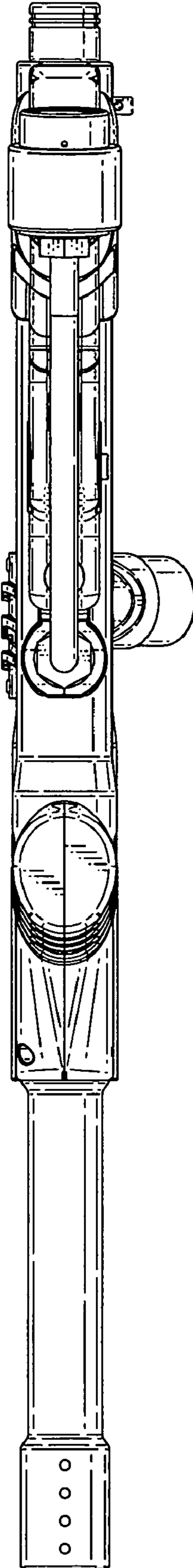


FIG. 6