



US00D594913S

(12) **United States Design Patent**
Oren et al.

(10) **Patent No.:** **US D594,913 S**
(45) **Date of Patent:** **** Jun. 23, 2009**

(54) **MOBILE**

(75) Inventors: **Shoshana Oren**, Herzeliya (IL); **Maxim Holtzman**, Jerusalem (IL)

(73) Assignee: **Tiny Love Ltd.**, Tel Aviv (IL)

(**) Term: **14 Years**

(21) Appl. No.: **29/309,946**

(22) Filed: **Nov. 19, 2008**

D461,854 S	8/2002	Myers	
6,431,939 B1 *	8/2002	Roh et al.	446/236
6,464,594 B1 *	10/2002	Canna et al.	472/119
6,769,952 B1 *	8/2004	Drosendahl et al.	446/227
7,172,486 B2 *	2/2007	Drosendahl et al.	446/81
D577,081 S *	9/2008	Henriksson et al.	D21/476
2002/0094748 A1 *	7/2002	Baik	446/227
2004/0005839 A1 *	1/2004	Oren et al.	446/227
2005/0148278 A1 *	7/2005	Drobinski et al.	446/227
2006/0178082 A1 *	8/2006	Saade	446/227
2006/0199468 A1 *	9/2006	Mastrosimone-Gese	446/227
2006/0264148 A1 *	11/2006	Sejnowski et al.	446/227
2008/0176480 A1 *	7/2008	Gelfond et al.	446/227

* cited by examiner

Related U.S. Application Data

(62) Division of application No. 29/309,143, filed on Jun. 26, 2008.

(51) **LOC (9) Cl.** **21-01**

(52) **U.S. Cl.** **D21/467; D21/476**

(58) **Field of Classification Search** D21/405,
D21/455, 465-477; D11/141; 446/175,
446/227, 228, 229, 236, 242, 484, 489; 40/411,
40/414, 455, 457, 473, 493, 499
See application file for complete search history.

(56) **References Cited**

U.S. PATENT DOCUMENTS

D236,141 S *	7/1975	Snyder	D21/475
3,919,795 A *	11/1975	Van Horne Jinivisian et al.	40/473
4,836,818 A *	6/1989	Piolata	446/236
5,029,047 A	7/1991	Kachel	
5,672,088 A *	9/1997	Chininis	446/227
6,413,141 B1 *	7/2002	Putney	446/227

Primary Examiner—Catherine Tuttle

(74) *Attorney, Agent, or Firm*—The Nath Law Group;
Susanne M. Hopkins; Derek Richmond

(57) **CLAIM**

The ornamental design for a mobile, as shown.

DESCRIPTION

FIG. 1 is a perspective view of the mobile showing our new design;

FIG. 2 is a front view of the mobile seen in FIG. 1;

FIG. 3 is a right side view of the mobile seen in FIG. 1;

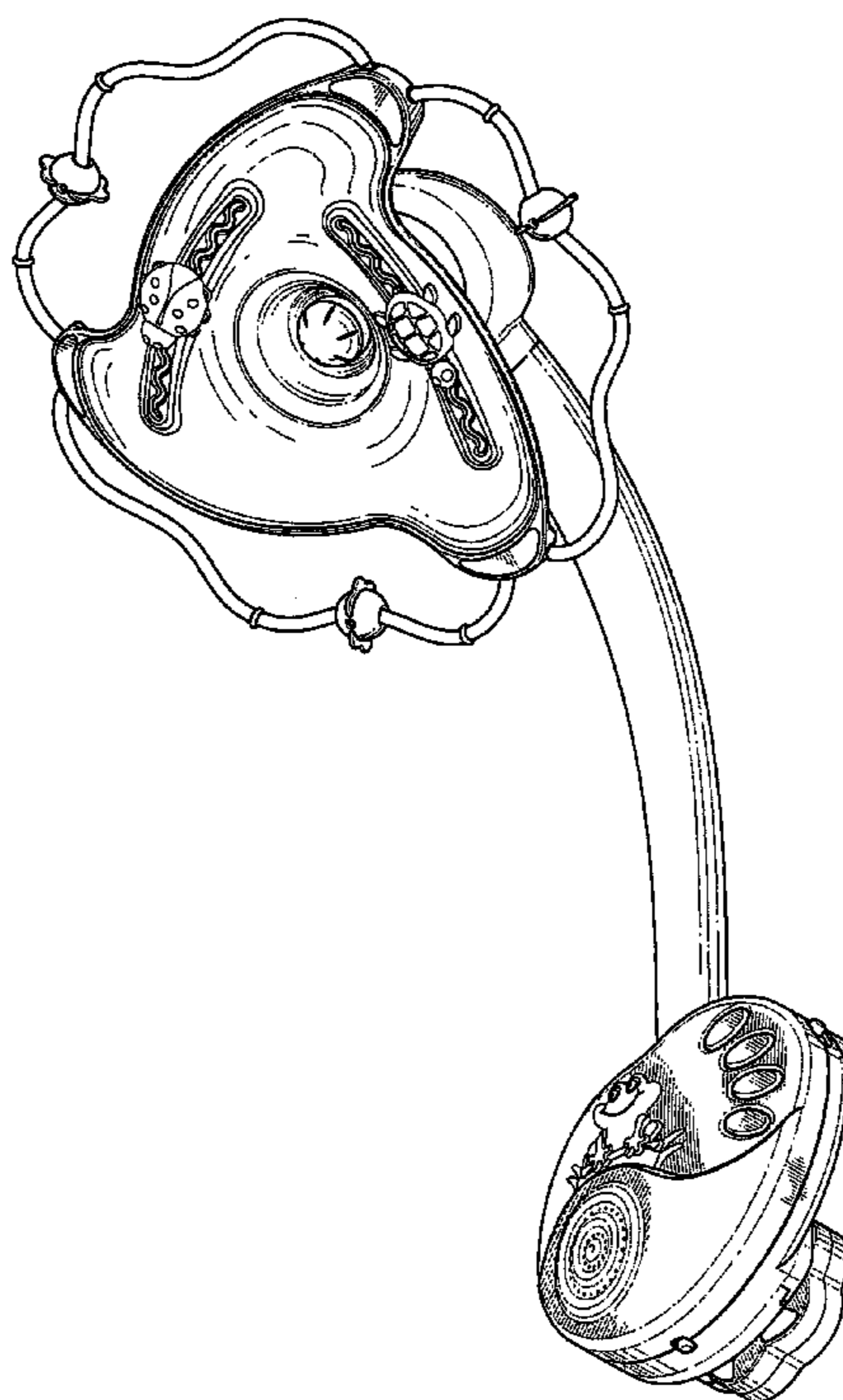
FIG. 4 is a left side view of the mobile seen in FIG. 1;

FIG. 5 is a top view of the mobile seen in FIG. 1;

FIG. 6 is a bottom view of the mobile seen in FIG. 1; and,

FIG. 7 is a rear view of the mobile seen in FIG. 1.

1 Claim, 7 Drawing Sheets



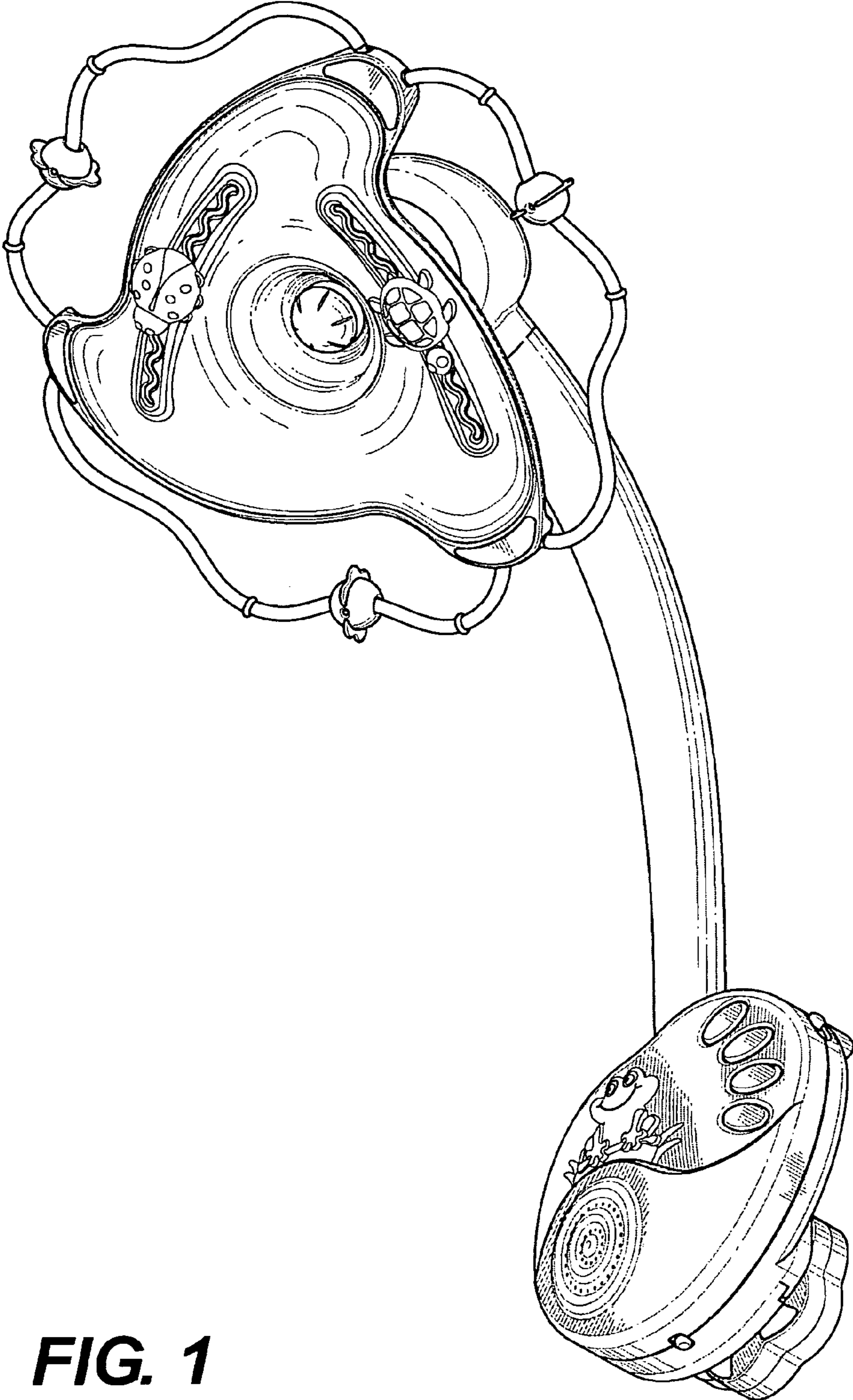


FIG. 1

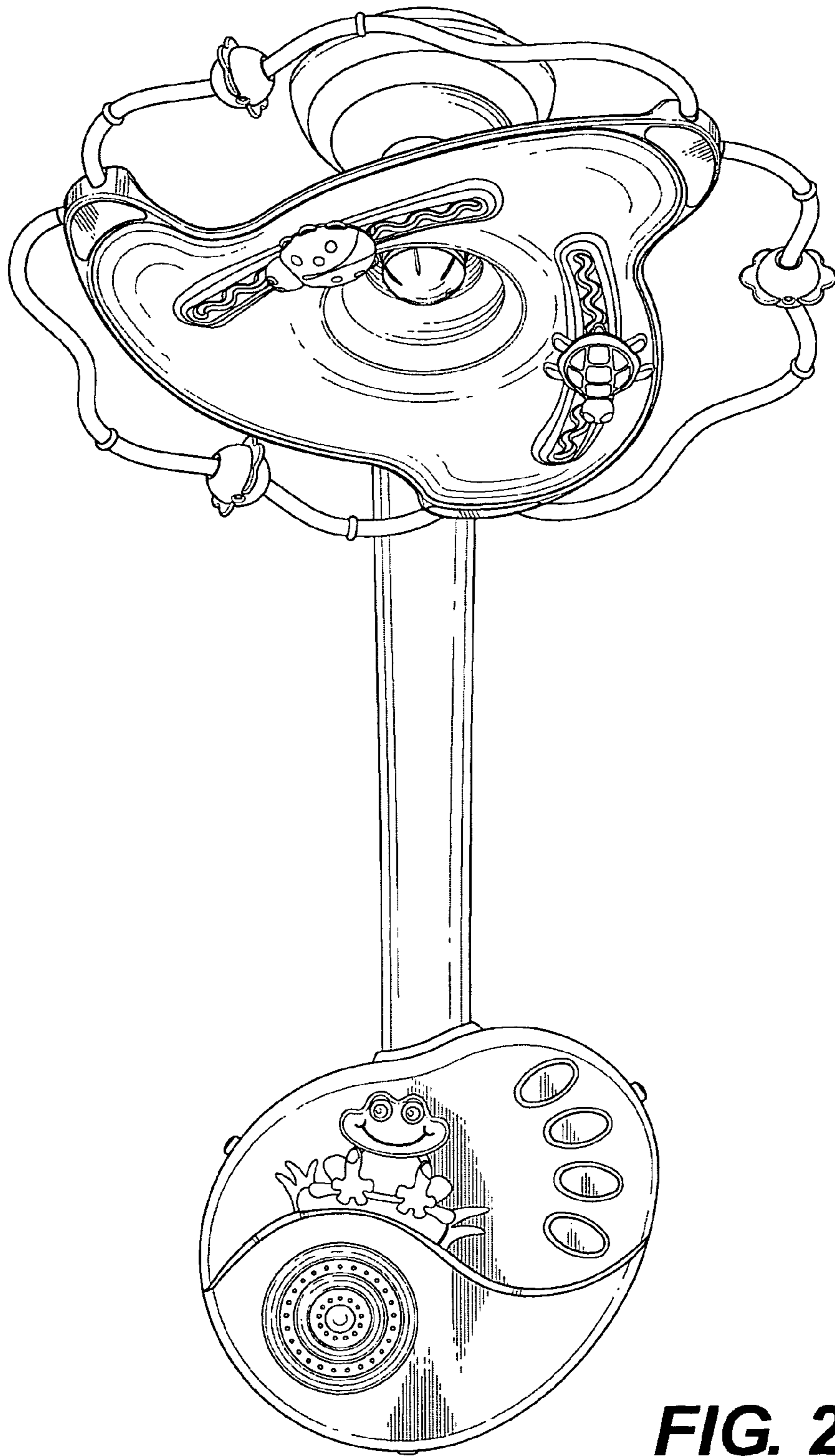


FIG. 2

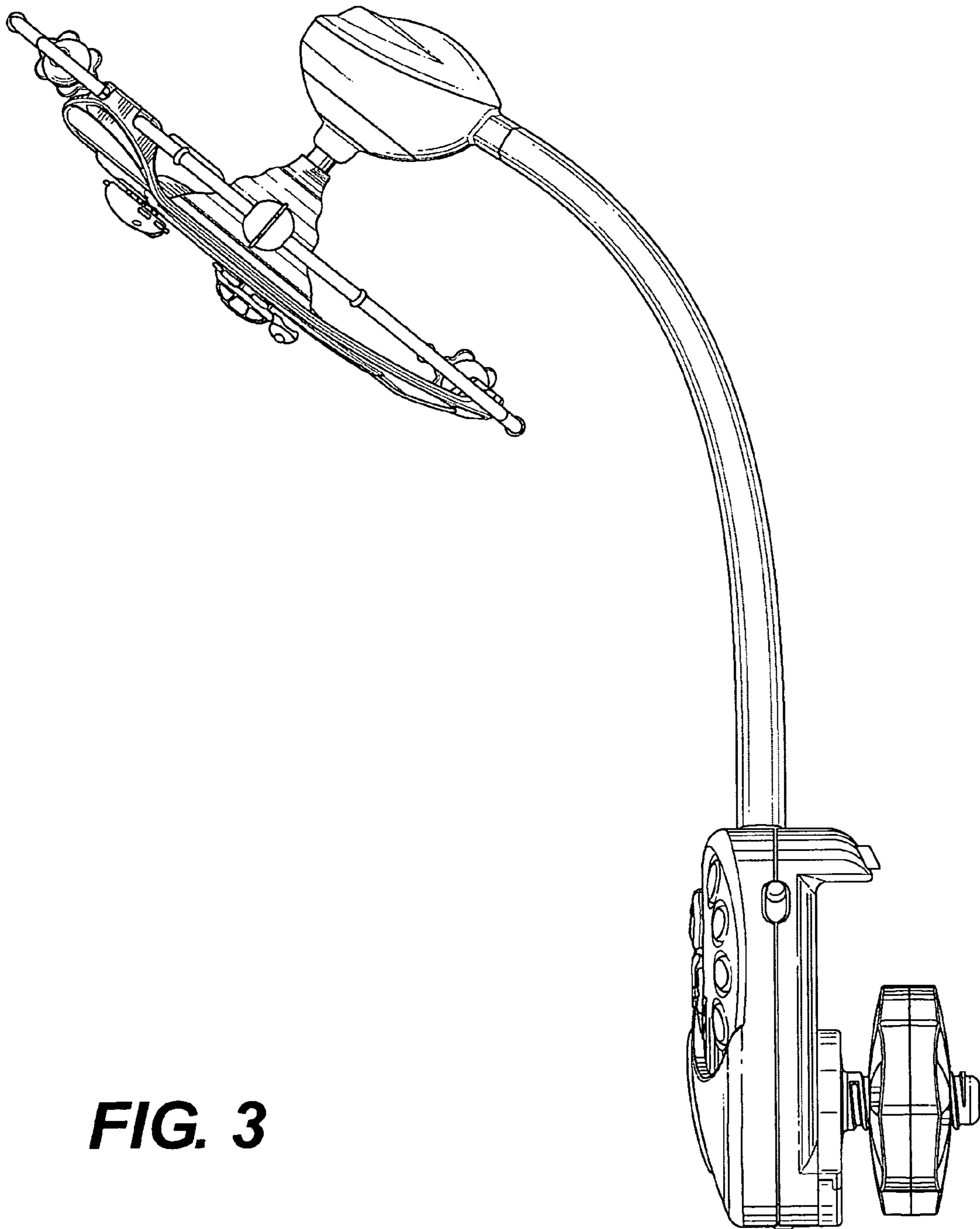


FIG. 3

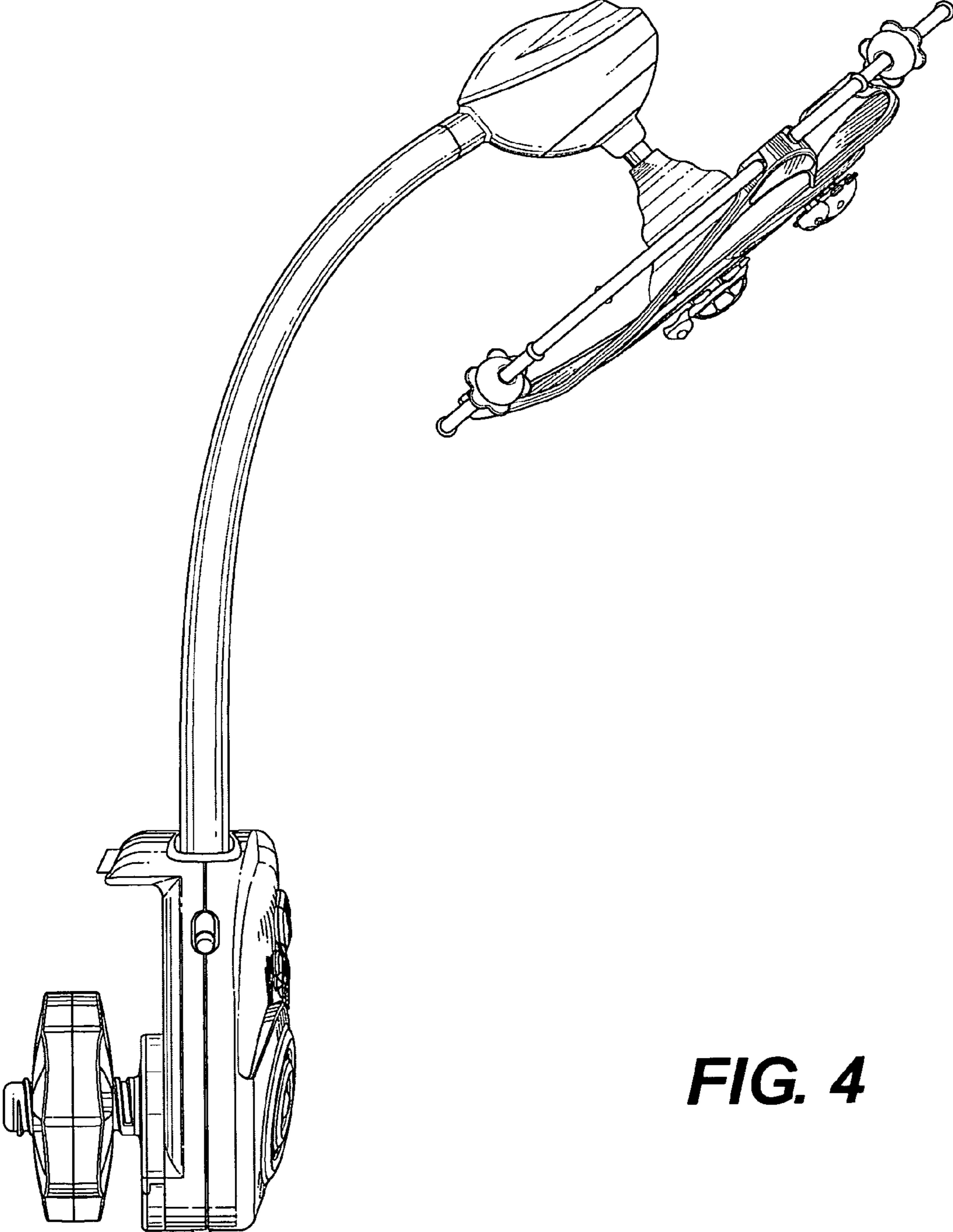


FIG. 4

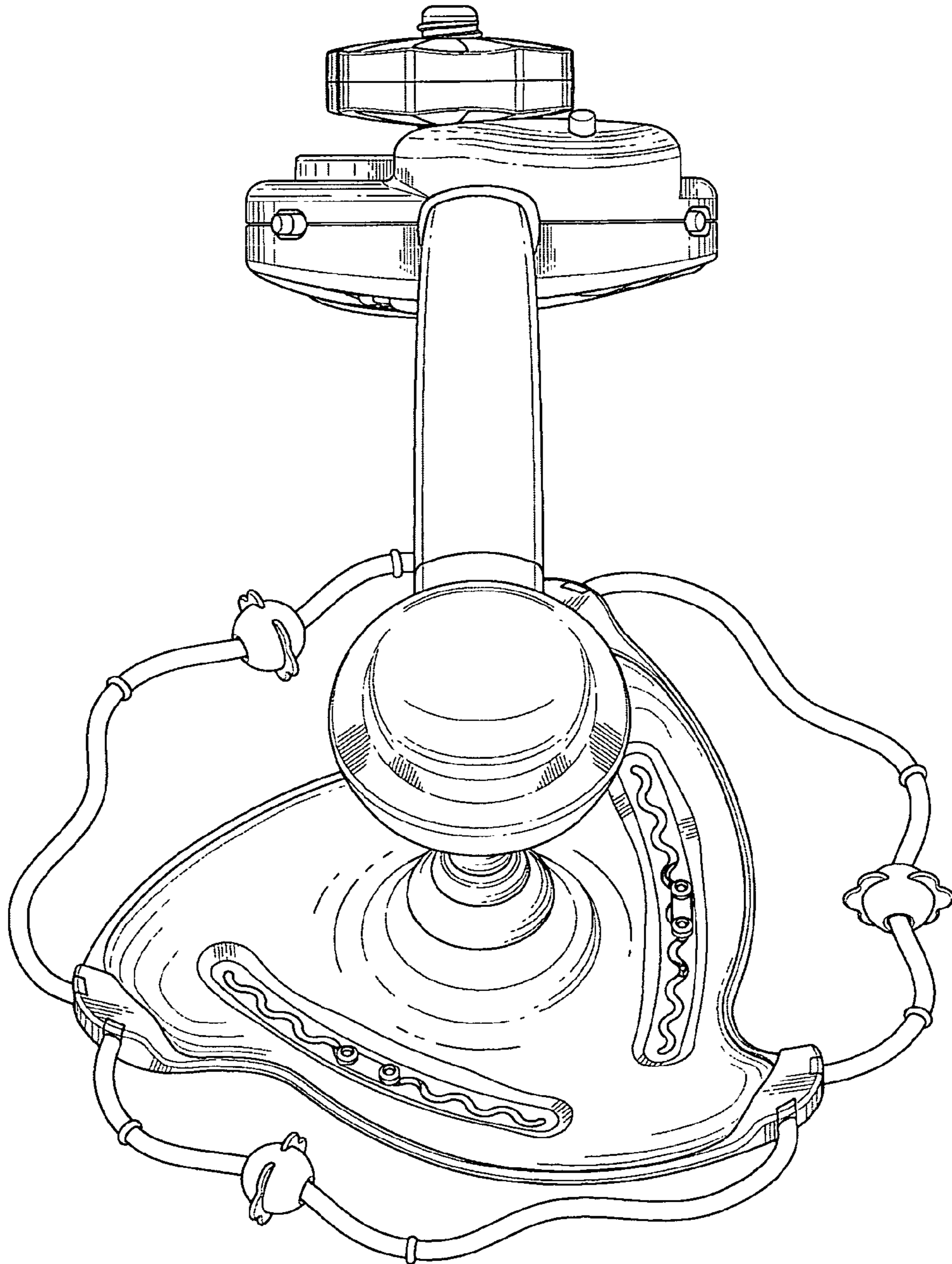


FIG. 5

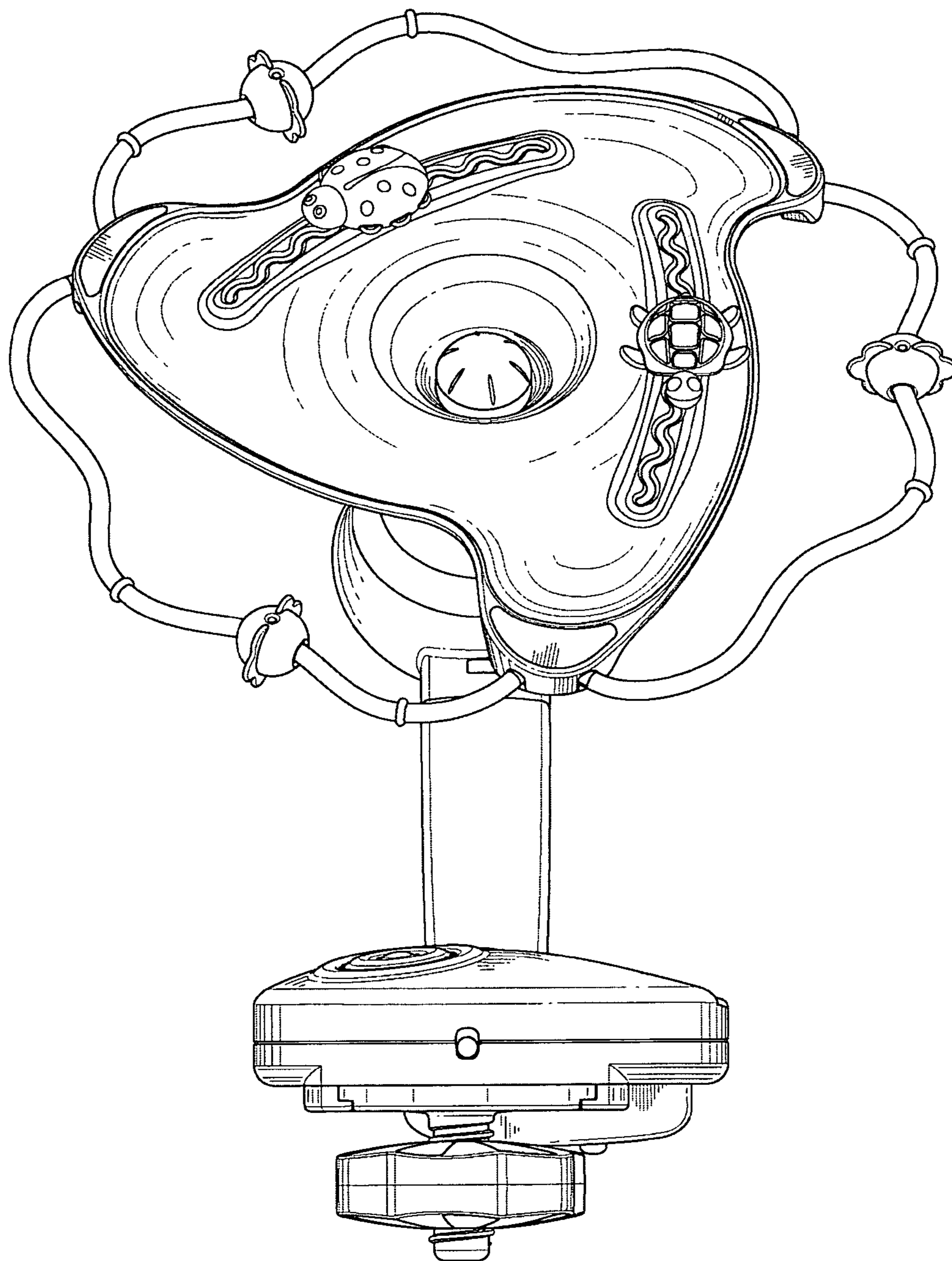


FIG. 6

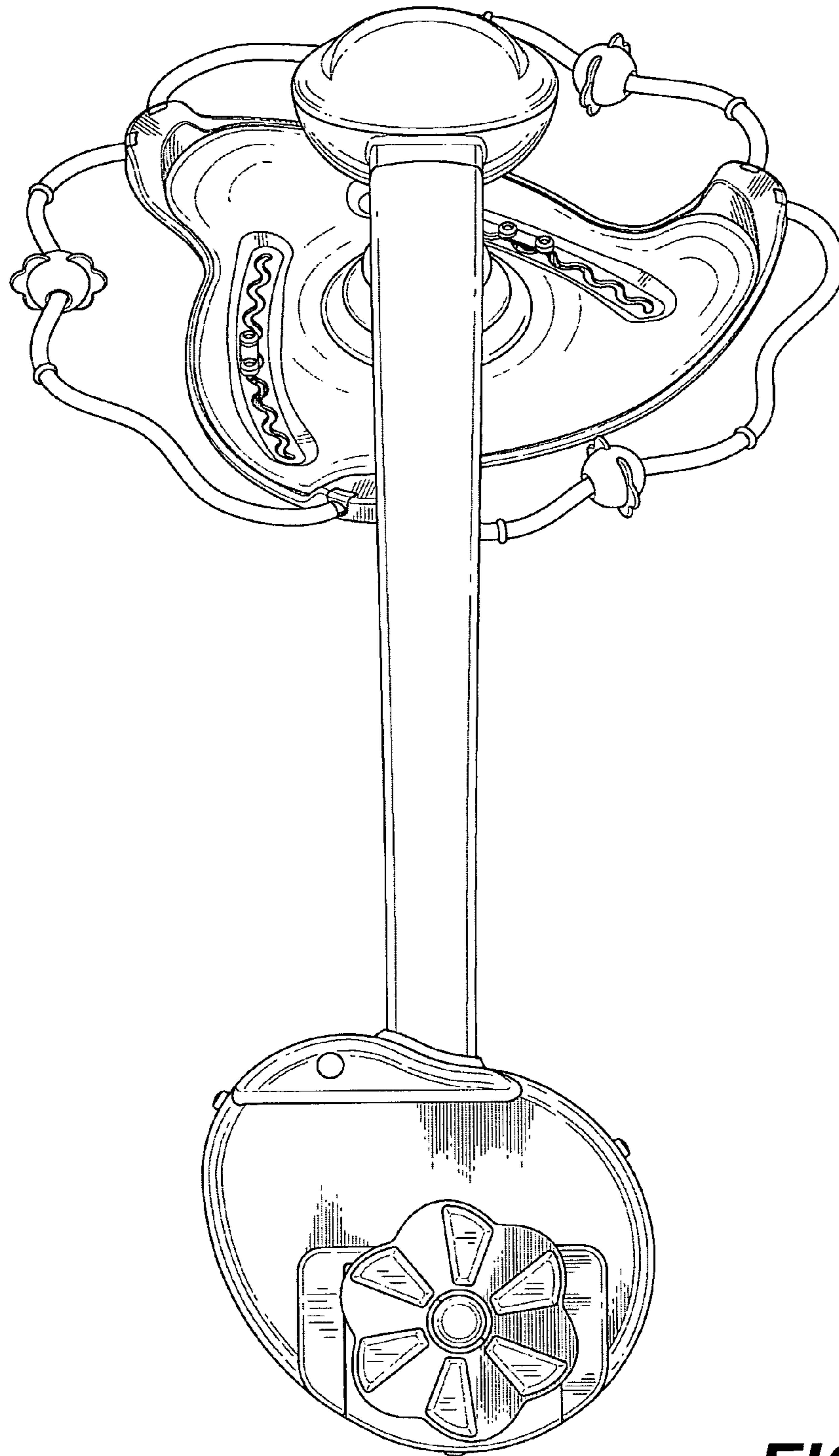


FIG. 7