



US00D594910S

(12) **United States Design Patent**
Bloomer

(10) **Patent No.:** **US D594,910 S**
(45) **Date of Patent:** **** Jun. 23, 2009**

(54) **GAME BOARD**

(75) Inventor: **Dale A. Bloomer**, Birmingham, AL (US)

(73) Assignee: **U-N-I Games, LLC**, Birmingham, AL (US)

(**) Term: **14 Years**

(21) Appl. No.: **29/306,030**

(22) Filed: **Apr. 1, 2008**

(51) **LOC (9) Cl.** **21-01**

(52) **U.S. Cl.** **D21/334; D21/365**

(58) **Field of Classification Search** **D21/334-368, D21/385; 273/236-288**

See application file for complete search history.

(56) **References Cited**

U.S. PATENT DOCUMENTS

2,497,341	A *	2/1950	Bisson	273/287
4,415,161	A *	11/1983	Westell	273/285
4,489,946	A *	12/1984	Ortiz Burgos	273/249
5,295,691	A *	3/1994	Mitsui	273/283
5,409,325	A	4/1995	Wu		
5,536,009	A *	7/1996	Edwards	273/287
5,853,375	A	12/1998	Orr		
6,776,414	B1	8/2004	Messac		
7,156,395	B1 *	1/2007	Rosado-Galarza	273/284

* cited by examiner

Primary Examiner—Sandra Morris

(74) *Attorney, Agent, or Firm*—Kenneth M. Bush; Bush Intellectual Property Law

(57) **CLAIM**

The ornamental design for a game board, as shown and described.

DESCRIPTION

FIG. 1 is a bottom front perspective view of a game board showing my new design;

FIG. 2 is a bottom back perspective view thereof;

FIG. 3 is a top front perspective view thereof;

FIG. 4 is a top back perspective view thereof;

FIG. 5 is a front elevational view thereof;

FIG. 6 is a back elevational view thereof;

FIG. 7 is a left side elevational view thereof;

FIG. 8 is a right side elevational view thereof;

FIG. 9 is a top view thereof;

FIG. 10 is a bottom view thereof;

FIG. 11 is a bottom front perspective view thereof with a sample game design shown in broken lines;

FIG. 12 is a front elevational view thereof with a second game board shown in broken lines;

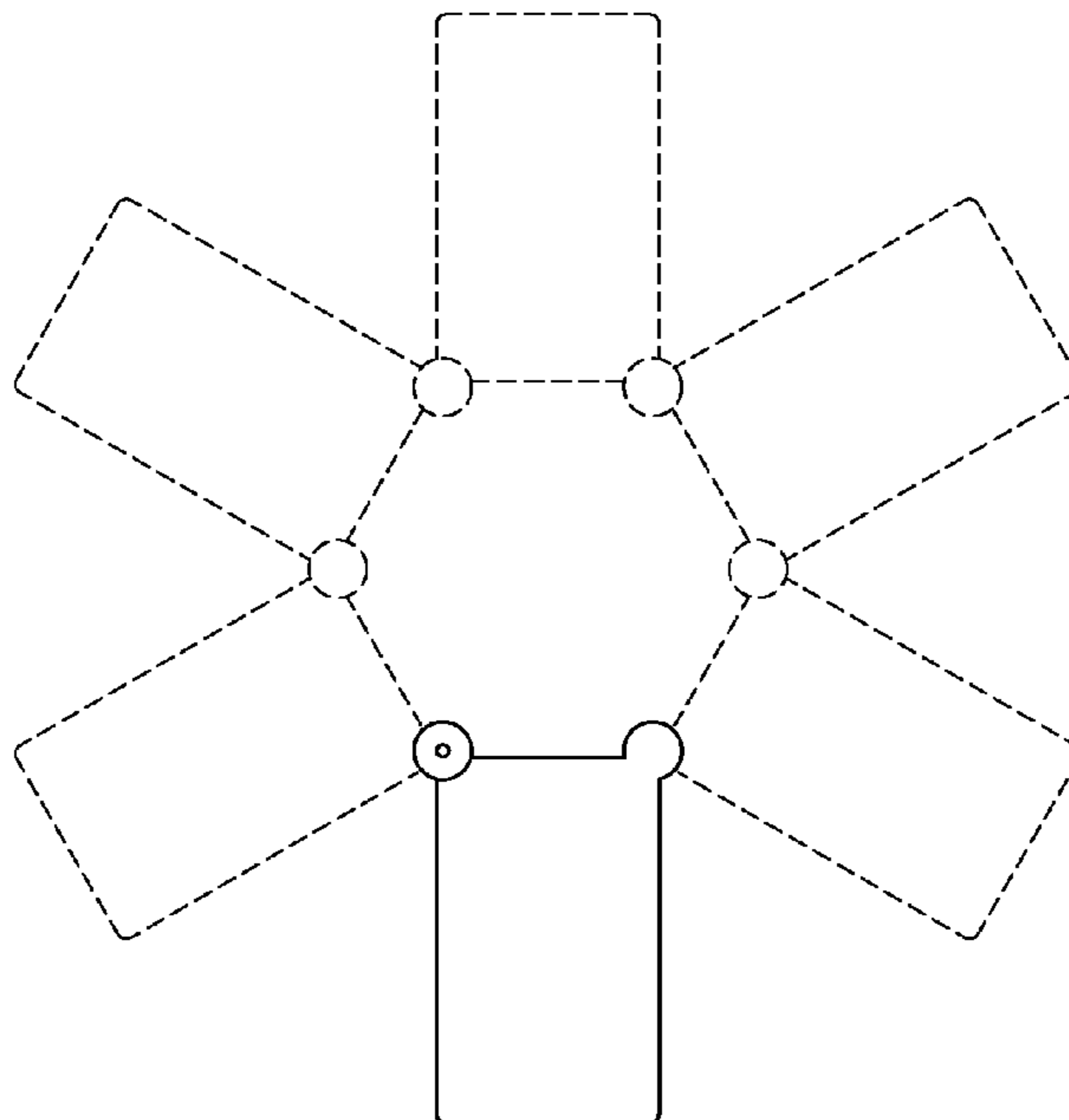
FIG. 13 is a front elevational view thereof with second and third game boards shown in broken lines;

FIG. 14 is a front elevational view thereof with second, third, and fourth game boards shown in broken lines; and,

FIG. 15 is a front elevational view thereof with second, third, fourth, fifth, and sixth game boards shown in broken lines.

In the drawings, the broken lines are for illustrative purposes only and form no part of the claimed design.

1 Claim, 5 Drawing Sheets



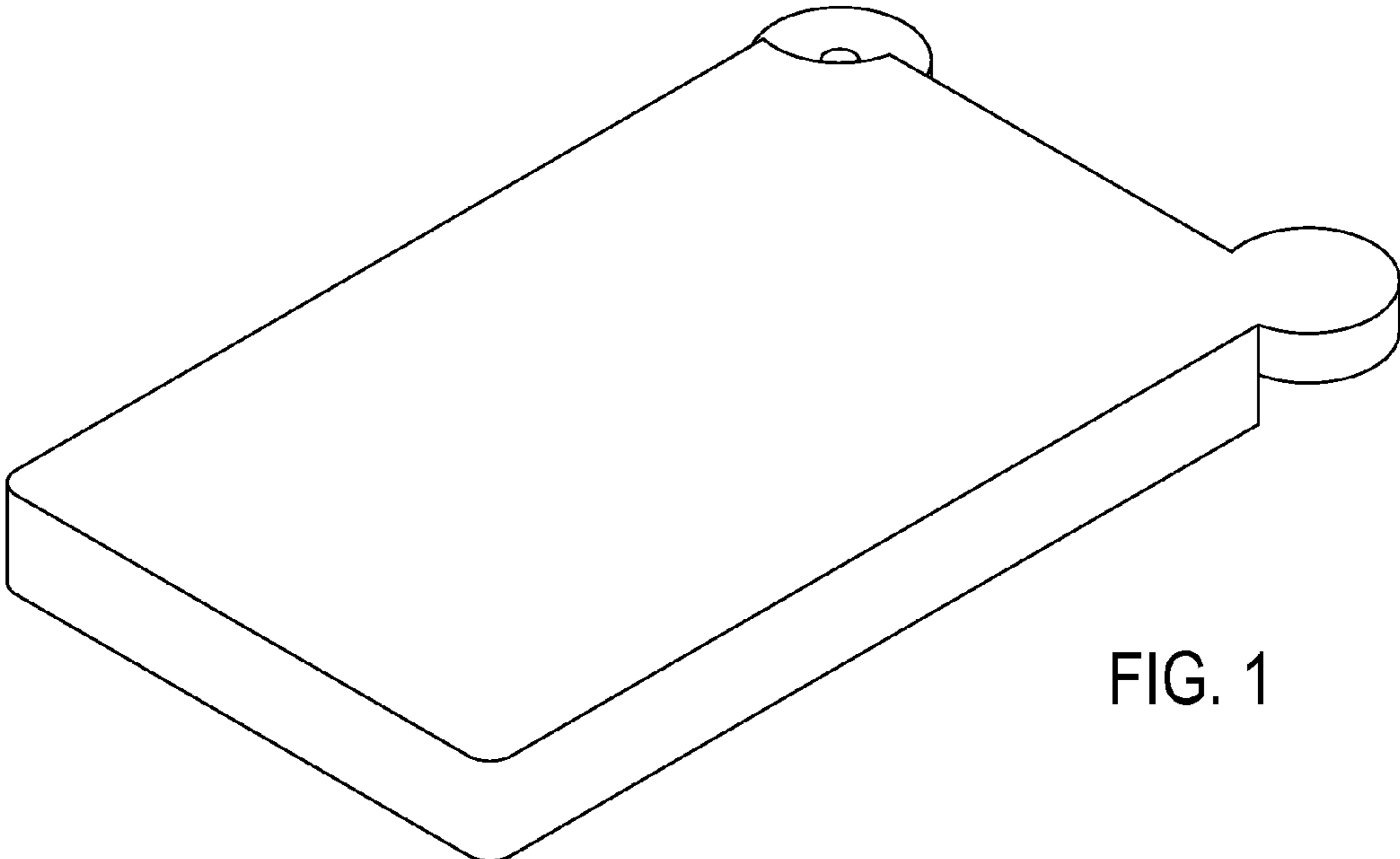


FIG. 1

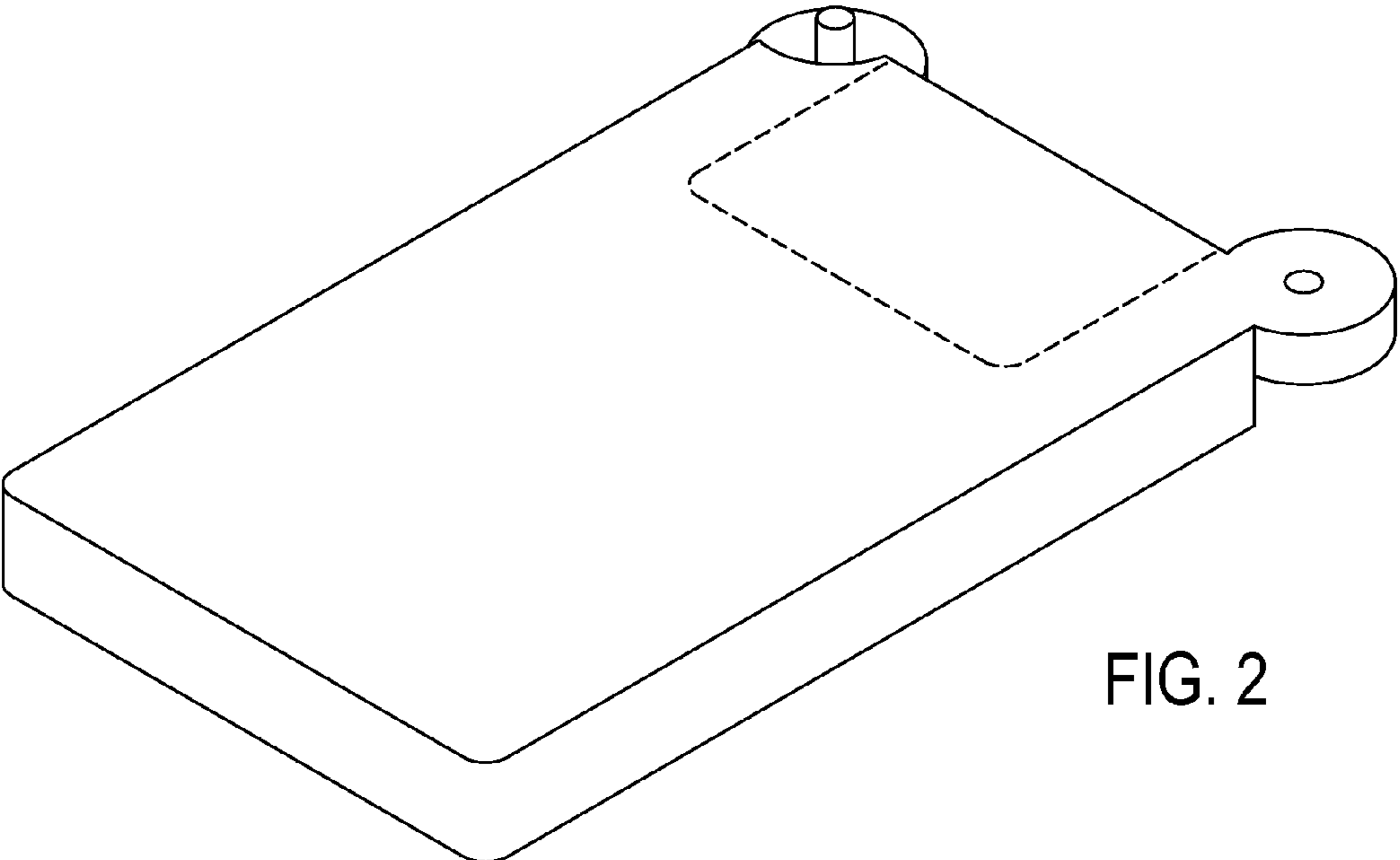


FIG. 2

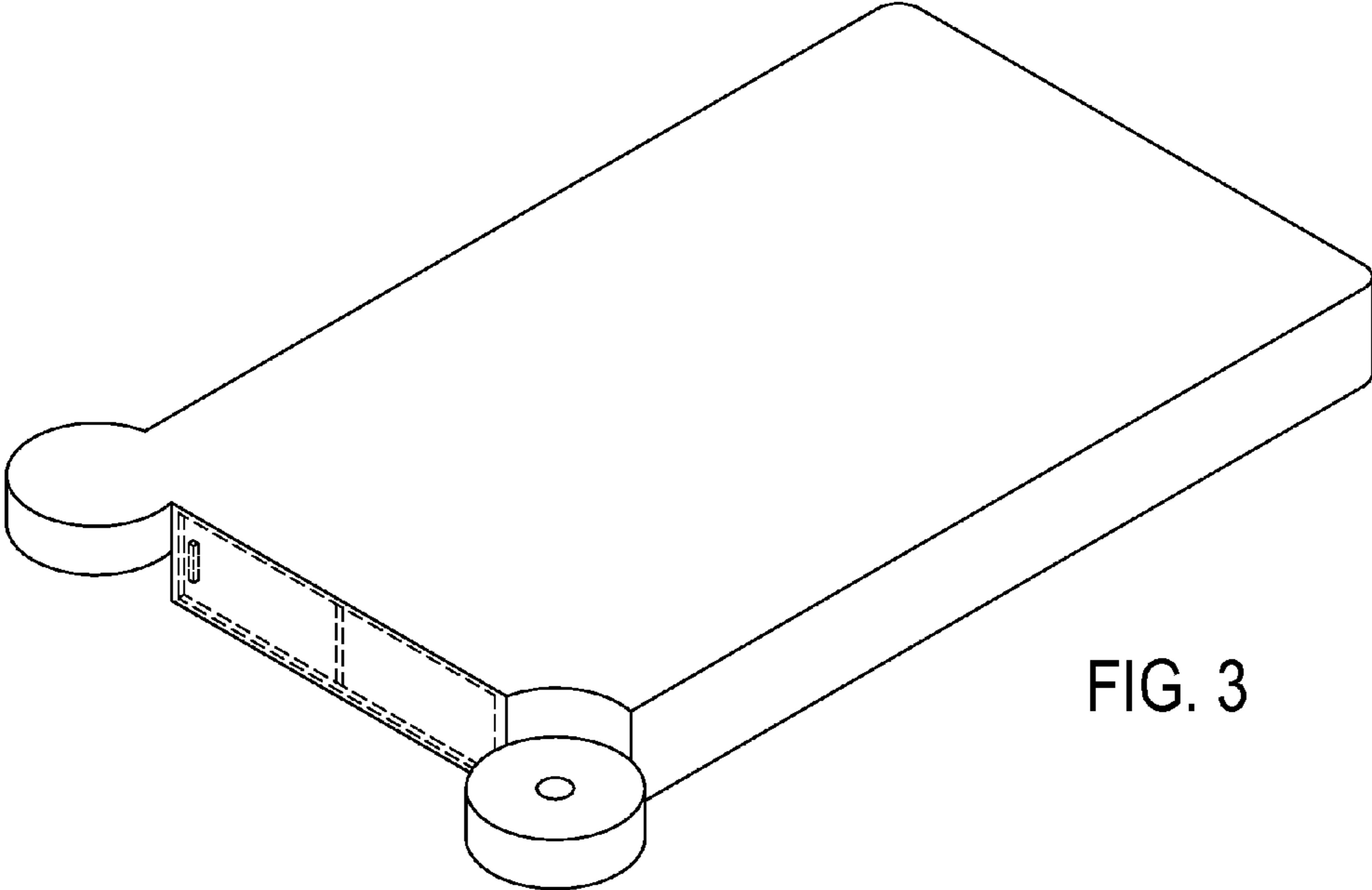


FIG. 3

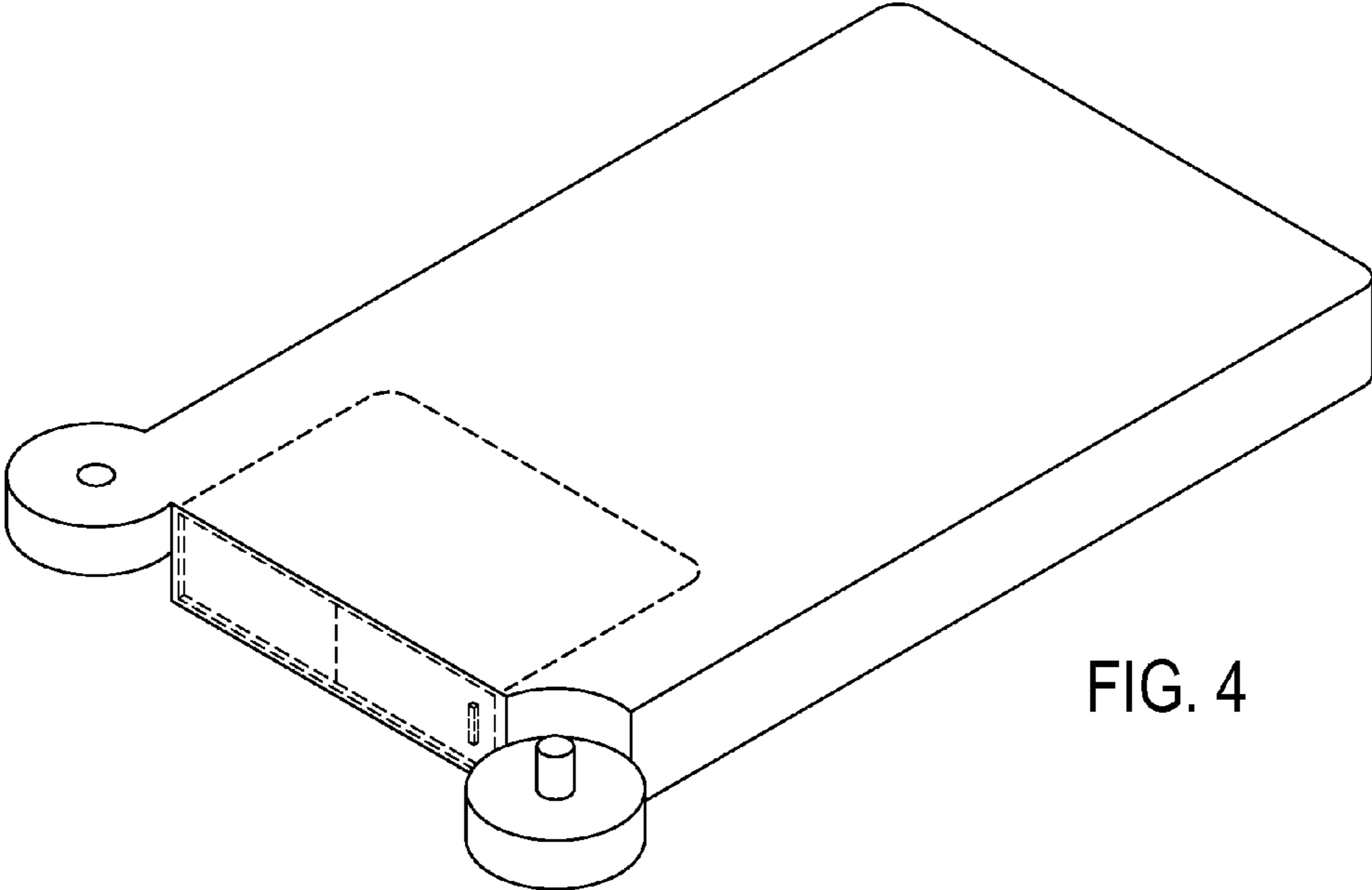


FIG. 4

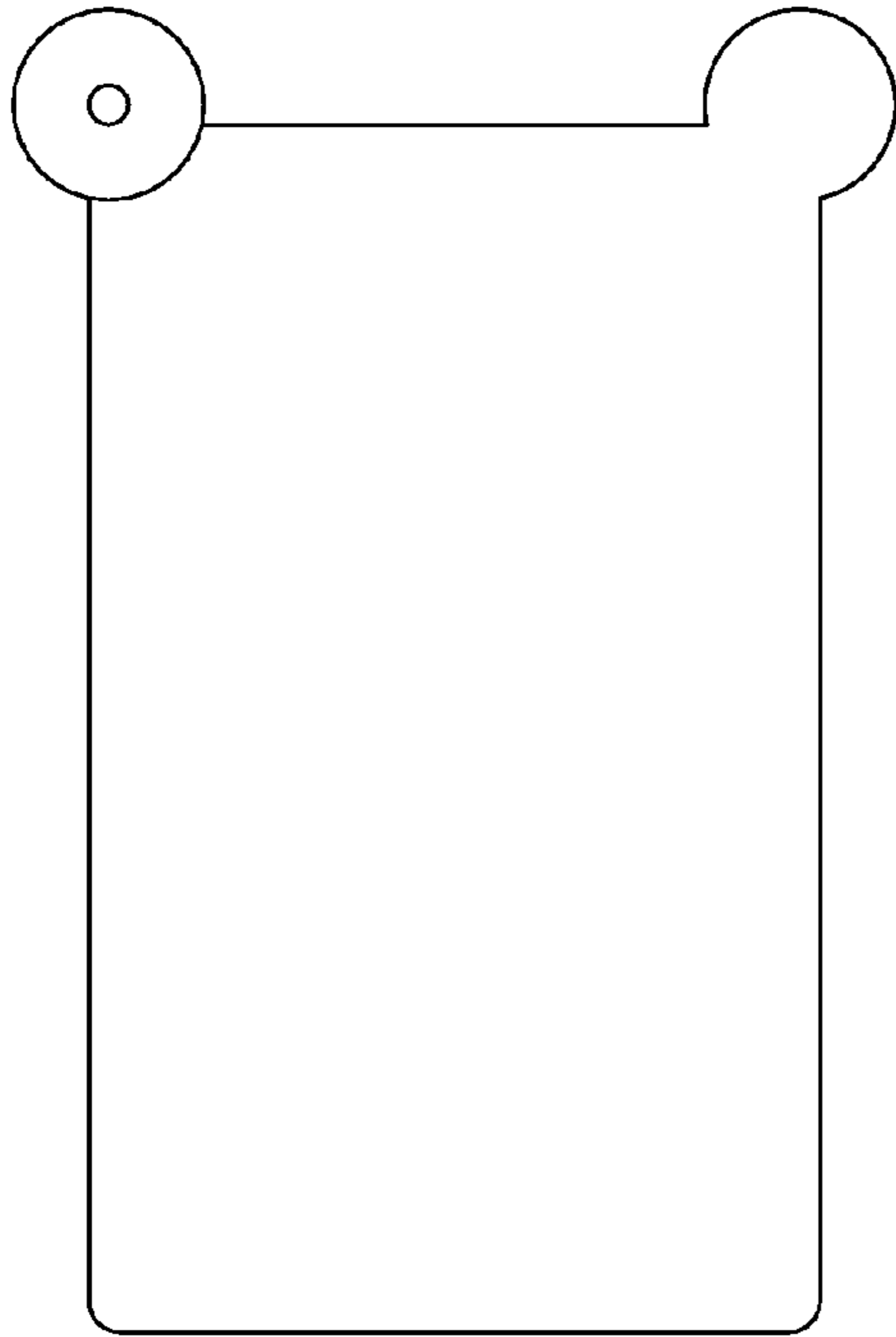


FIG. 5

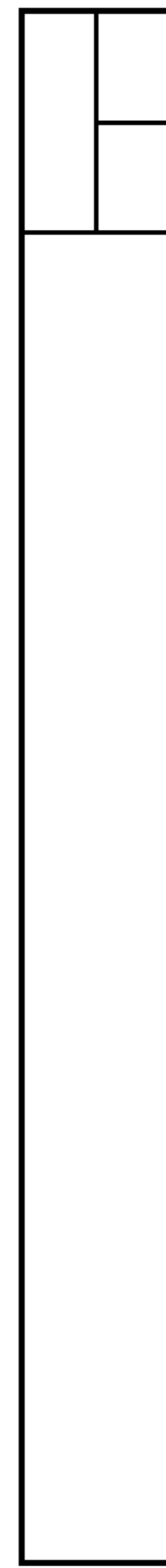


FIG. 7

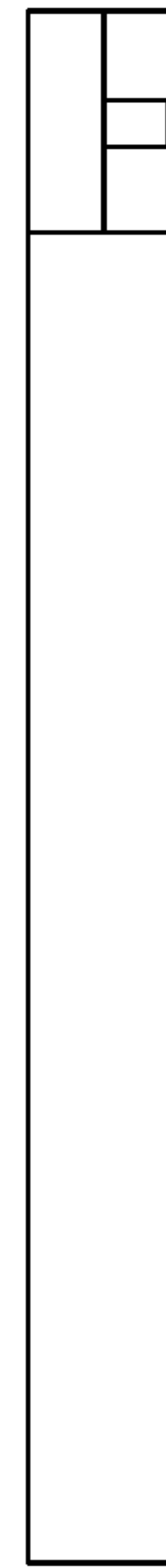


FIG. 8

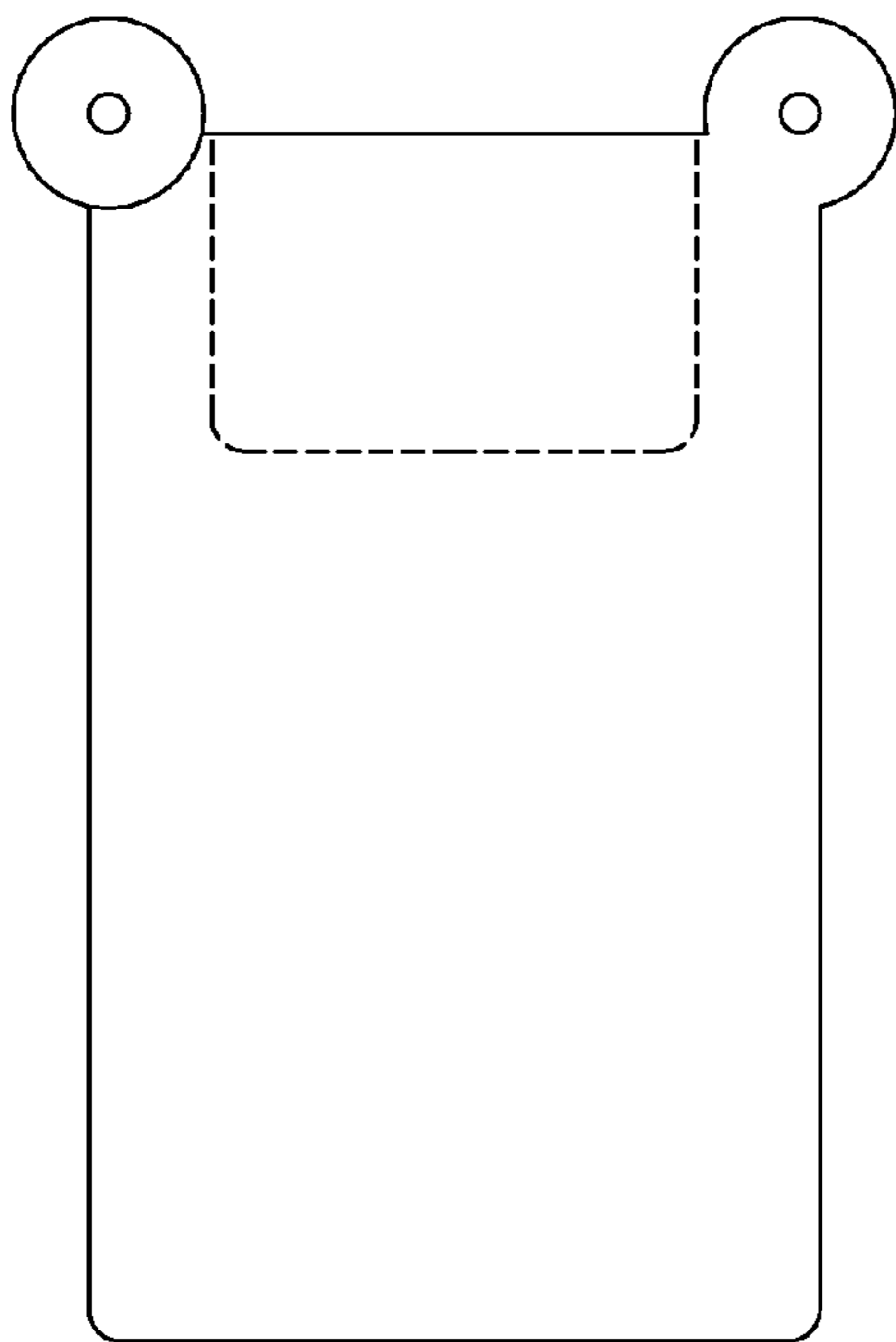


FIG. 6

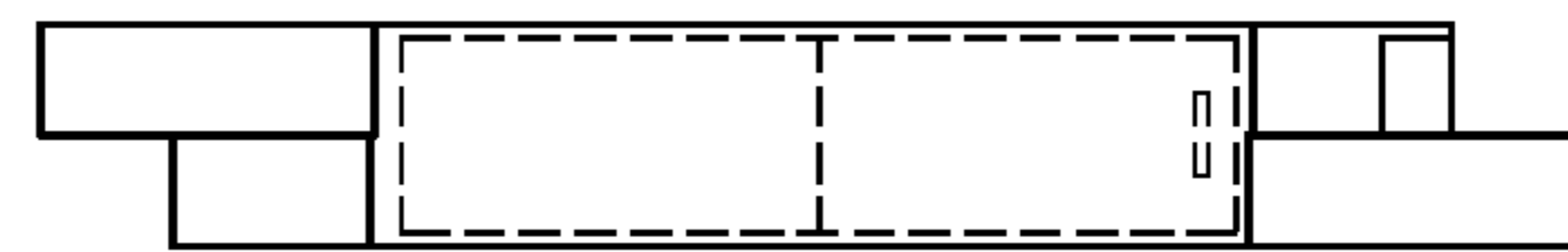


FIG. 9



FIG. 10

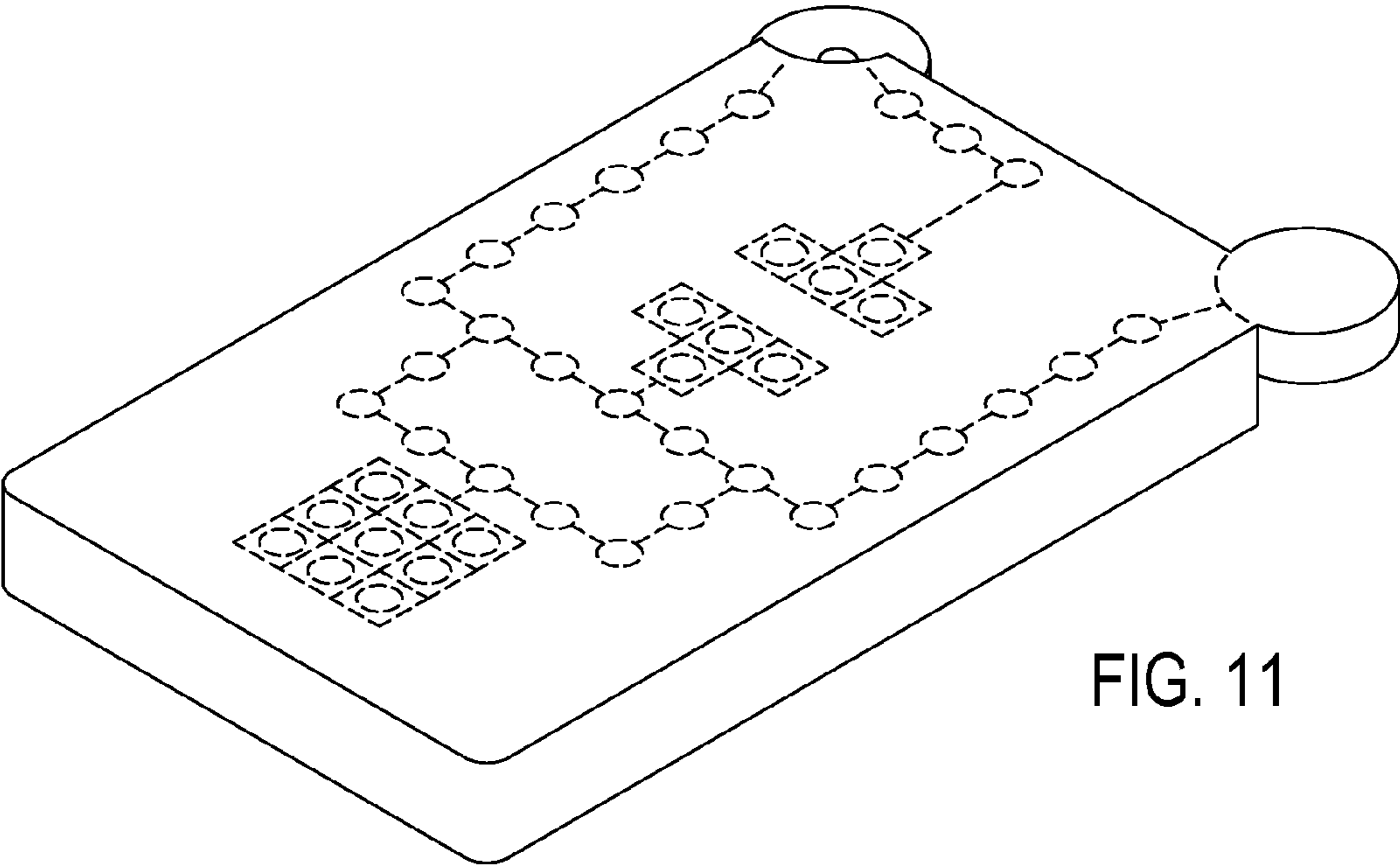


FIG. 11

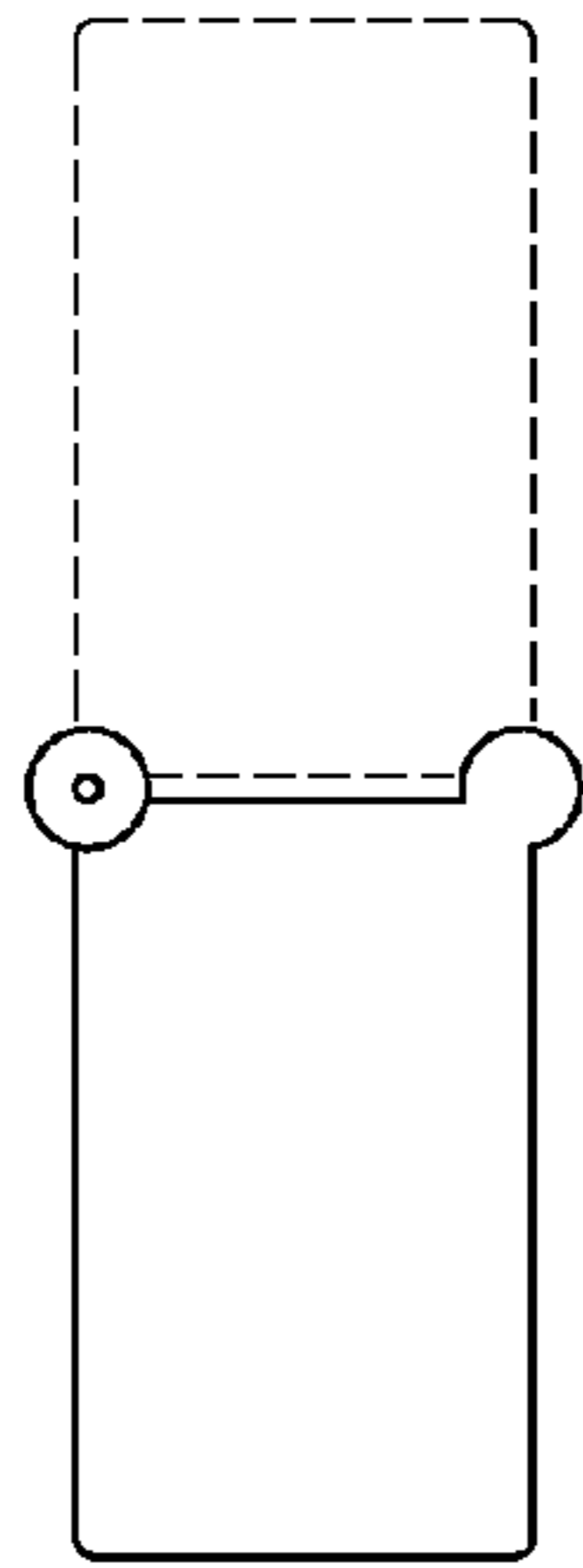


FIG. 12

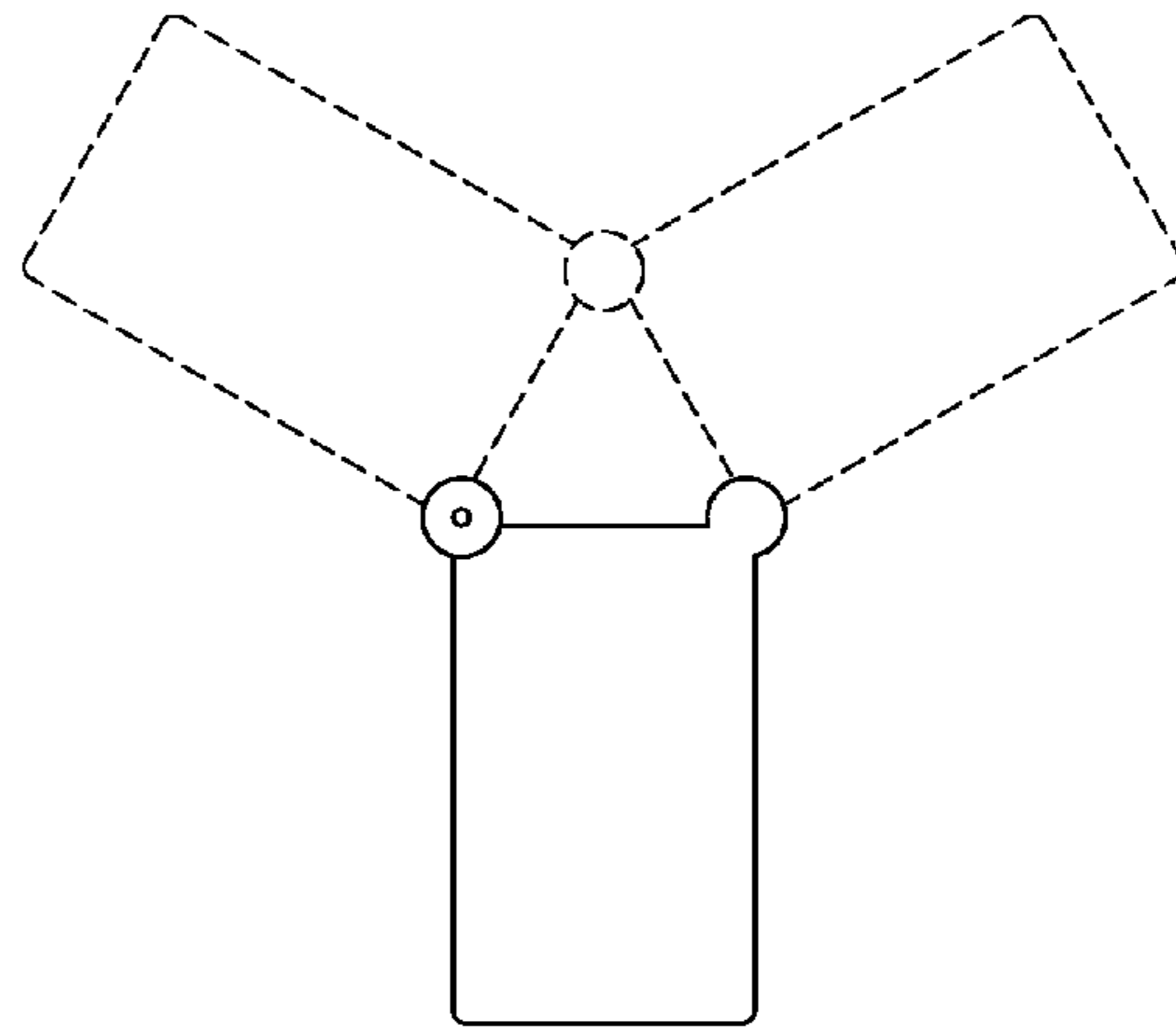


FIG. 13

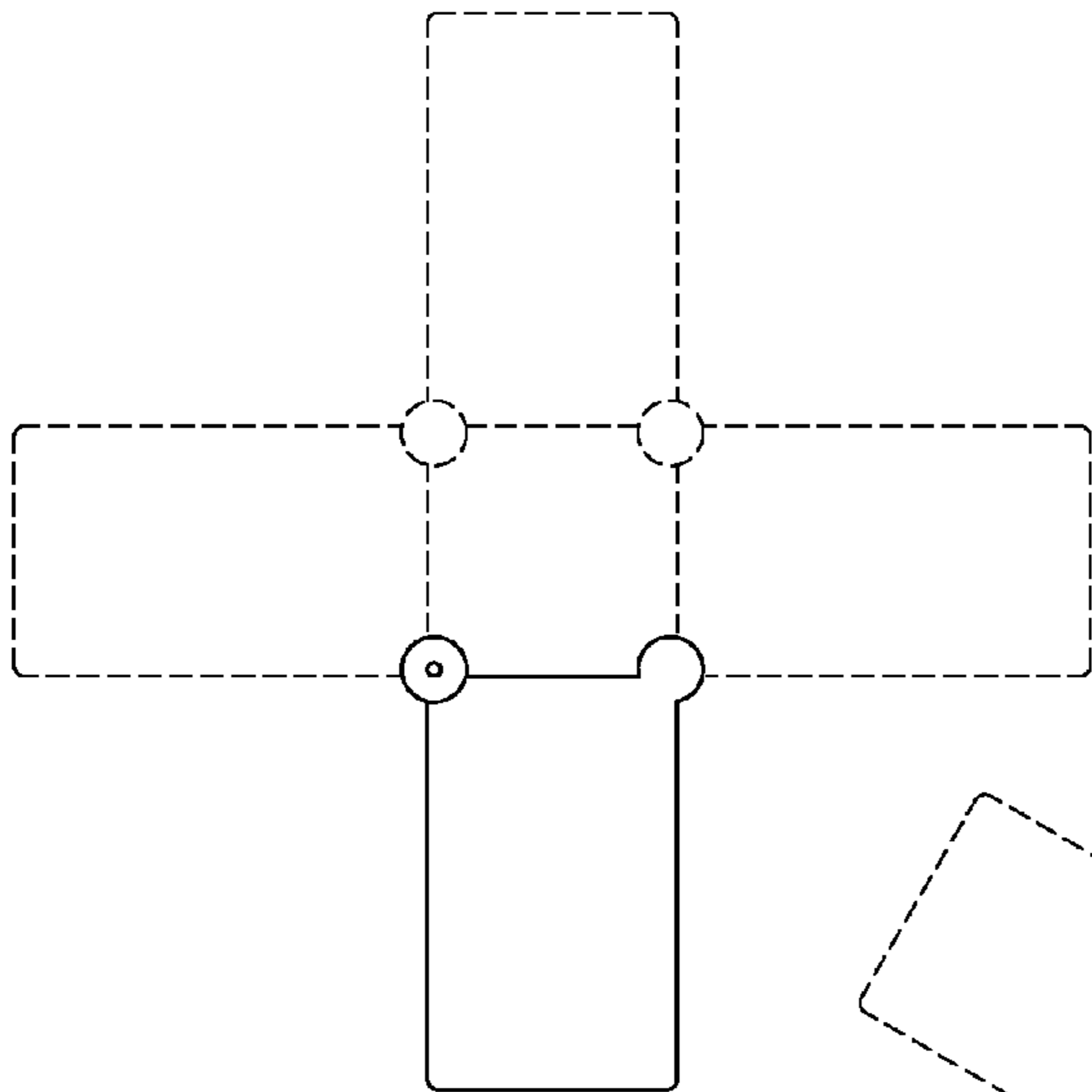


FIG. 14

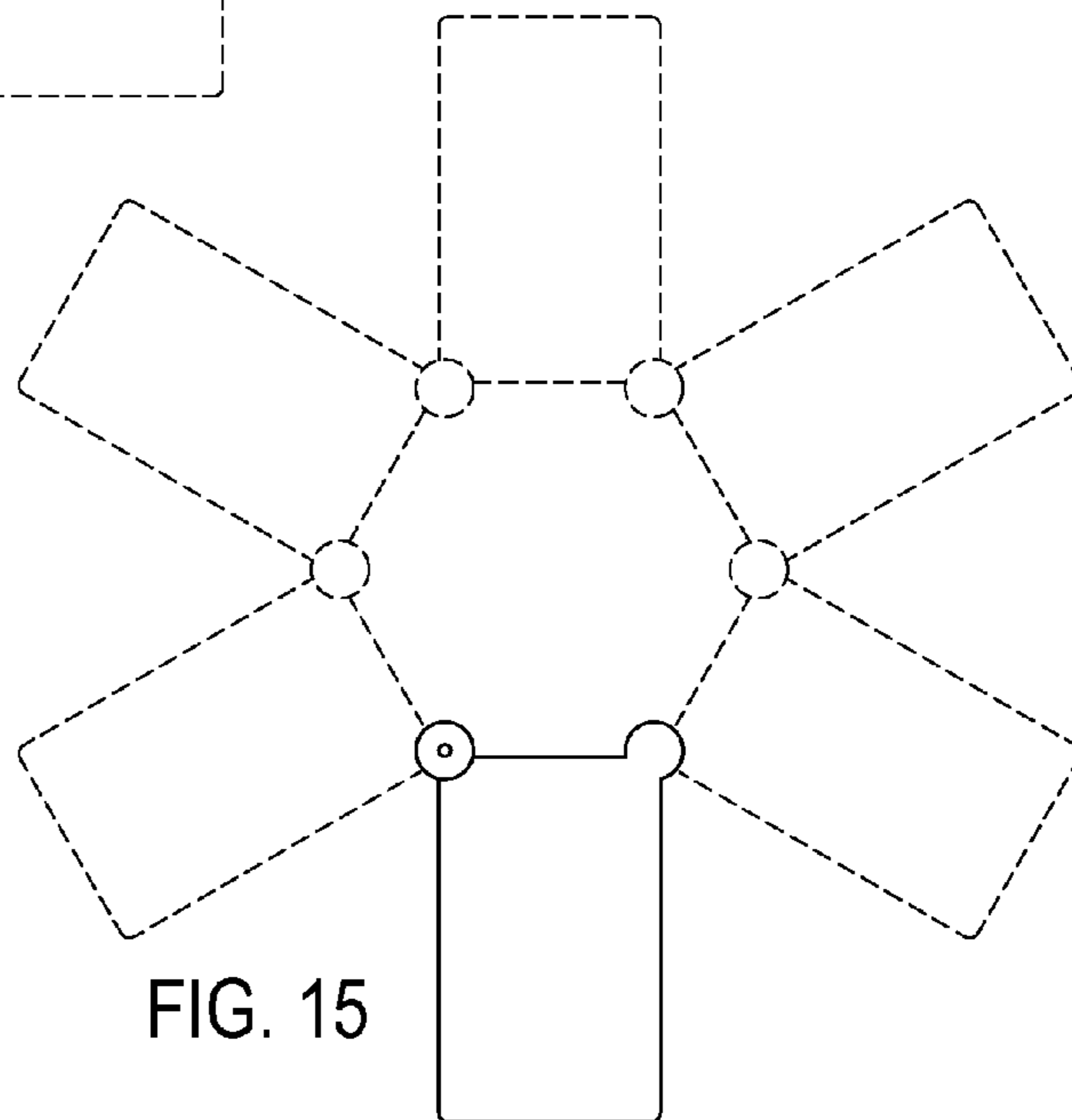


FIG. 15