

US00D594909S

(12) **United States Design Patent**  
**Tam**

(10) **Patent No.:** **US D594,909 S**  
(45) **Date of Patent:** **\*\* Jun. 23, 2009**

(54) **HANGMAN GAME APPARATUS**

(75) Inventor: **Mabel Tam**, Hong Kong (CN)

(73) Assignee: **Lexibook Limited**, Hong Kong (HK)

(\*\*) Term: **14 Years**

(21) Appl. No.: **29/299,380**

(22) Filed: **Dec. 24, 2007**

(51) **LOC (9) Cl.** ..... **21-01**

(52) **U.S. Cl.** ..... **D21/324; D21/329**

(58) **Field of Classification Search** ..... **D21/324,**  
**D21/328, 329, 333, 325; 273/148 B, 269,**  
**273/270, 459-461; 463/1, 29-35, 46, 47,**  
**463/49; 345/156, 161, 903, 905**

See application file for complete search history.

(56) **References Cited**

**U.S. PATENT DOCUMENTS**

2,373,367	A *	4/1945	Wilson	.....	446/339
3,948,526	A *	4/1976	Lukacik	.....	273/239
4,012,044	A *	3/1977	Grossi	.....	273/272
D437,357	S *	2/2001	Breslow et al.	.....	D21/324
D455,793	S *	4/2002	Lin	.....	D21/329
D508,088	S *	8/2005	Hussaini et al.	.....	D21/329
D537,885	S *	3/2007	Gadda et al.	.....	D21/369
2002/0065131	A1 *	5/2002	Seelig et al.	.....	463/30

2004/0147299	A1 *	7/2004	Morris et al.	.....	463/1
2007/0019324	A1 *	1/2007	Shoji	.....	360/97.02
2007/0202957	A1 *	8/2007	Okada	.....	463/47
2007/0218985	A1 *	9/2007	Okada	.....	463/30

\* cited by examiner

*Primary Examiner*—Prabhakar Deshmukh

(74) *Attorney, Agent, or Firm*—Ostrolenk, Faber, Gerb & Soffen, LLP

(57) **CLAIM**

The ornamental design for a hangman game apparatus, as shown and described.

**DESCRIPTION**

FIG. 1 is a front, top, right side perspective view of a hangman game apparatus showing my new design;

FIG. 2 is a front view thereof;

FIG. 3 is a rear view thereof;

FIG. 4 is a left side view thereof;

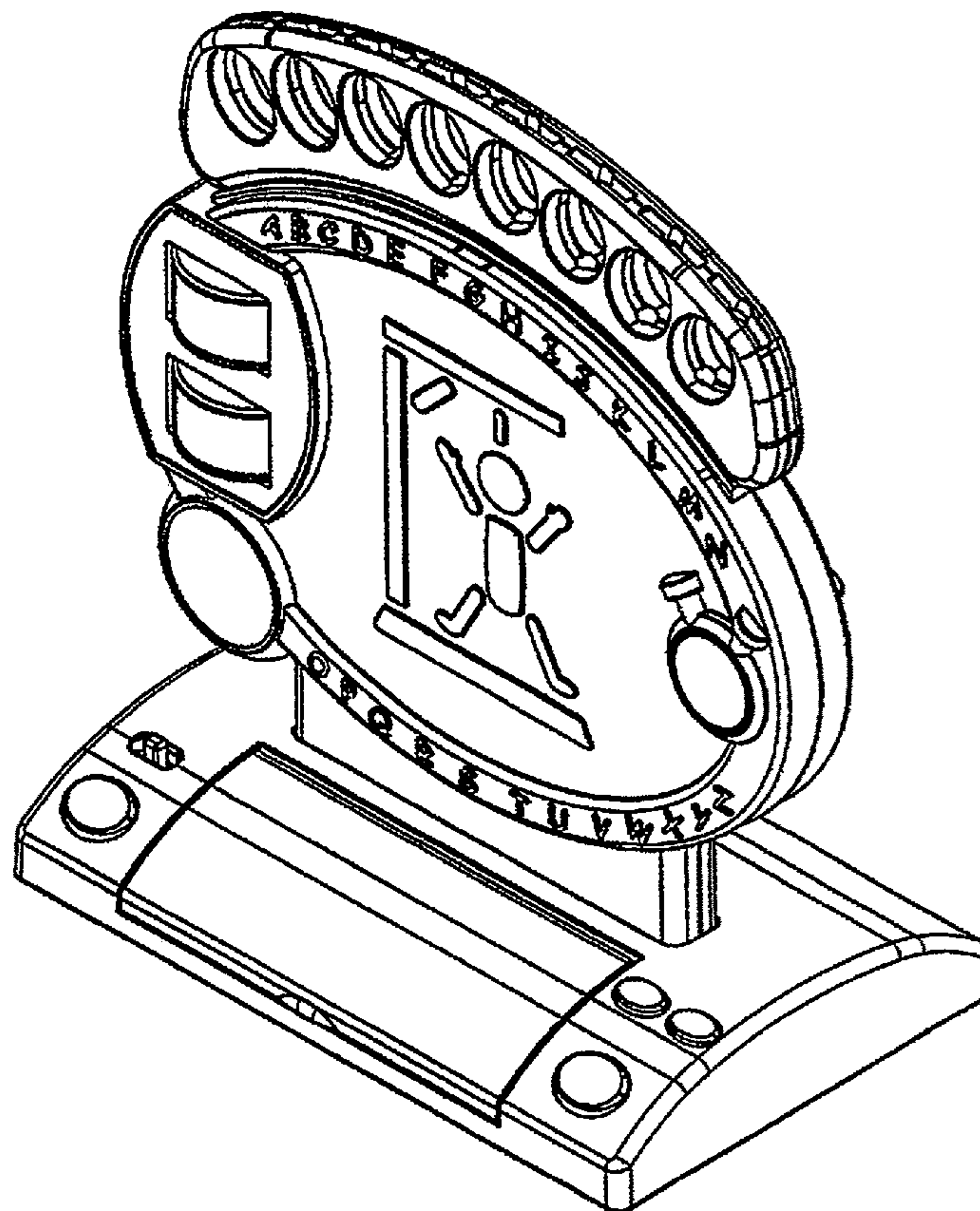
FIG. 5 is a right side view thereof;

FIG. 6 is a top view thereof;

FIG. 7 is a bottom view thereof; and,

FIG. 8 is a front view thereof in an alternate condition.

**1 Claim, 8 Drawing Sheets**



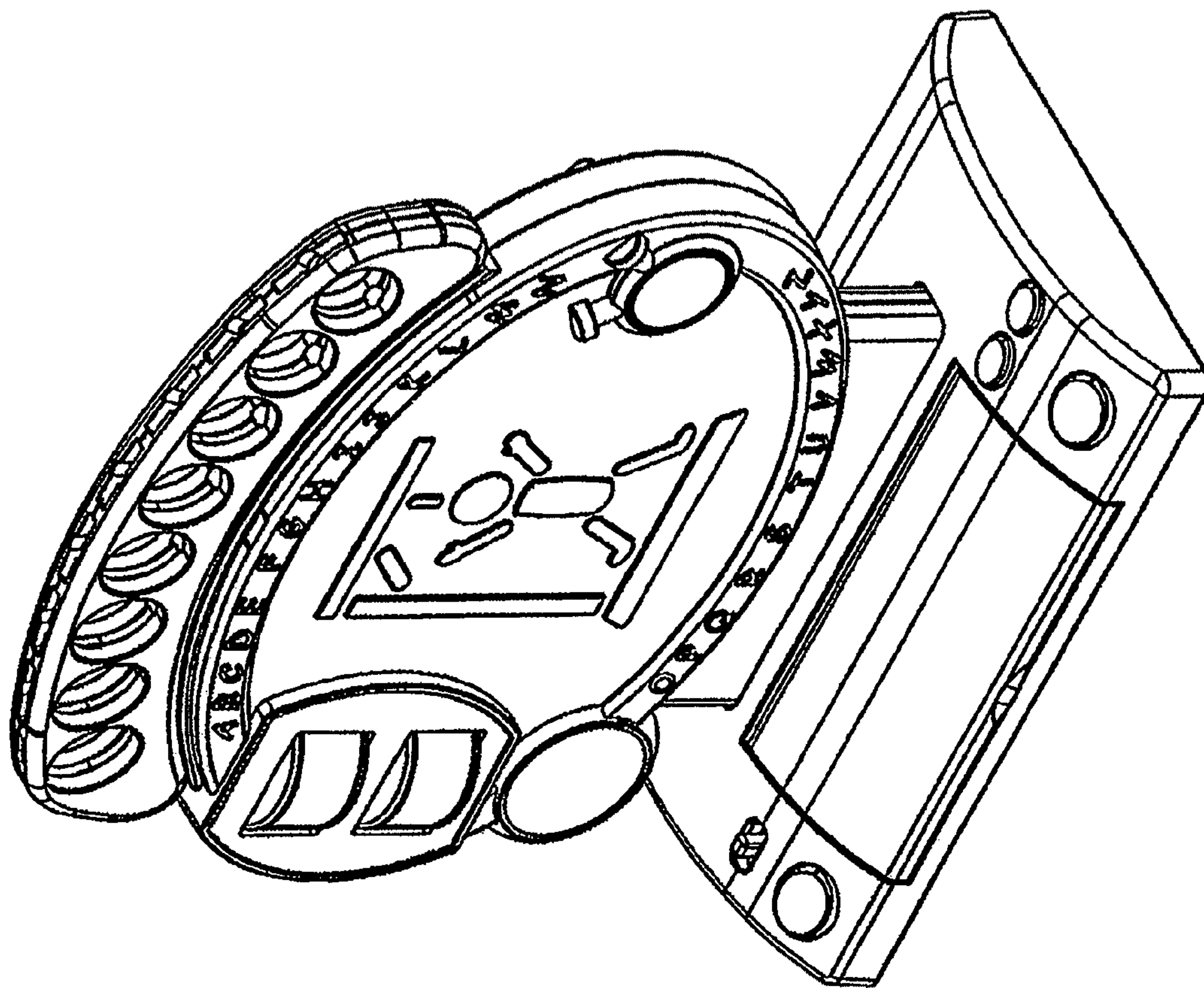


FIG. 1

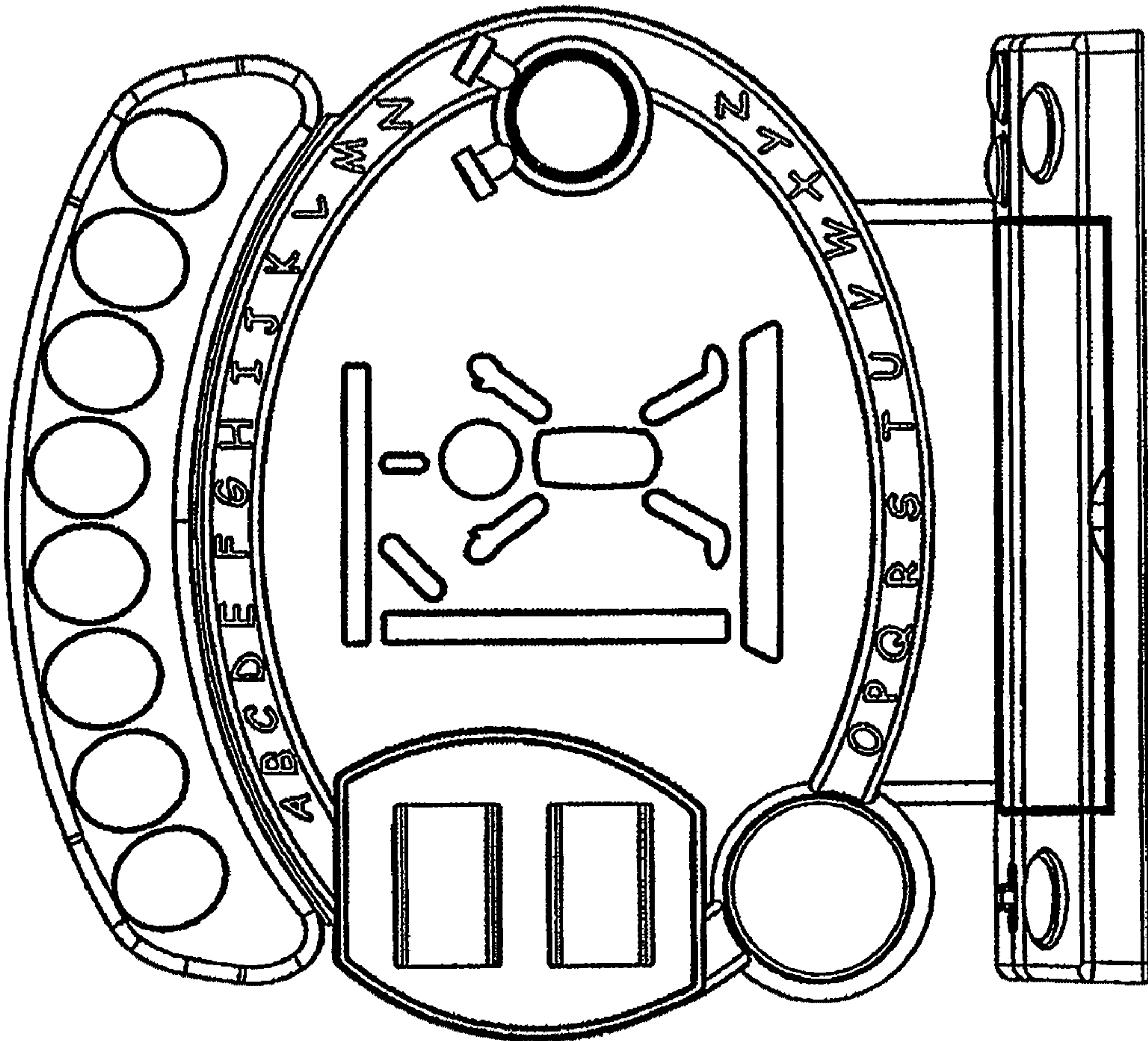


FIG. 2



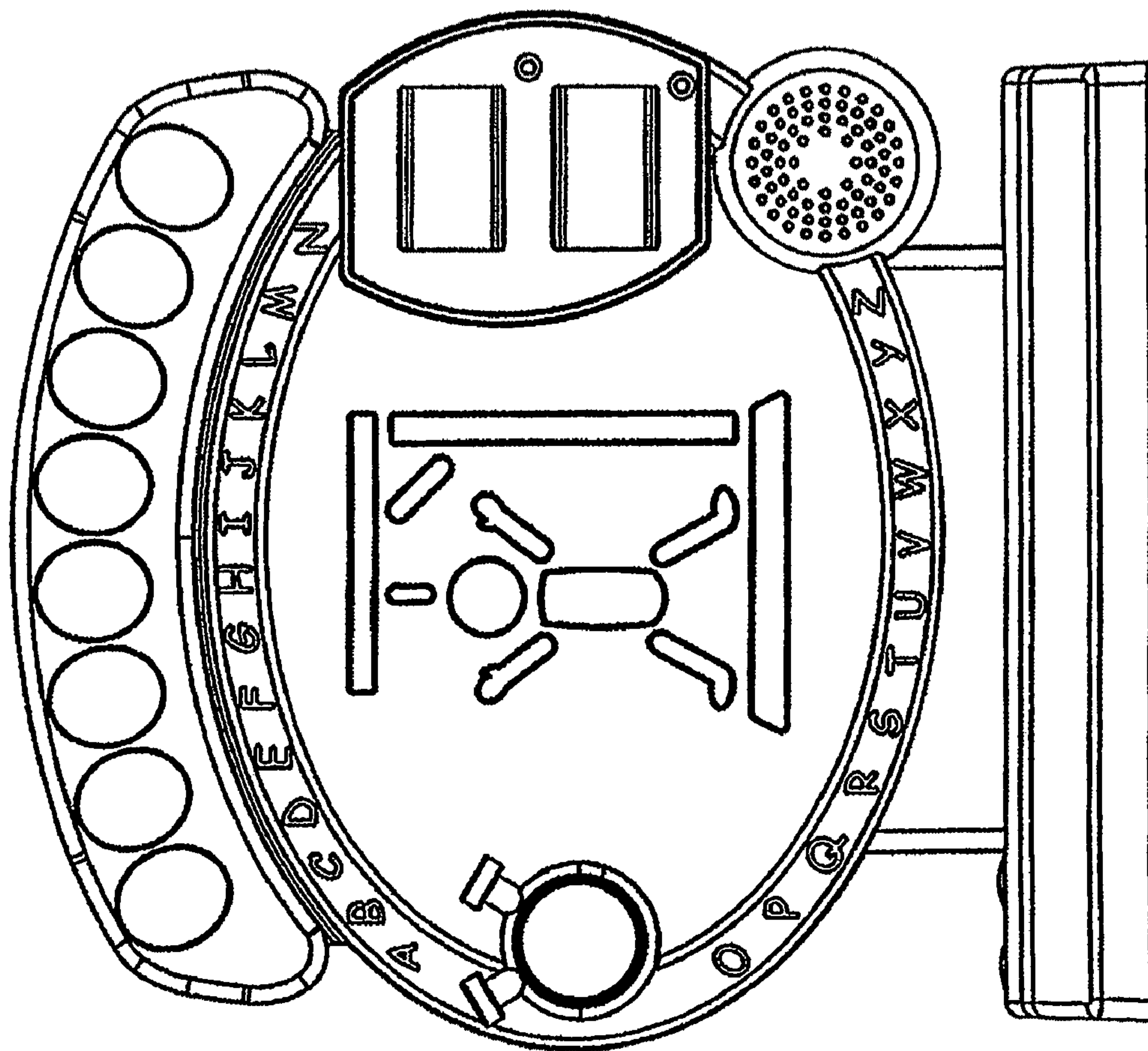


FIG. 3

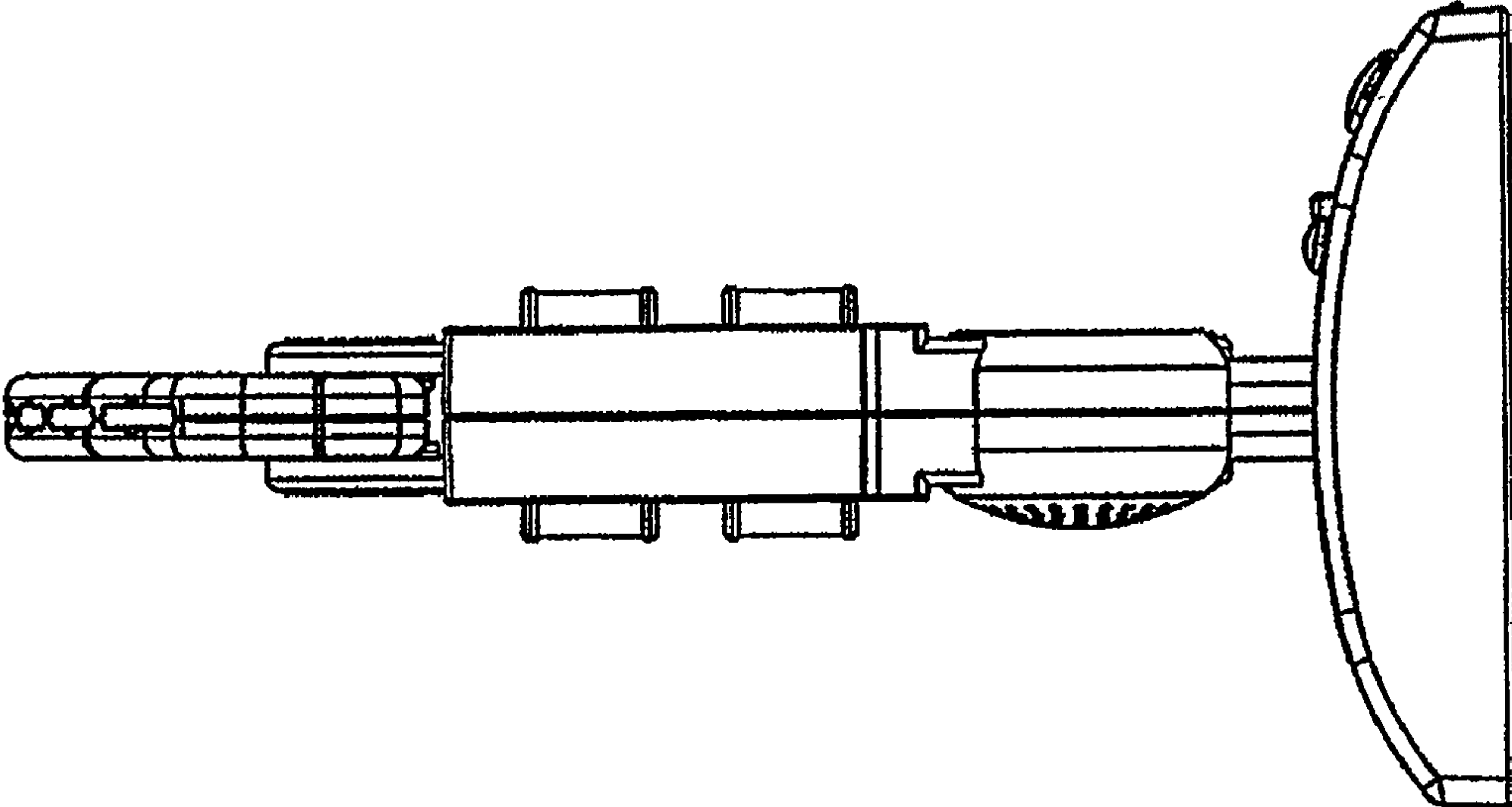


FIG. 4

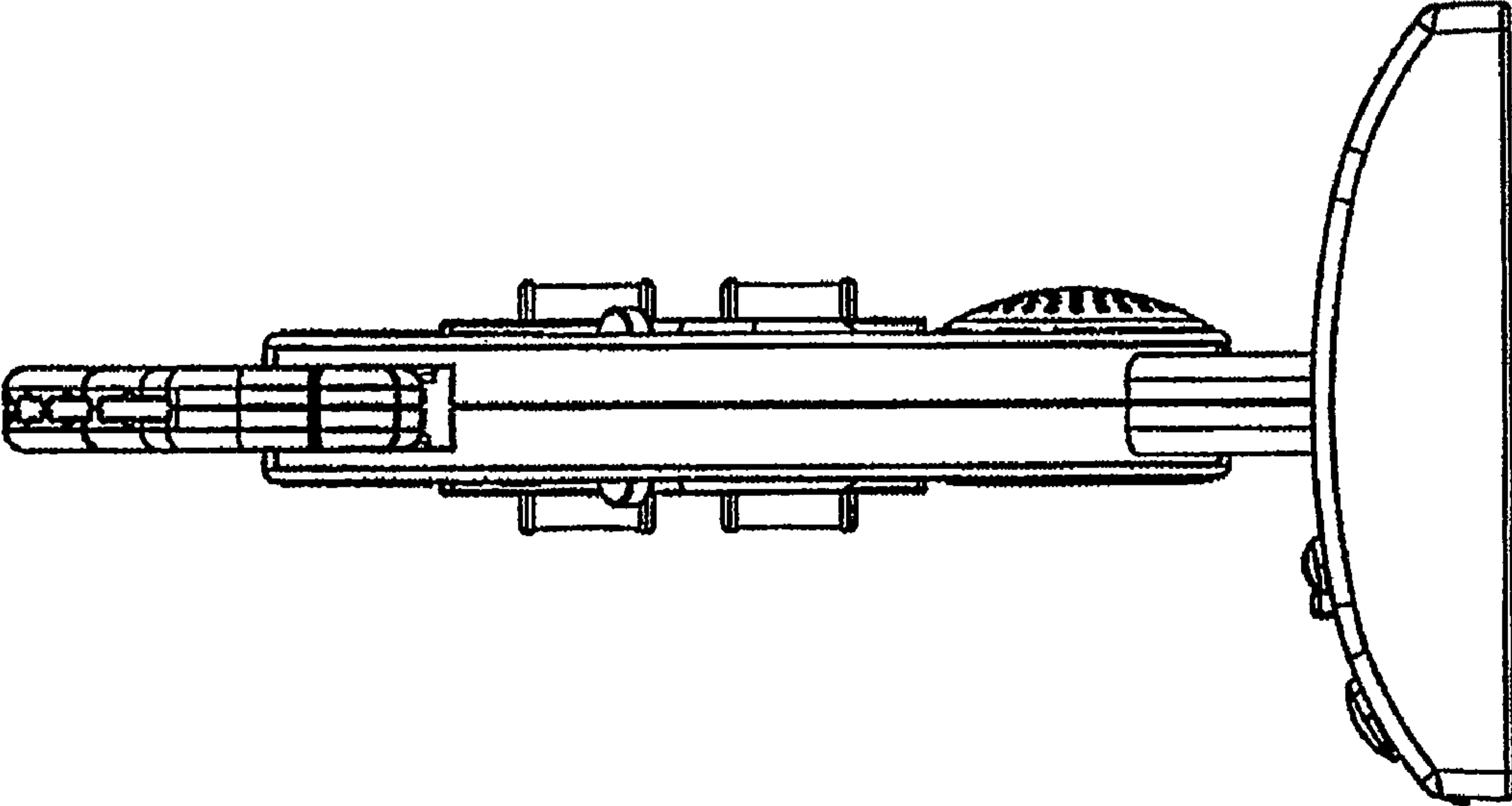


FIG. 5

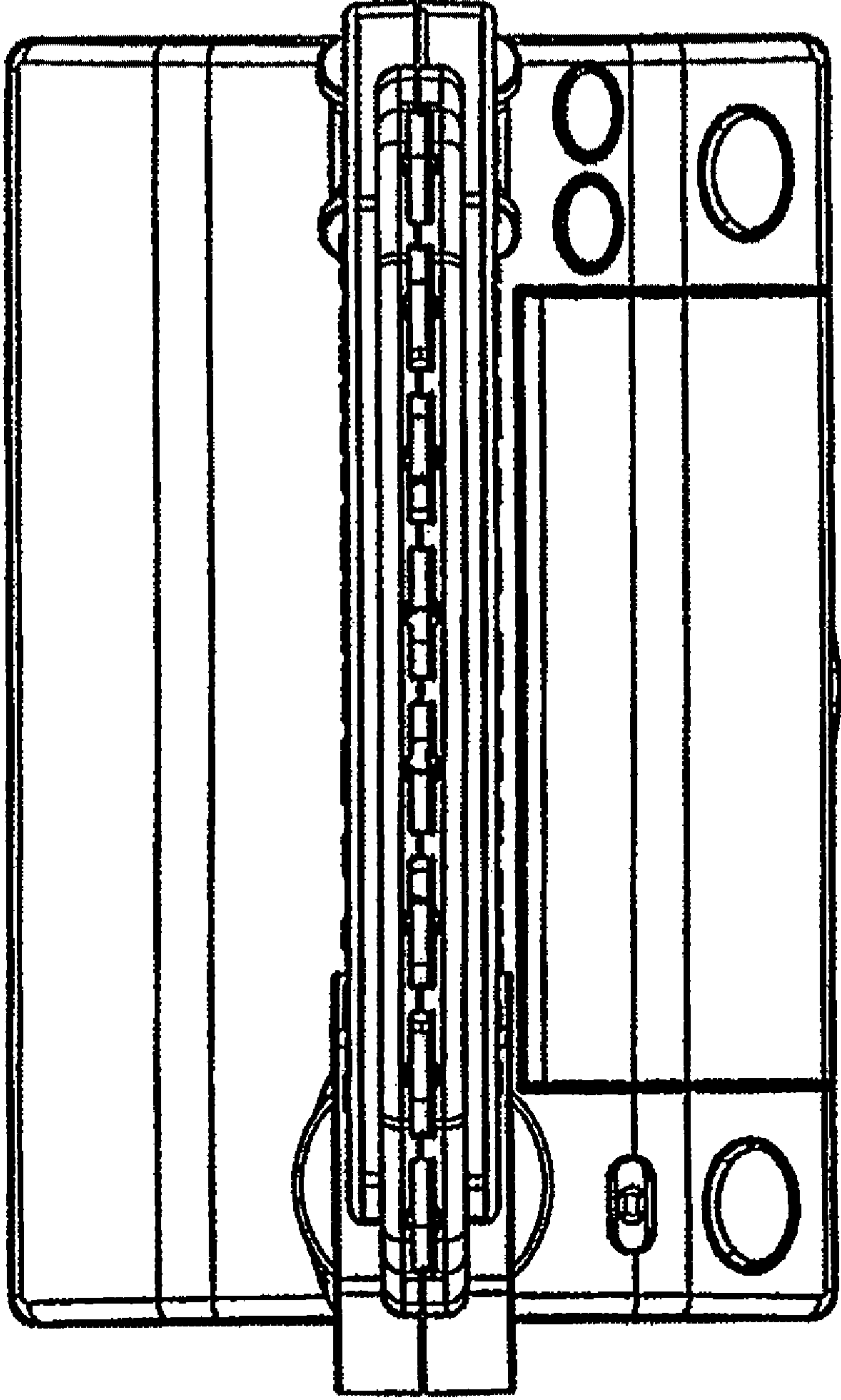


FIG. 6

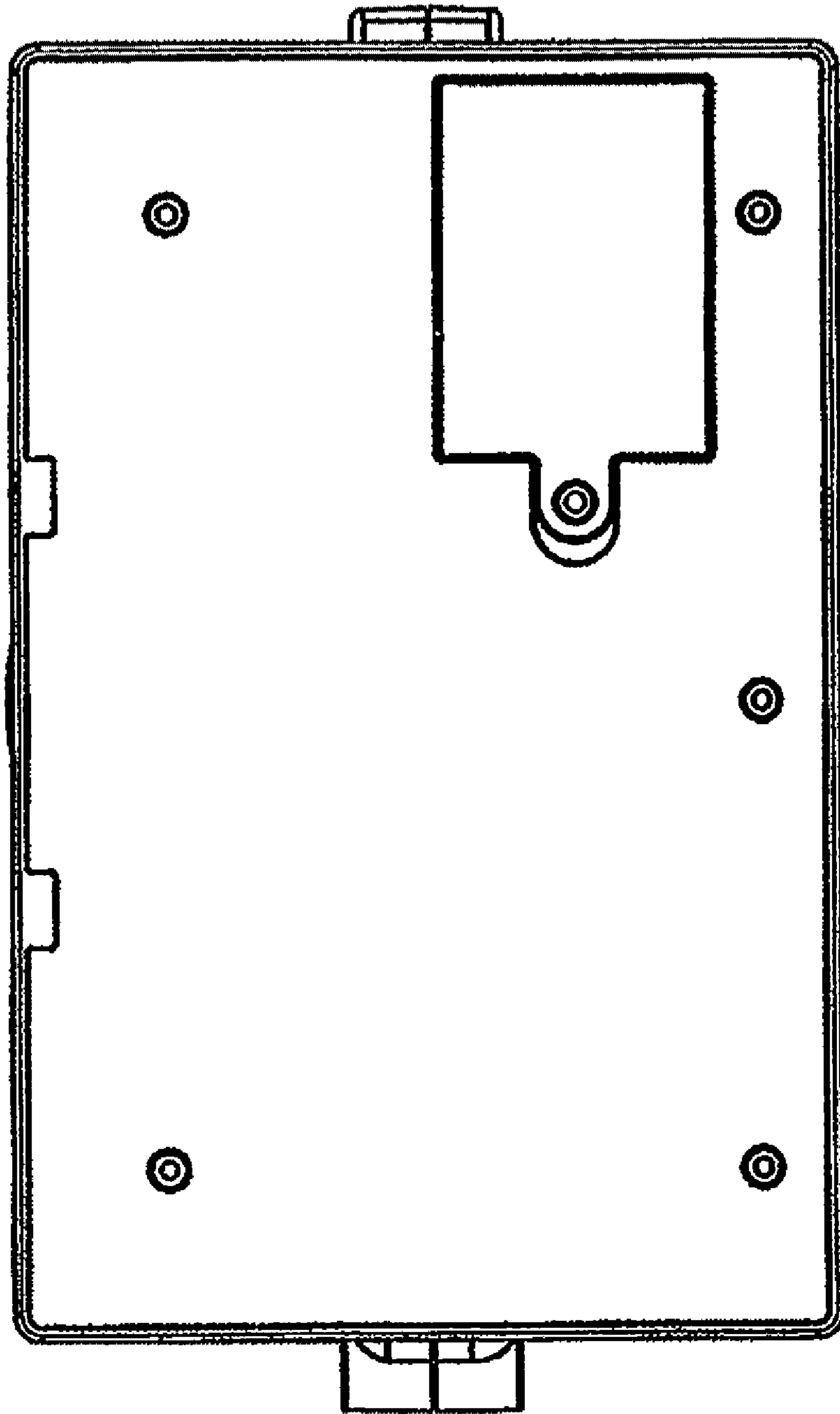


FIG. 7



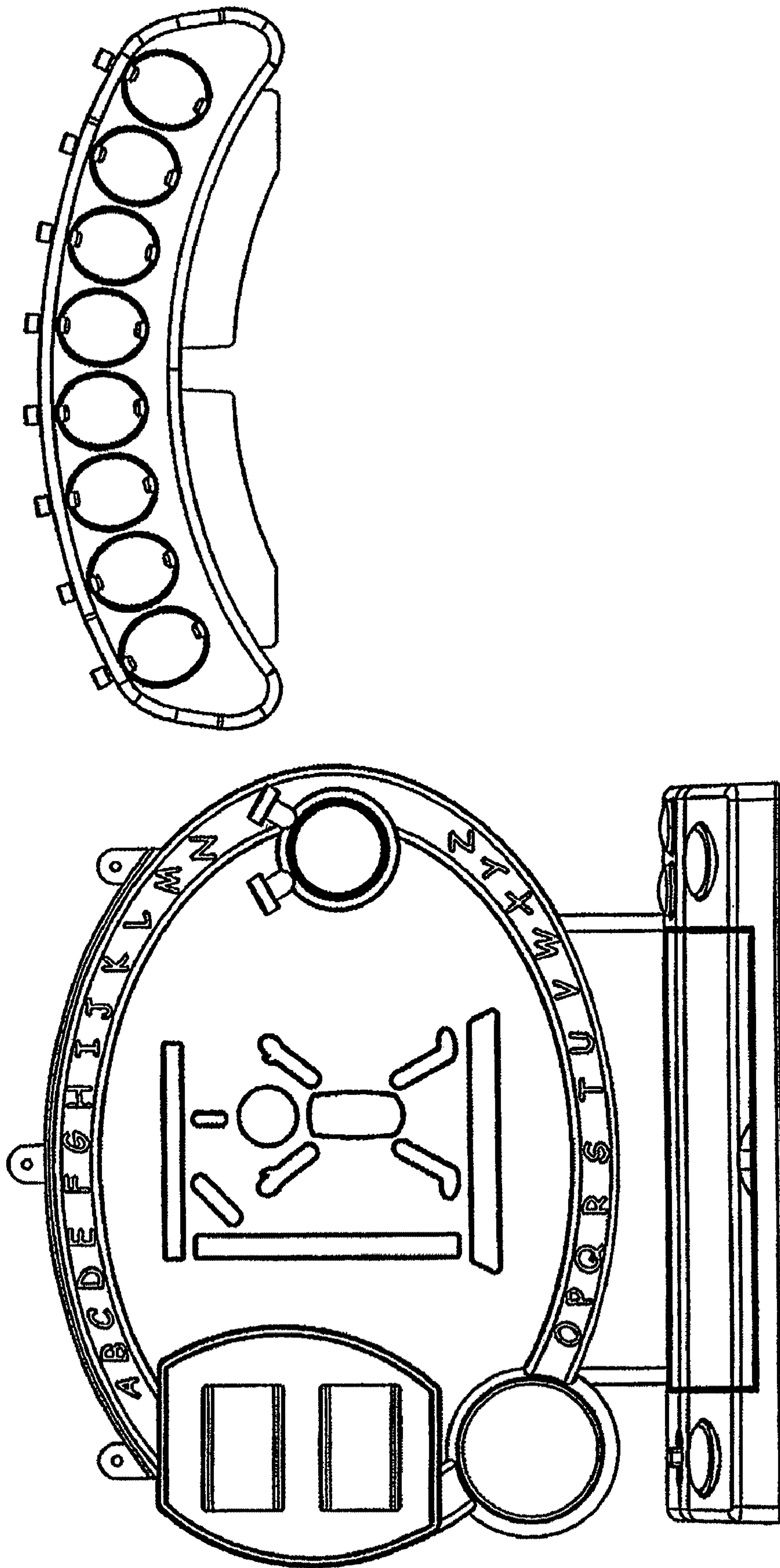


FIG. 8