



US00D594905S

(12) **United States Design Patent**
Matsushita et al.

(10) **Patent No.:** **US D594,905 S**
(45) **Date of Patent:** **** Jun. 23, 2009**

(54) **COATING FILM TRANSFER TOOL**

JP 1240284 9/1989
JP 1224356 12/2004
JP 1240284 5/2005

(75) Inventors: **Kinya Matsushita**, Osaka (JP); **Hideto Shima**, Yawata (JP)

OTHER PUBLICATIONS

(73) Assignee: **Kokuyo Co., Ltd.**, Osaka (JP)

English language abstract of Publication No. JP1224356 dated Sep. 7, 1989, from esp@cenet, 1 page.

(**) Term: **14 Years**

English language abstract of Publication No. JP1240284 dated Sep. 25, 1989 from esp@cenet, 1 page.

(21) Appl. No.: **29/305,338**

English language abstract for Publication No. JP1224356 dated Sep. 7, 1989 from esp@cenet, 1 page.

(22) Filed: **Mar. 18, 2008**

English language abstract for Publication No. JP1240284 dated Sep. 25, 1989 from esp@cenet, 1 page.

(30) **Foreign Application Priority Data**

* cited by examiner

Sep. 18, 2007 (JP) 2007-025216

Primary Examiner—Cathron C Brooks

(51) **LOC (9) Cl.** **19-02**

Assistant Examiner—Austin Murphy

(52) **U.S. Cl.** **D19/69**

(74) *Attorney, Agent, or Firm*—Osha • Liang LLP

(58) **Field of Classification Search** D19/66,
D19/67, 68, 69, 70; 156/523, 257, 540, 577;
206/411; 225/6, 25, 39, 77; 242/588, 588.1,
242/588.2, 588.3, 588.6, 5

(57) **CLAIM**

See application file for complete search history.

The ornamental design for a coating film transfer tool, as shown and described.

(56) **References Cited**

DESCRIPTION

U.S. PATENT DOCUMENTS

FIG. 1 is a front view of the design for a coating film transfer tool according to the invention.

- D421,059 S * 2/2000 Shimizu D19/69
- D456,450 S * 4/2002 Kimura D19/69
- D466,554 S * 12/2002 Yonezawa et al. D19/67
- D476,035 S * 6/2003 Katami D19/69
- D476,687 S * 7/2003 Katami D19/69
- D492,730 S * 7/2004 Suzuki D19/69
- D494,623 S * 8/2004 Huang D19/69
- D508,085 S * 8/2005 Herrmannsen et al. D19/69
- D542,846 S * 5/2007 Suzuki D19/69
- D543,239 S * 5/2007 Suzuki D19/69
- D543,240 S * 5/2007 Suzuki D19/69
- D555,199 S * 11/2007 Ono D19/69
- D555,200 S * 11/2007 Ono D19/69

FIG. 2 is a rear view of the design according to the invention.

FIG. 3 is a top view of the design according to the invention.

FIG. 4 is a bottom view of the design according to the invention.

FIG. 5 is a right side view of the design according to the invention; and,

FIG. 6 is a left side view of the design according to the invention.

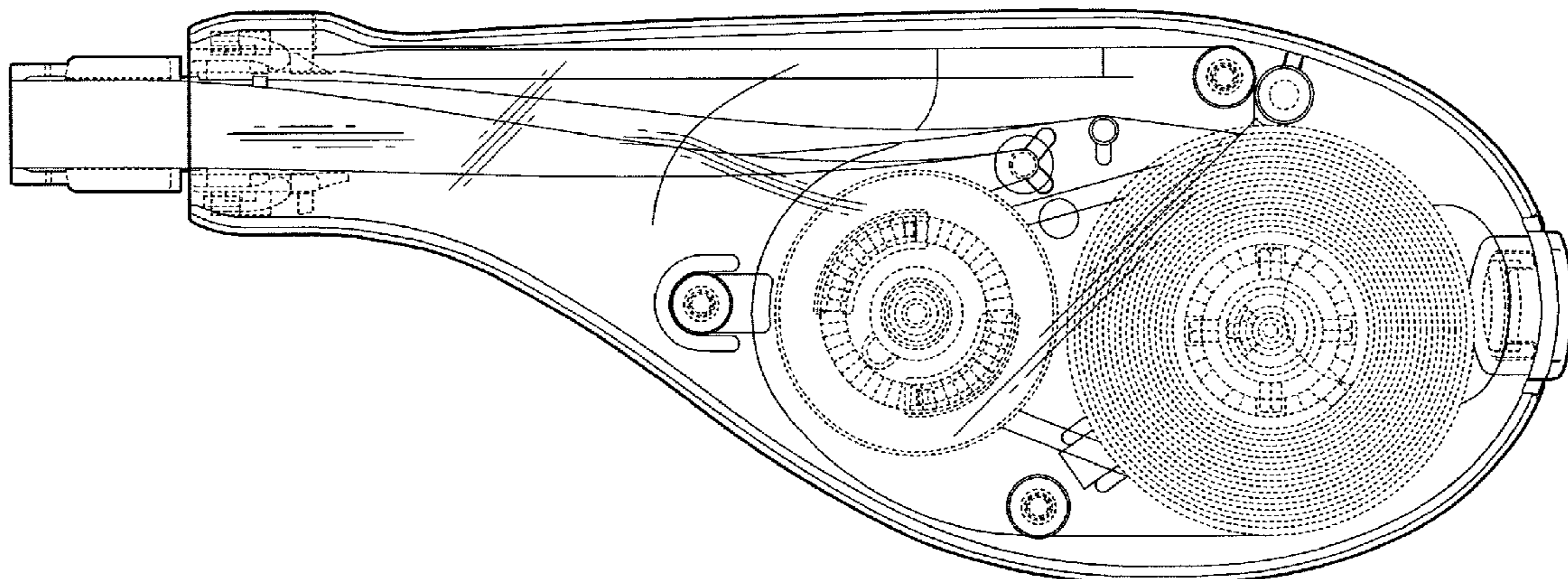
The elements shown in broken lines are for illustrative purposes only and form no part of the claimed design.

The portions shown in diagonal lines are transparent.

FOREIGN PATENT DOCUMENTS

JP 1224356 9/1989

1 Claim, 4 Drawing Sheets



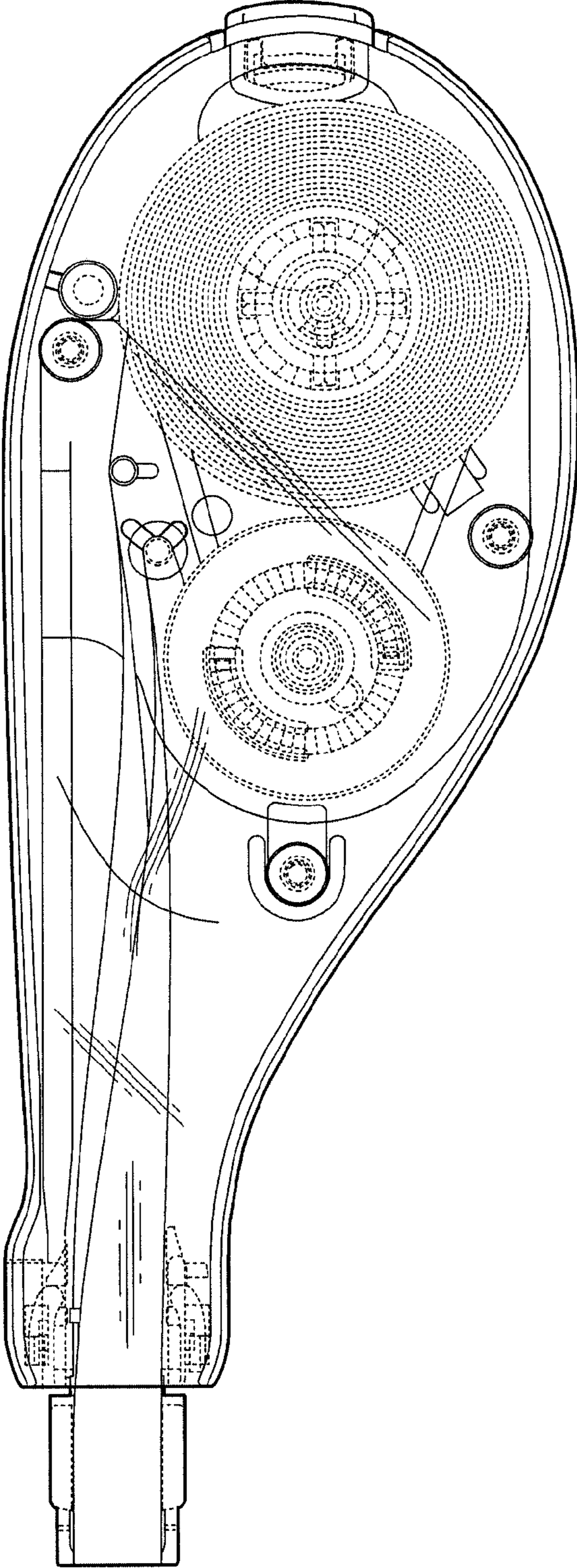


FIG. 1

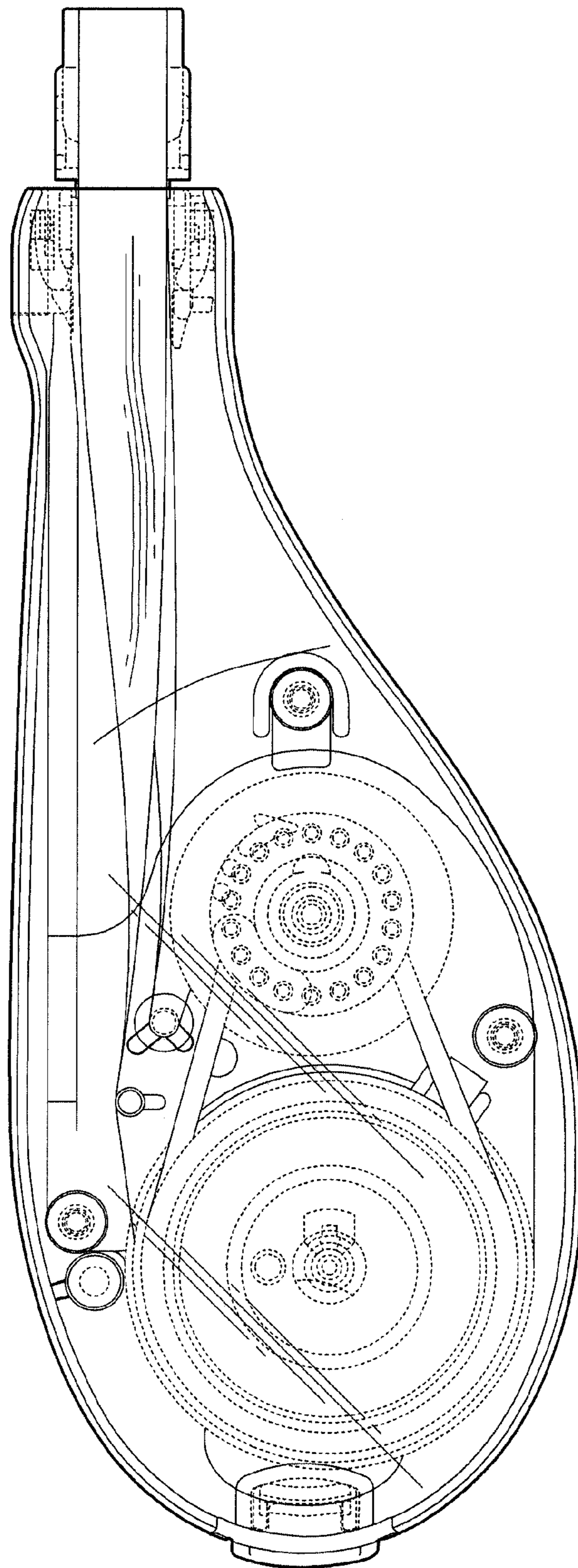


FIG. 2

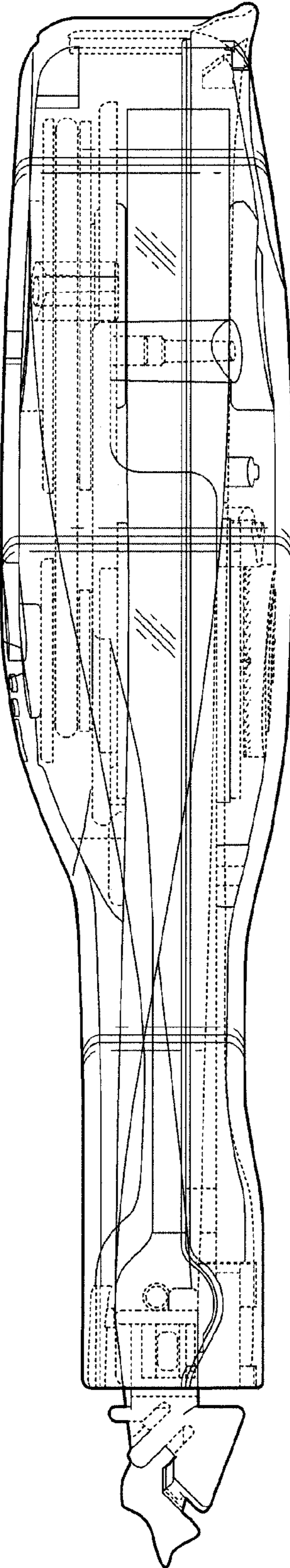


FIG. 3

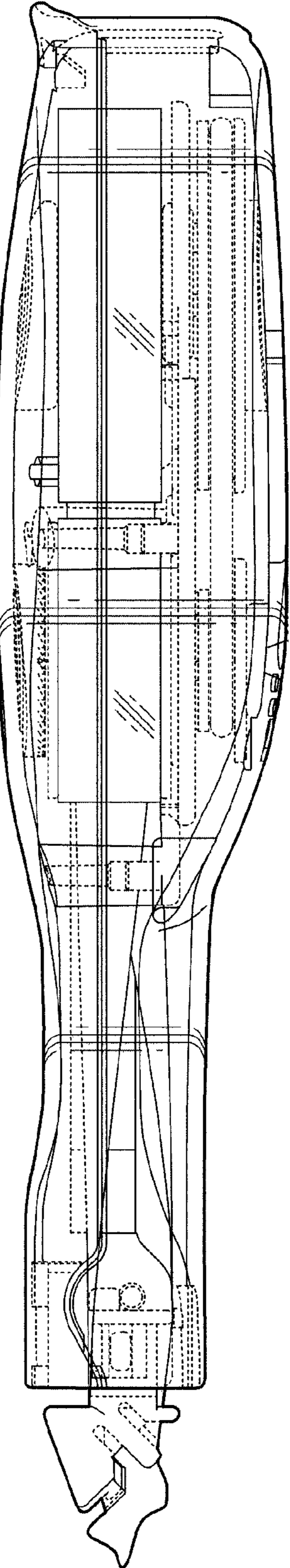


FIG. 4

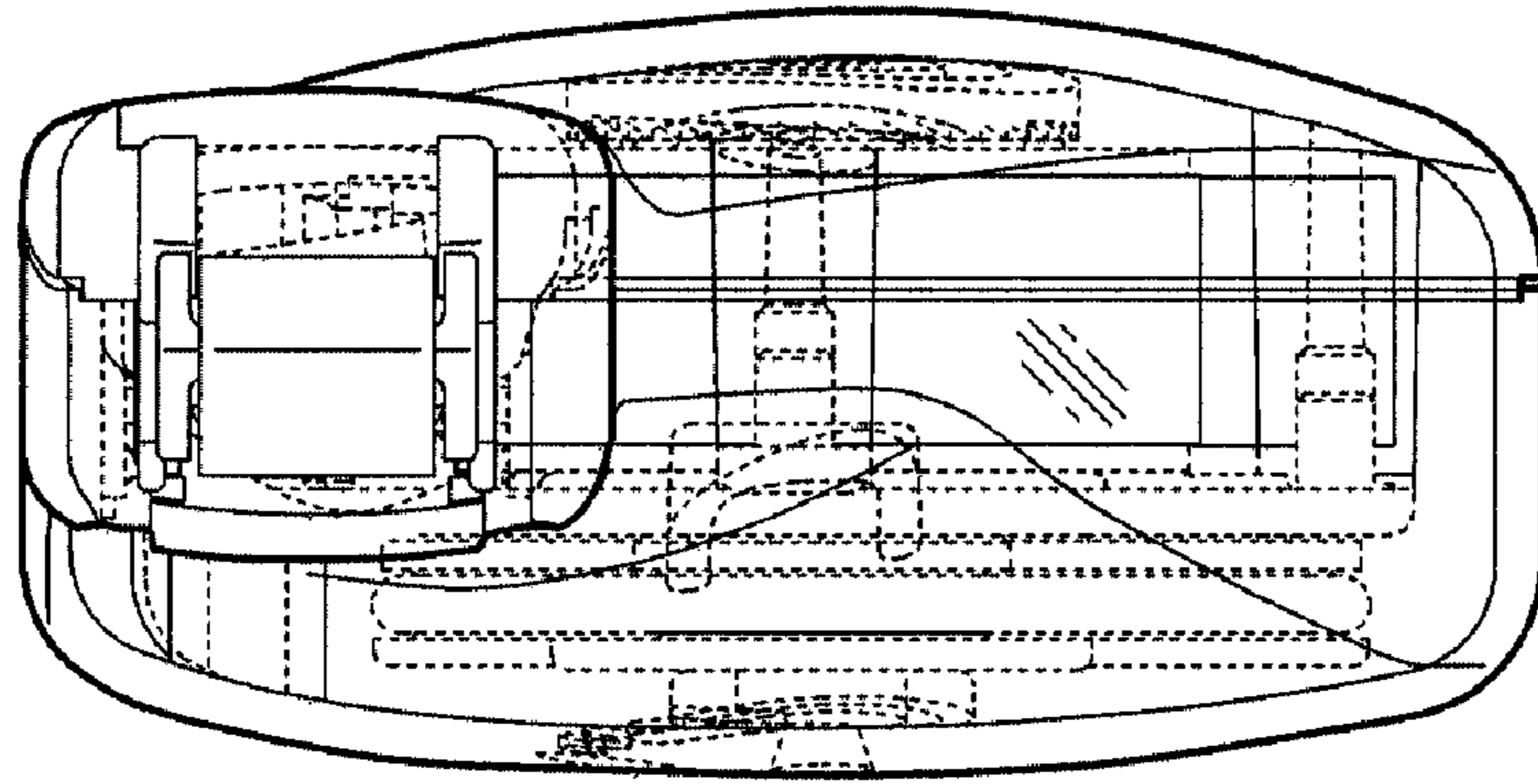


FIG. 6

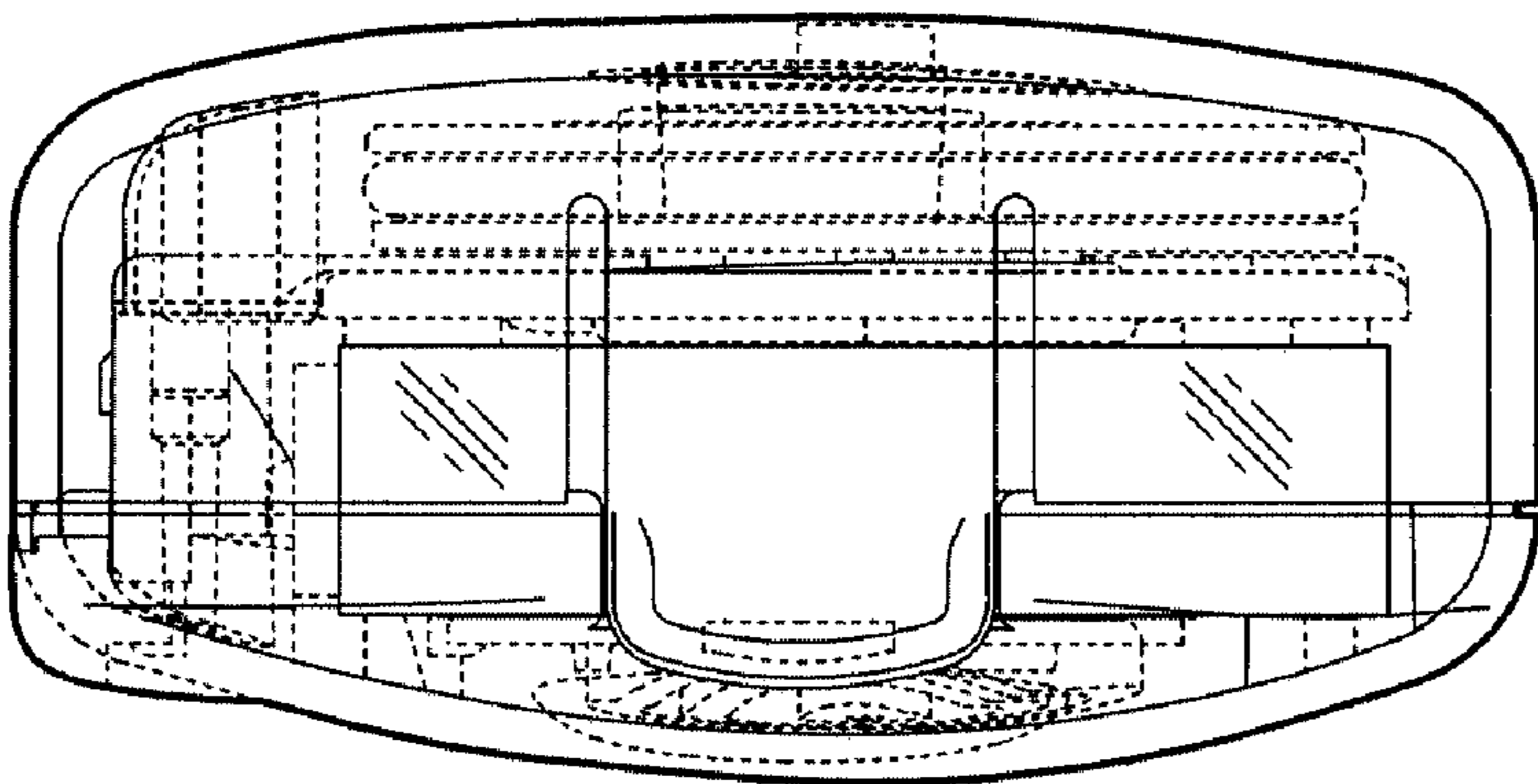


FIG. 5