



US00D594903S

(12) **United States Design Patent**  
**Lau**

(10) **Patent No.:** **US D594,903 S**  
(45) **Date of Patent:** **\*\* Jun. 23, 2009**

(54) **INTEGRATED TABBED NOTE AND CLIP KIT**

(76) Inventor: **Janet K. Lau**, 1937 Abreu Way, Union City, CA (US) 94587

(\*\*) Term: **14 Years**

(21) Appl. No.: **29/278,035**

(22) Filed: **Mar. 16, 2007**

(51) **LOC (9) Cl.** ..... **19-02**

(52) **U.S. Cl.** ..... **D19/65**

(58) **Field of Classification Search** ..... D3/263,  
D3/295, 302, 304, 313, 319; D6/475, 512,  
D6/515, 629; D9/414, 432; D19/1, 2, 5,  
D19/6, 34, 65, 75, 86, 90, 91, 99, 100; D20/27,  
D20/40, 43; 24/67.3, 67 R, 67.9, 489, 67.11,  
24/531, 545, 546, 547, 551, 552, 555; 40/300,  
40/301, 302, 360, 384, 641, 649, 653, 658,  
40/659, 666; 116/236, 237; 206/39, 214,  
206/215, 223, 268, 425, 449, 470, 576, 736,  
206/183

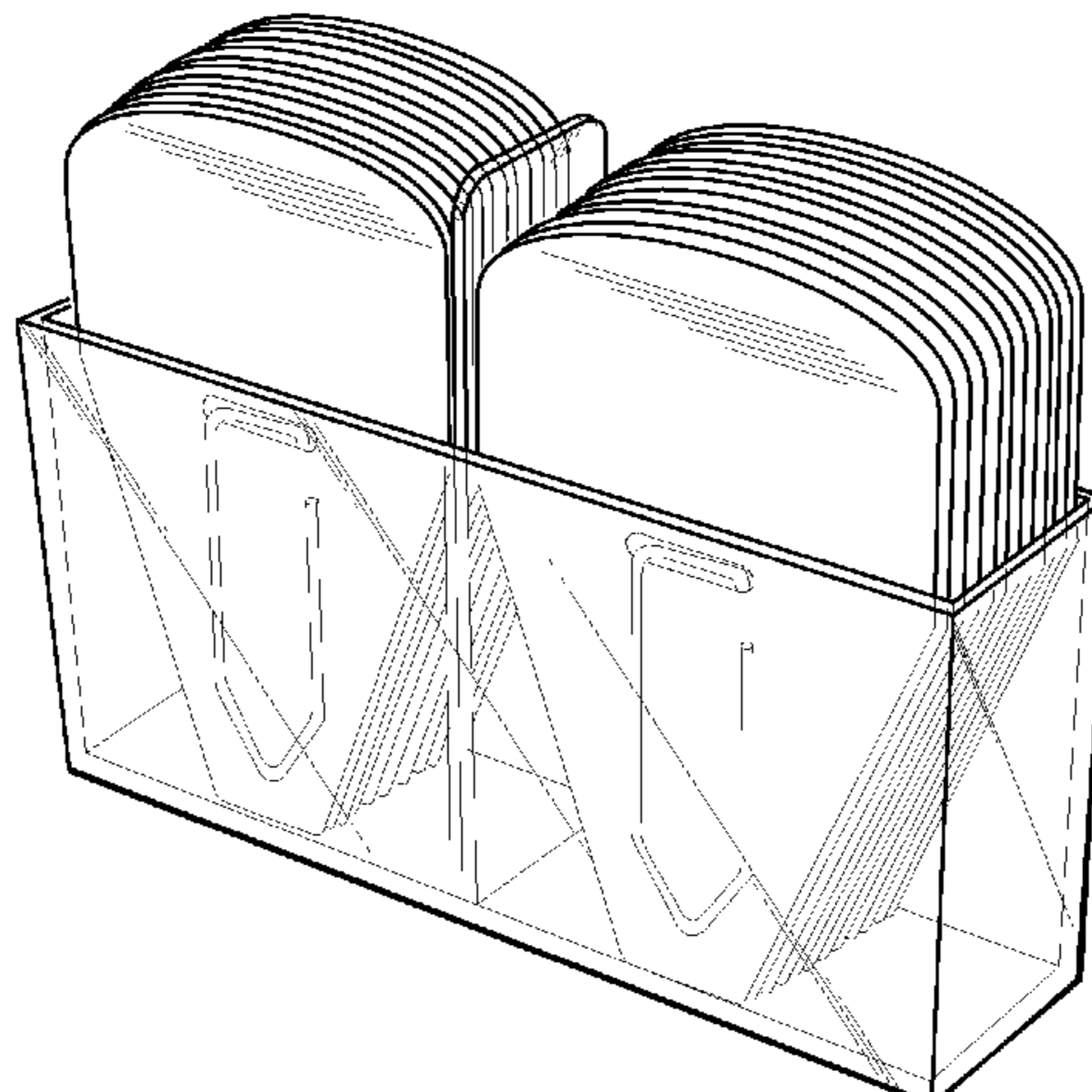
See application file for complete search history.

(56) **References Cited**

**U.S. PATENT DOCUMENTS**

|               |         |                      |
|---------------|---------|----------------------|
| 332,327 A     | 12/1885 | Clark                |
| 863,265 A     | 8/1907  | Crouse               |
| 876,252 A     | 1/1908  | Baker                |
| 962,397 A     | 6/1910  | Whitmore             |
| 1,052,505 A   | 2/1913  | Munger et al.        |
| 1,123,008 A   | 12/1914 | Rice                 |
| 1,133,664 A * | 3/1915  | Plummer ..... 24/555 |
| 1,158,940 A   | 11/1915 | Litt et al.          |
| 1,178,113 A   | 4/1916  | Turton et al.        |
| D50,594 S     | 4/1917  | Voges                |
| 1,337,607 A * | 4/1920  | Klenke ..... 24/551  |
| 1,345,365 A   | 7/1920  | Hutchison            |
| 1,465,576 A   | 8/1923  | Biggs                |
| 1,501,067 A   | 7/1924  | Schaffert            |
| 1,524,478 A   | 1/1925  | Hunter               |
| 1,587,335 A   | 6/1926  | Kline                |
| 1,661,165 A   | 3/1928  | Cameron              |
| 1,778,031 A   | 10/1930 | Kinch                |

|               |         |                        |
|---------------|---------|------------------------|
| 1,802,980 A   | 4/1931  | Marsh                  |
| 1,826,580 A   | 10/1931 | Spinney                |
| 1,840,604 A   | 1/1932  | Randall                |
| 1,894,906 A   | 1/1933  | Henry                  |
| 1,914,671 A   | 6/1933  | O'Neil                 |
| 1,976,465 A   | 10/1934 | Thomson                |
| 1,977,096 A   | 10/1934 | Straubel               |
| 1,985,866 A   | 12/1934 | Lankenau               |
| 1,997,894 A   | 4/1935  | Woodley                |
| 2,008,019 A   | 7/1935  | Horlick, Jr.           |
| D104,956 S    | 6/1937  | Baker                  |
| 2,097,690 A   | 11/1937 | Ferngren               |
| 2,118,043 A   | 5/1938  | Goza                   |
| 2,156,743 A   | 5/1939  | Skrebba                |
| 2,186,508 A * | 1/1940  | Tremmel ..... 40/659   |
| 2,218,438 A   | 10/1940 | Robinson               |
| 2,323,552 A   | 7/1943  | Marion                 |
| D136,639 S    | 11/1943 | Hoffman                |
| 2,362,445 A   | 11/1944 | Blodgett               |
| 2,415,248 A   | 2/1947  | Kenna et al.           |
| 2,420,021 A   | 5/1947  | Straubel               |
| 2,575,257 A   | 11/1951 | Boulware               |
| 2,623,311 A   | 12/1952 | Condon                 |
| 2,695,026 A   | 11/1954 | Broneer                |
| 2,911,104 A   | 11/1959 | Hooper                 |
| 3,073,046 A   | 1/1963  | Condon                 |
| 3,092,301 A   | 6/1963  | Selle                  |
| 3,123,924 A   | 3/1964  | Roberts                |
| 3,225,469 A   | 12/1965 | Chase                  |
| 3,247,602 A   | 4/1966  | Hamilton et al.        |
| 3,290,810 A   | 12/1966 | Morena                 |
| 3,360,877 A   | 1/1968  | Estep                  |
| 3,813,813 A   | 6/1974  | Powell                 |
| 3,840,943 A * | 10/1974 | Langwell ..... 24/67.9 |
| 3,913,181 A * | 10/1975 | Walker ..... 24/67.9   |
| 3,934,368 A   | 1/1976  | Fearing                |
| D241,342 S    | 9/1976  | Carroll                |
| D268,848 S    | 5/1983  | Lorber                 |
| 4,384,417 A   | 5/1983  | Thompson               |
| 4,425,724 A   | 1/1984  | Scott                  |
| 4,646,455 A   | 3/1987  | Gardner                |
| 4,691,458 A   | 9/1987  | Scott                  |
| D295,540 S    | 5/1988  | Rabig                  |
| D299,094 S    | 12/1988 | Mills                  |
| 4,878,302 A   | 11/1989 | Jowsey                 |
| D304,958 S *  | 12/1989 | Gutierrez ..... D19/65 |
| 4,951,408 A   | 8/1990  | Banks                  |
| D314,012 S    | 1/1991  | Klodt                  |
| D327,183 S    | 6/1992  | Meyer                  |



|              |      |         |              |         |
|--------------|------|---------|--------------|---------|
| 5,199,203    | A    | 4/1993  | Jones        |         |
| D337,940     | S    | 8/1993  | Aquino       |         |
| D348,390     | S    | 7/1994  | Van Ness     |         |
| D352,855     | S    | 11/1994 | Wolff        |         |
| 5,406,680    | A *  | 4/1995  | Silverberg   | 24/67.9 |
| 5,481,784    | A    | 1/1996  | Sinaiko      |         |
| D368,487     | S *  | 4/1996  | Lindberg     | D19/1   |
| 5,507,459    | A    | 4/1996  | Kiera        |         |
| D382,405     | S    | 8/1997  | Ohayon       |         |
| D383,789     | S    | 9/1997  | Shyu         |         |
| 5,695,219    | A    | 12/1997 | Crawford     |         |
| D396,885     | S *  | 8/1998  | Shyu         | D19/65  |
| D399,529     | S *  | 10/1998 | Shyu         | D19/65  |
| D409,245     | S    | 5/1999  | Wolff        |         |
| D415,206     | S *  | 10/1999 | Gaines       | D20/27  |
| D416,040     | S    | 11/1999 | Kasom et al. |         |
| 5,996,130    | A    | 12/1999 | Verhines     |         |
| D452,153     | S    | 12/2001 | Dardashti    |         |
| D465,525     | S    | 11/2002 | Dilday       |         |
| D474,688     | S    | 5/2003  | Litts        |         |
| D476,172     | S    | 6/2003  | Bourne, Sr.  |         |
| D480,754     | S *  | 10/2003 | Berger       | D19/1   |
| D510,102     | S *  | 9/2005  | Gray         | D19/2   |
| D540,869     | S *  | 4/2007  | Lau          | D19/65  |
| D562,899     | S *  | 2/2008  | Lau          | D19/65  |
| D562,900     | S *  | 2/2008  | Lau          | D19/65  |
| D563,475     | S *  | 3/2008  | Lau          | D19/65  |
| D564,590     | S *  | 3/2008  | Lau          | D19/65  |
| D565,107     | S *  | 3/2008  | Lau          | D19/65  |
| D565,108     | S *  | 3/2008  | Lau          | D19/65  |
| D566,769     | S *  | 4/2008  | Lau          | D19/65  |
| D568,397     | S *  | 5/2008  | Lau          | D19/65  |
| D568,398     | S *  | 5/2008  | Lau          | D19/65  |
| D573,190     | S *  | 7/2008  | Lau          | D19/65  |
| D573,192     | S *  | 7/2008  | Lau          | D19/65  |
| D574,041     | S *  | 7/2008  | Lau          | D19/65  |
| D580,981     | S *  | 11/2008 | Lau          | D19/65  |
| 2004/0221493 | A1   | 11/2004 | LaMalfa      |         |
| 2005/0217078 | A1   | 10/2005 | Groch et al. |         |
| 2006/0000133 | A1   | 1/2006  | Windorski    |         |
| 2006/0107496 | A1 * | 5/2006  | Cheng        | 24/67.9 |

FOREIGN PATENT DOCUMENTS

|    |             |   |         |
|----|-------------|---|---------|
| JP | 09-071065   | A | 3/1997  |
| JP | 2001-353992 | A | 12/2001 |

\* cited by examiner

Primary Examiner—Cathron C Brooks  
Assistant Examiner—Austin Murphy  
(74) Attorney, Agent, or Firm—Aka Chan LLP

(57) CLAIM

The ornamental design for an integrated tabbed note and clip kit, as shown and described.

DESCRIPTION

FIG. 1 shows a perspective view of a first embodiment of a design for an integrated tabbed note and clip kit.  
FIG. 2 shows a top view of the first embodiment.  
FIG. 3 shows a front view of the first embodiment.  
FIG. 4 shows a right-side view of the first embodiment. A left-side view of this embodiment is a mirror image of this figure.  
FIG. 5 shows a back view of the first embodiment.  
FIG. 6 shows a bottom view of the first embodiment.

FIG. 7 shows a perspective view of a second embodiment of a design for an integrated tabbed note and clip kit.  
FIG. 8 shows a top view of the second embodiment.  
FIG. 9 shows a front view of the second embodiment.  
FIG. 10 shows a right-side view of the second embodiment. A left-side view of this embodiment is a mirror image of this figure.  
FIG. 11 shows a back view of the second embodiment.  
FIG. 12 shows a bottom view of the second embodiment.  
FIG. 13 shows a perspective view of a third embodiment of a design for an integrated tabbed note and clip kit.  
FIG. 14 shows a top view of the third embodiment.  
FIG. 15 shows a front view of the third embodiment.  
FIG. 16 shows a right-side view of the third embodiment. A left-side view of this embodiment is a mirror image of this figure.  
FIG. 17 shows a back view of the third embodiment.  
FIG. 18 shows a bottom view of the third embodiment.  
FIG. 19 shows a perspective view of a fourth embodiment of a design for an integrated tabbed note and clip kit.  
FIG. 20 shows a top view of the fourth embodiment.  
FIG. 21 shows a front view of the fourth embodiment.  
FIG. 22 shows a right-side view of the fourth embodiment. A left-side view of this embodiment is a mirror image of this figure.  
FIG. 23 shows a back view of the fourth embodiment.  
FIG. 24 shows a bottom view of the fourth embodiment.  
FIG. 25 shows a perspective view of a fifth embodiment of a design for an integrated tabbed note and clip kit.  
FIG. 26 shows a top view of the fifth embodiment.  
FIG. 27 shows a front view of the fifth embodiment.  
FIG. 28 shows a right-side view of the fifth embodiment. A left-side view of this embodiment is a mirror image of this figure.  
FIG. 29 shows a back view of the fifth embodiment.  
FIG. 30 shows a bottom view of the fifth embodiment.  
FIG. 31 shows a perspective view of a sixth embodiment of a design for an integrated tabbed note and clip kit.  
FIG. 32 shows a top view of the sixth embodiment.  
FIG. 33 shows a front view of the sixth embodiment.  
FIG. 34 shows a right-side view of the sixth embodiment. A left-side view of this embodiment is a mirror image of this figure.  
FIG. 35 shows a back view of the sixth embodiment.  
FIG. 36 shows a bottom view of the sixth embodiment.  
FIG. 37 shows a perspective view of a seventh embodiment of a design for an integrated tabbed note and clip kit.  
FIG. 38 shows a top view of the seventh embodiment.  
FIG. 39 shows a front view of the seventh embodiment.  
FIG. 40 shows a right-side view of the seventh embodiment. A left-side view of this embodiment is a mirror image of this figure.  
FIG. 41 shows a back view of the seventh embodiment.  
FIG. 42 shows a bottom view of the seventh embodiment.

FIG. 43 shows a perspective view of an eighth embodiment of a design for an integrated tabbed note and clip kit.

FIG. 44 shows a top view of the eighth embodiment.

FIG. 45 shows a front view of the eighth embodiment.

FIG. 46 shows a right-side view of the eighth embodiment. A left-side view of this embodiment is a mirror image of this figure.

FIG. 47 shows a back view of the eighth embodiment.

FIG. 48 shows a bottom view of the eighth embodiment.

FIG. 49 shows a perspective view of a ninth embodiment of a design for an integrated tabbed note and clip kit.

FIG. 50 shows a top view of the ninth embodiment.

FIG. 51 shows a front view of the ninth embodiment.

FIG. 52 shows a right-side view of the ninth embodiment. A left-side view of this embodiment is a mirror image of this figure.

FIG. 53 shows a back view of the ninth embodiment.

FIG. 54 shows a bottom view of the ninth embodiment.

FIG. 55 shows a perspective view of a tenth embodiment of a design for an integrated tabbed note and clip kit.

FIG. 56 shows a top view of the tenth embodiment.

FIG. 57 shows a front view of the tenth embodiment.

FIG. 58 shows a right-side view of the tenth embodiment. A left-side view of this embodiment is a mirror image of this figure.

FIG. 59 shows a back view of the tenth embodiment.

FIG. 60 shows a bottom view of the tenth embodiment.

FIG. 61 shows a perspective view of an eleventh embodiment of a design for an integrated tabbed note and clip kit.

FIG. 62 shows a top view of the eleventh embodiment.

FIG. 63 shows a front view of the eleventh embodiment.

FIG. 64 shows a right-side view of the eleventh embodiment. A left-side view of this embodiment is a mirror image of this figure.

FIG. 65 shows a back view of the eleventh embodiment.

FIG. 66 shows a bottom view of the eleventh embodiment.

FIG. 67 shows a perspective view of a twelfth embodiment of a design for an integrated tabbed note and clip kit.

FIG. 68 shows a top view of the twelfth embodiment.

FIG. 69 shows a front view of the twelfth embodiment.

FIG. 70 shows a right-side view of the twelfth embodiment. A left-side view of this embodiment is a mirror image of this figure.

FIG. 71 shows a back view of the twelfth embodiment.

FIG. 72 shows a bottom view of the twelfth embodiment.

FIG. 73 shows a perspective view of a thirteenth embodiment of a design for an integrated tabbed note and clip kit.

FIG. 74 shows a top view of the thirteenth embodiment.

FIG. 75 shows a front view of the thirteenth embodiment.

FIG. 76 shows a right-side view of the thirteenth embodiment. A left-side view of this embodiment is a mirror image of this figure.

FIG. 77 shows a back view of the thirteenth embodiment.

FIG. 78 shows a bottom view of the thirteenth embodiment.

FIG. 79 shows a perspective view of a fourteenth embodiment of a design for an integrated tabbed note and clip kit.

FIG. 80 shows a top view of the fourteenth embodiment.

FIG. 81 shows a front view of the fourteenth embodiment.

FIG. 82 shows a right-side view of the fourteenth embodiment. A left-side view of this embodiment is a mirror image of this figure.

FIG. 83 shows a back view of the fourteenth embodiment.

FIG. 84 shows a bottom view of the fourteenth embodiment.

FIG. 85 shows a perspective view of a fifteenth embodiment of a design for an integrated tabbed note and clip kit.

FIG. 86 shows a top view of the fifteenth embodiment.

FIG. 87 shows a front view of the fifteenth embodiment.

FIG. 88 shows a right-side view of the fifteenth embodiment. A left-side view of this embodiment is a mirror image of this figure.

FIG. 89 shows a back view of the fifteenth embodiment.

FIG. 90 shows a bottom view of the fifteenth embodiment.

FIG. 91 shows a perspective view of a sixteenth embodiment of a design for an integrated tabbed note and clip kit.

FIG. 92 shows a top view of the sixteenth embodiment.

FIG. 93 shows a front view of the sixteenth embodiment.

FIG. 94 shows a right-side view of the sixteenth embodiment. A left-side view of this embodiment is a mirror image of this figure.

FIG. 95 shows a back view of the sixteenth embodiment.

FIG. 96 shows a bottom view of the sixteenth embodiment.

FIG. 97 shows a perspective view of a seventeenth embodiment of a design for an integrated tabbed note and clip kit.

FIG. 98 shows a top view of the seventeenth embodiment.

FIG. 99 shows a front view of the seventeenth embodiment.

FIG. 100 shows a right-side view of the seventeenth embodiment. A left-side view of this embodiment is a mirror image of this figure.

FIG. 101 shows a back view of the seventeenth embodiment.

FIG. 102 shows a bottom view of the seventeenth embodiment.

FIG. 103 shows a perspective view of an eighteenth embodiment of a design for an integrated tabbed note and clip kit.

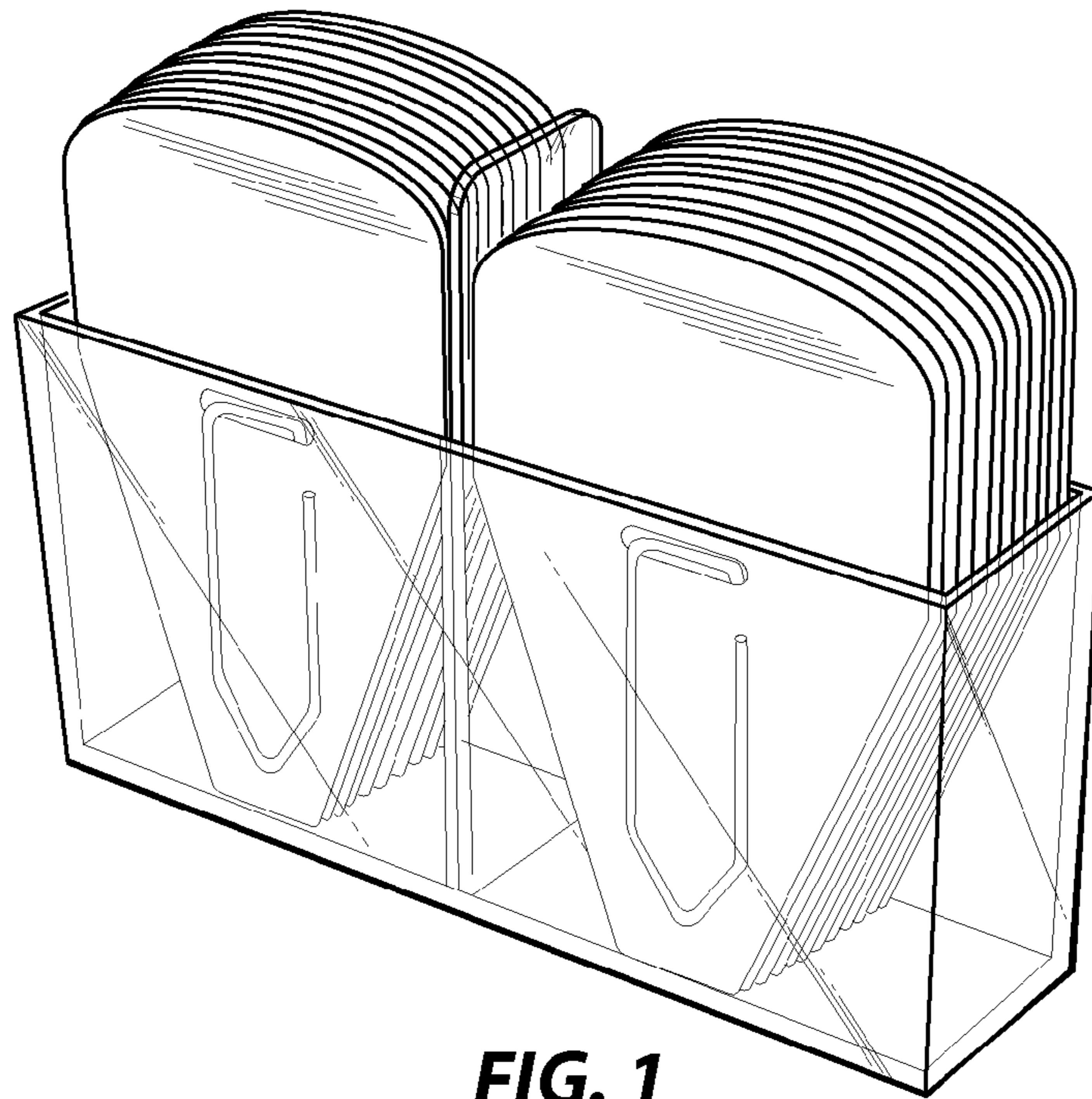
FIG. 104 shows a top view of the eighteenth embodiment.

FIG. 105 shows a front view of the eighteenth embodiment.

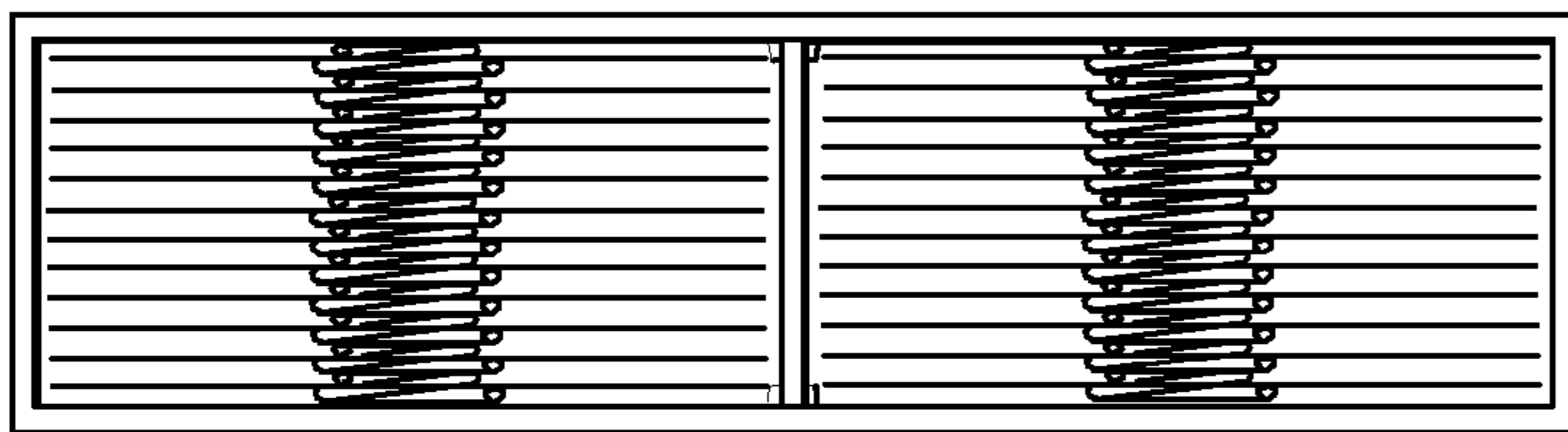
FIG. 106 shows a right-side view of the eighteenth embodiment. A left-side view of this embodiment is a mirror image of this figure.

FIG. 107 shows a back view of the eighteenth embodiment; and,

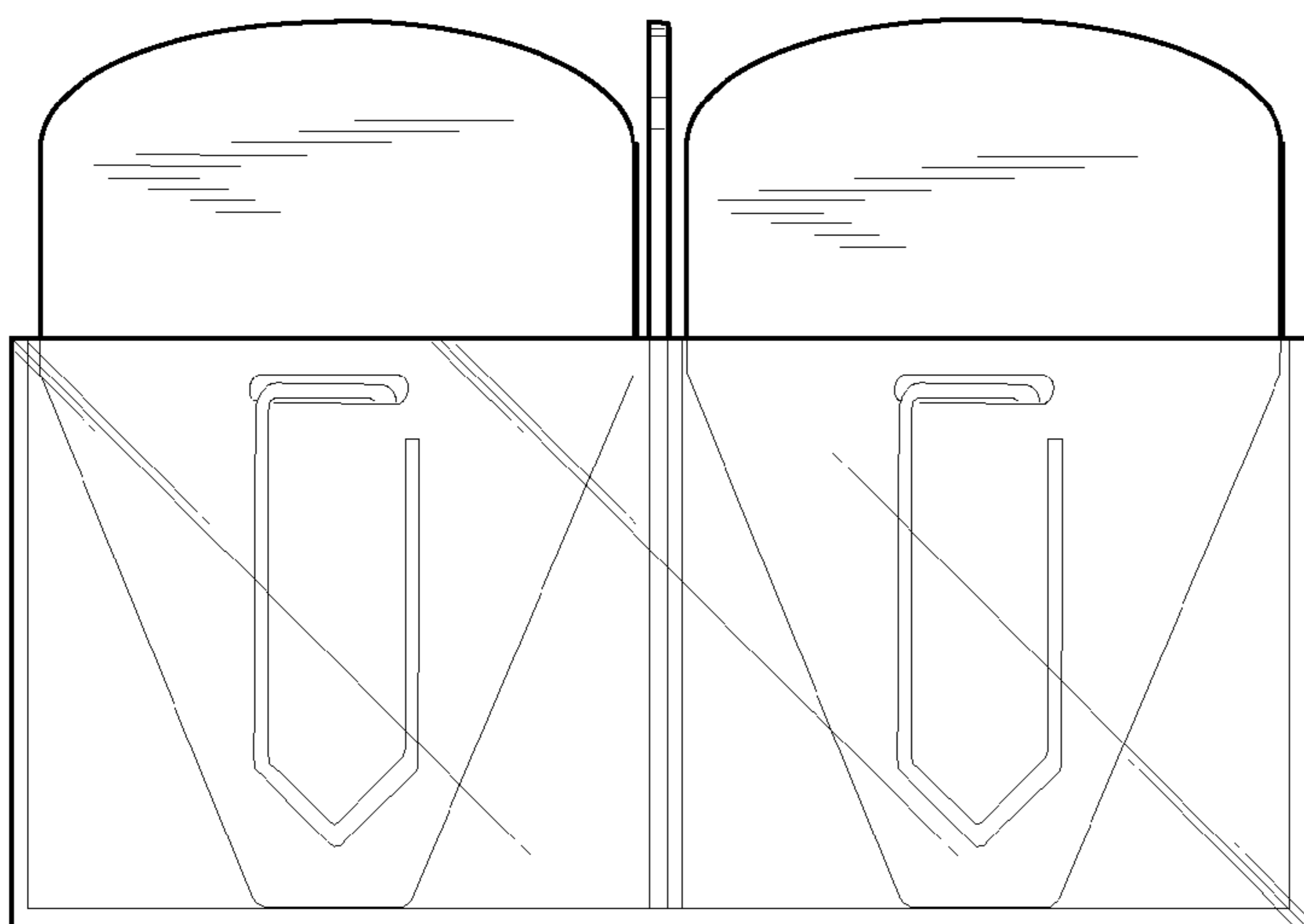
FIG. 108 shows a bottom view of the eighteenth embodiment.



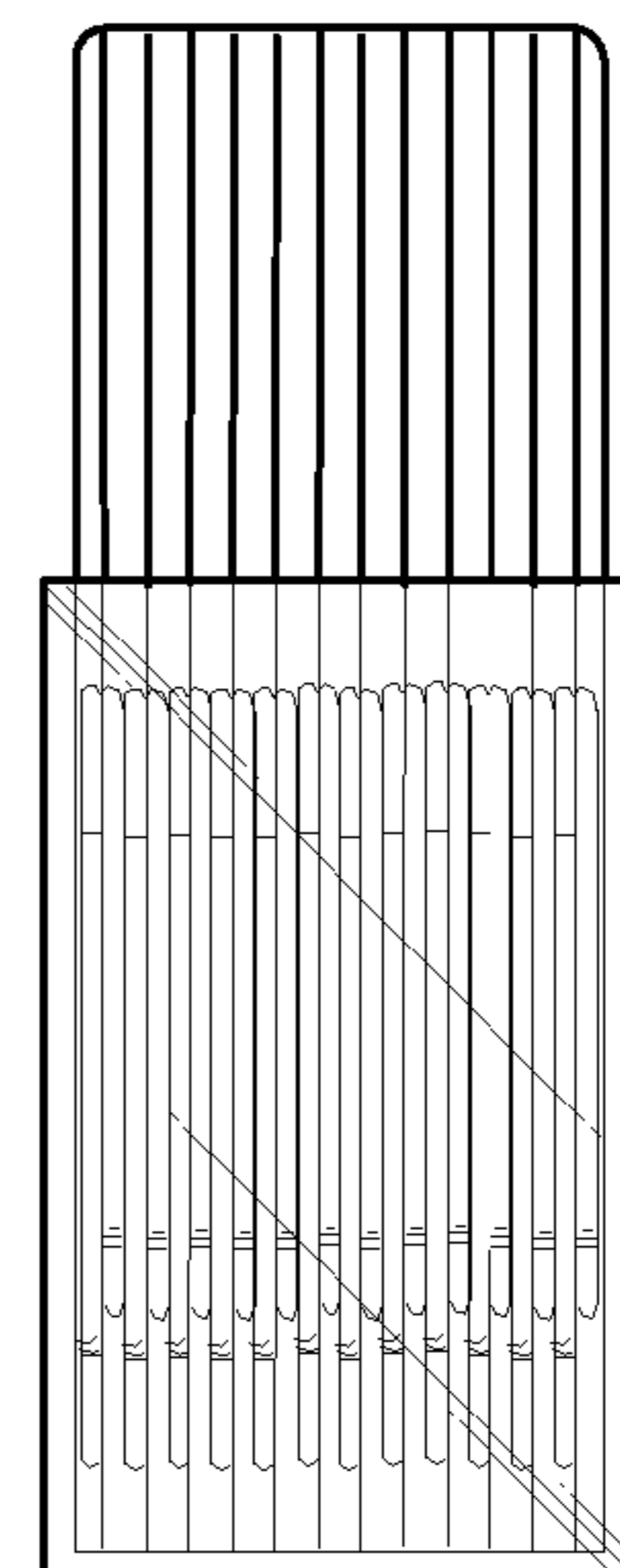
**FIG. 1**



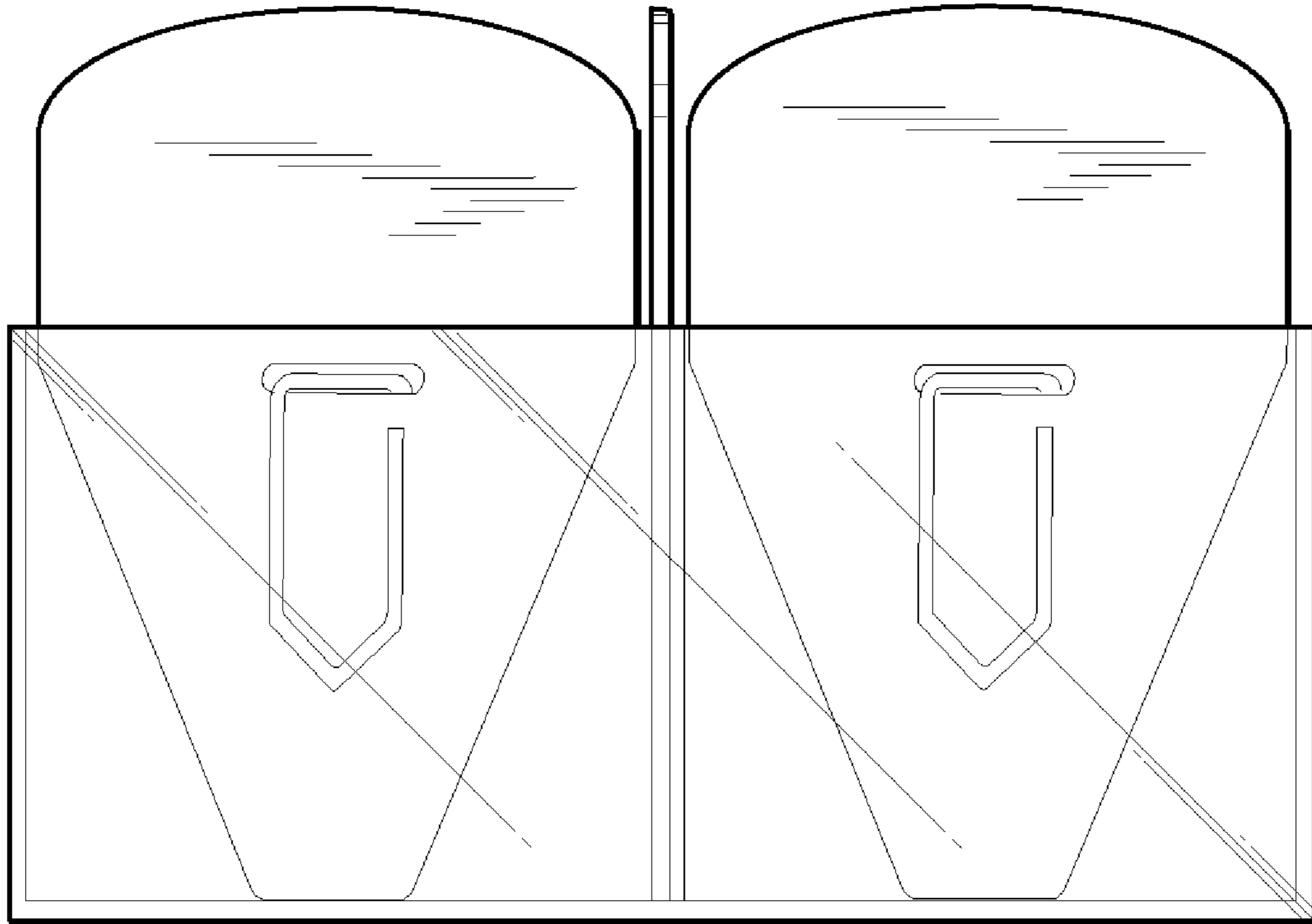
**FIG. 2**



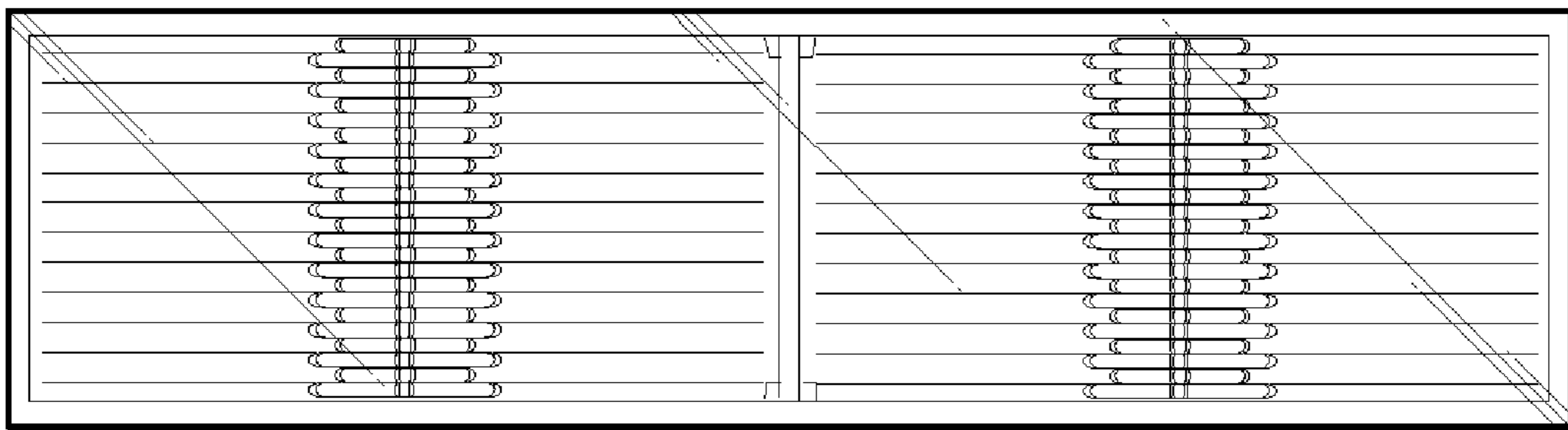
**FIG. 3**



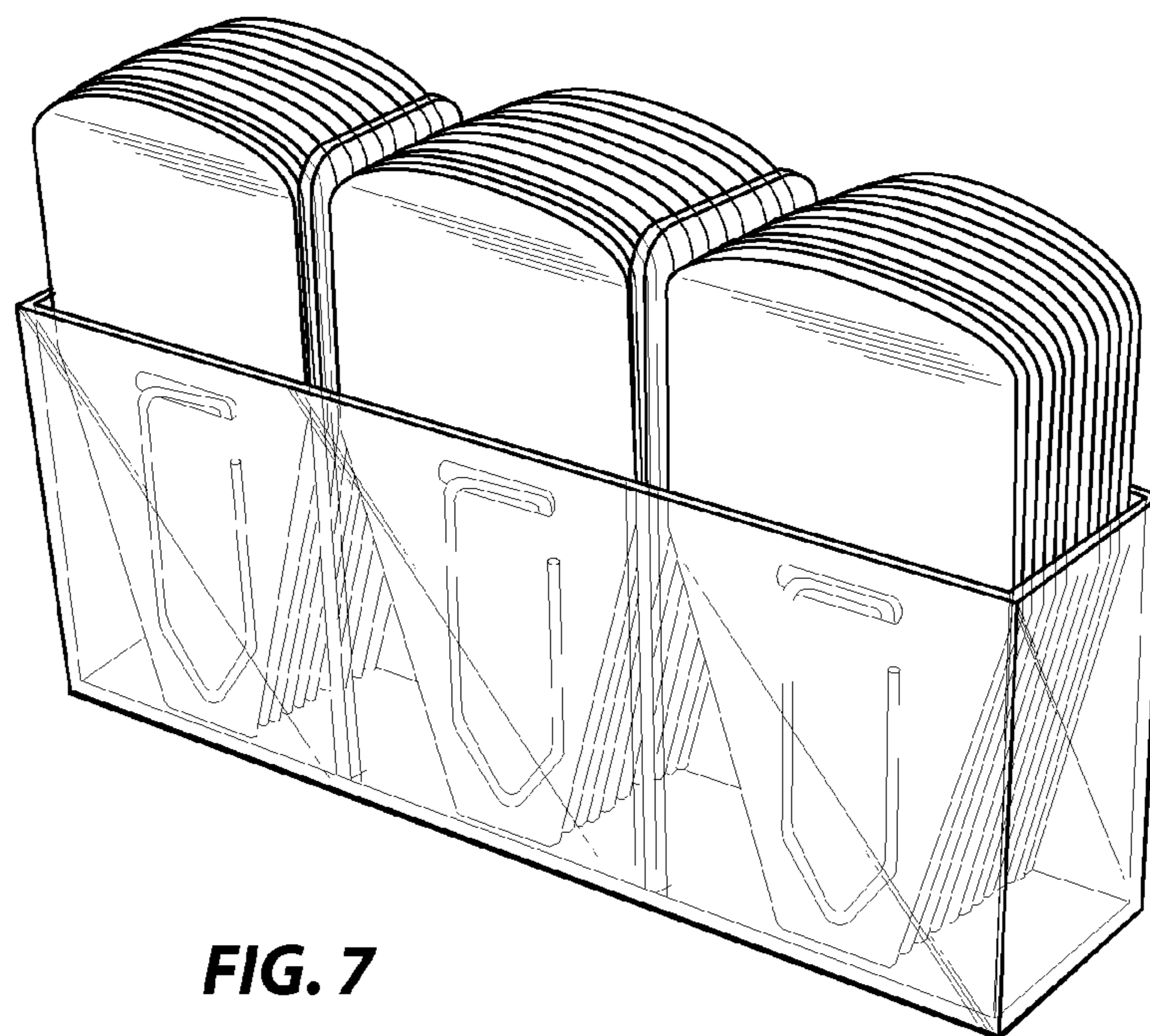
**FIG. 4**



**FIG. 5**



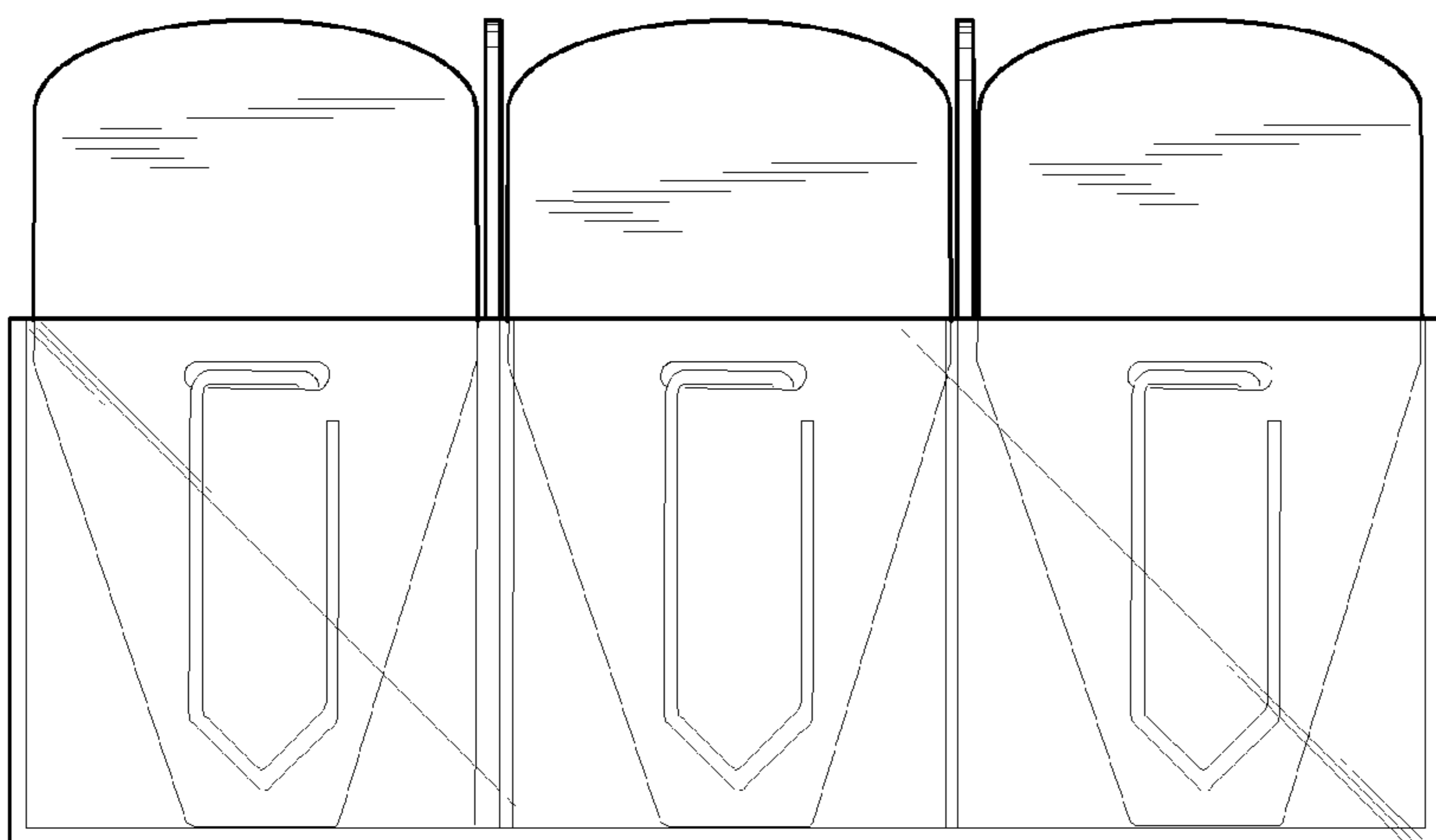
**FIG. 6**



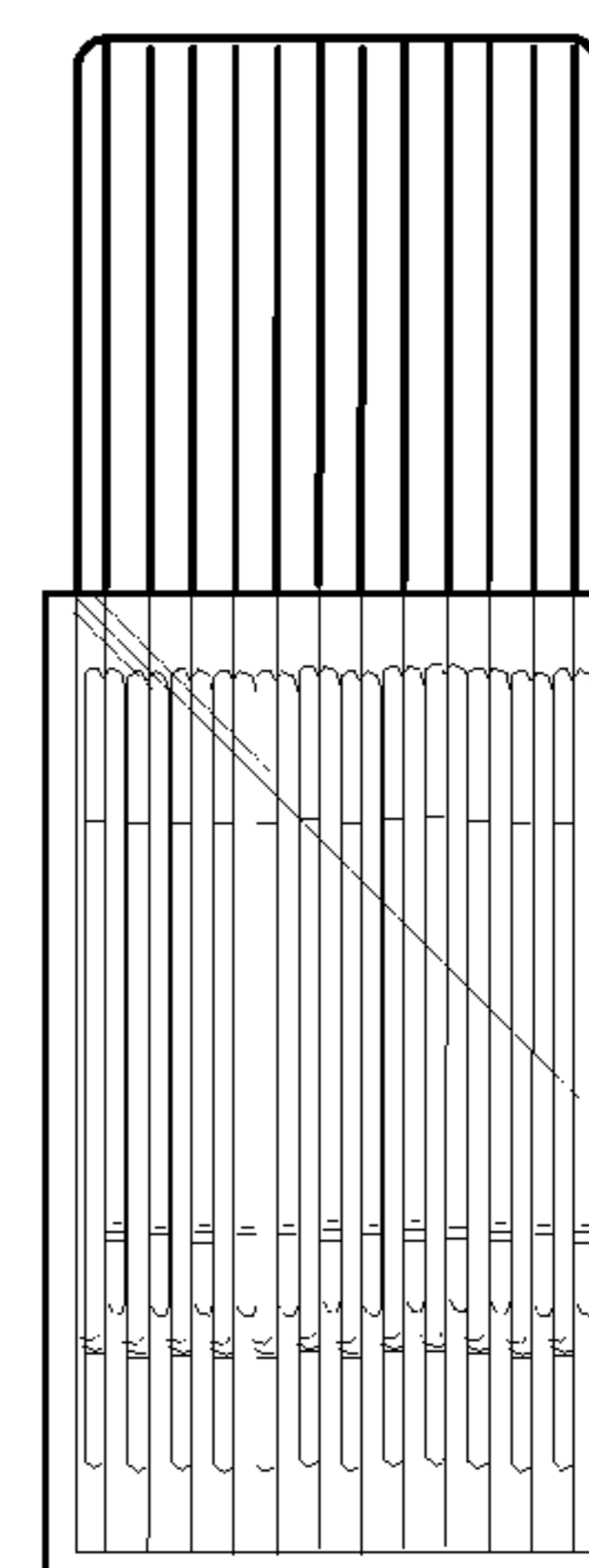
**FIG. 7**



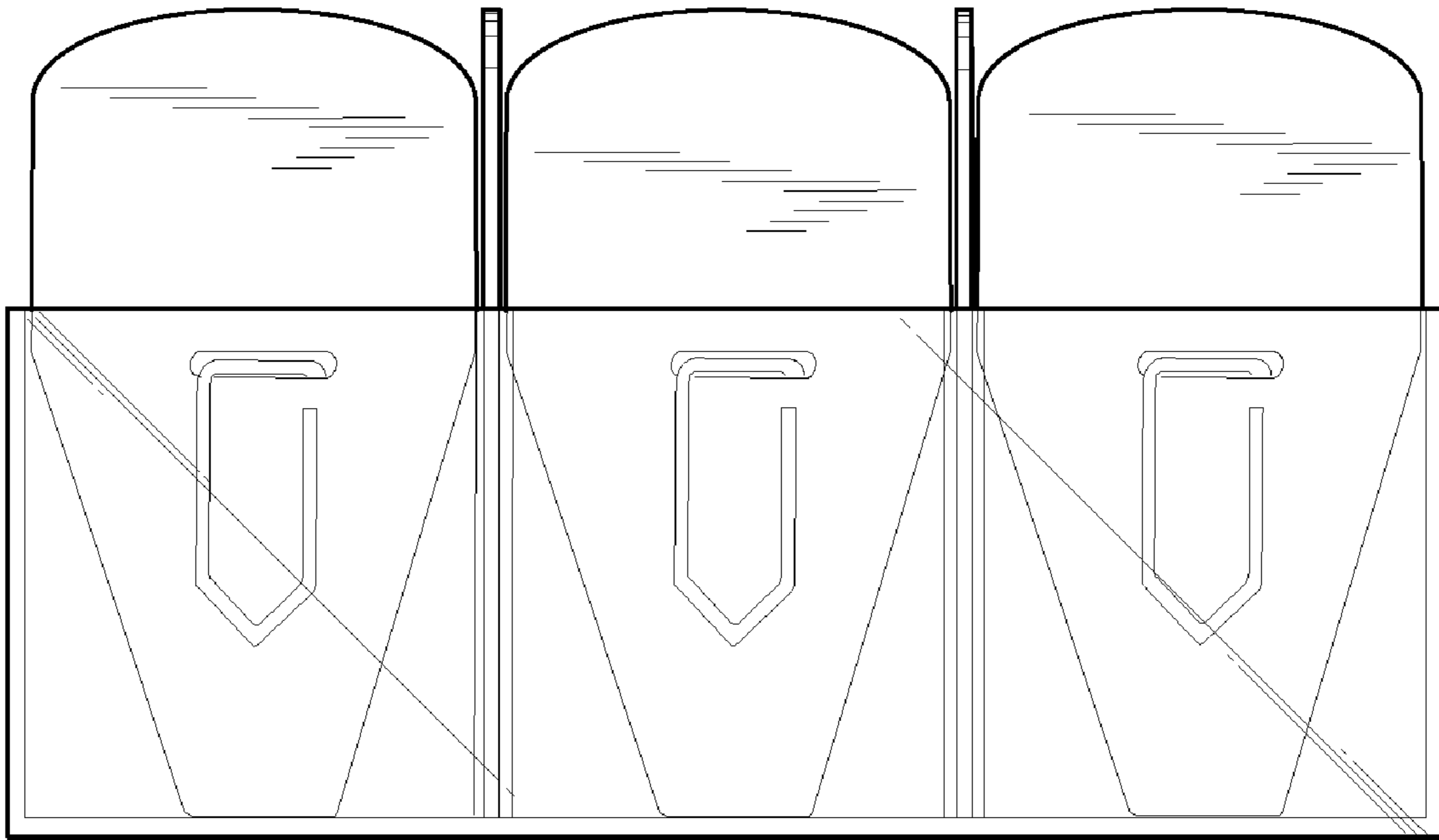
**FIG. 8**



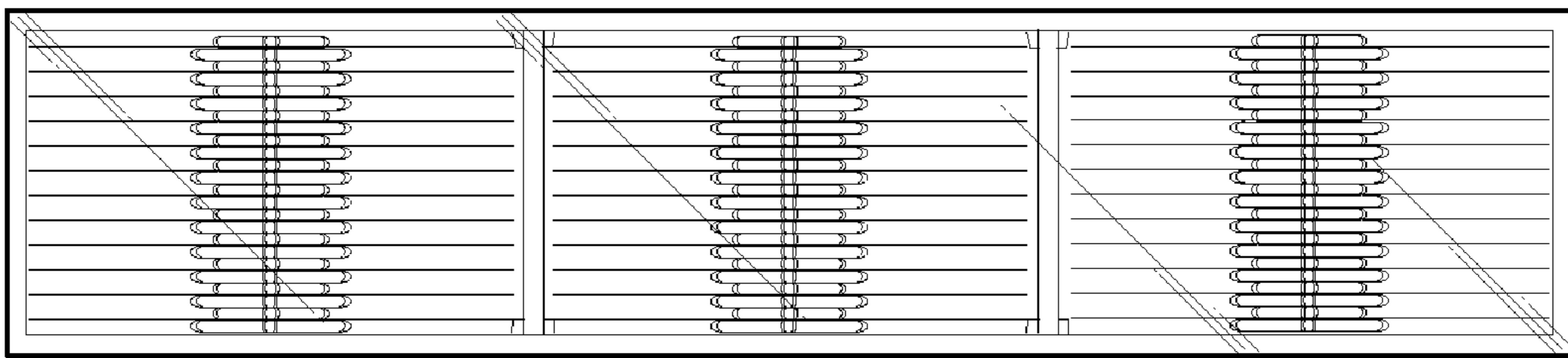
**FIG. 9**



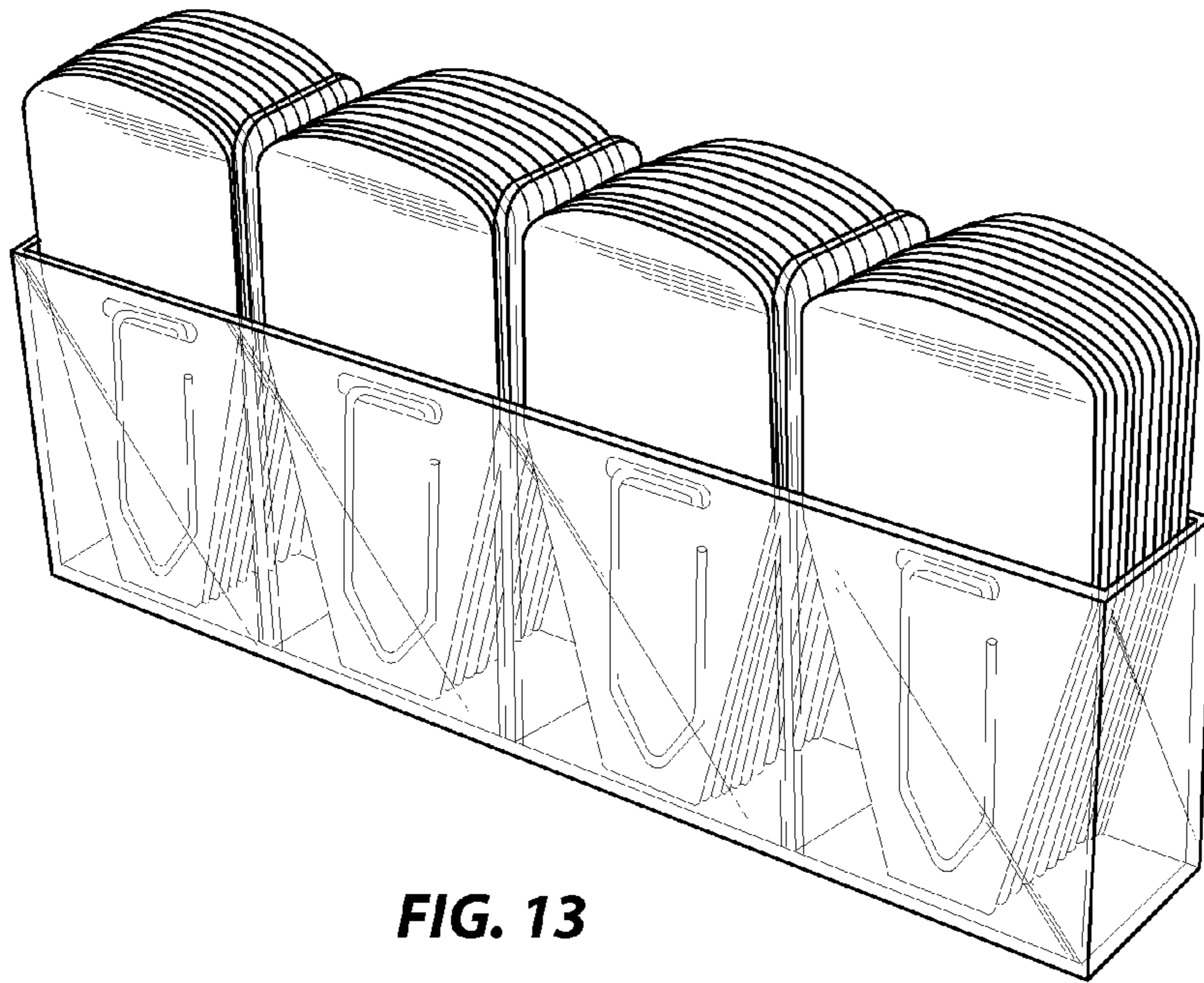
**FIG. 10**



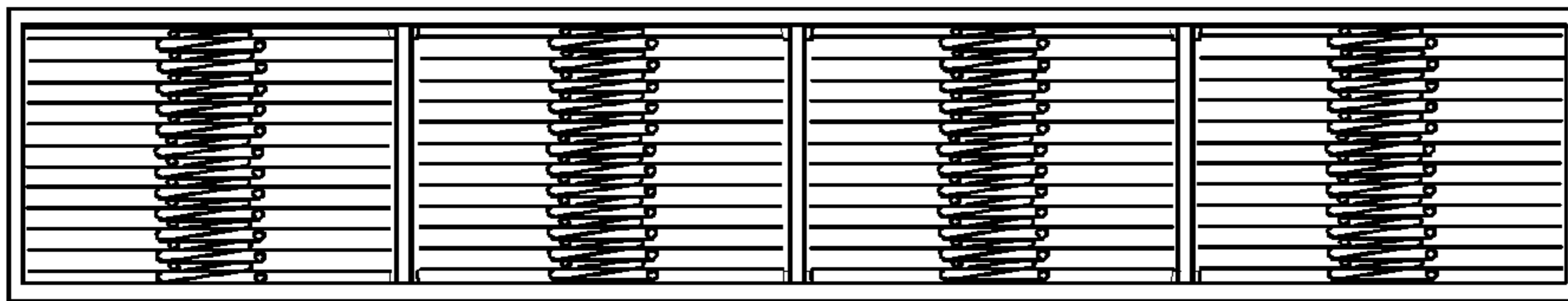
**FIG. 11**



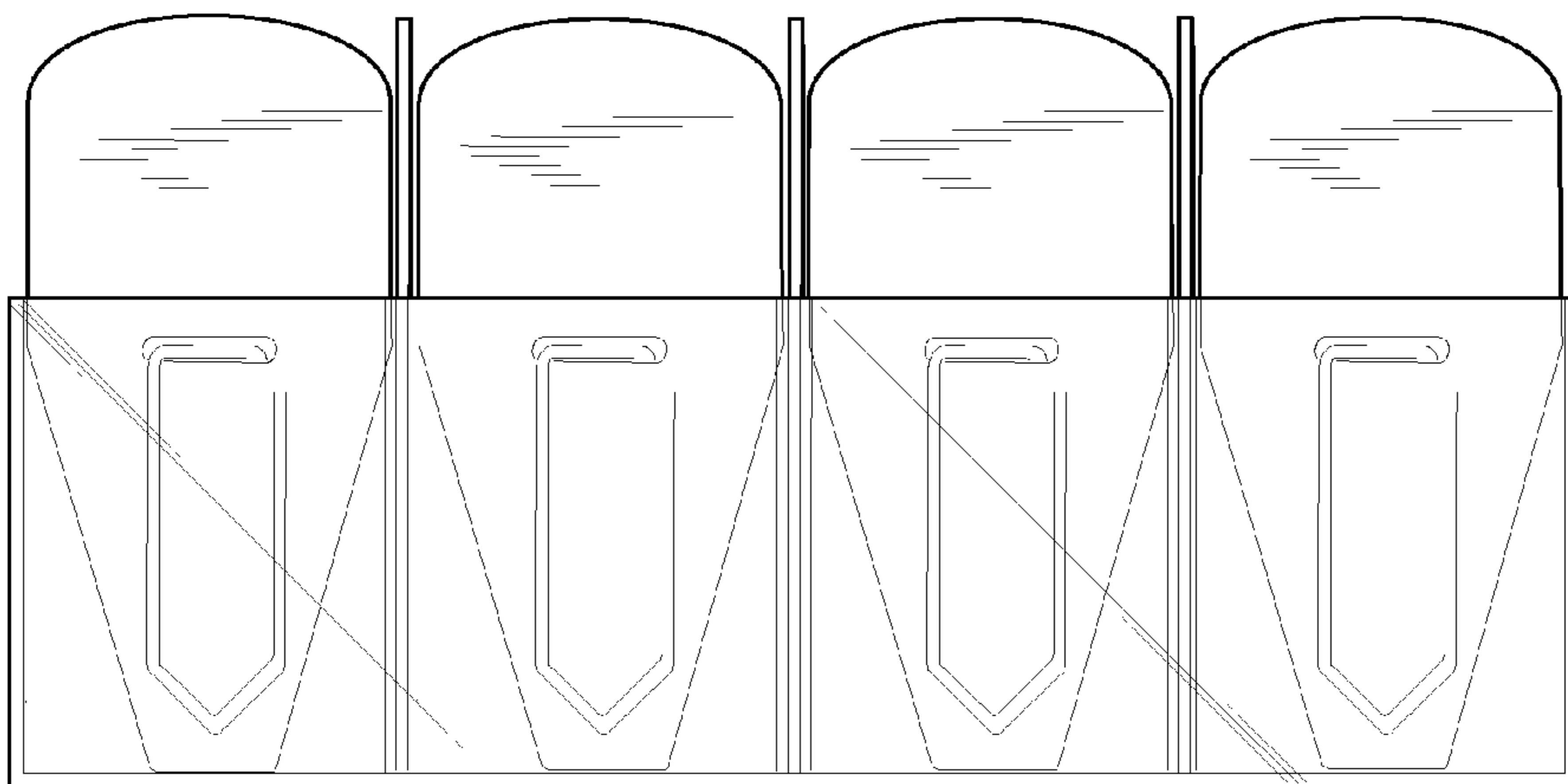
**FIG. 12**



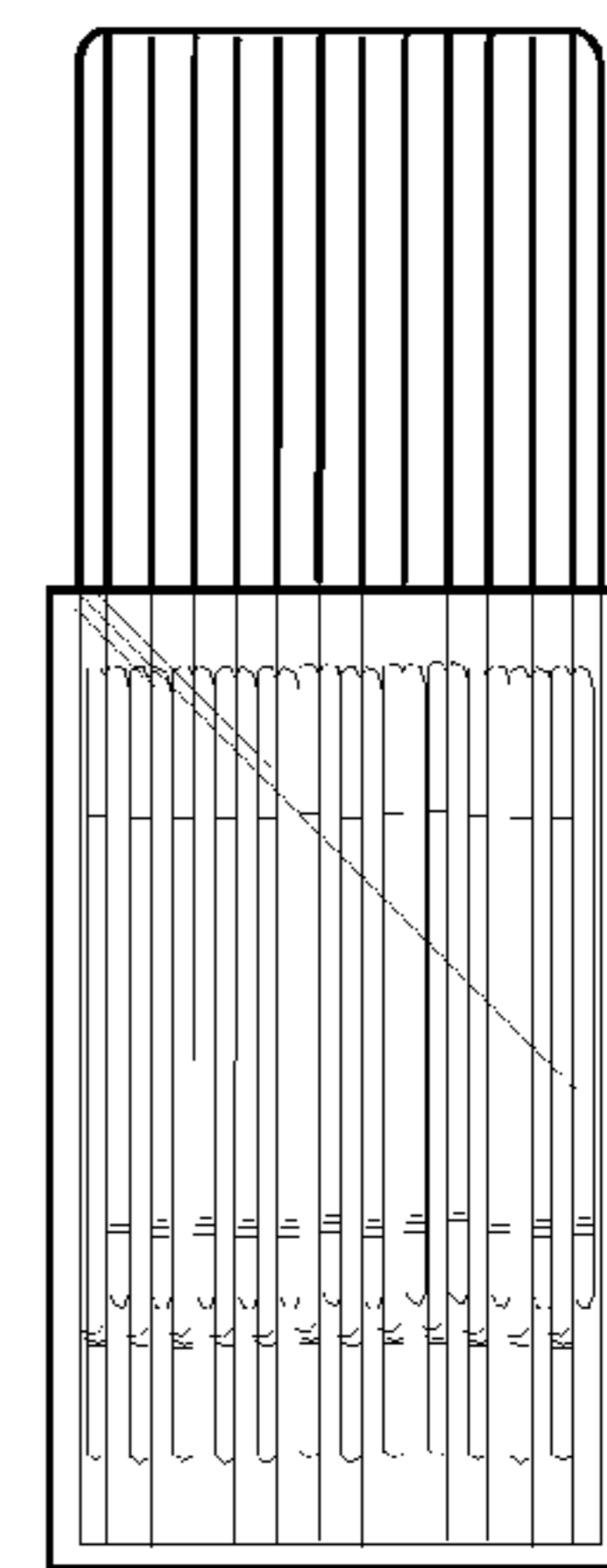
**FIG. 13**



**FIG. 14**

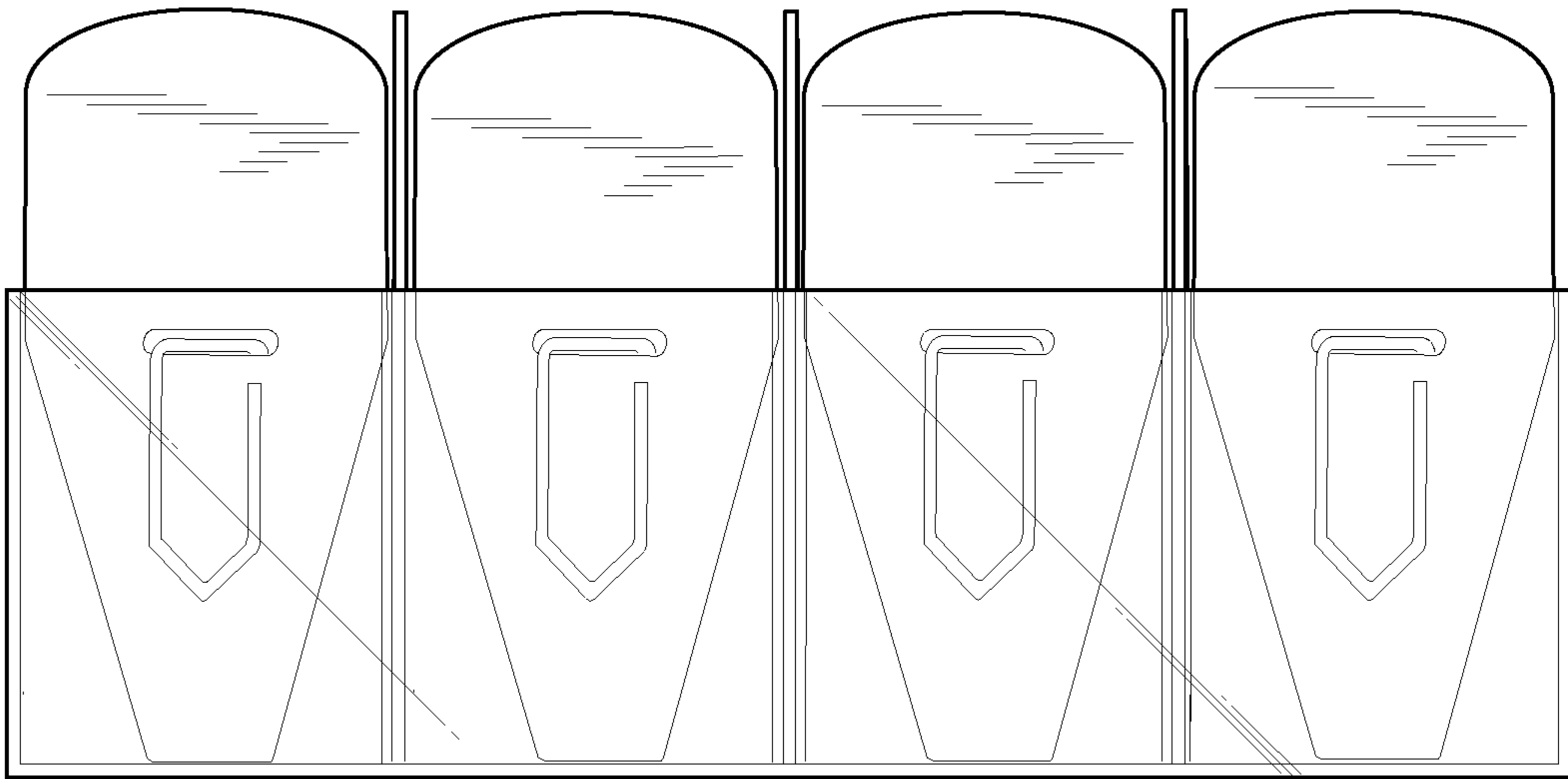


**FIG. 15**

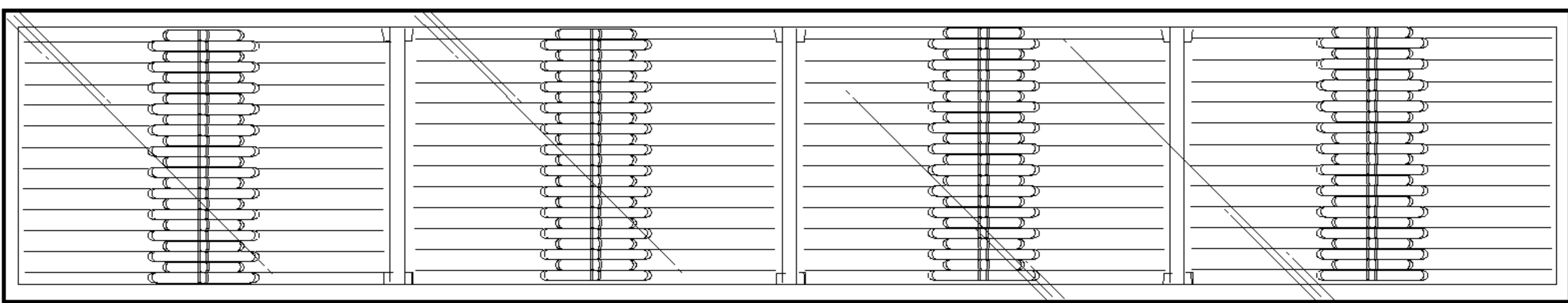


**FIG. 16**

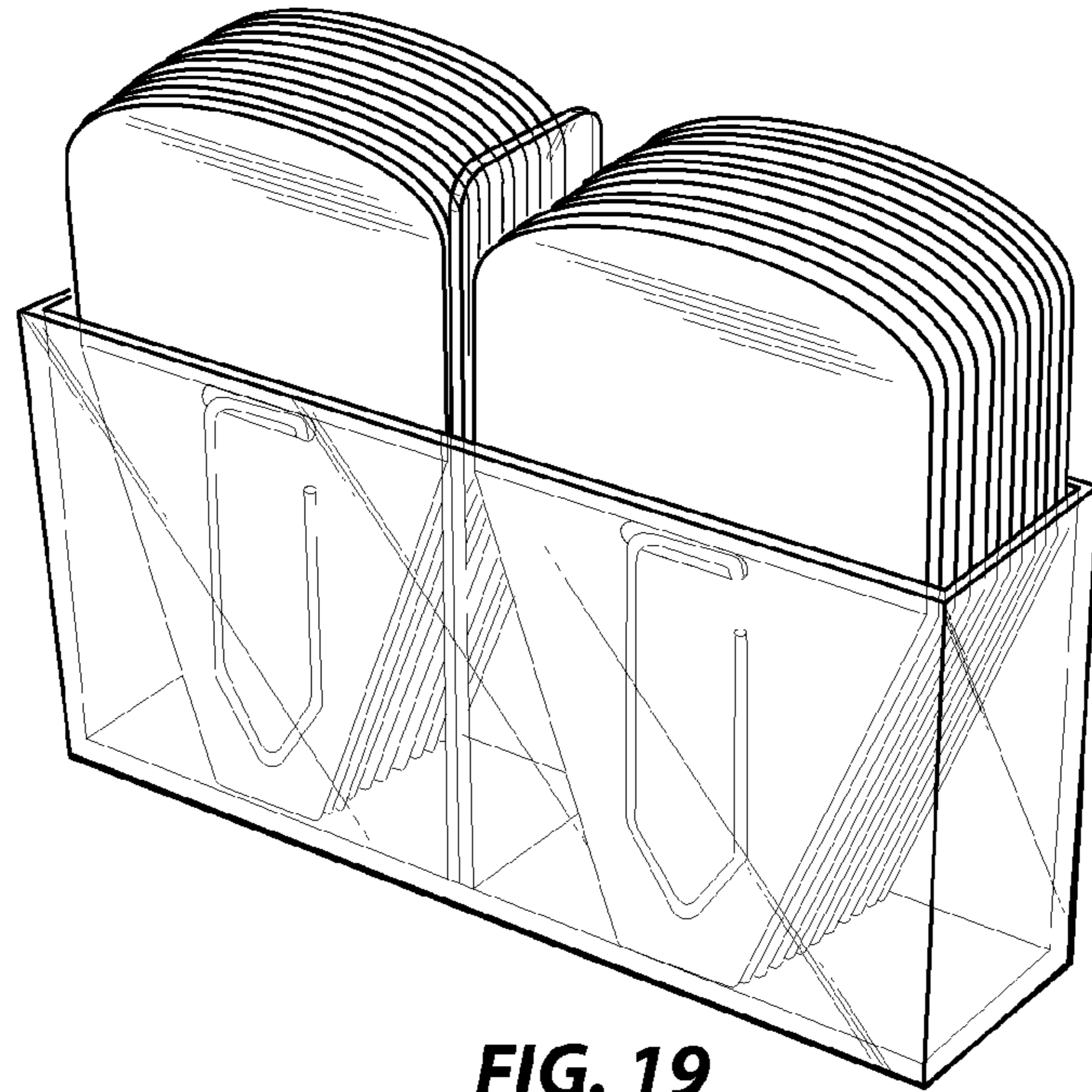




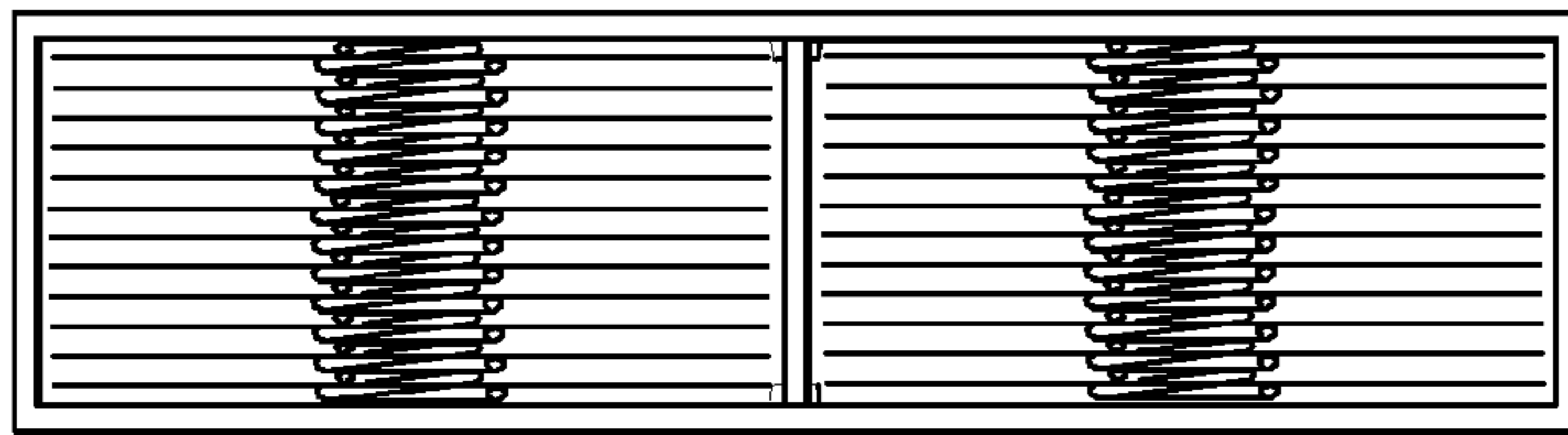
**FIG. 17**



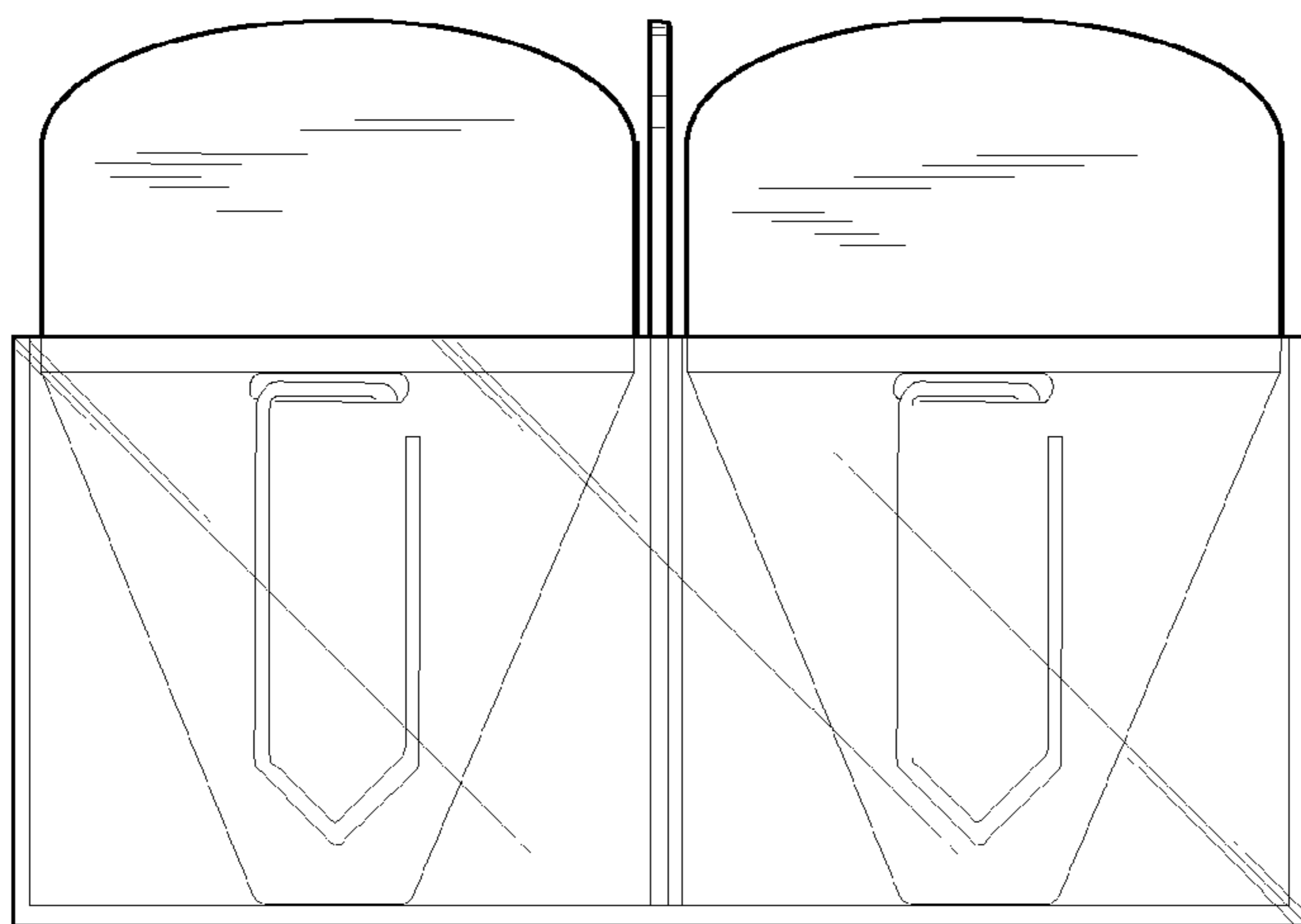
**FIG. 18**



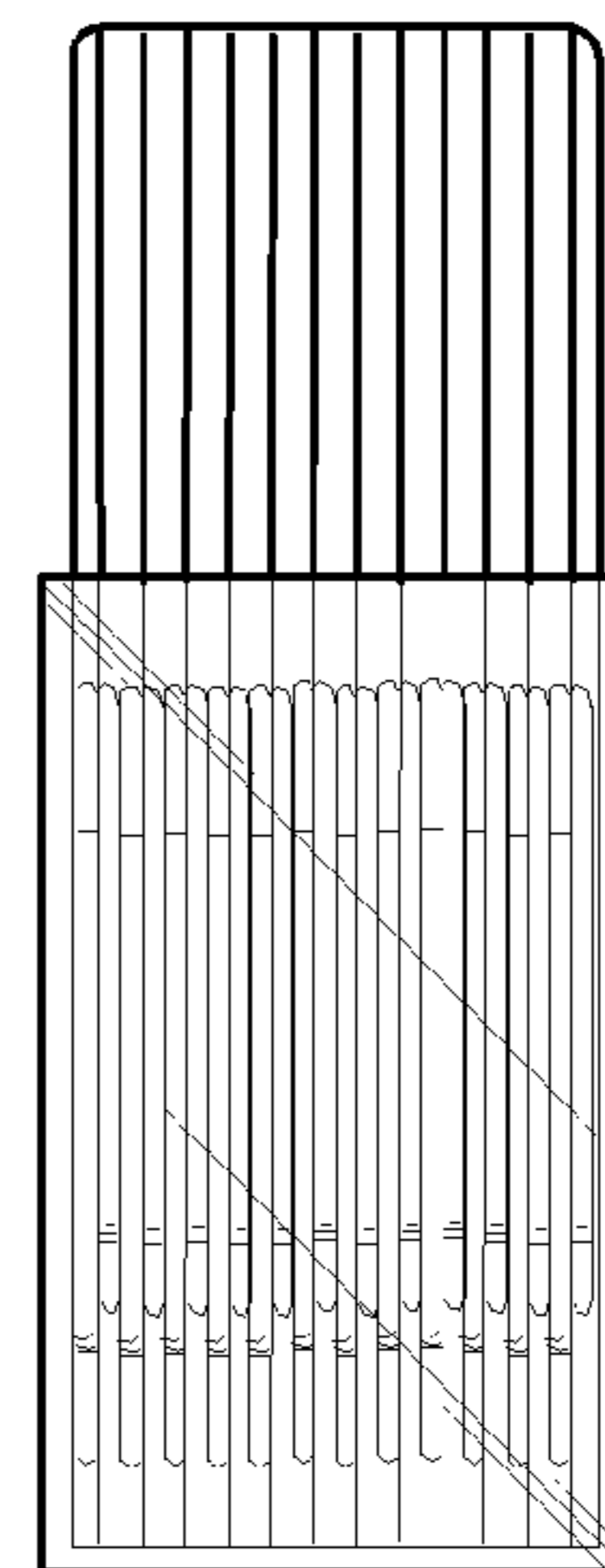
**FIG. 19**



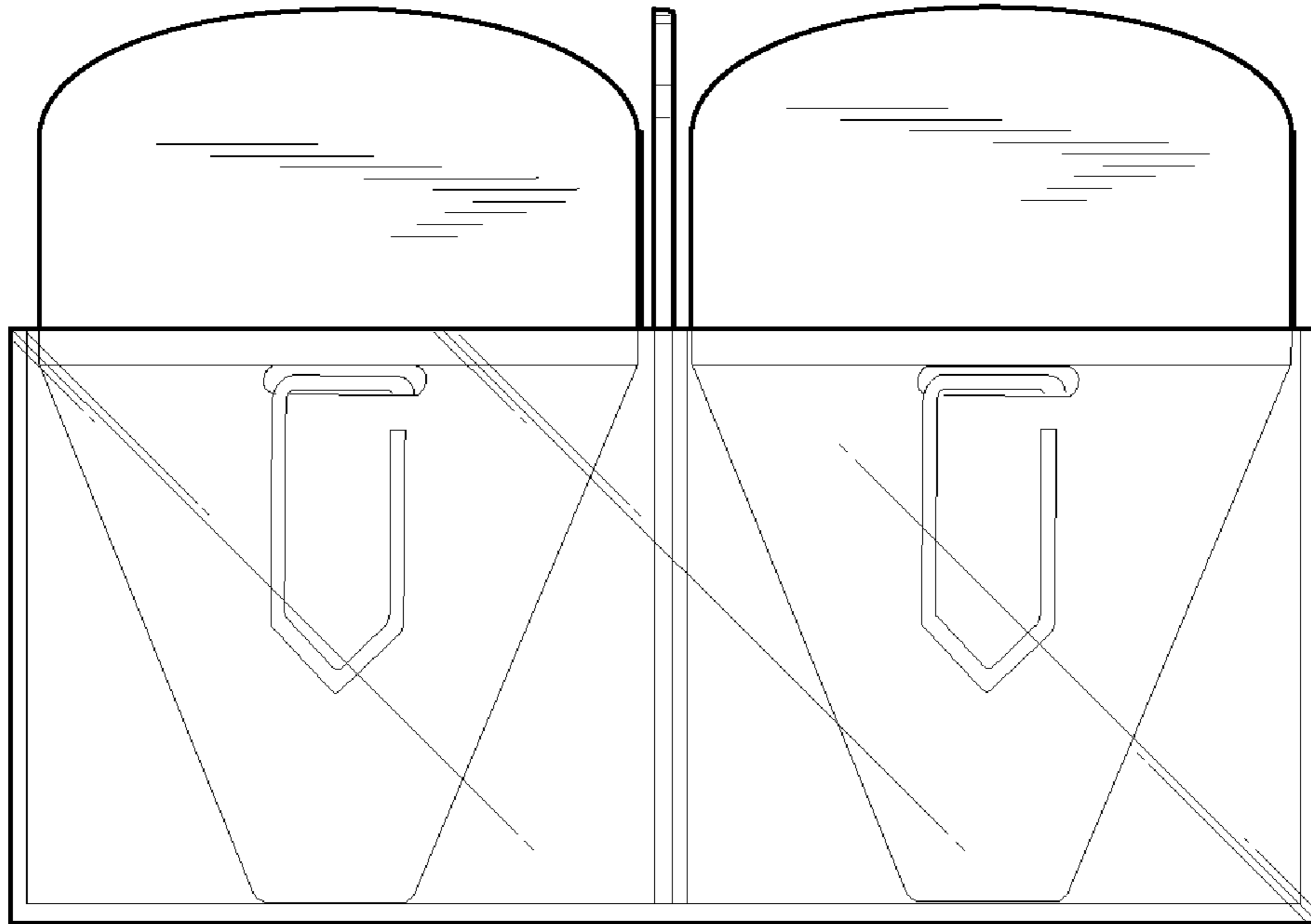
**FIG. 20**



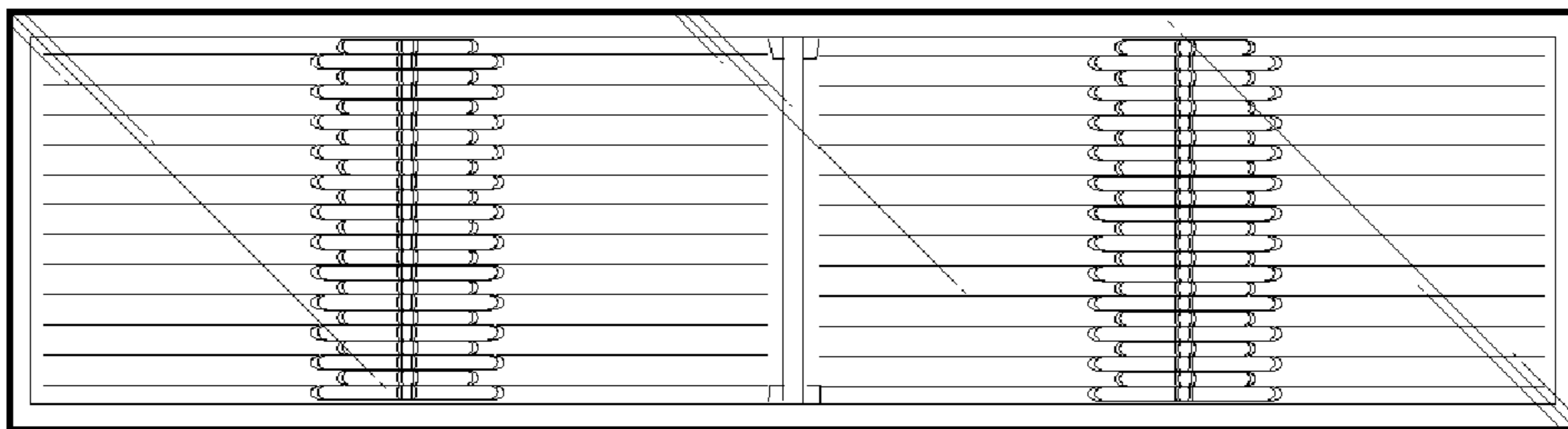
**FIG. 21**



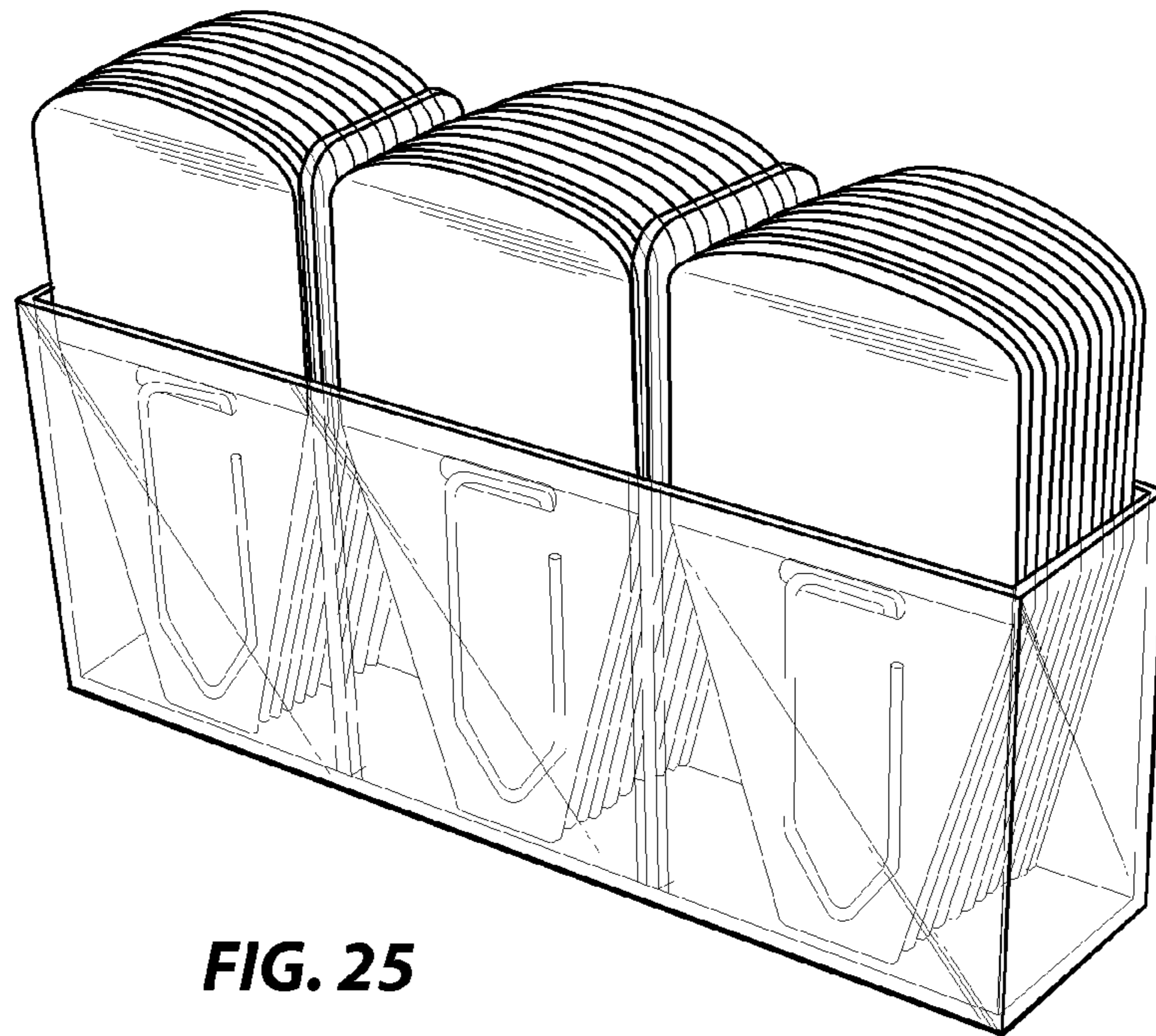
**FIG. 22**



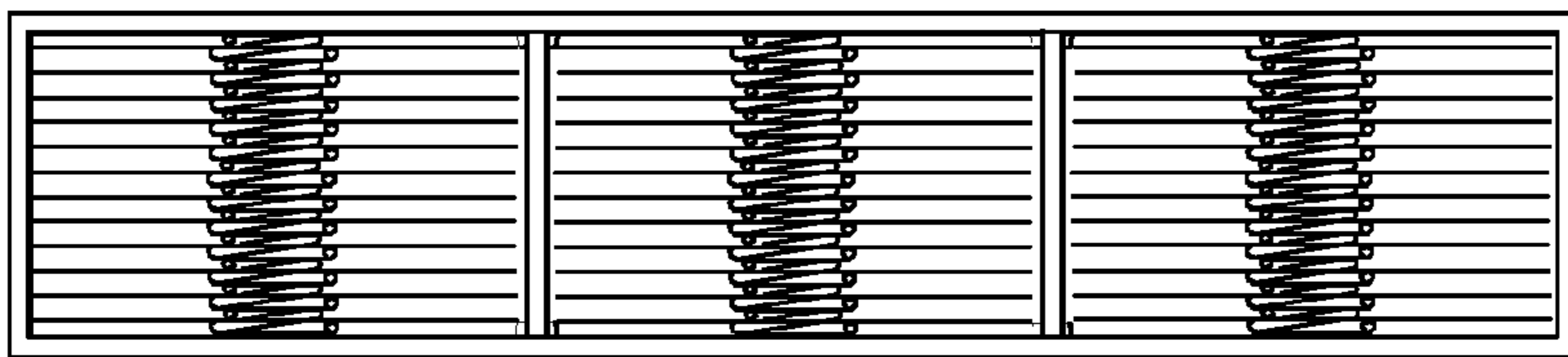
**FIG. 23**



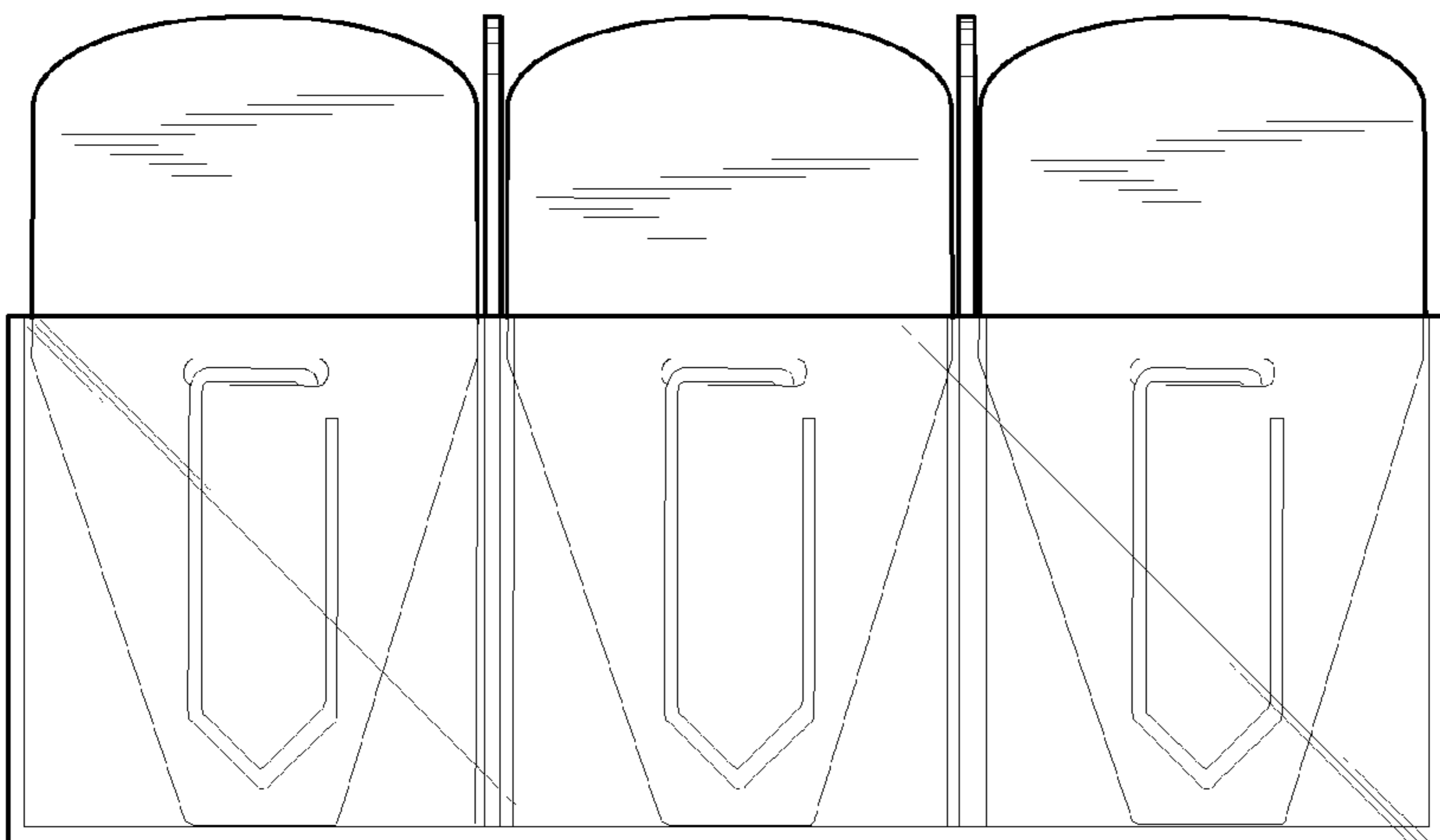
**FIG. 24**



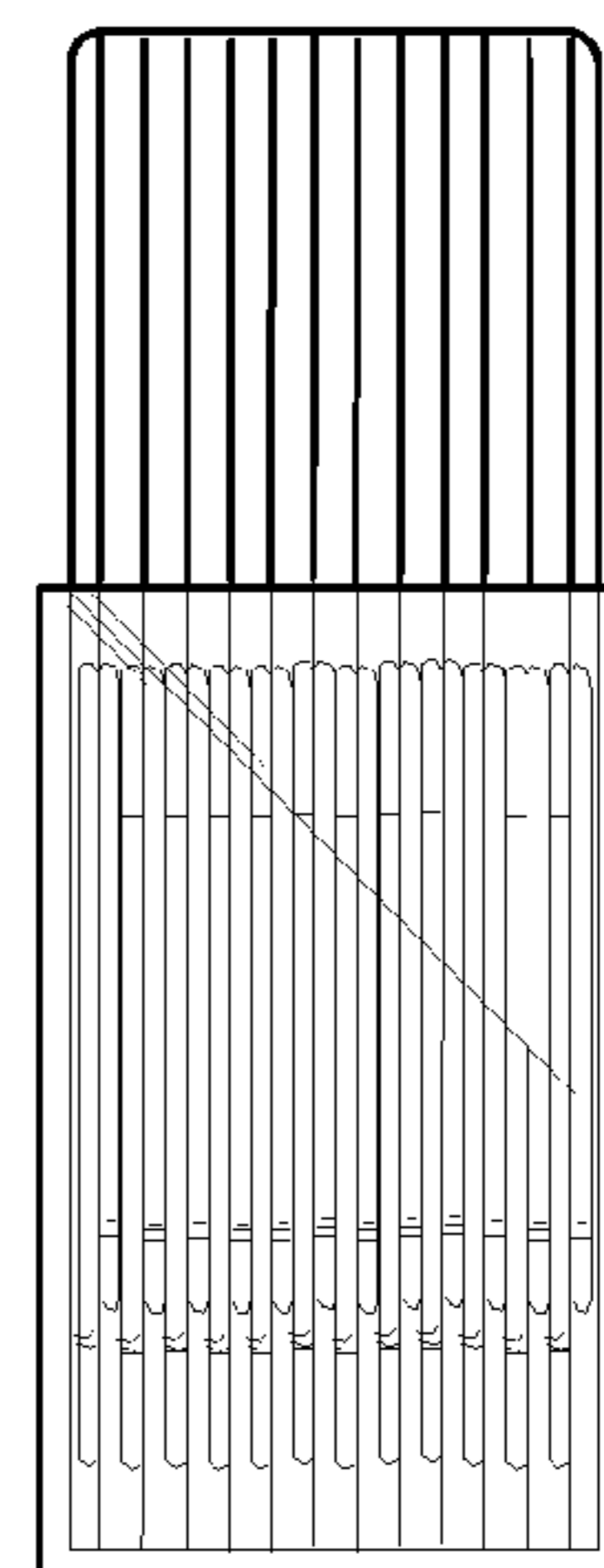
**FIG. 25**



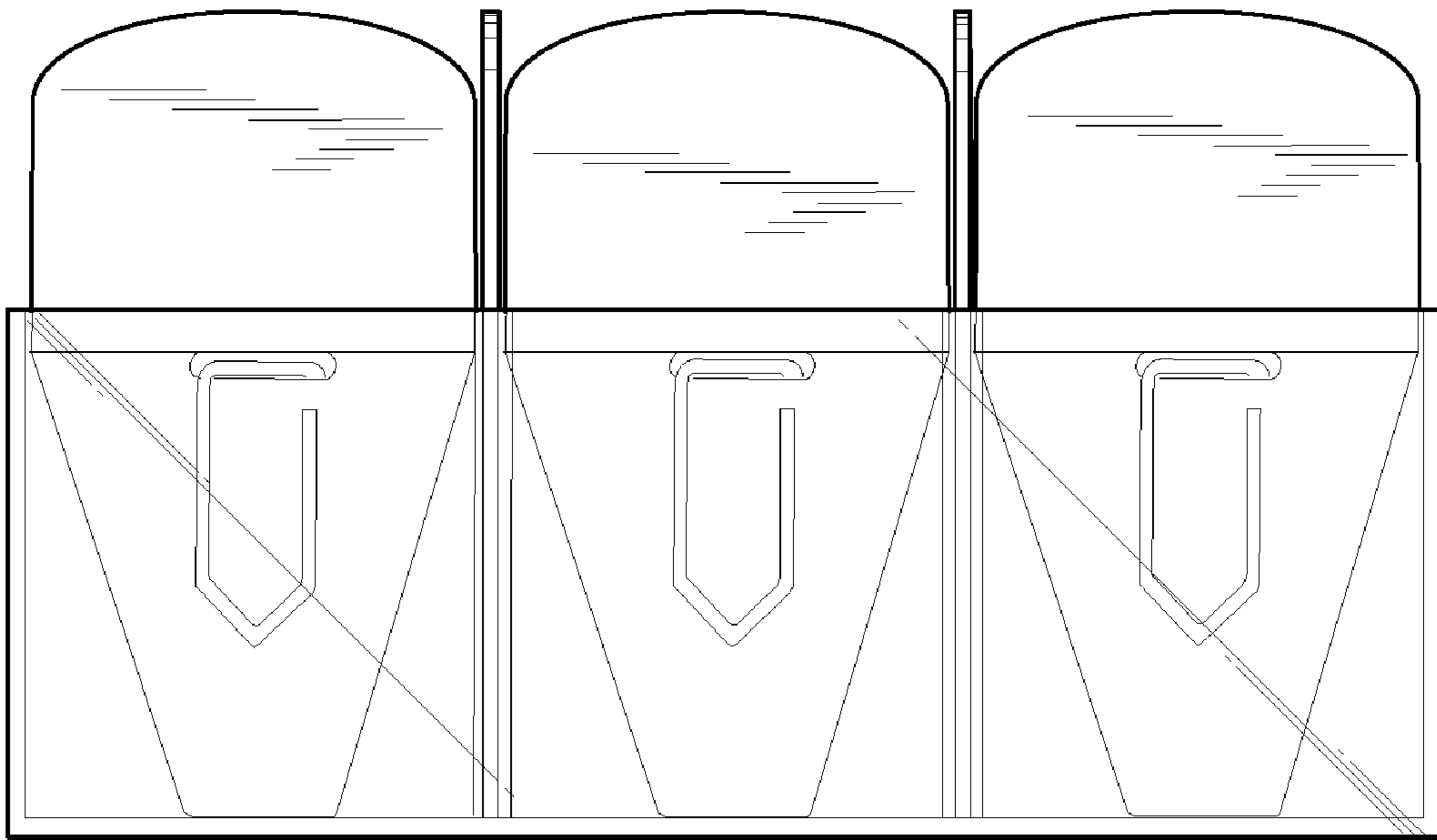
**FIG. 26**



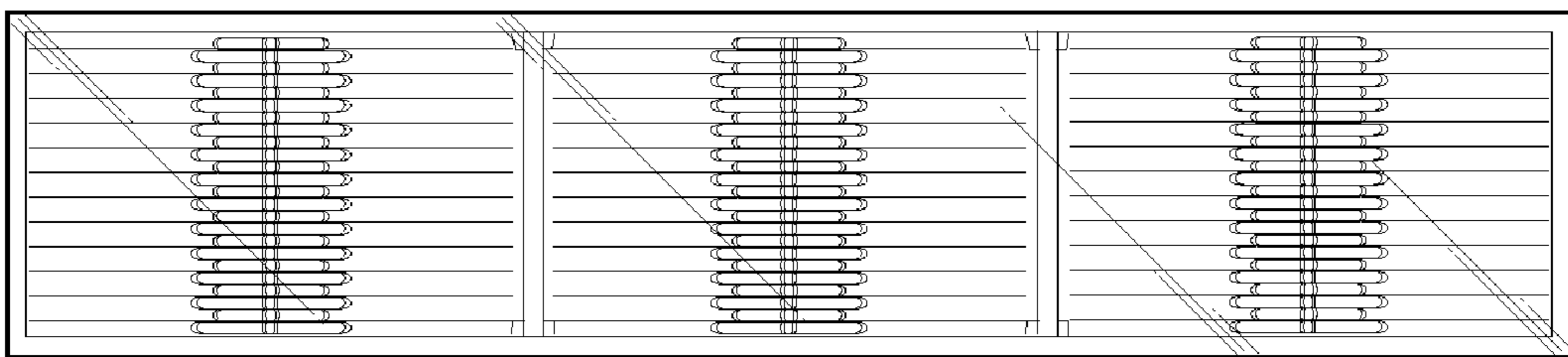
**FIG. 27**



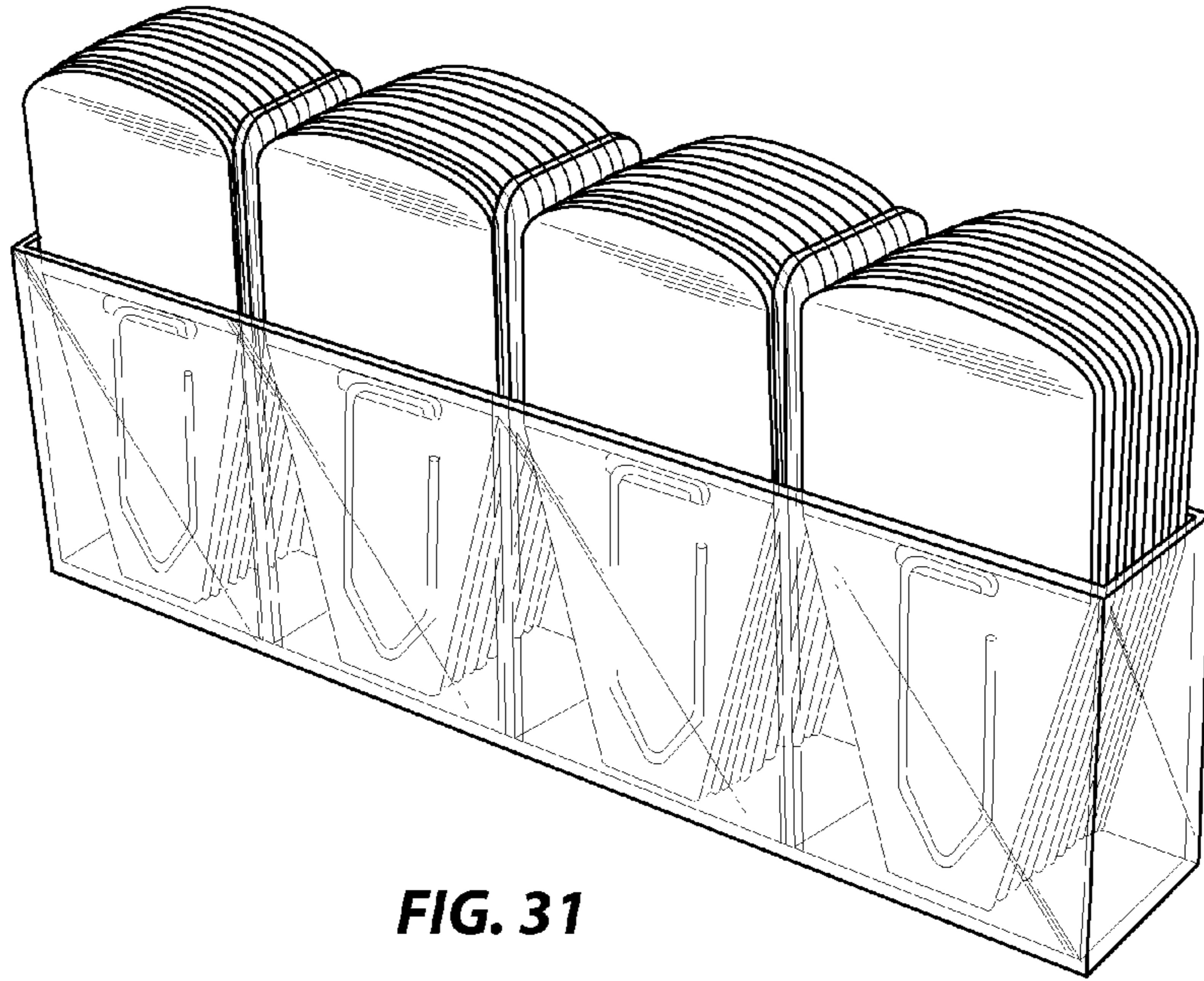
**FIG. 28**



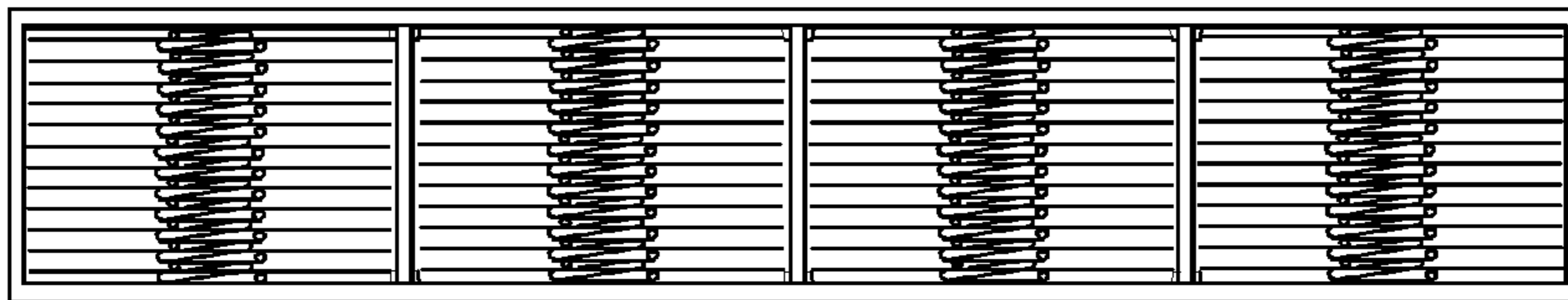
**FIG. 29**



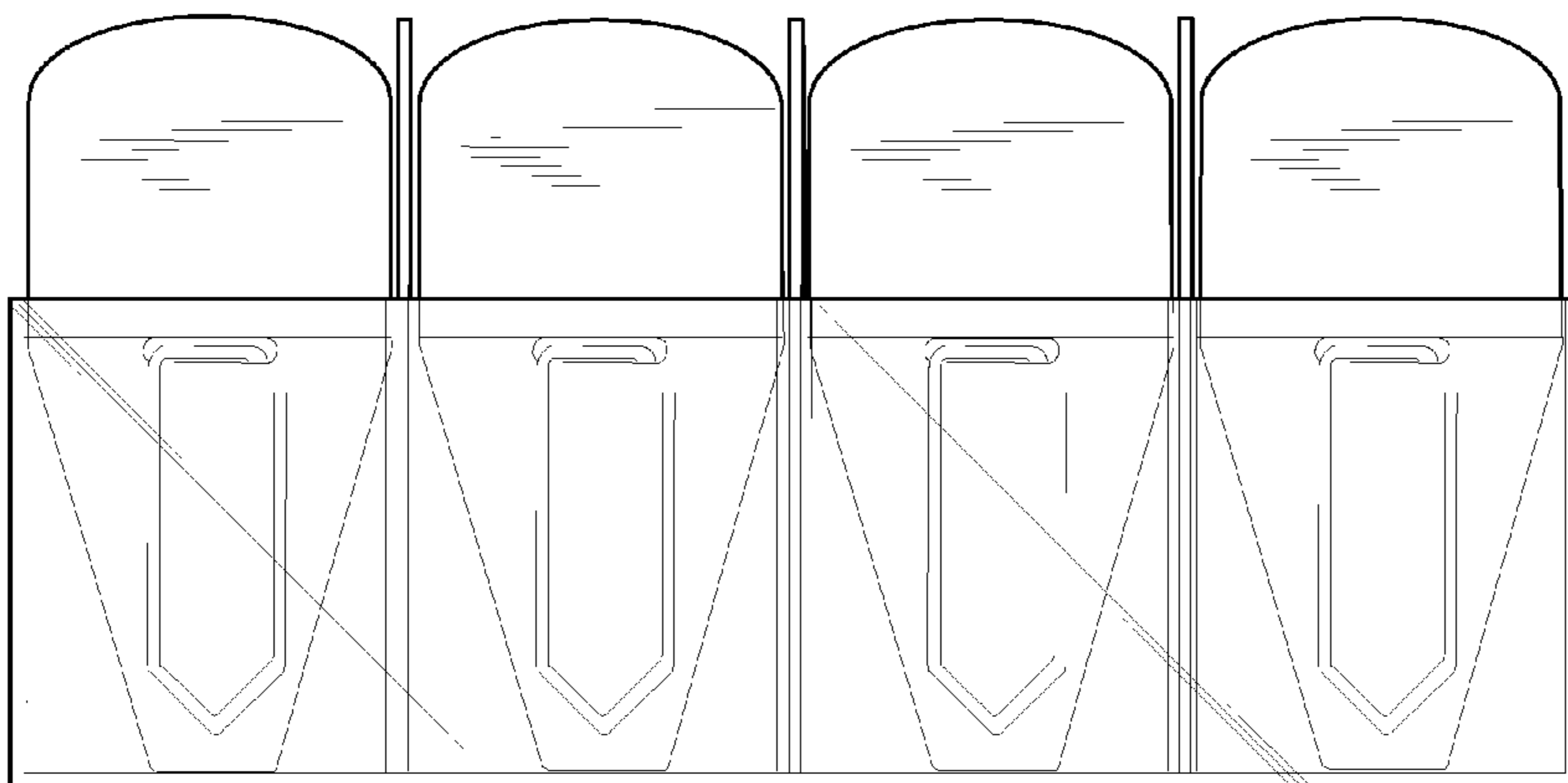
**FIG. 30**



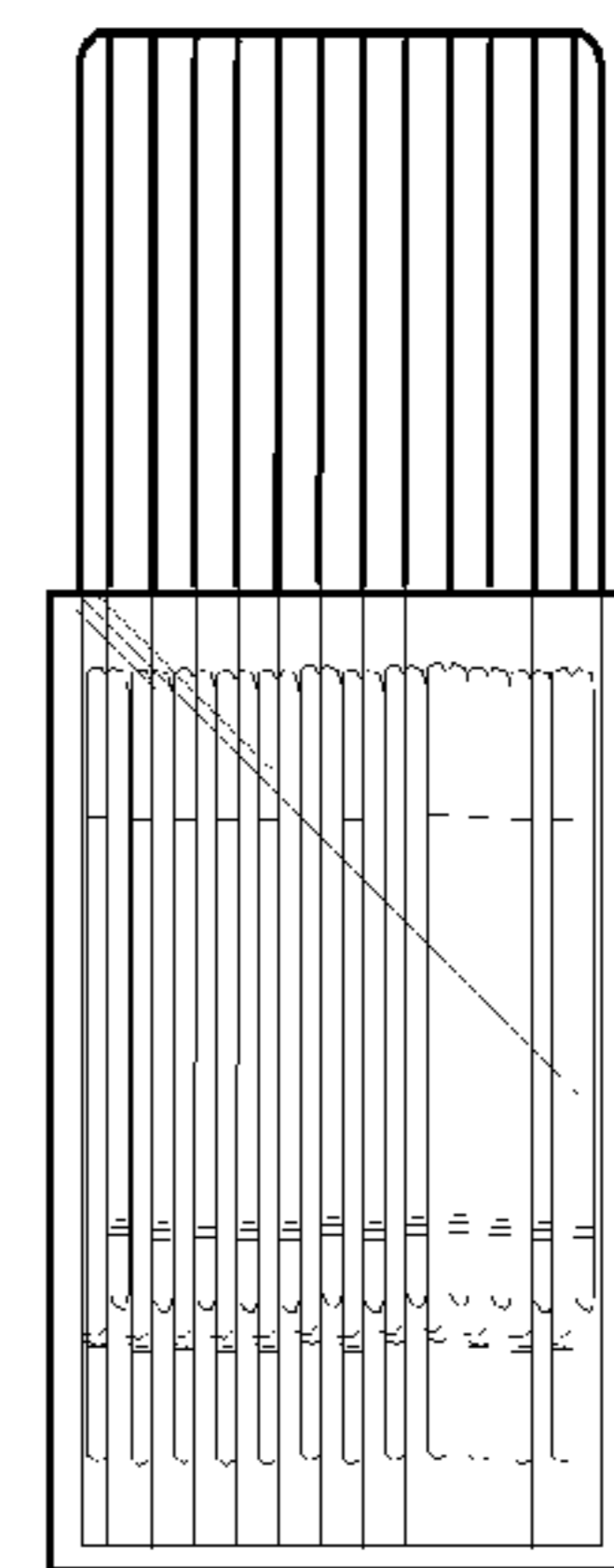
**FIG. 31**



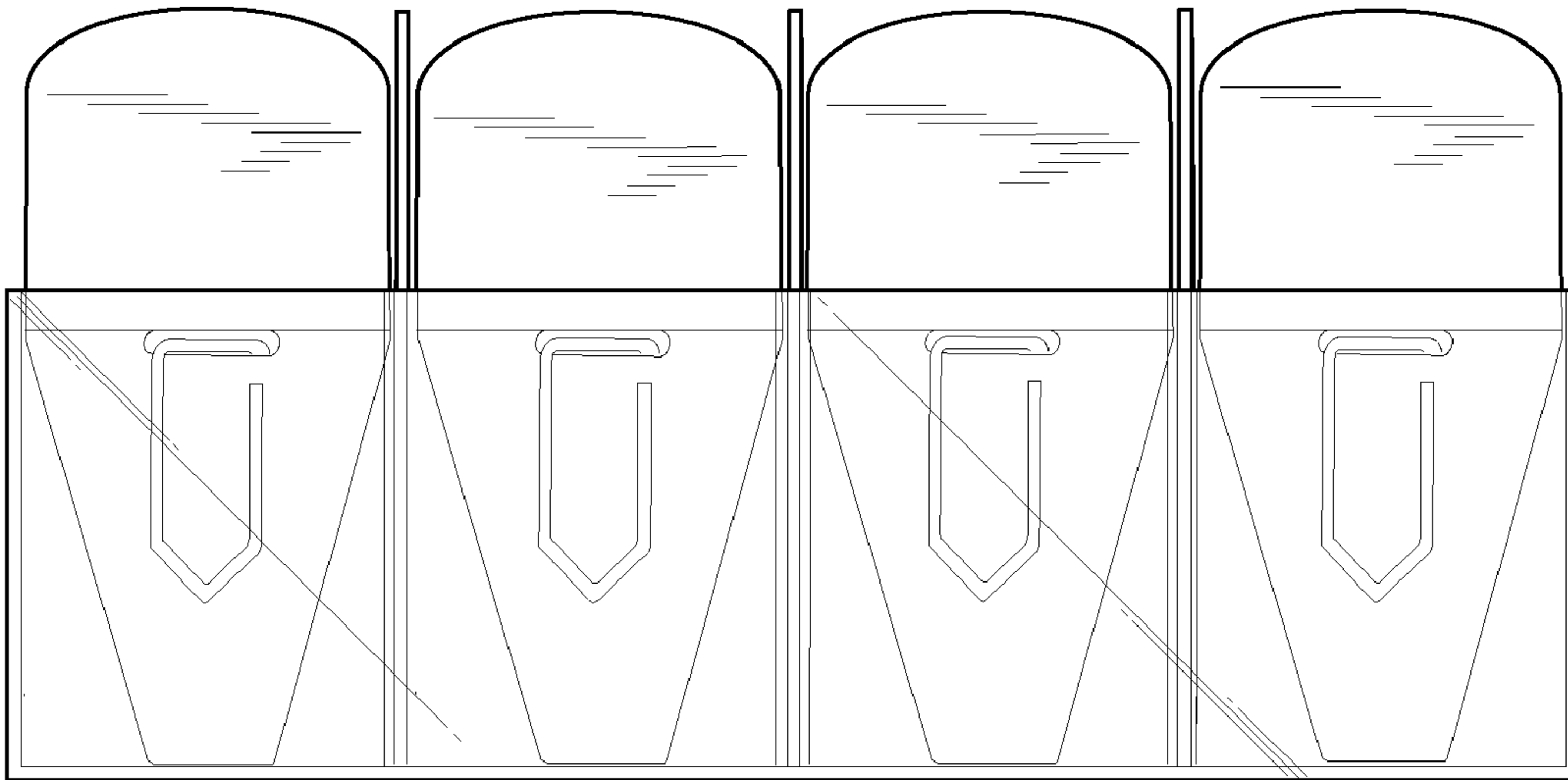
**FIG. 32**



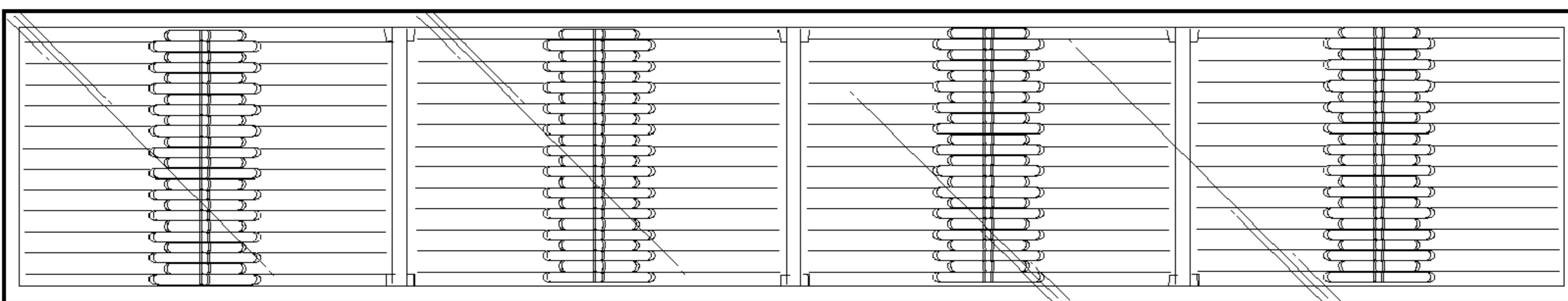
**FIG. 33**



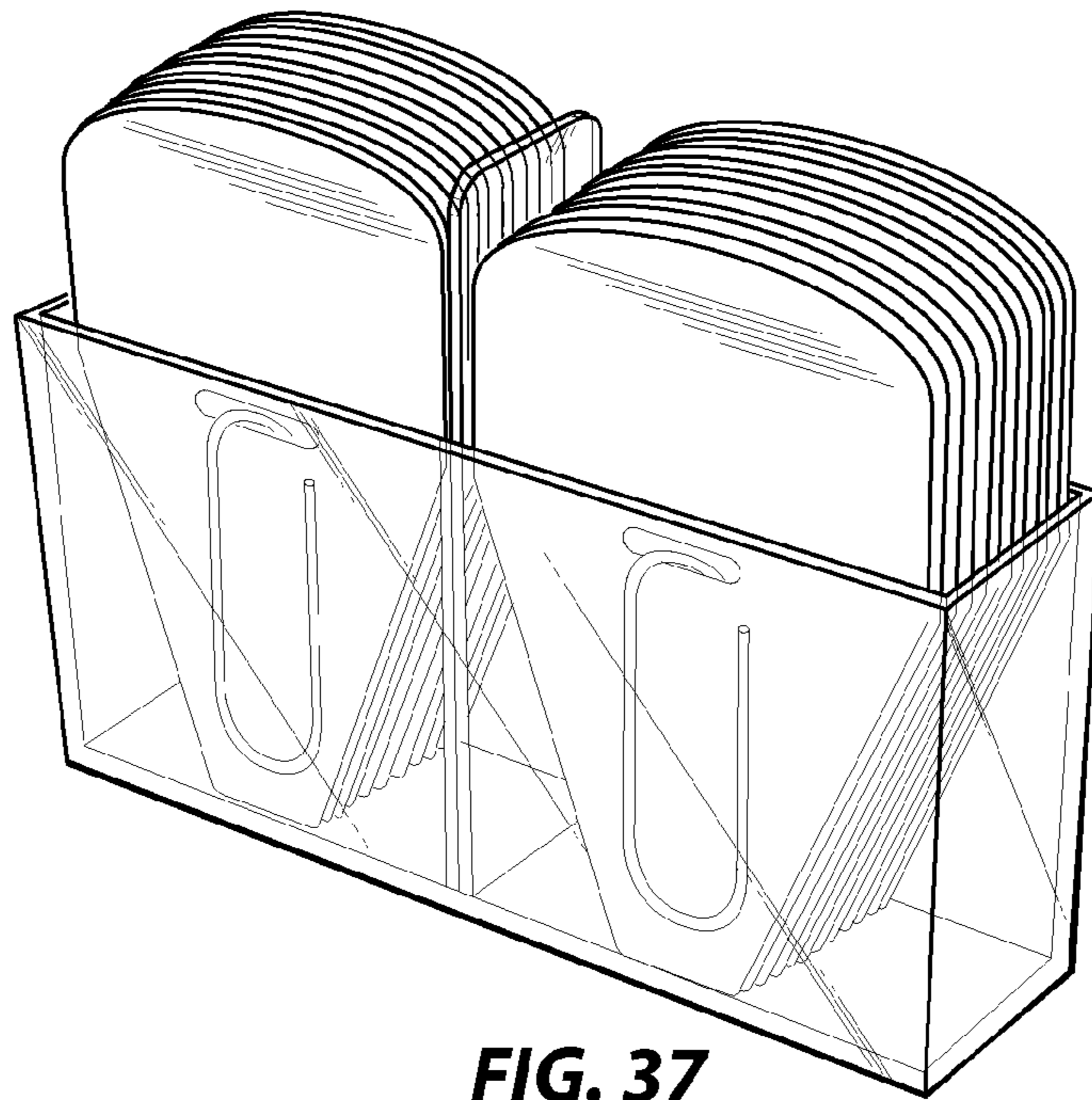
**FIG. 34**



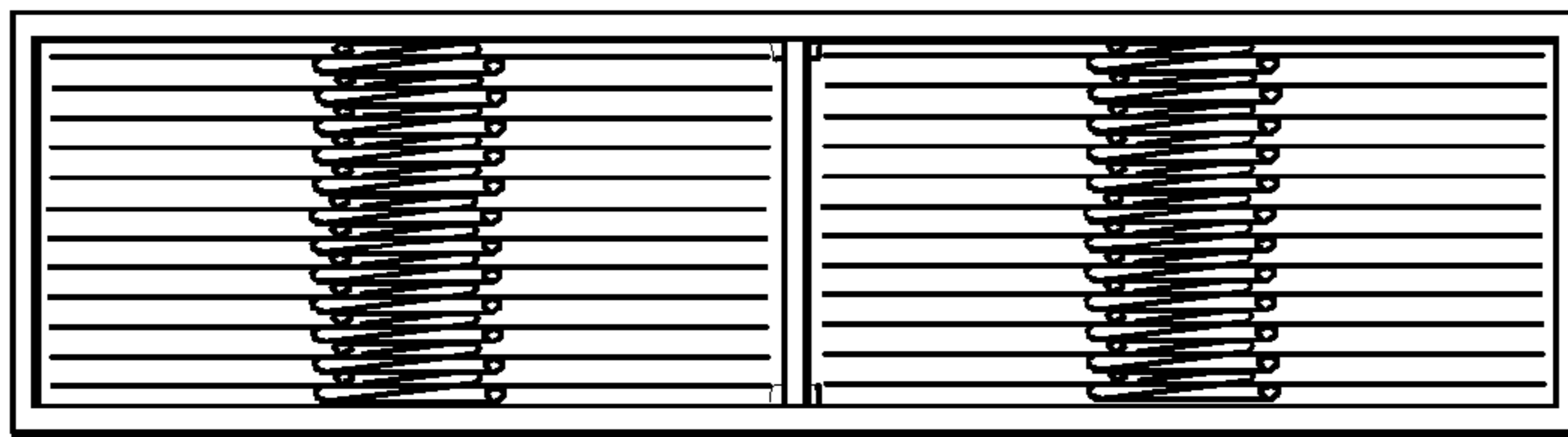
**FIG. 35**



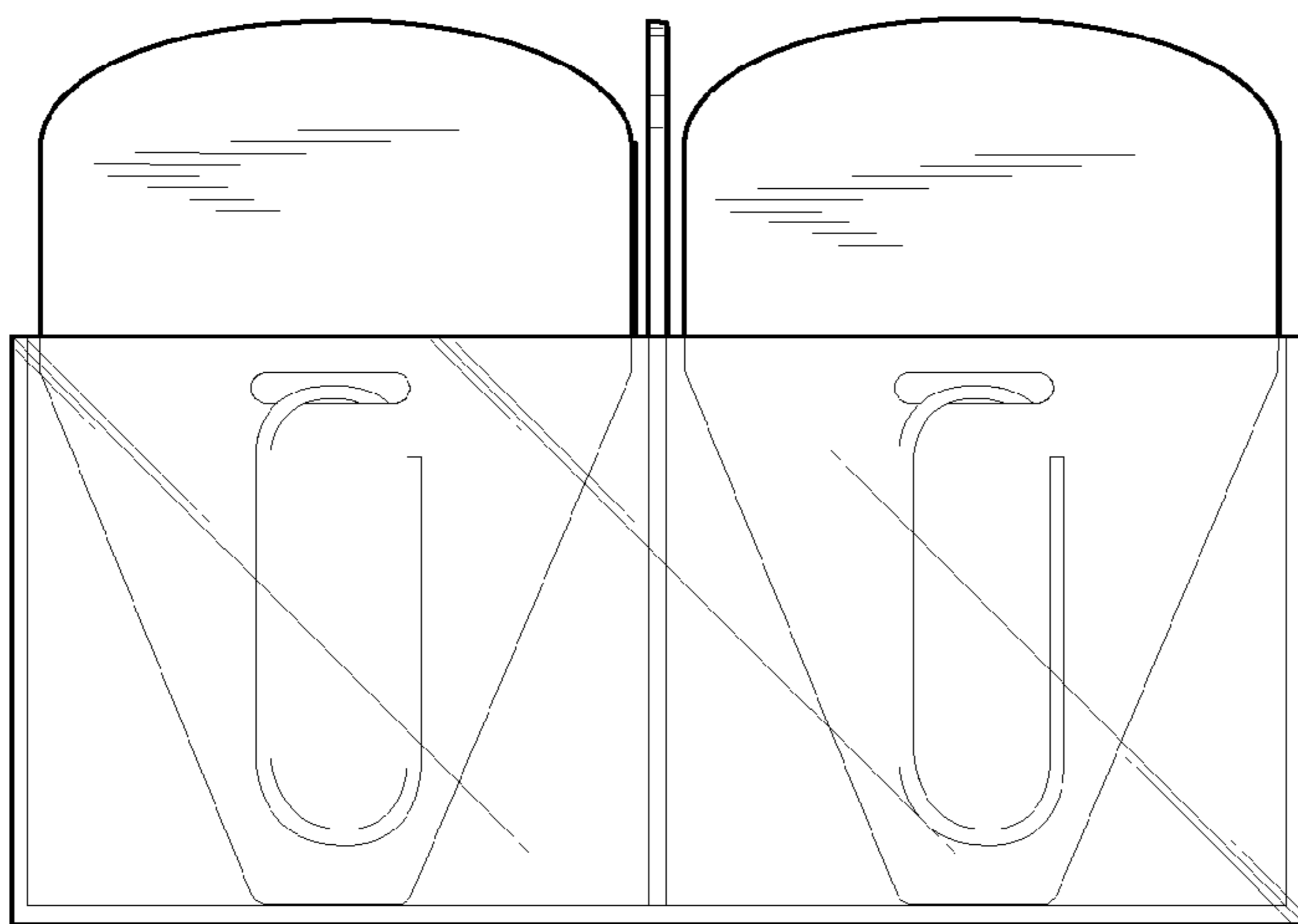
**FIG. 36**



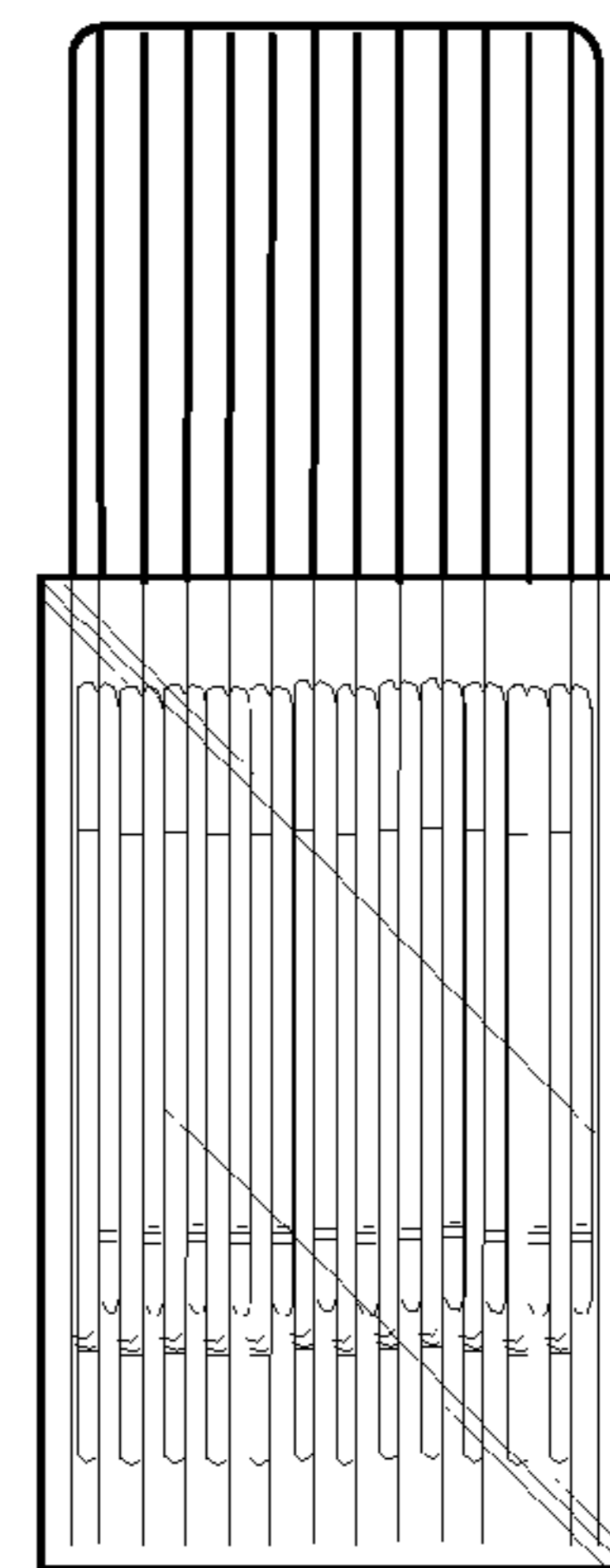
**FIG. 37**



**FIG. 38**

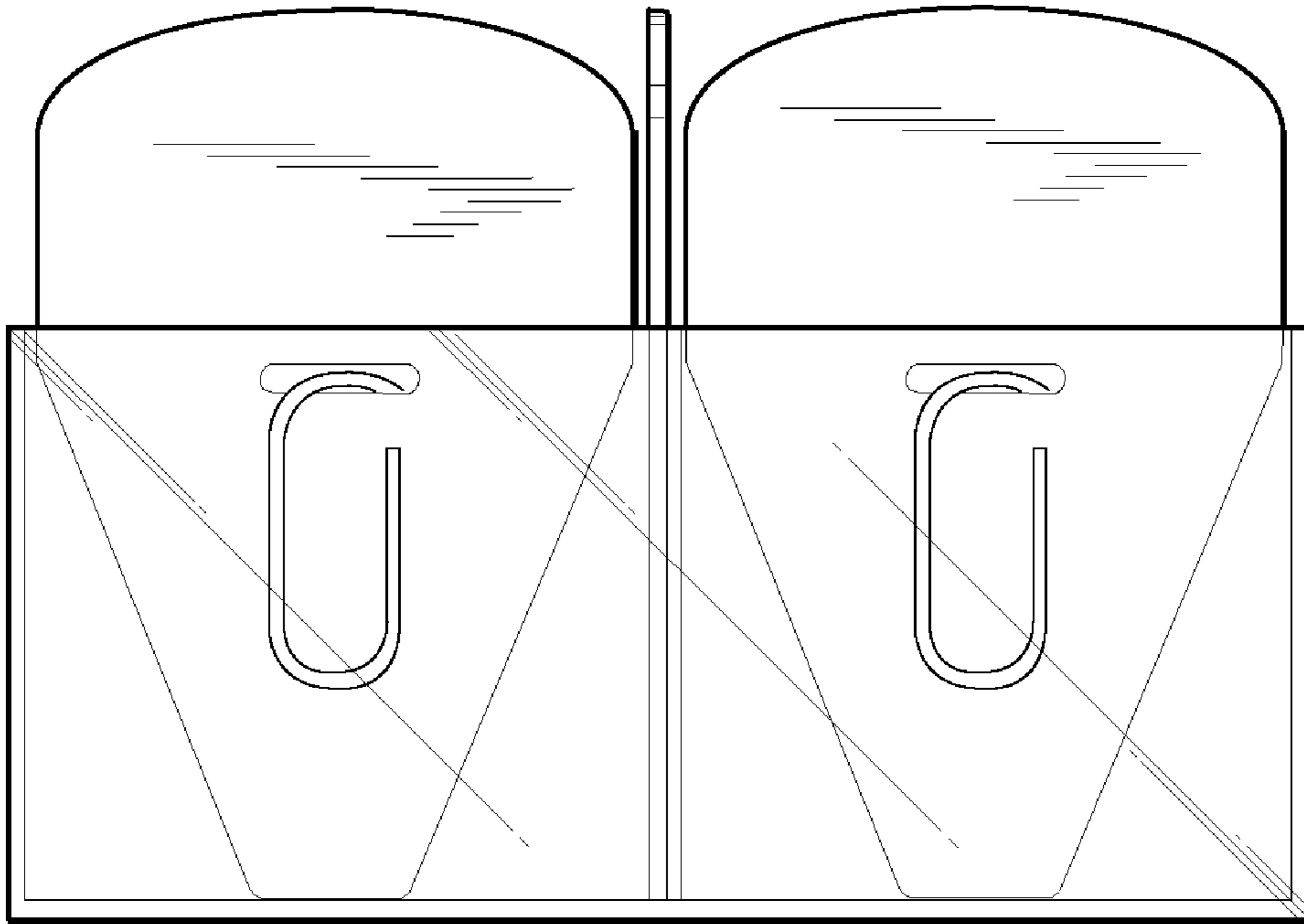


**FIG. 39**

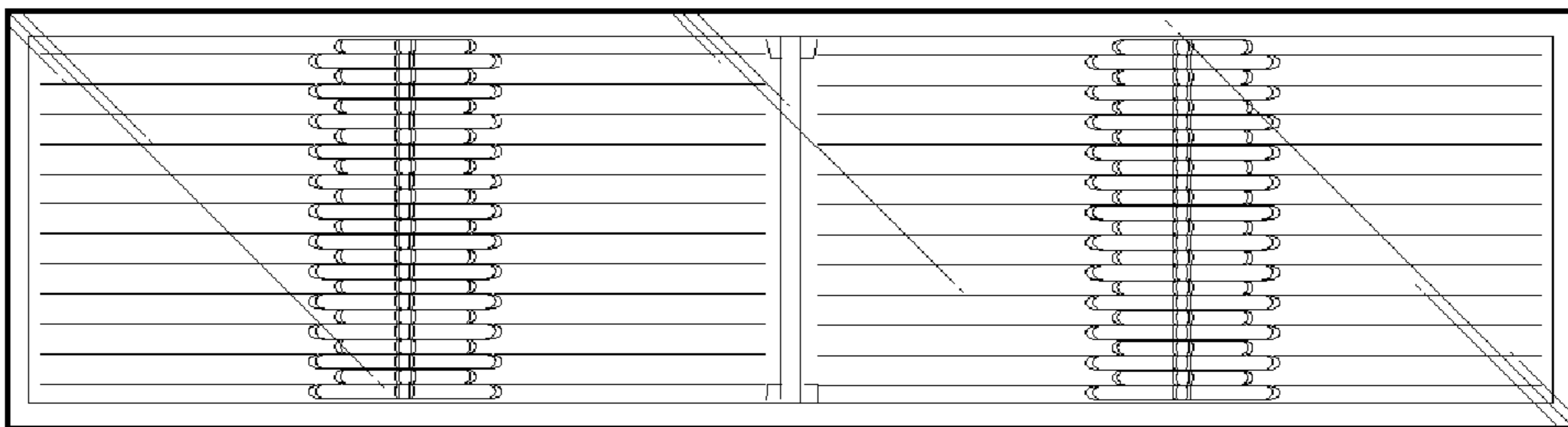


**FIG. 40**

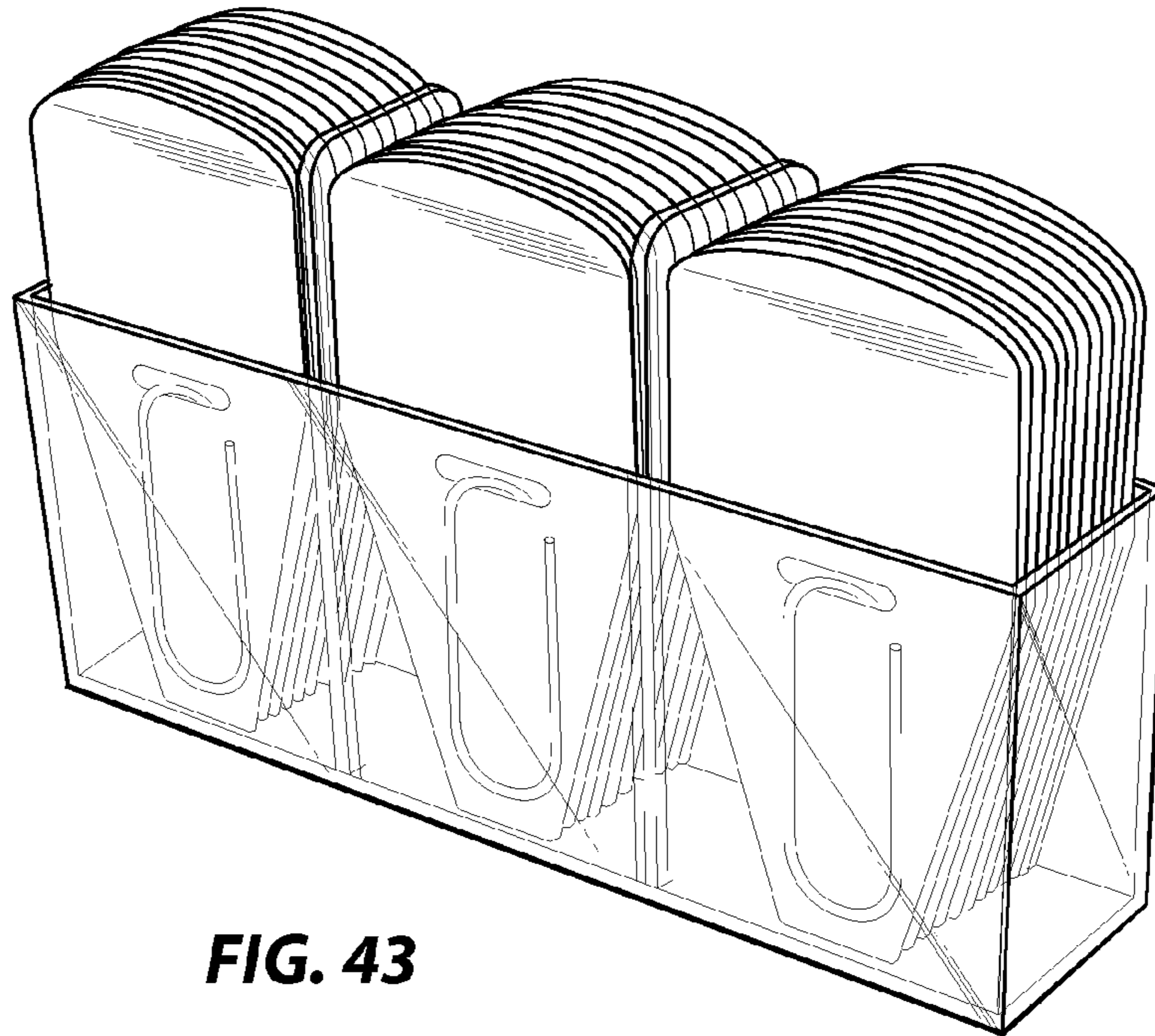




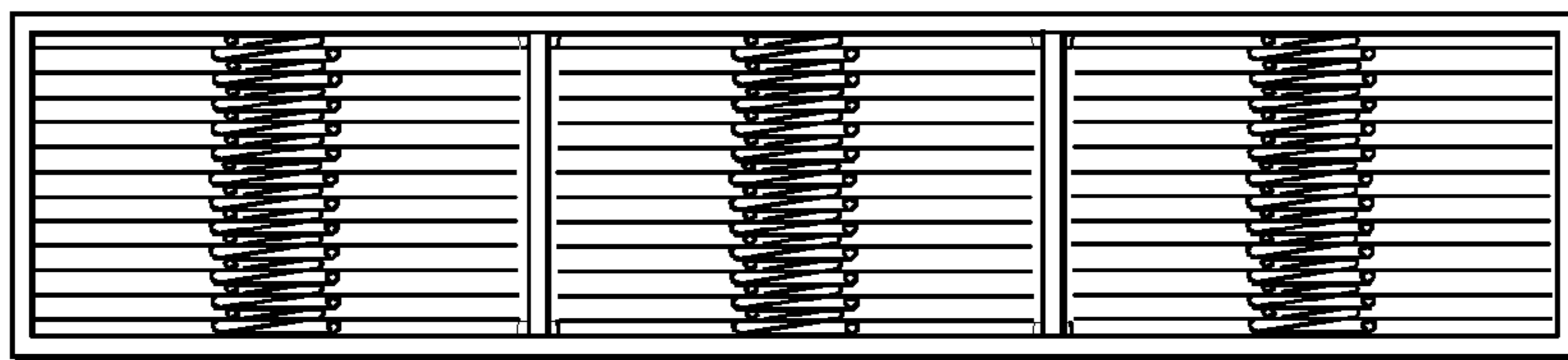
**FIG. 41**



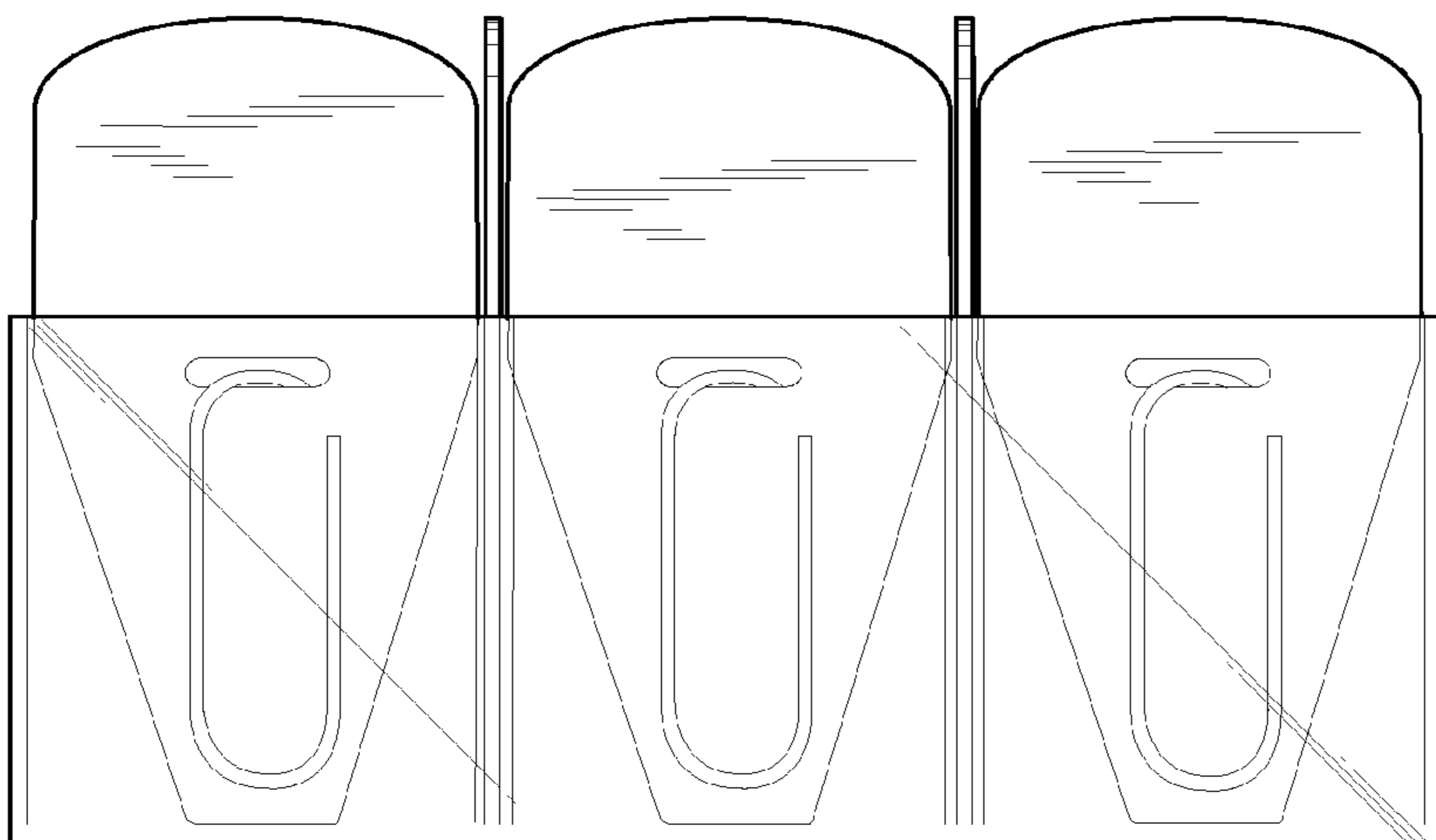
**FIG. 42**



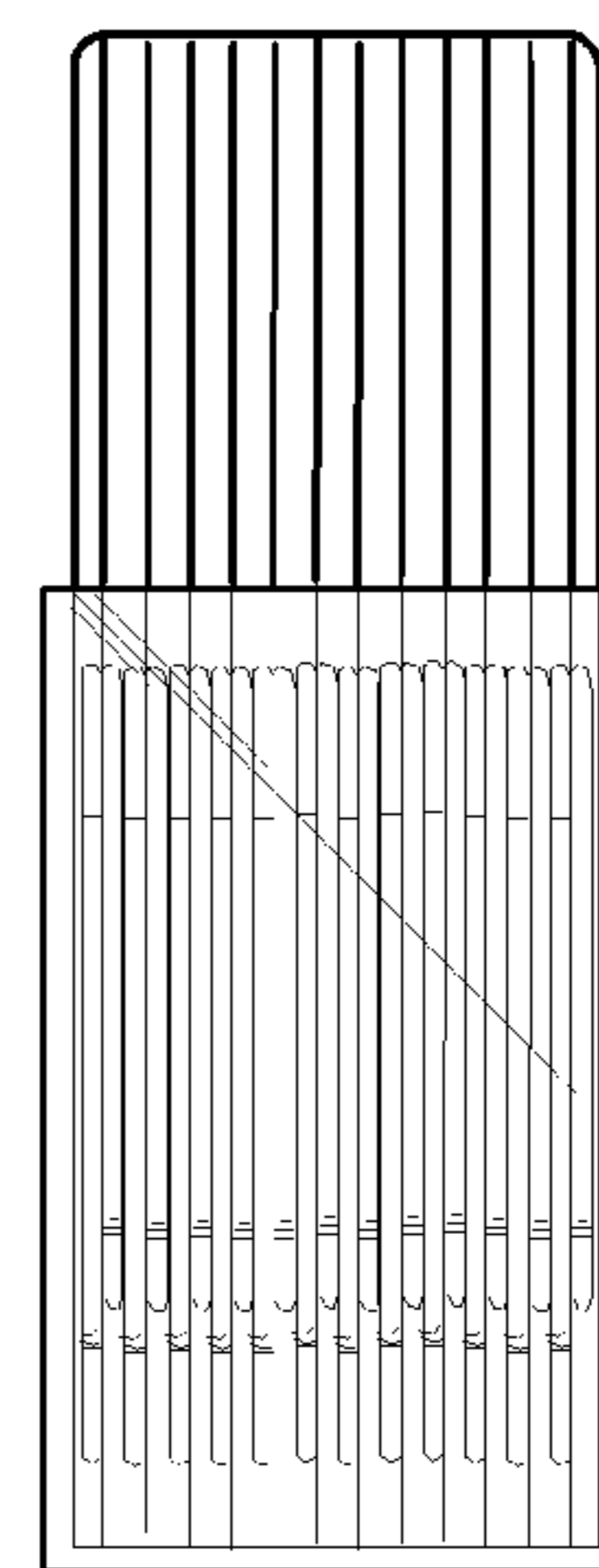
**FIG. 43**



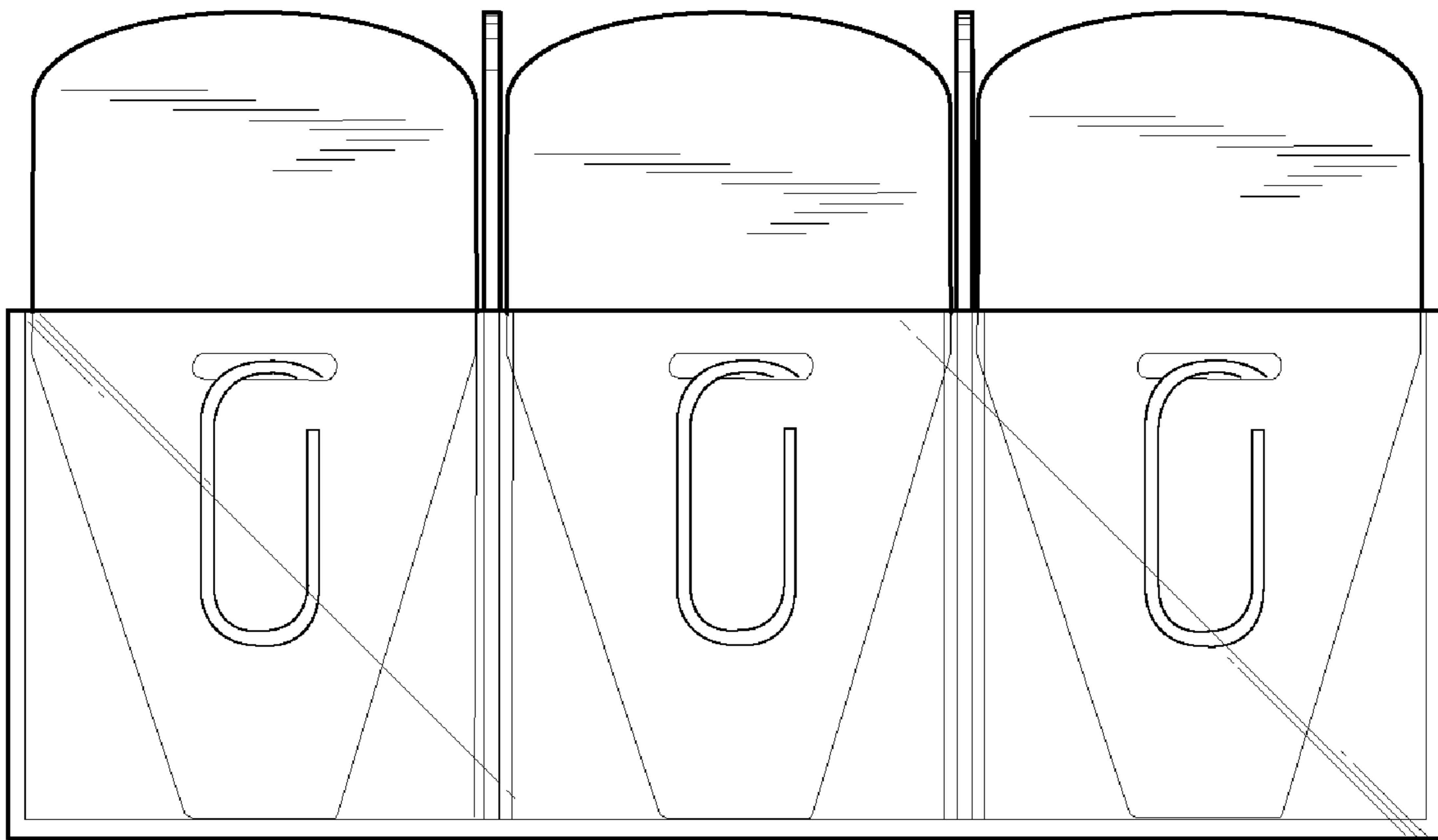
**FIG. 44**



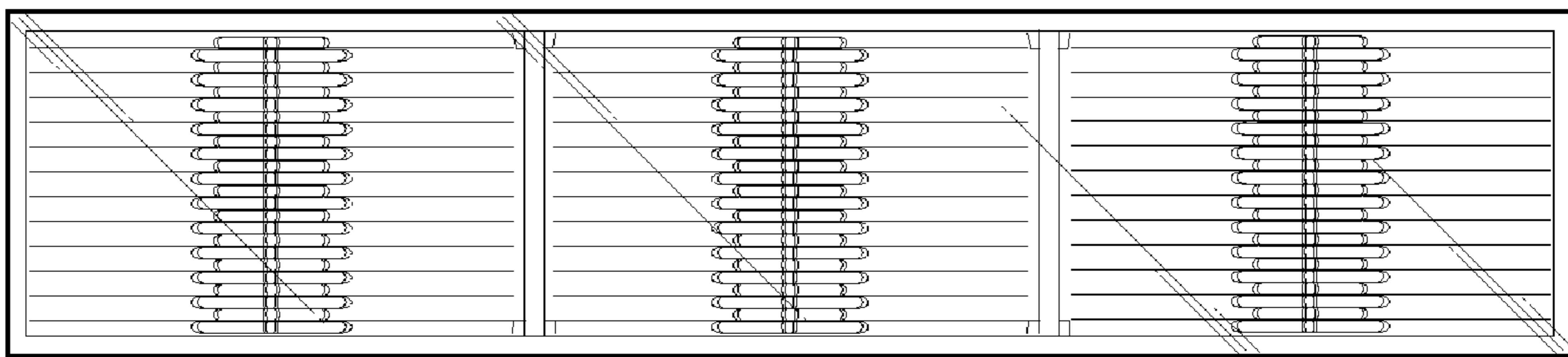
**FIG. 45**



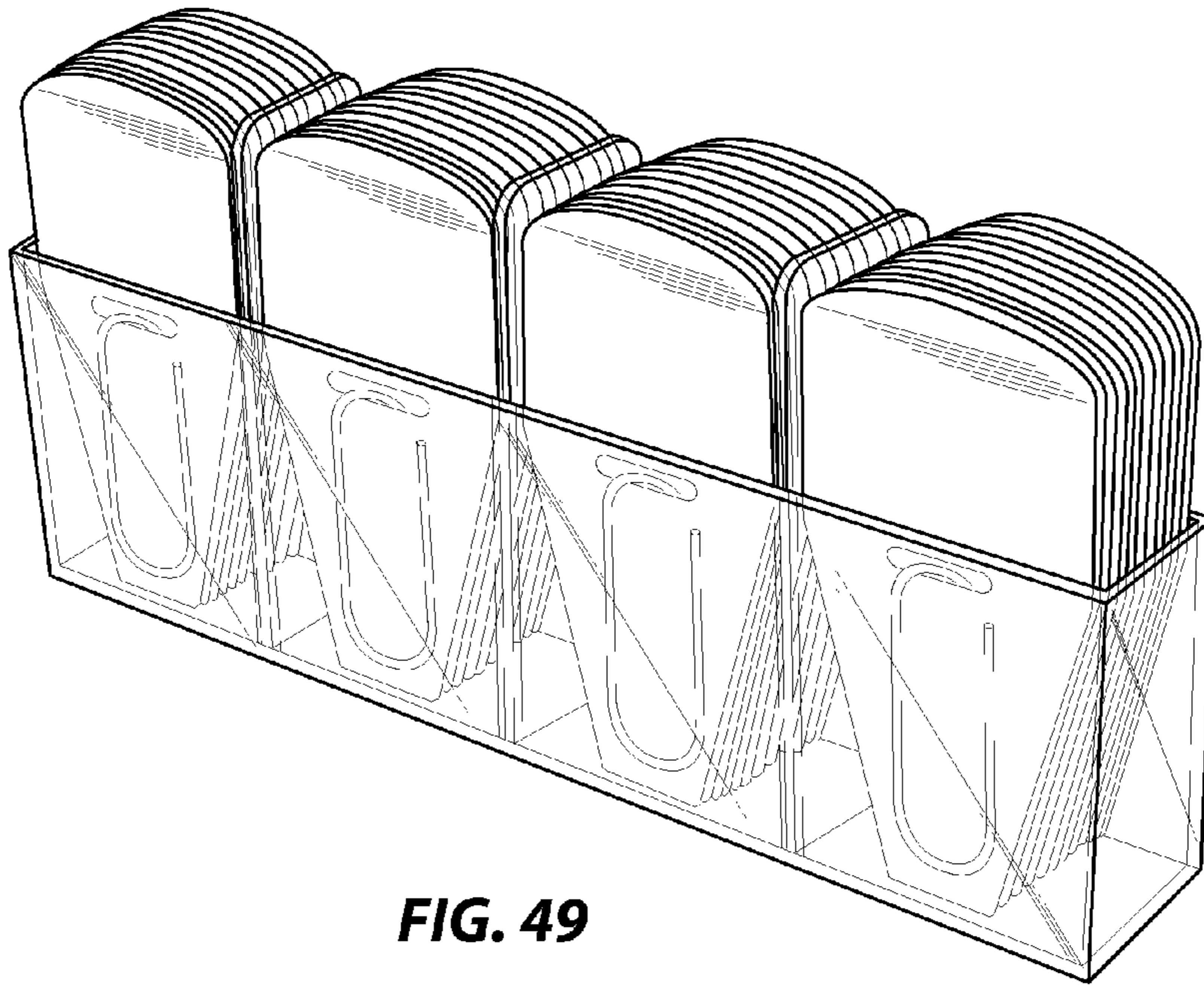
**FIG. 46**



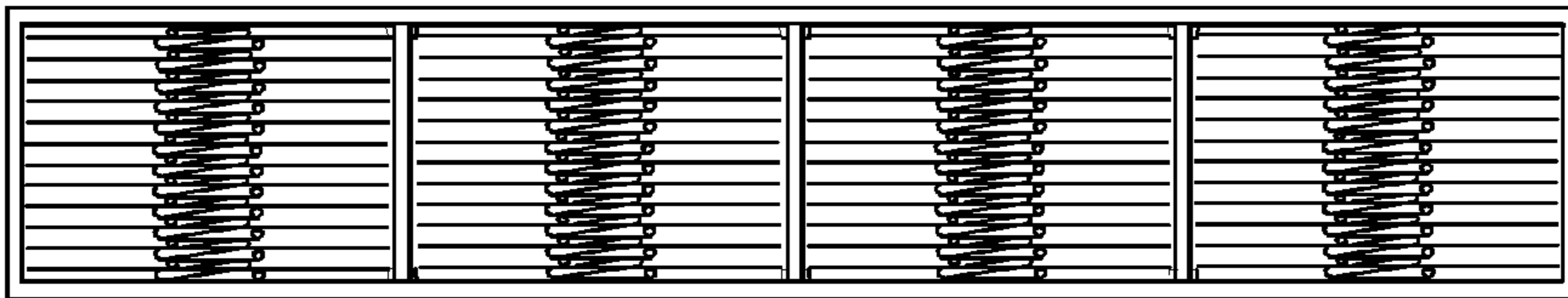
**FIG. 47**



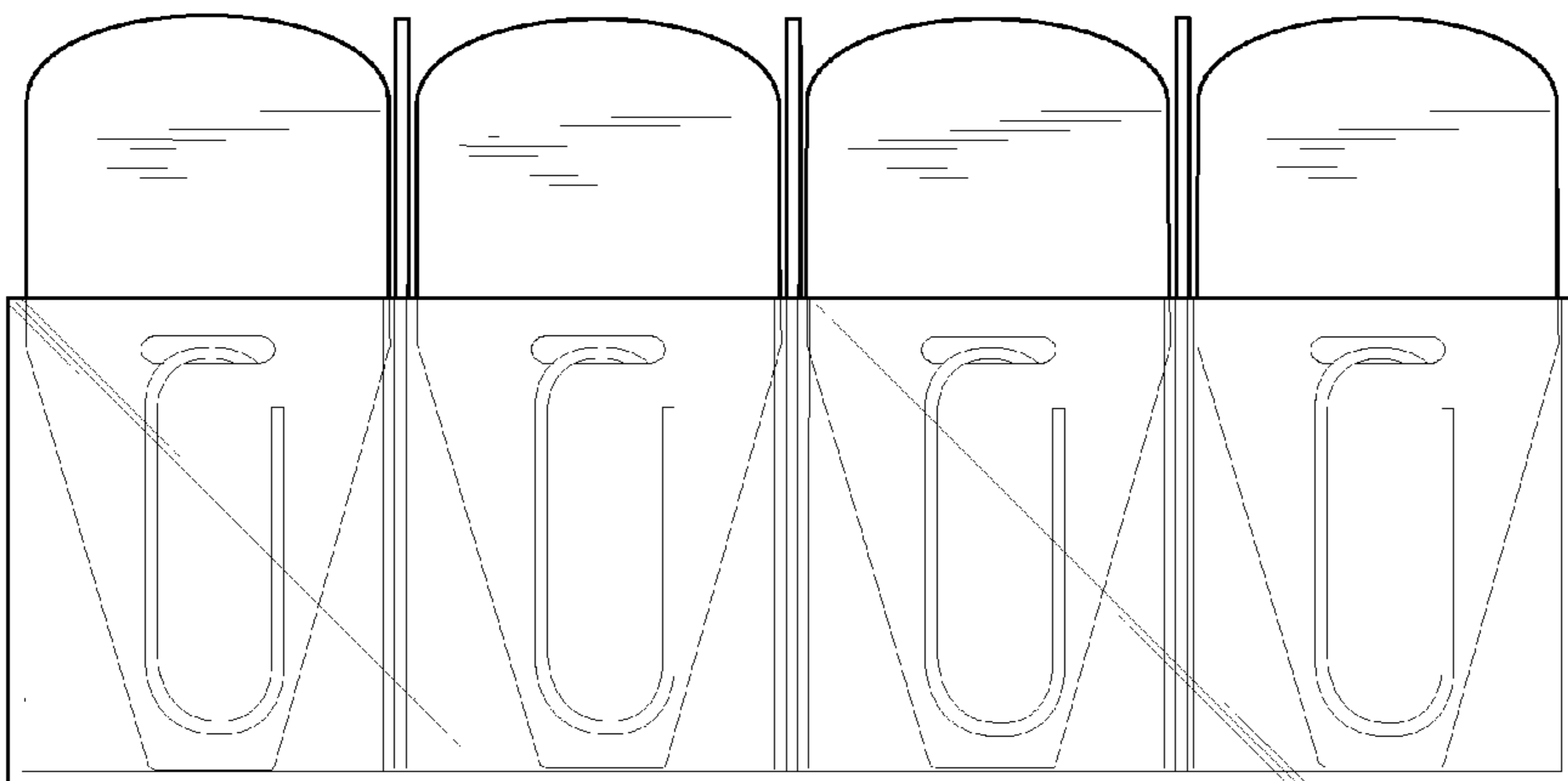
**FIG. 48**



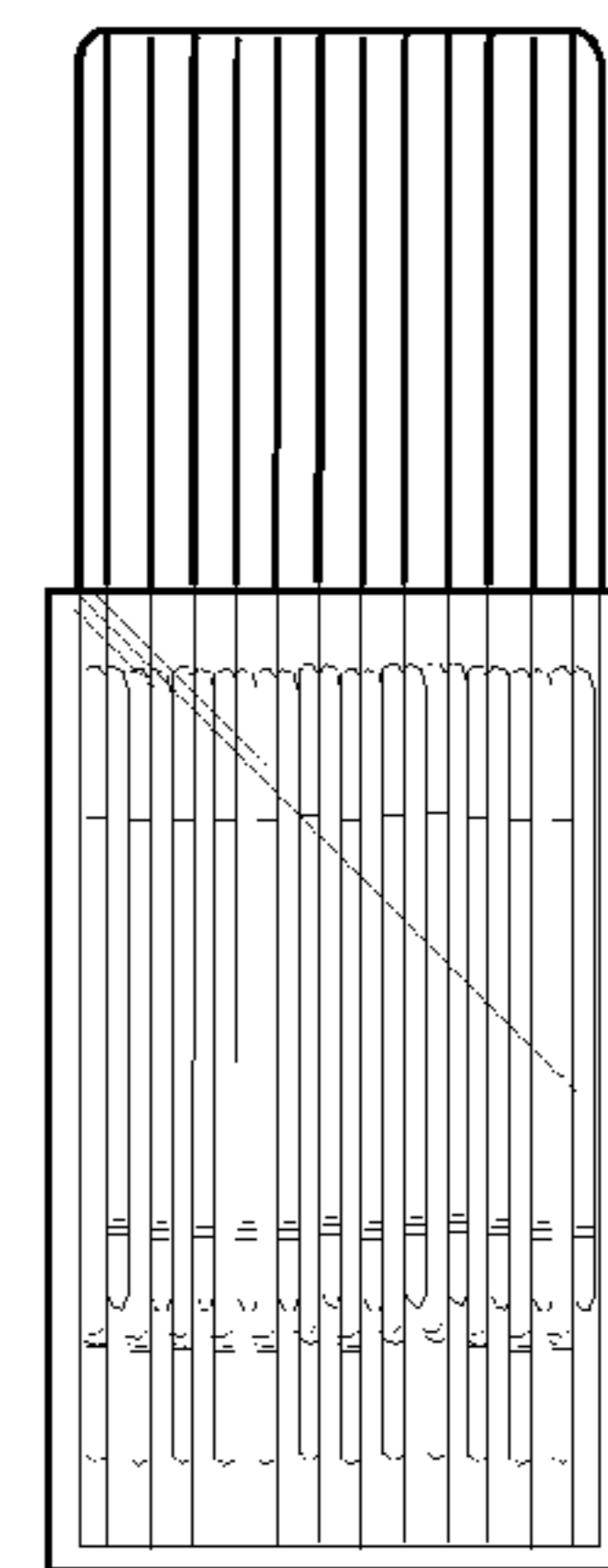
**FIG. 49**



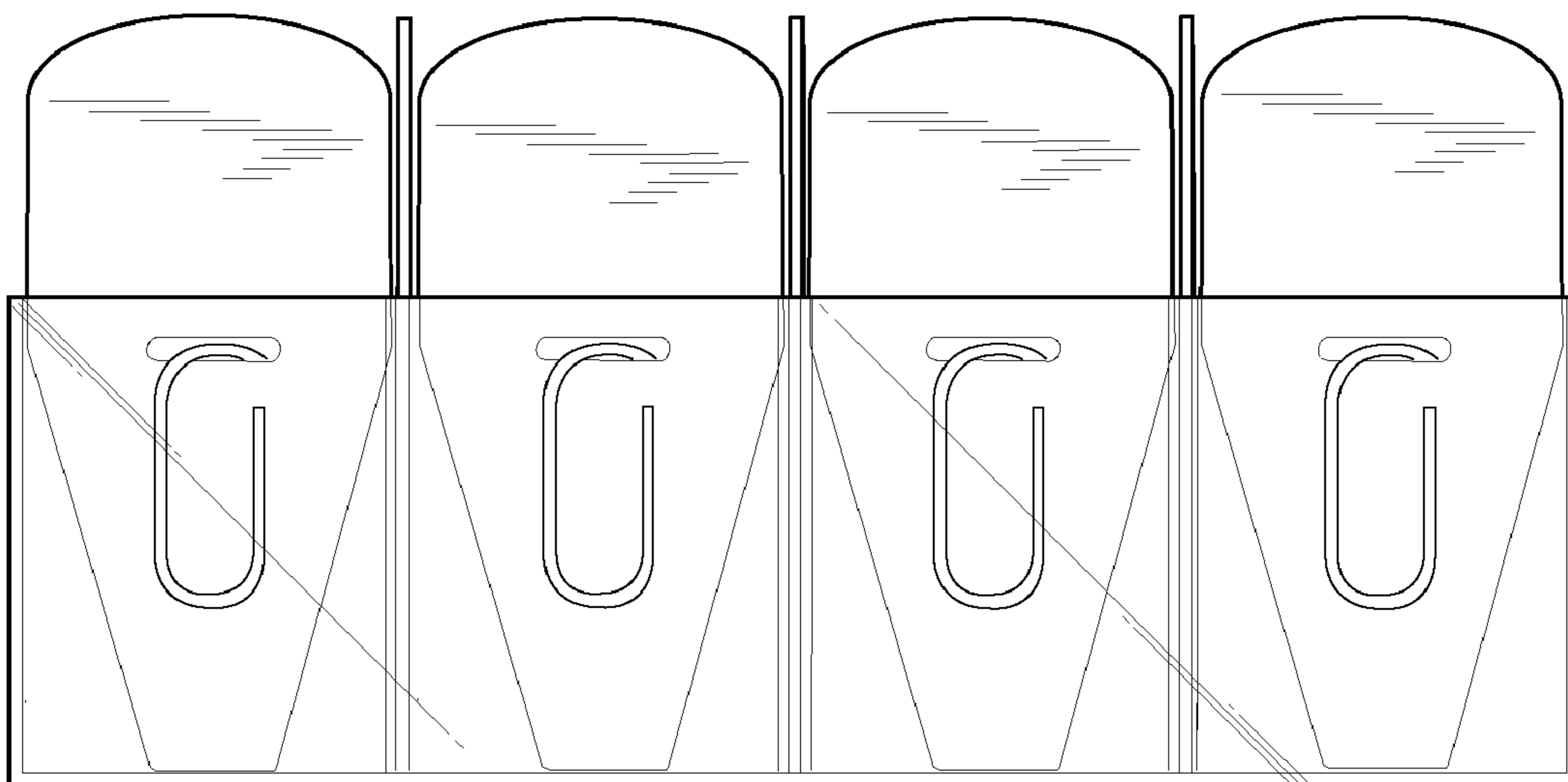
**FIG. 50**



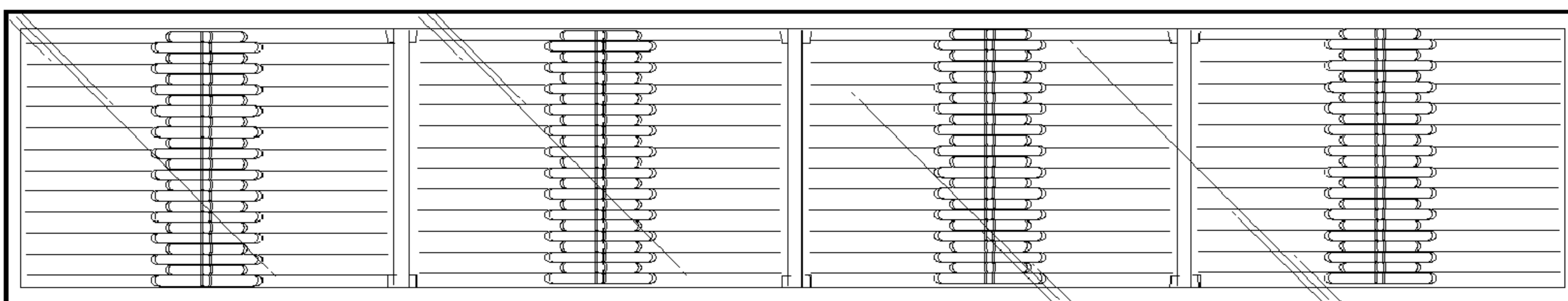
**FIG. 51**



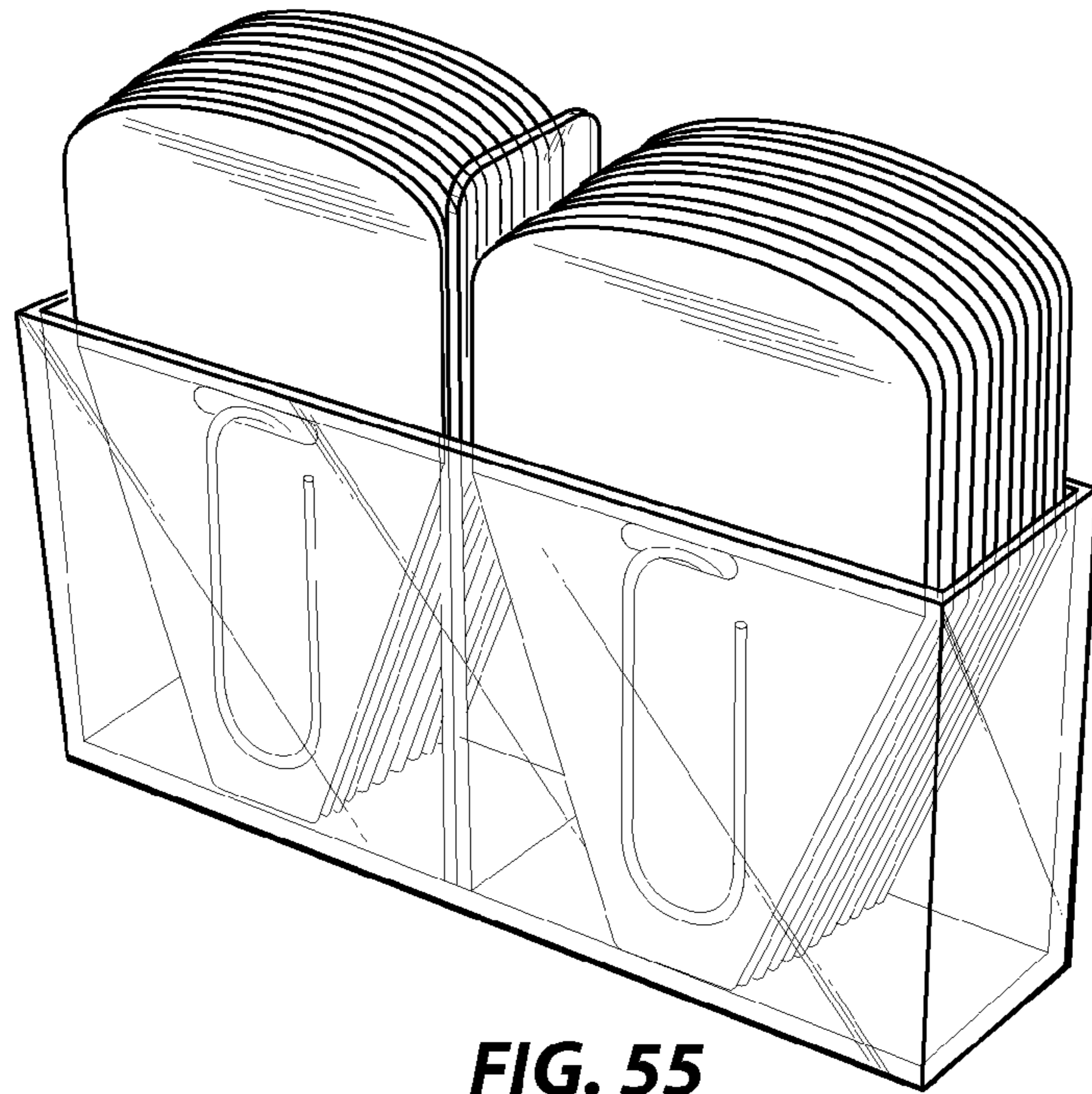
**FIG. 52**



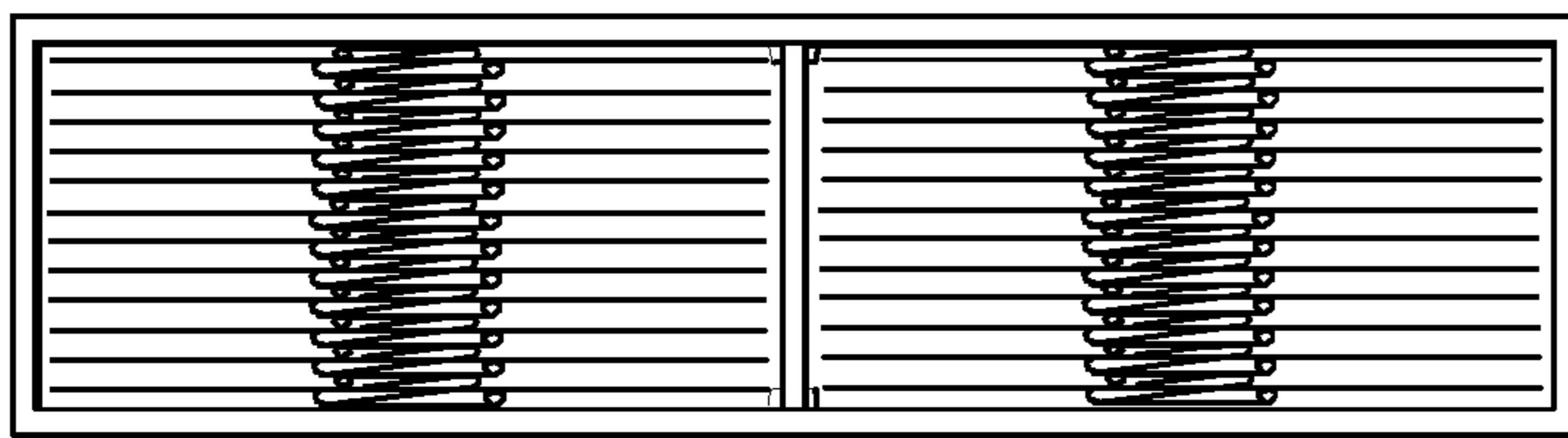
**FIG. 53**



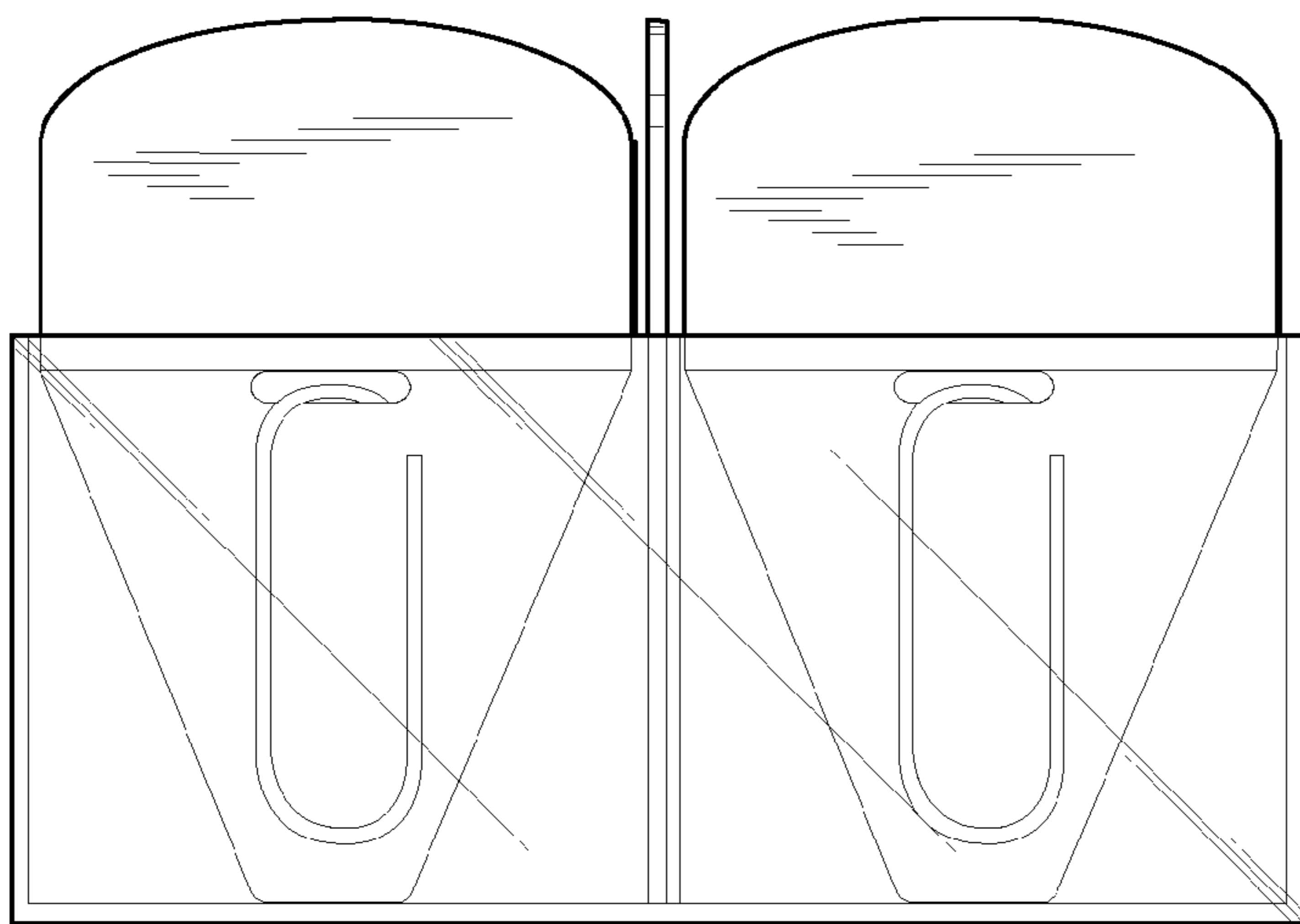
**FIG. 54**



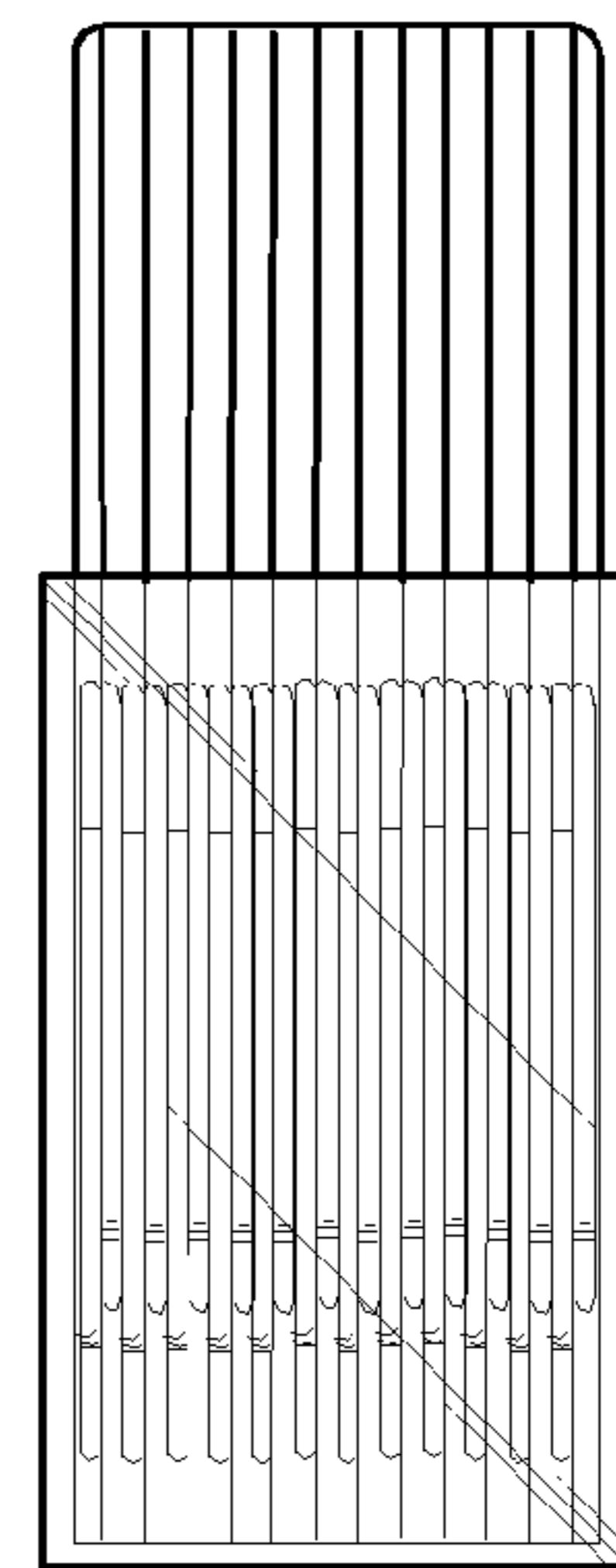
**FIG. 55**



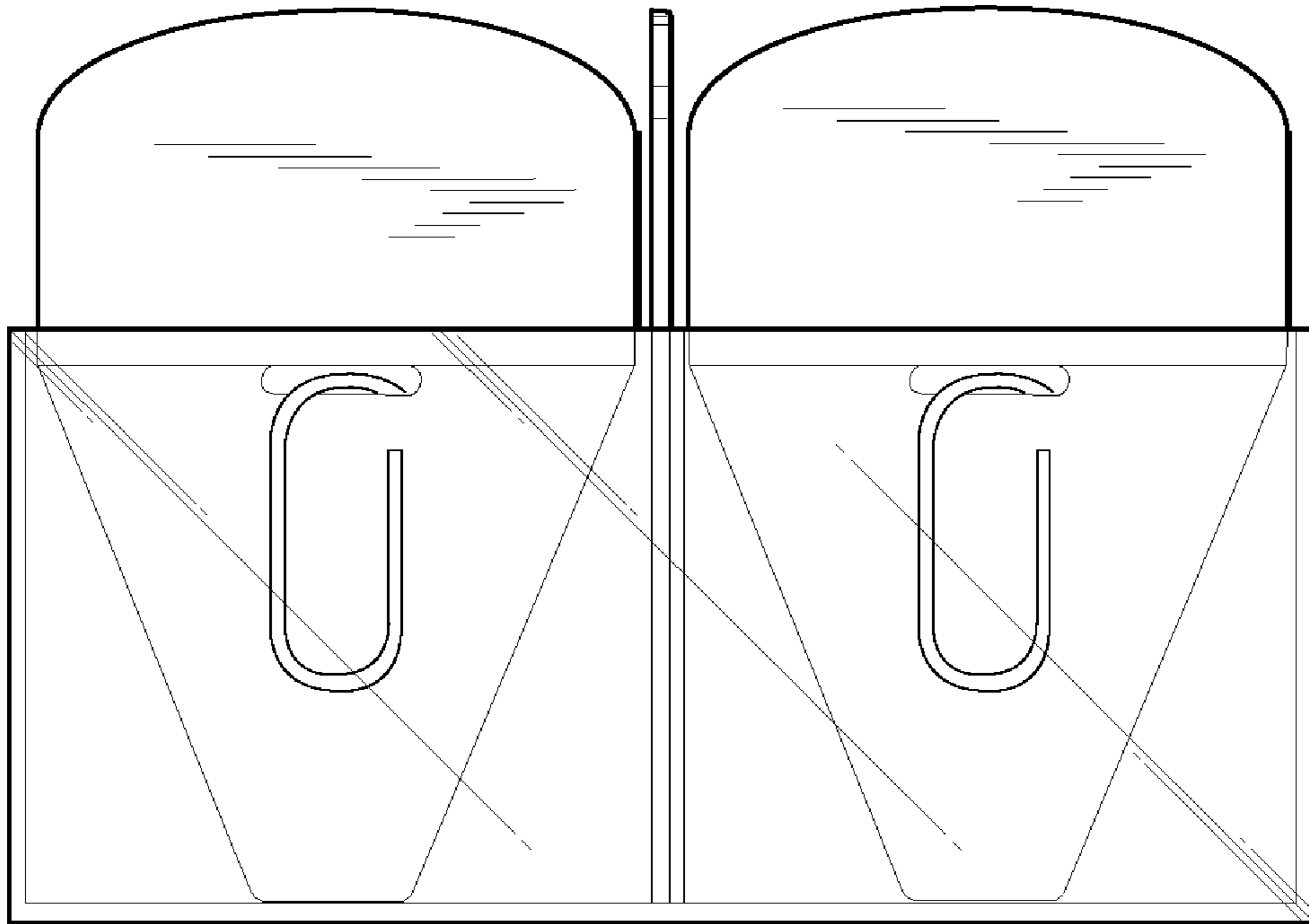
**FIG. 56**



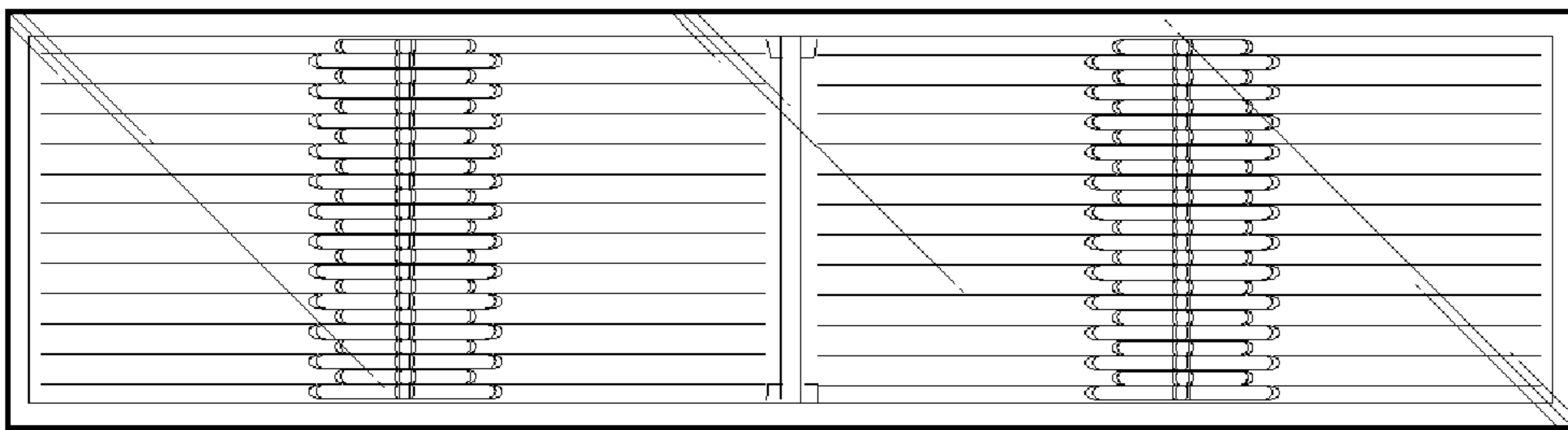
**FIG. 57**



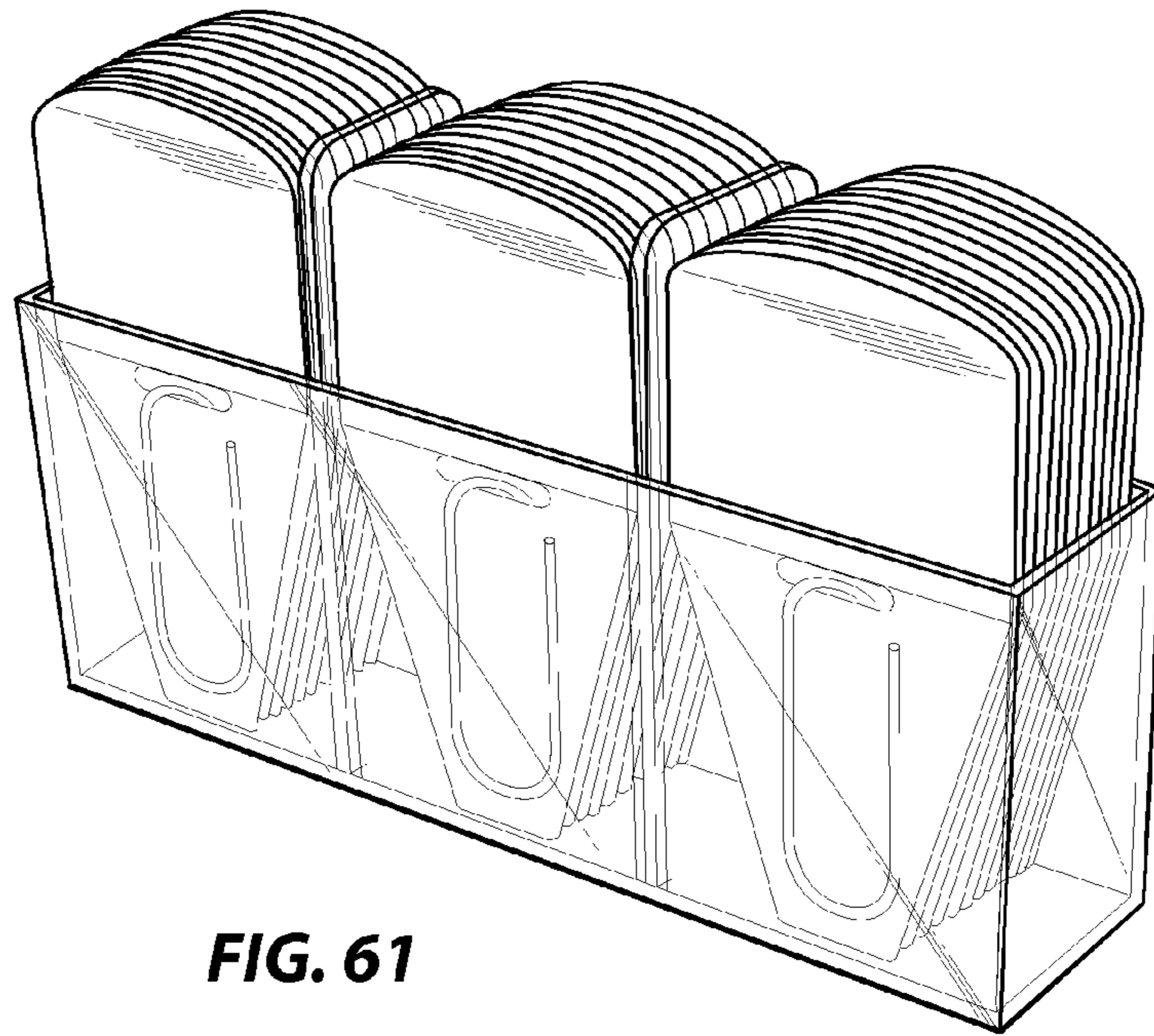
**FIG. 58**



**FIG. 59**



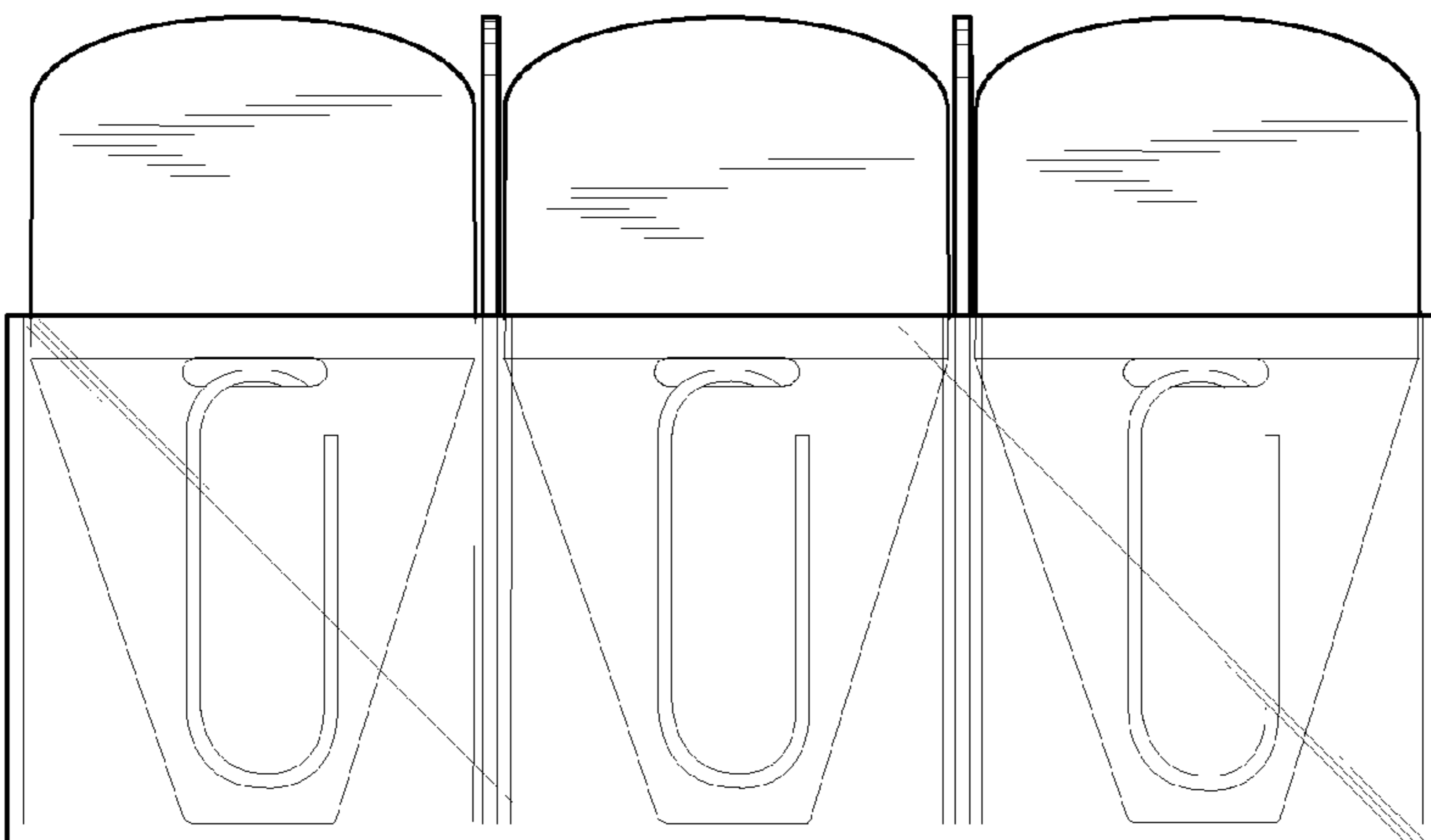
**FIG. 60**



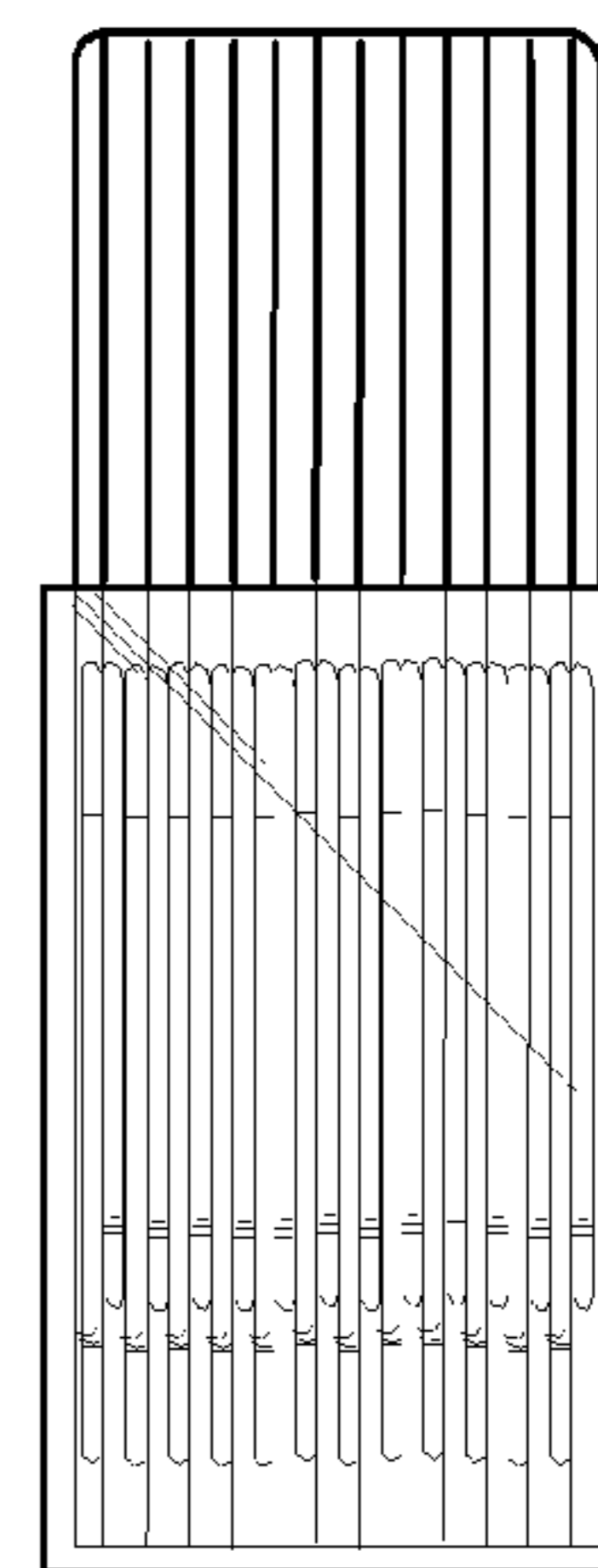
**FIG. 61**



**FIG. 62**

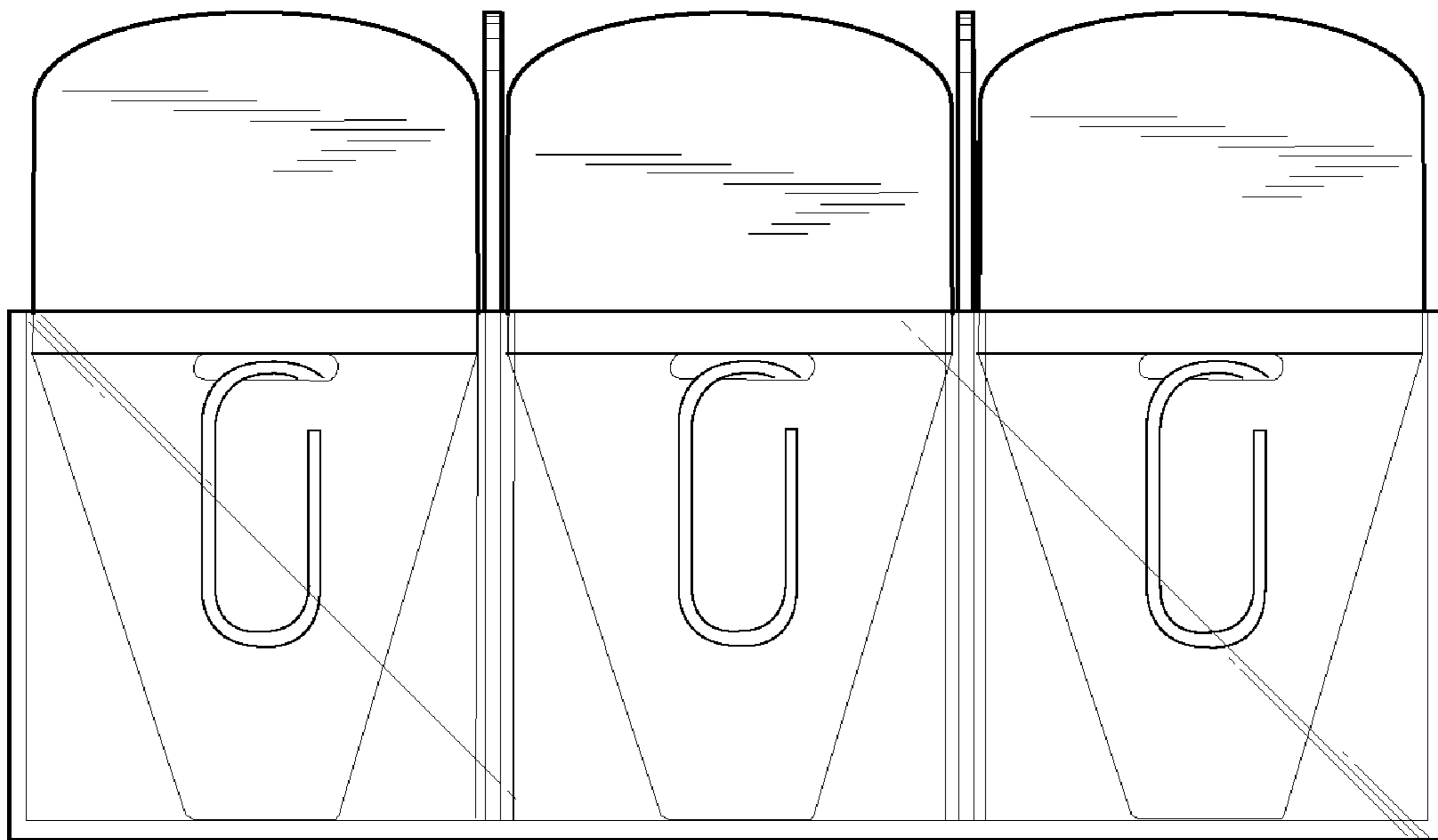


**FIG. 63**

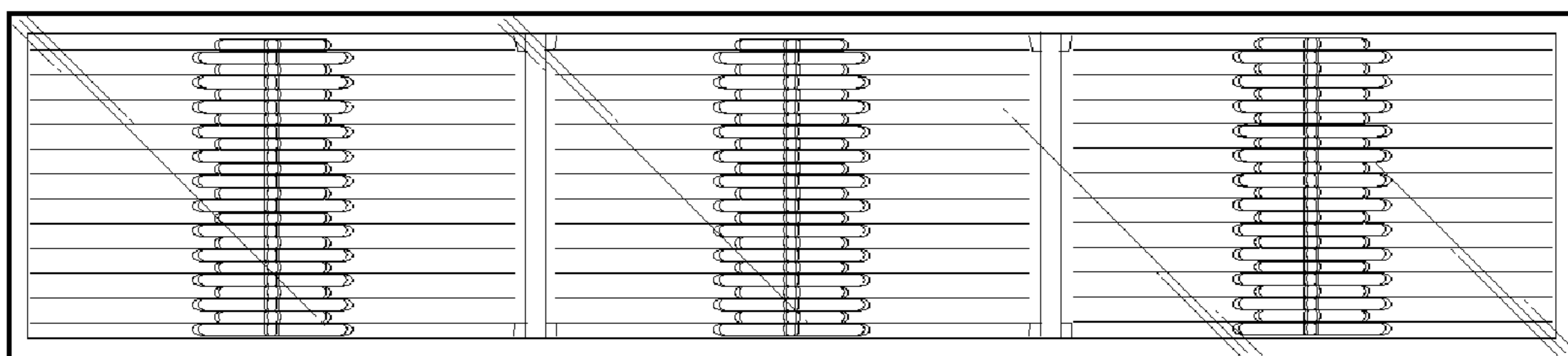


**FIG. 64**

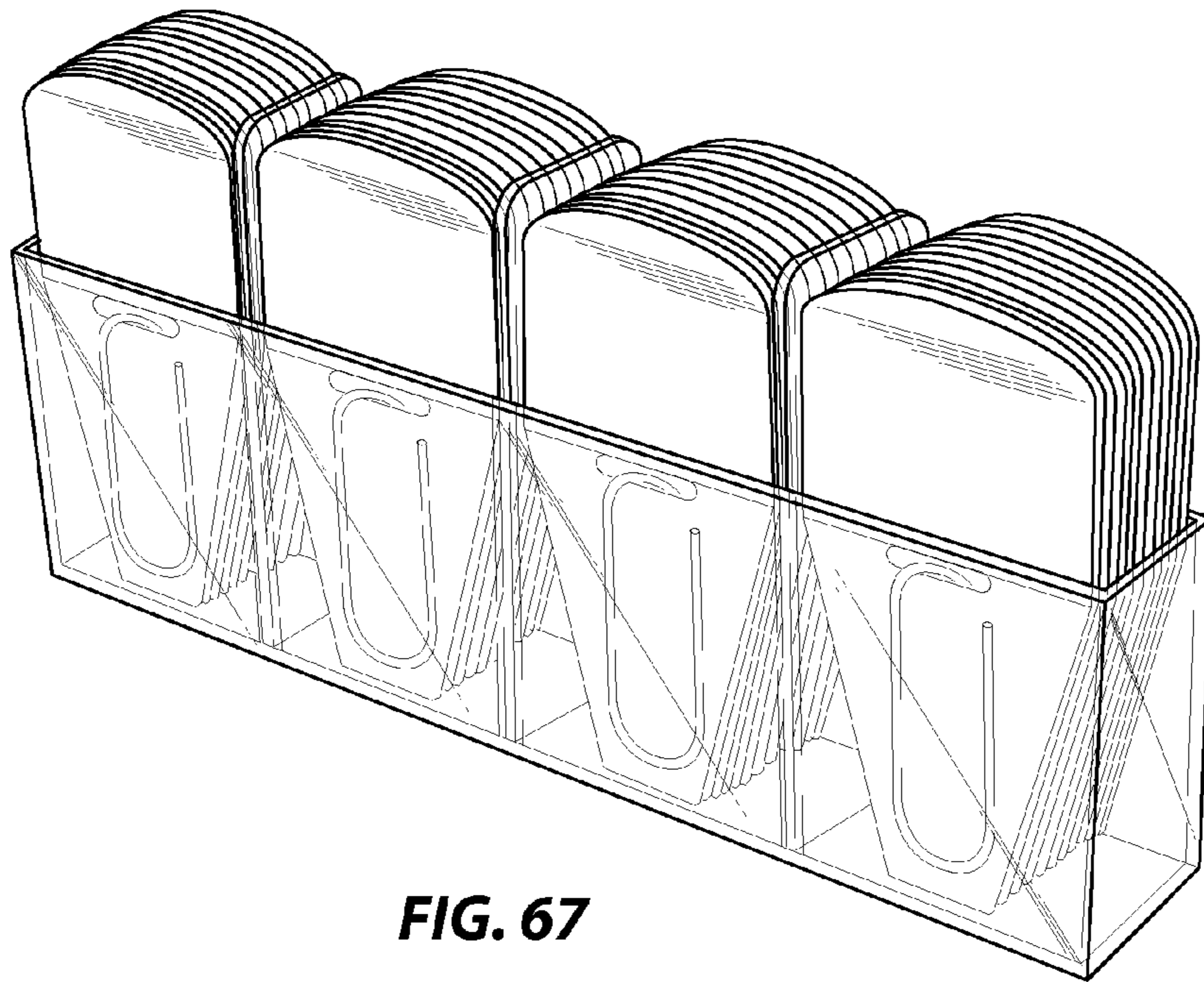




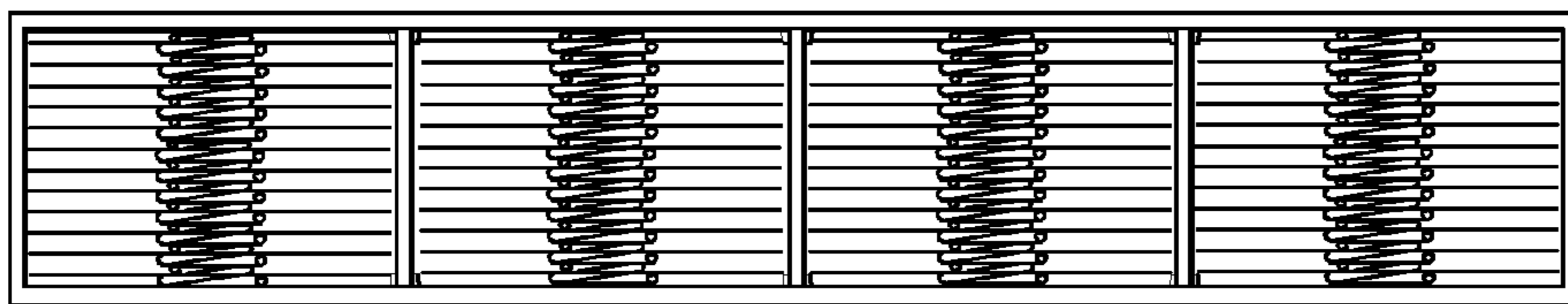
**FIG. 65**



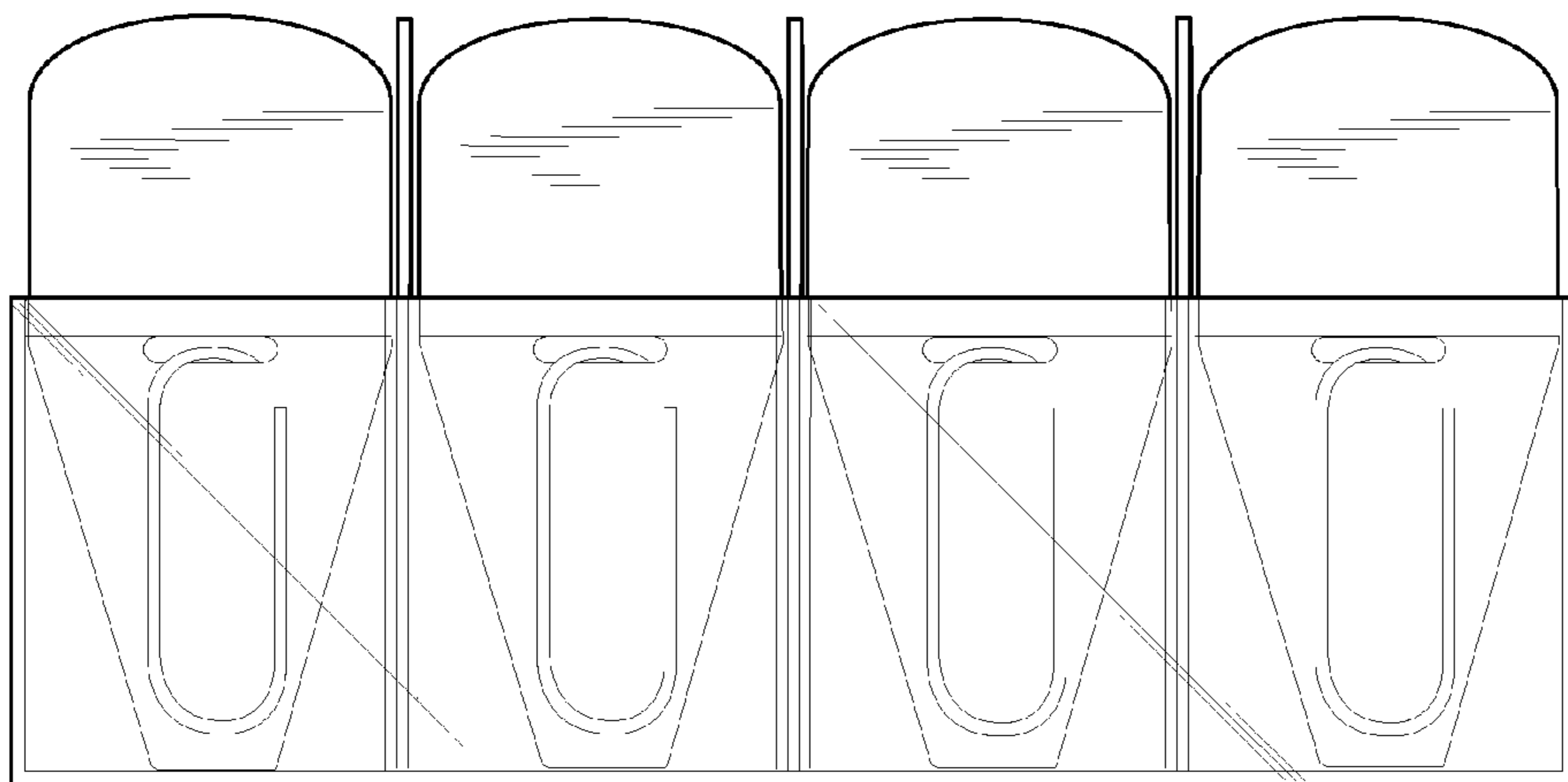
**FIG. 66**



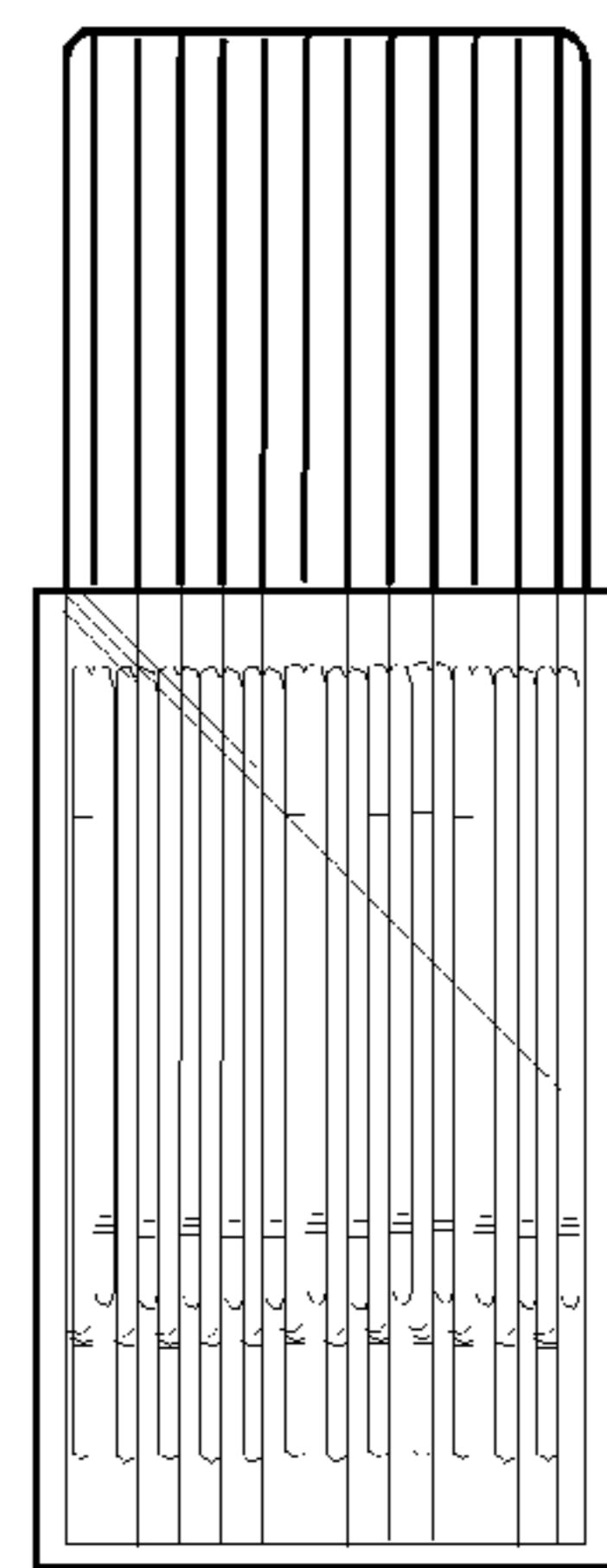
**FIG. 67**



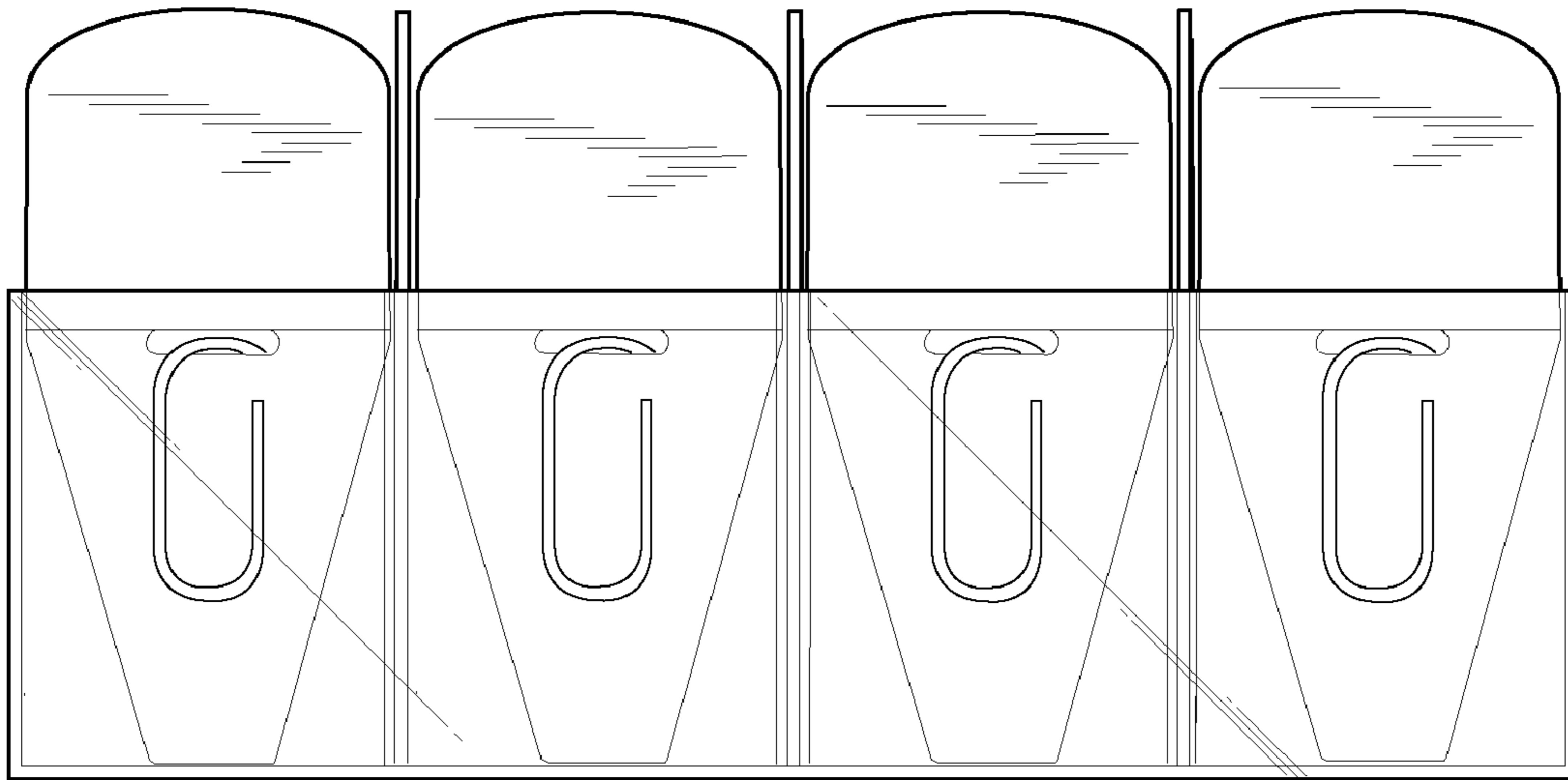
**FIG. 68**



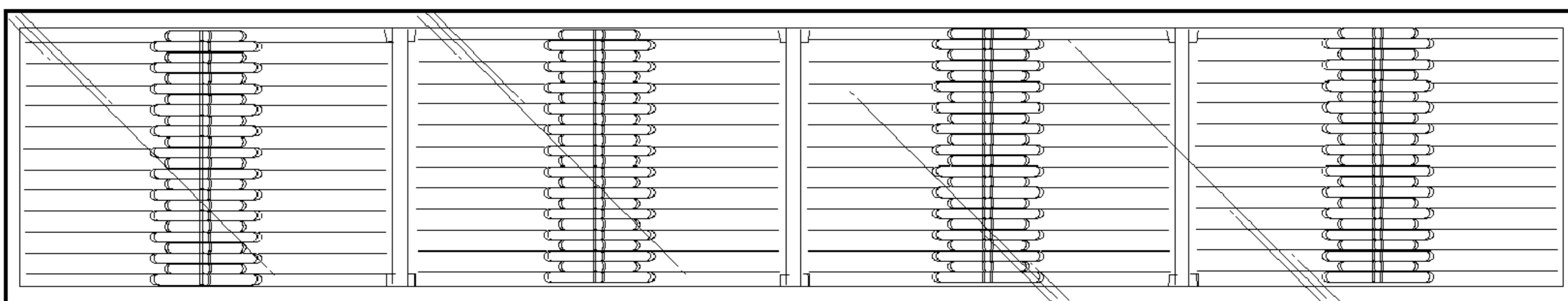
**FIG. 69**



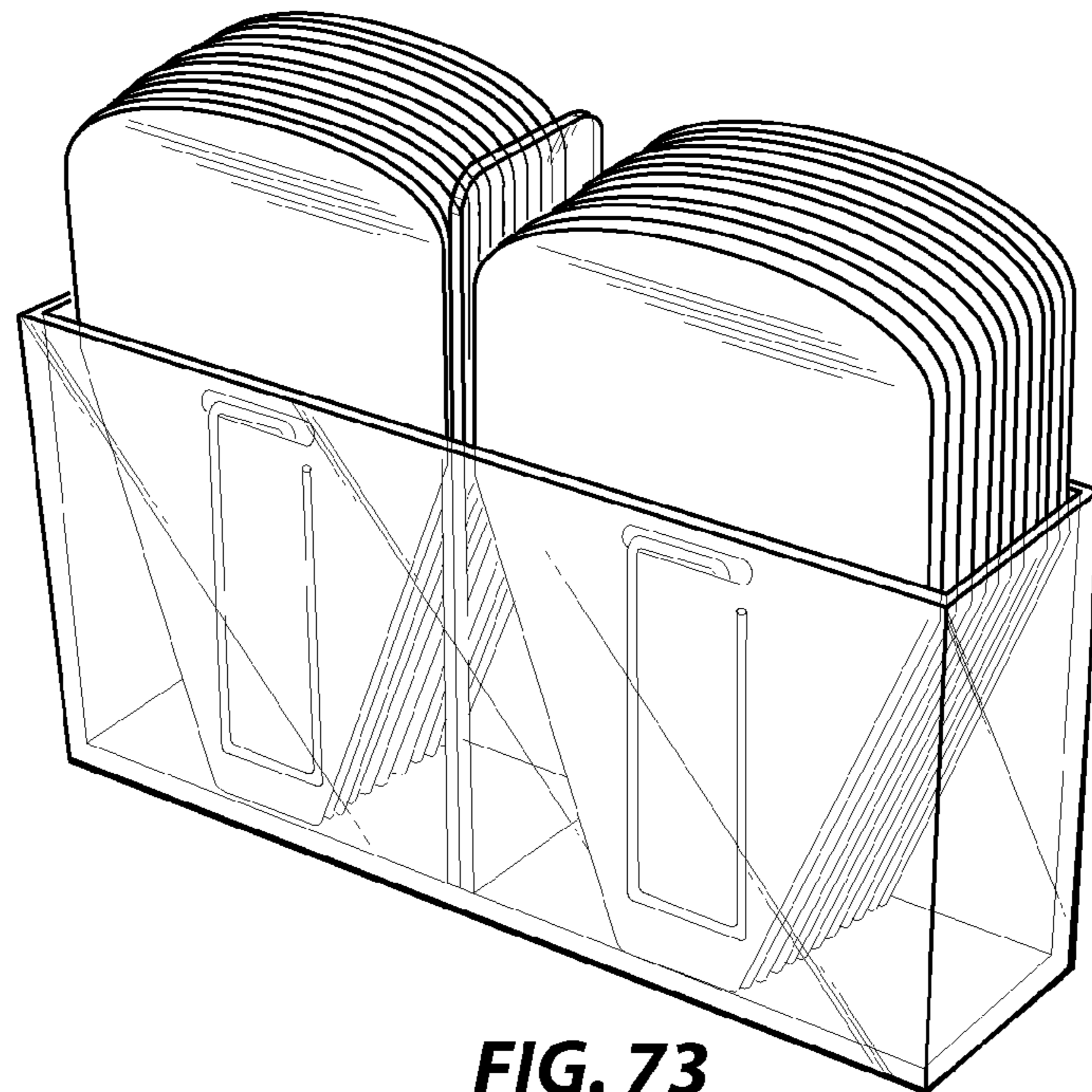
**FIG. 70**



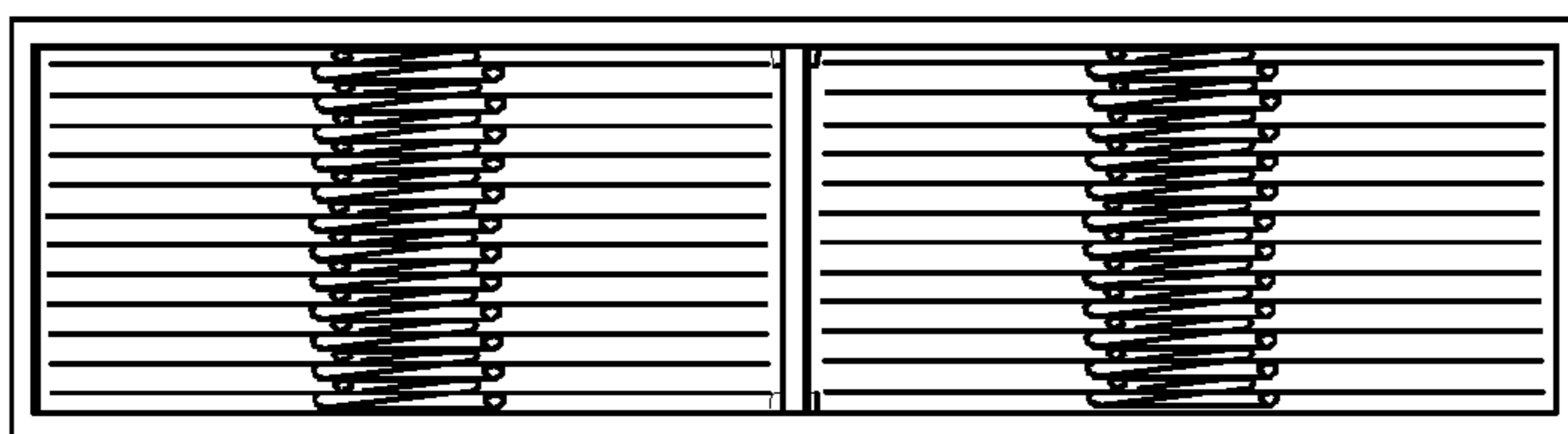
**FIG. 71**



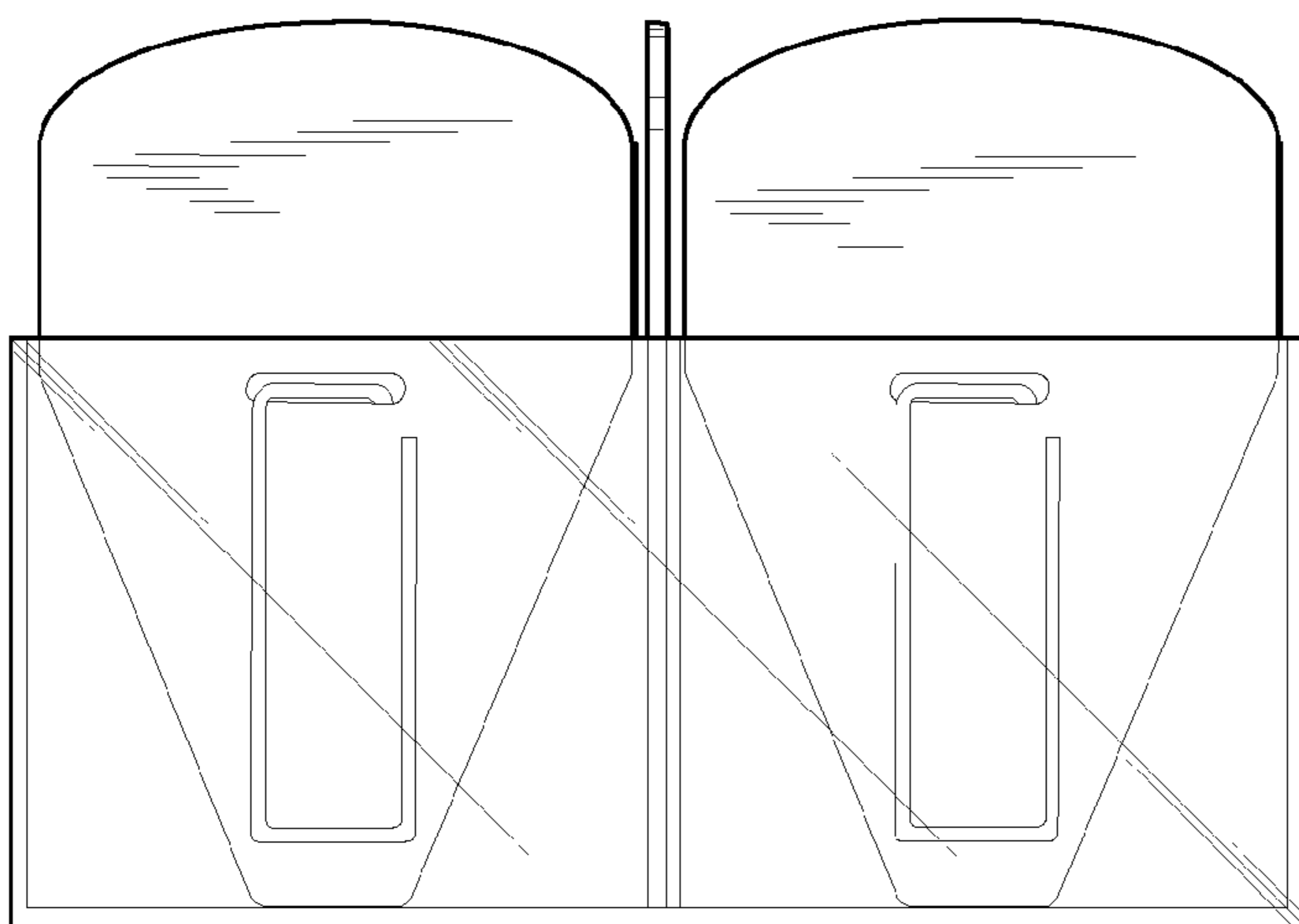
**FIG. 72**



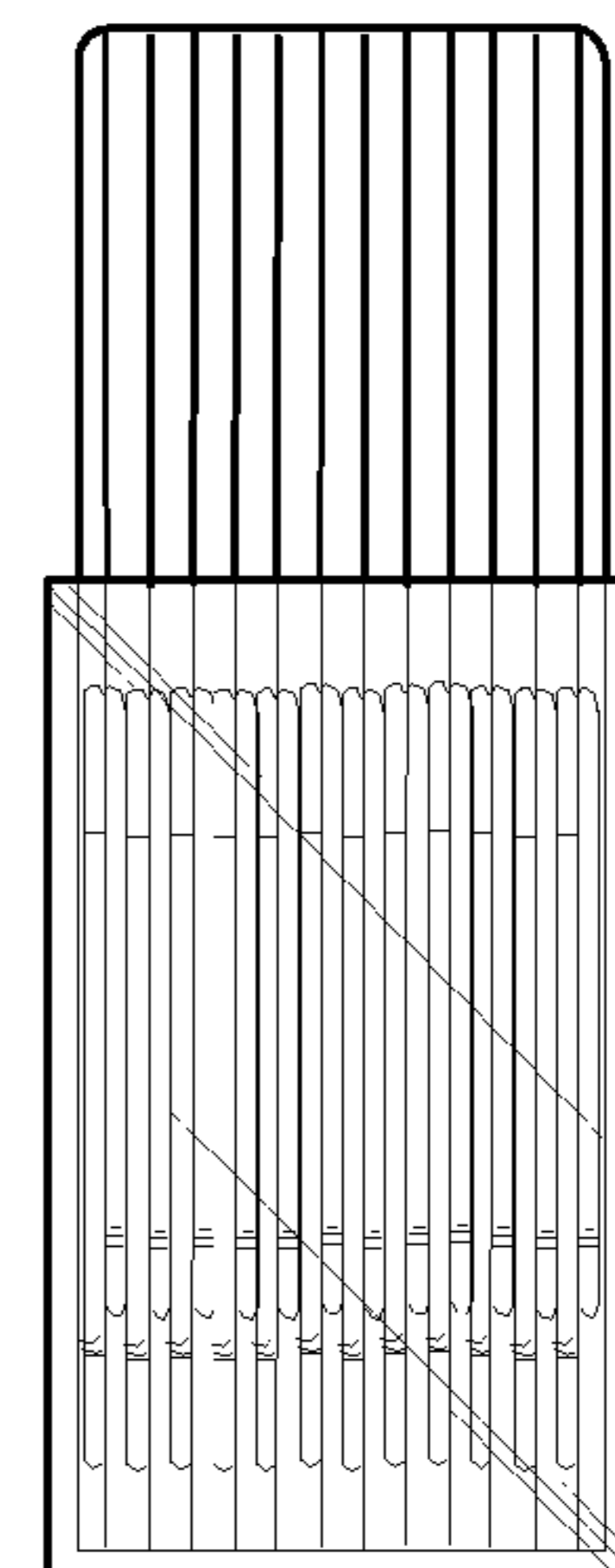
**FIG. 73**



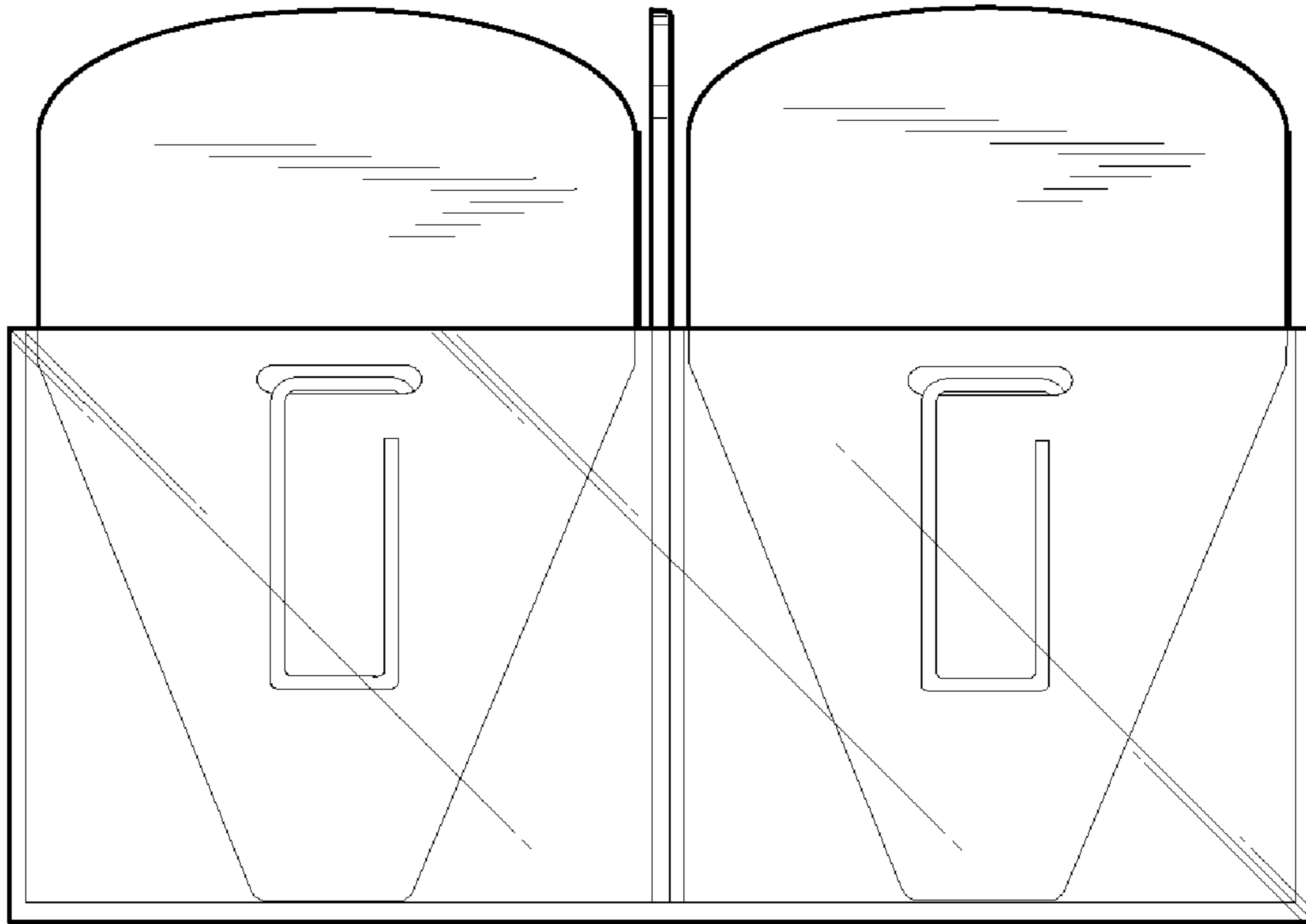
**FIG. 74**



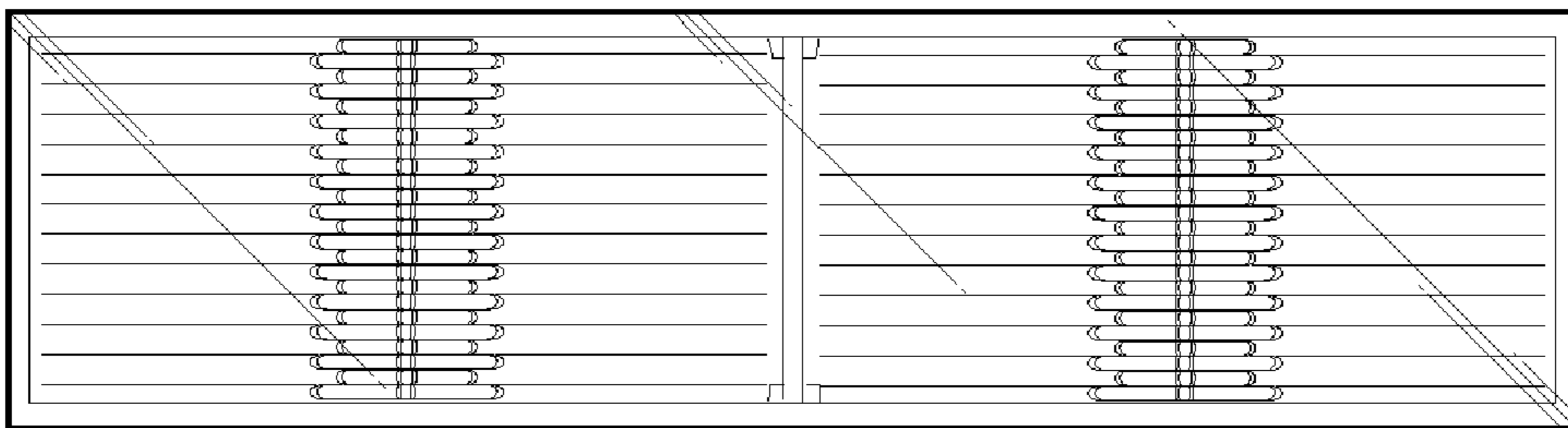
**FIG. 75**



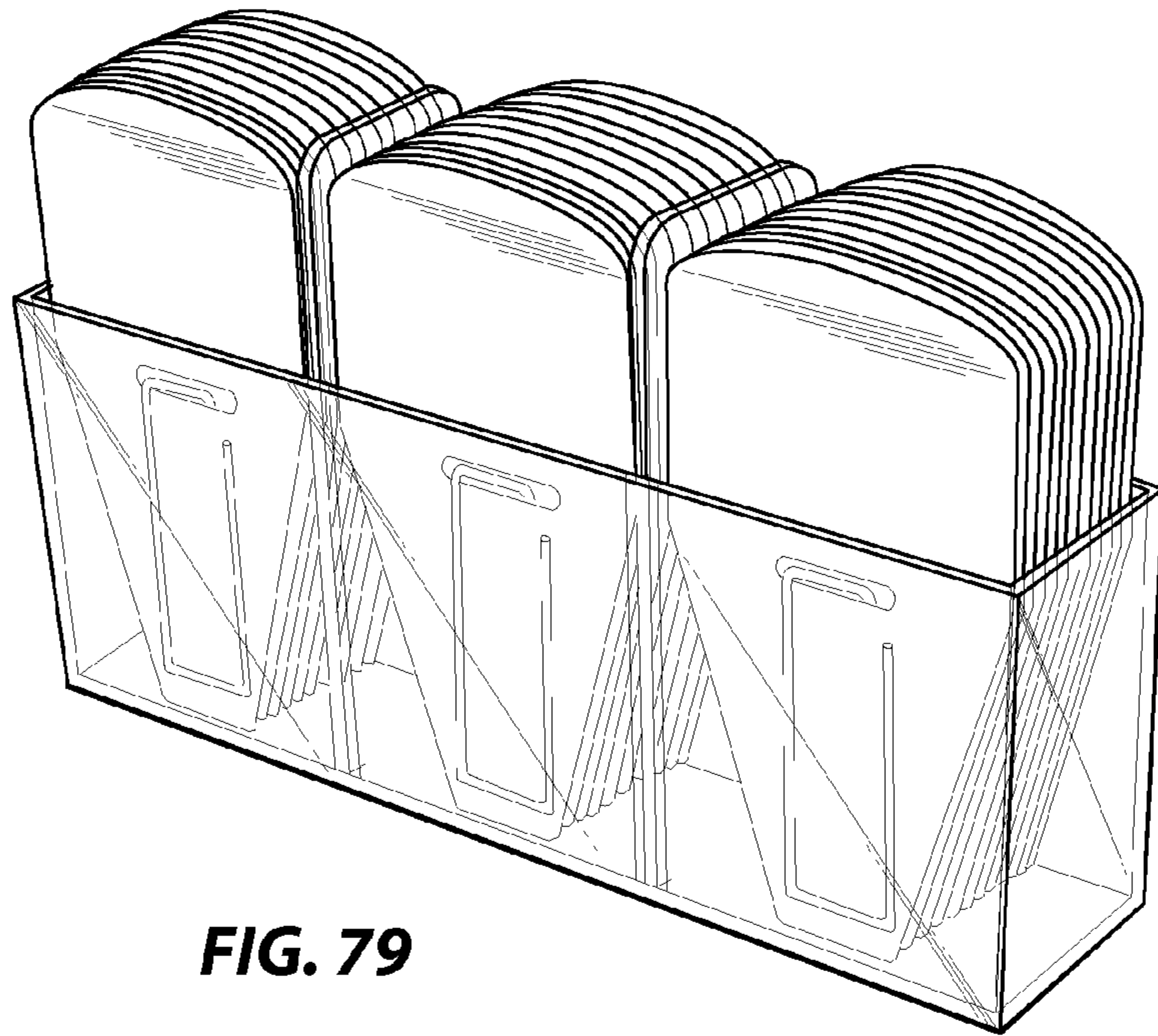
**FIG. 76**



**FIG. 77**



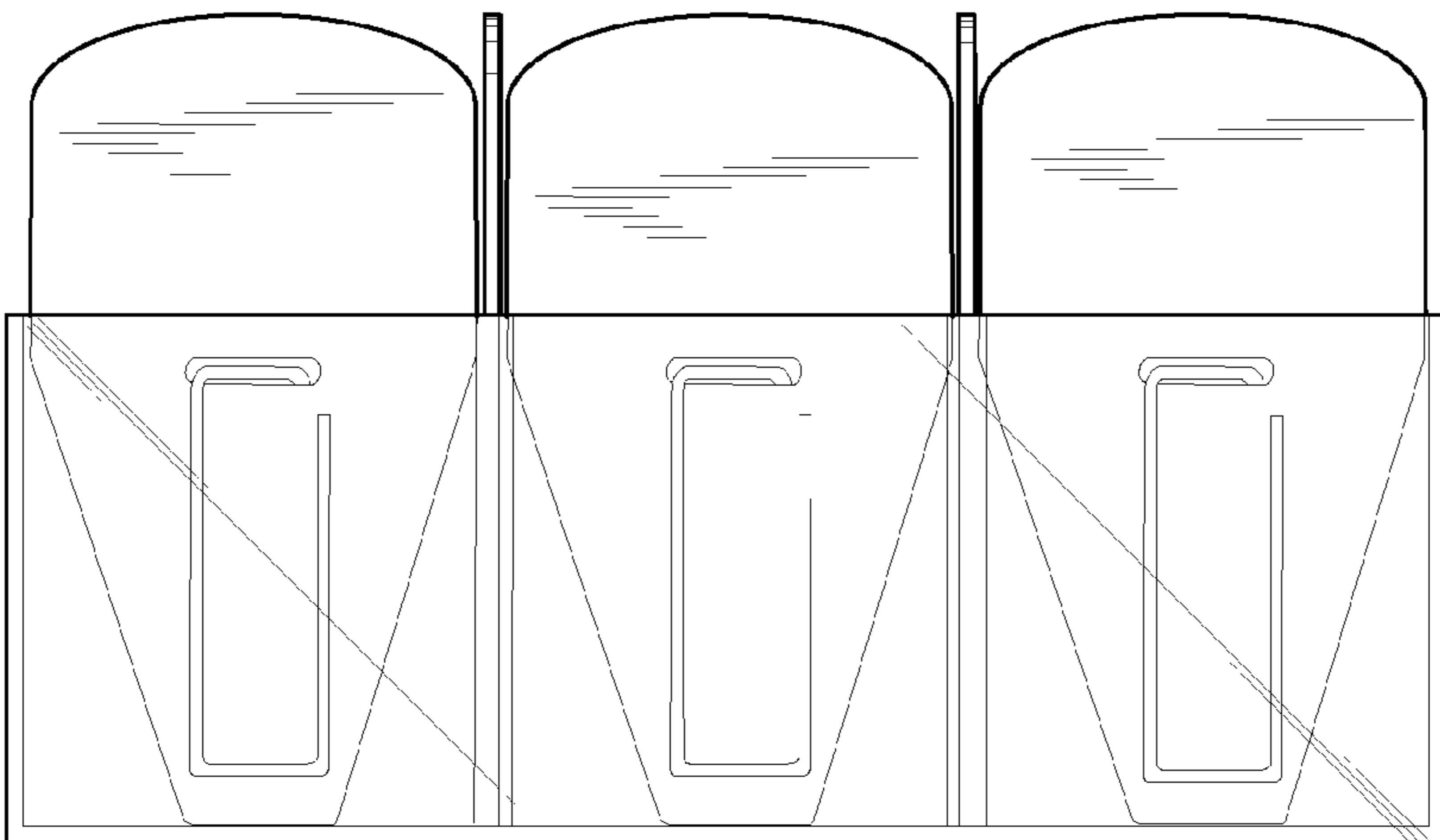
**FIG. 78**



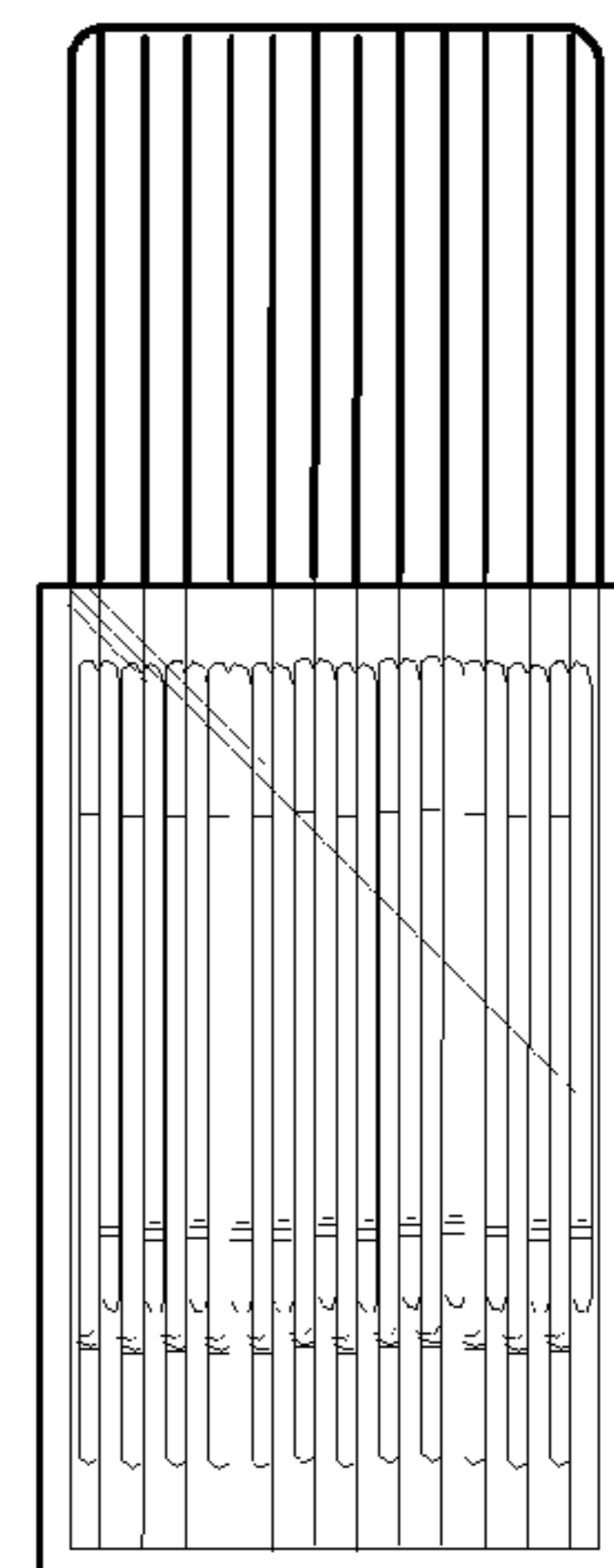
**FIG. 79**



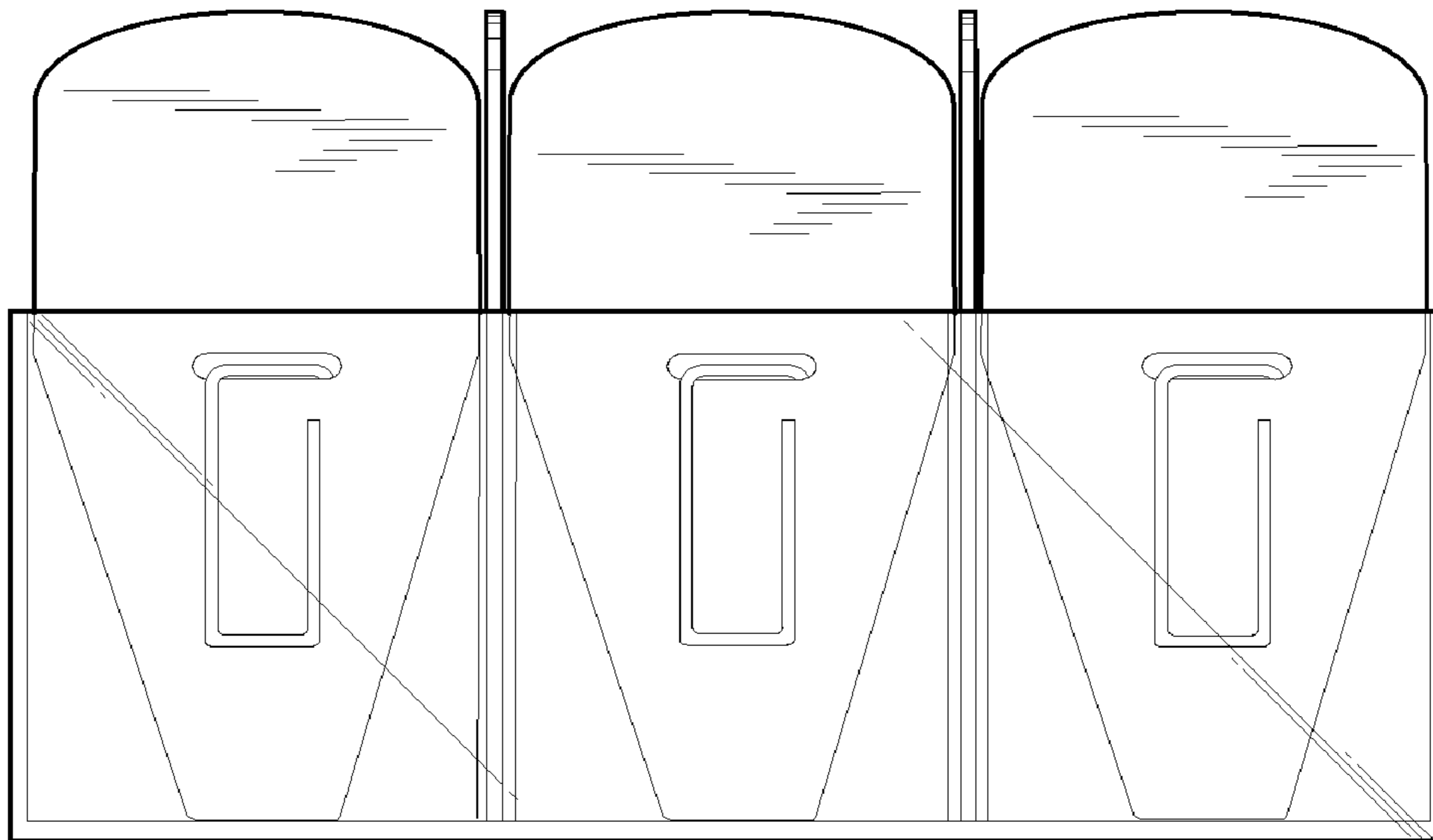
**FIG. 80**



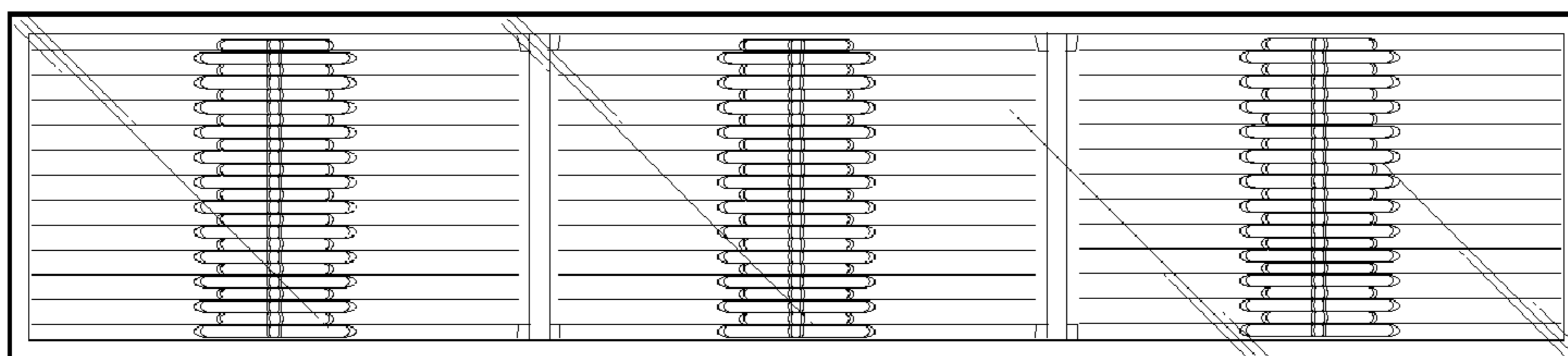
**FIG. 81**



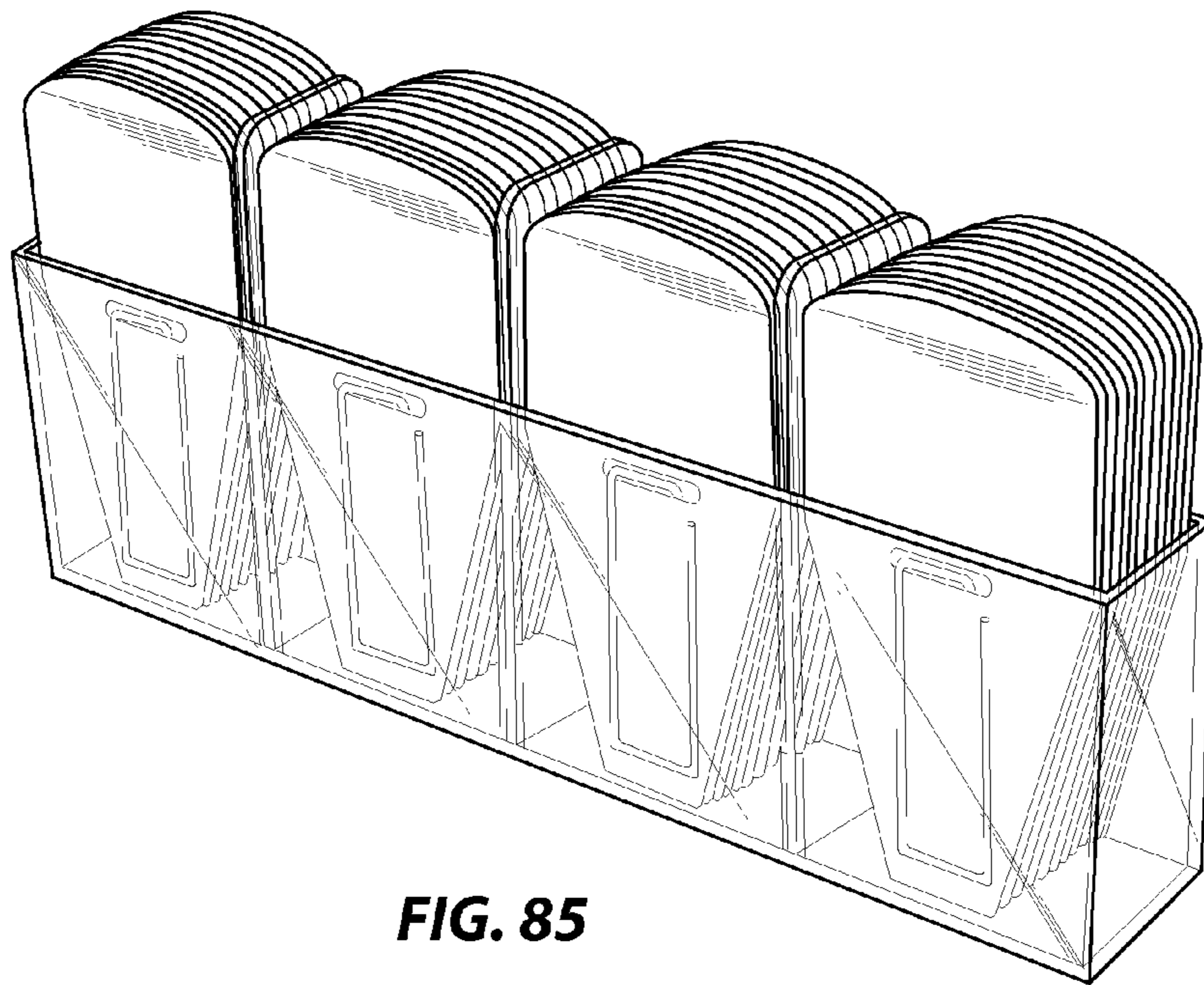
**FIG. 82**



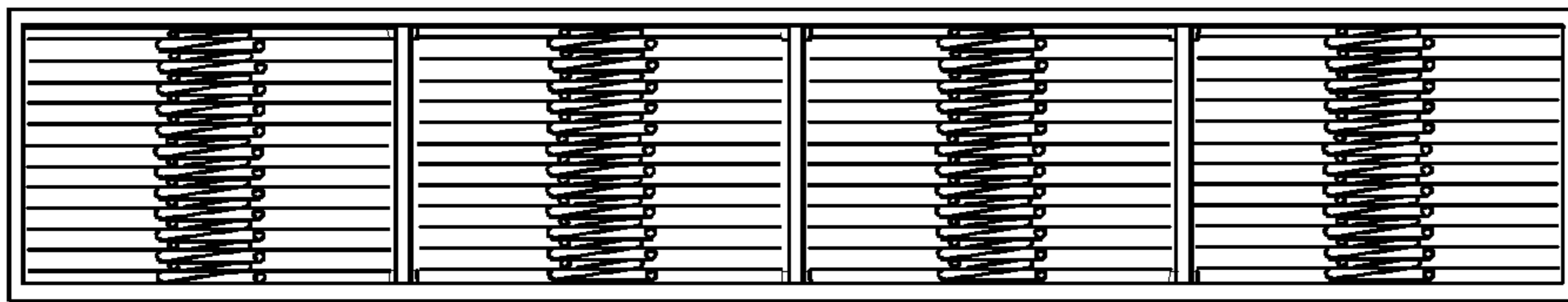
**FIG. 83**



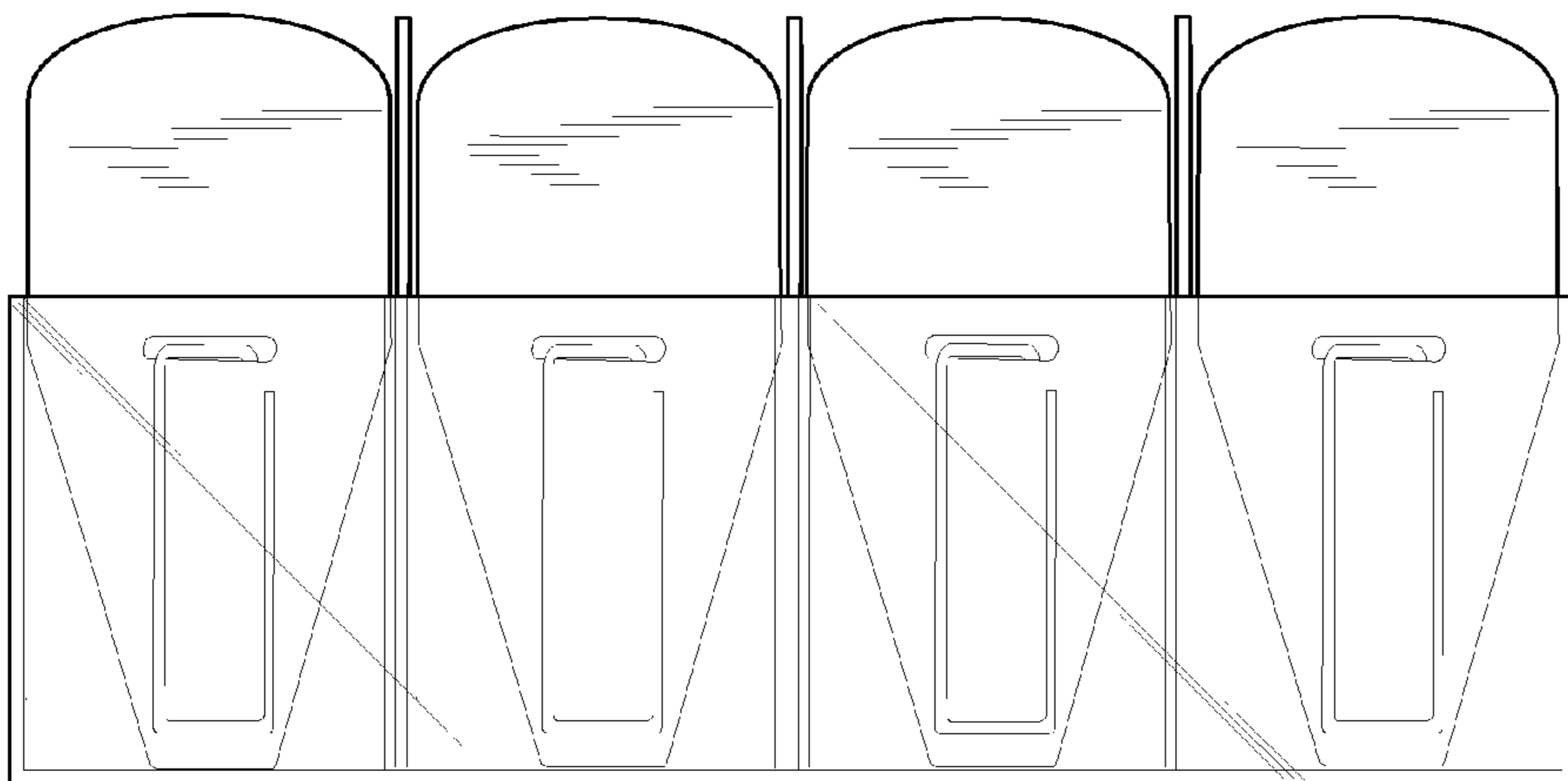
**FIG. 84**



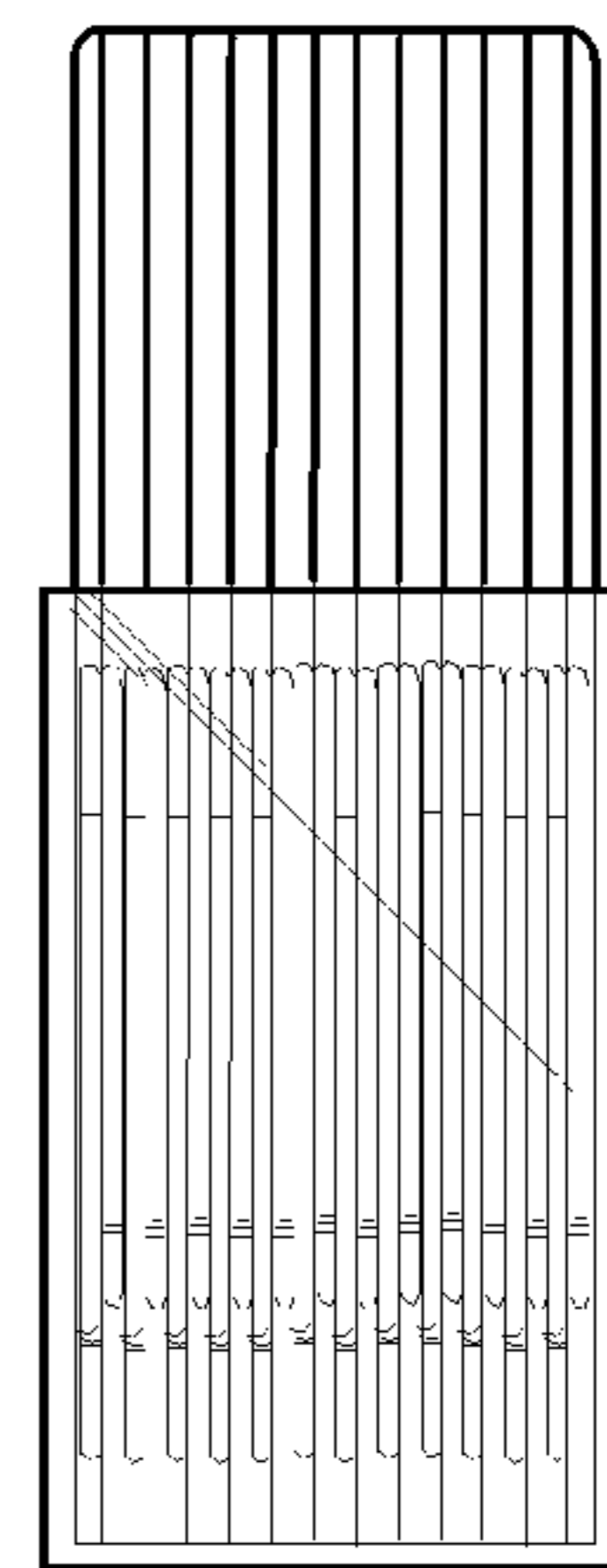
**FIG. 85**



**FIG. 86**

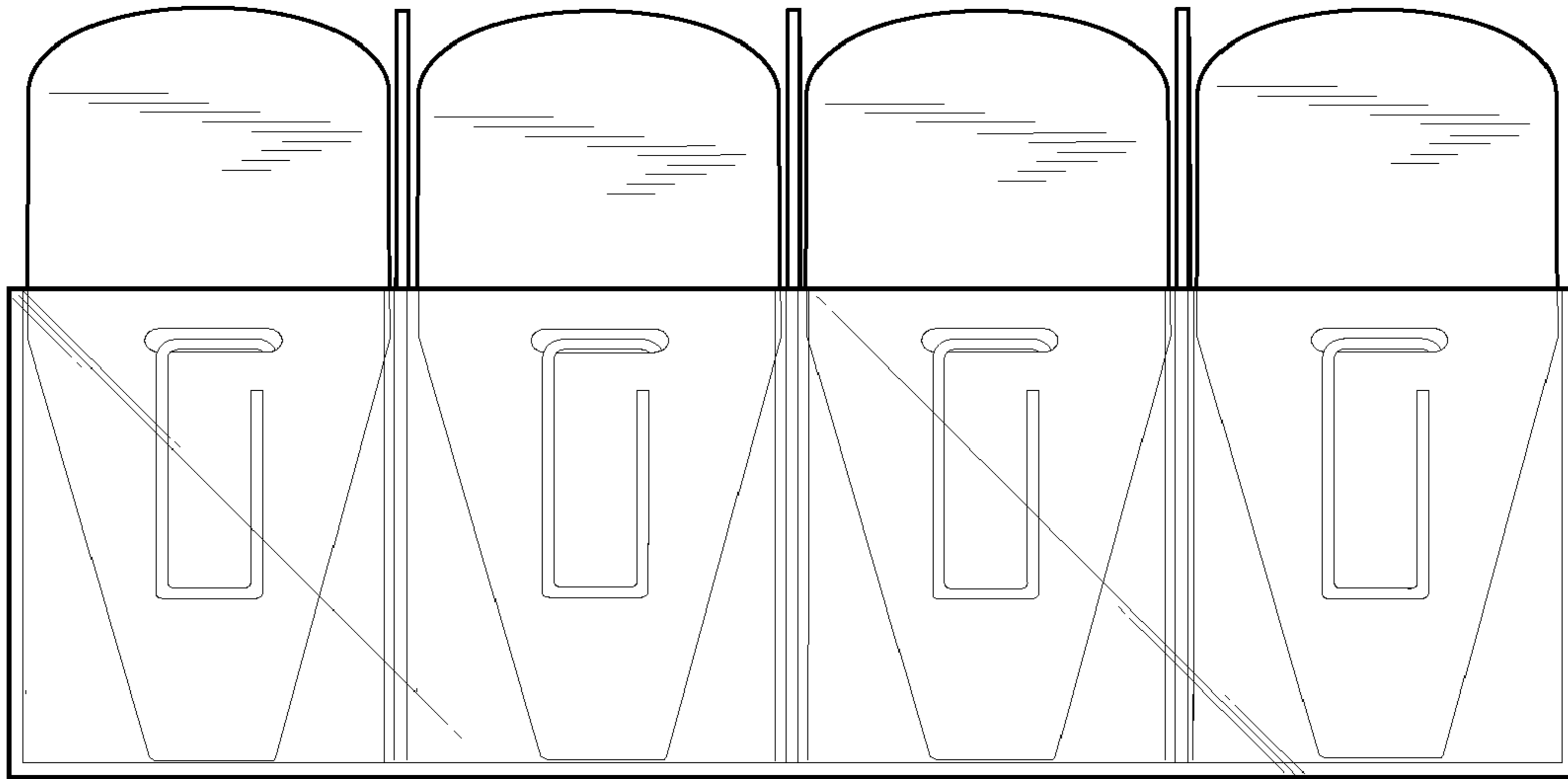


**FIG. 87**

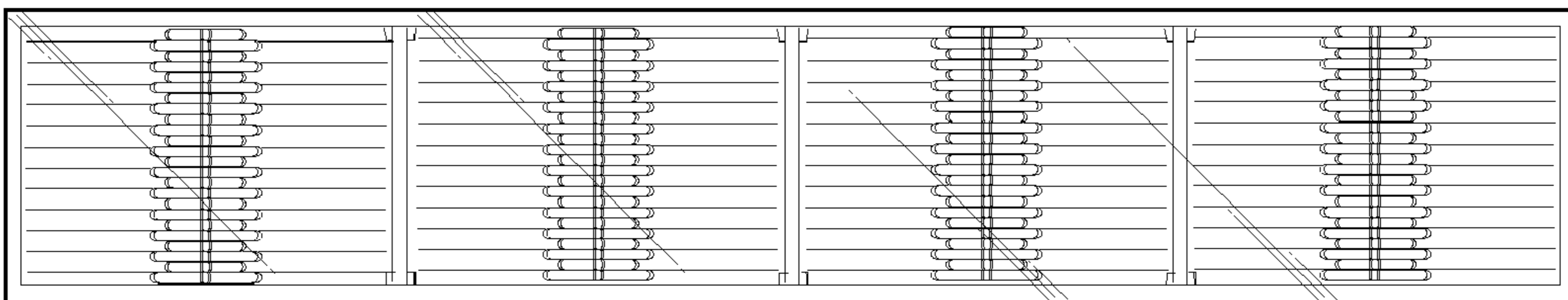


**FIG. 88**

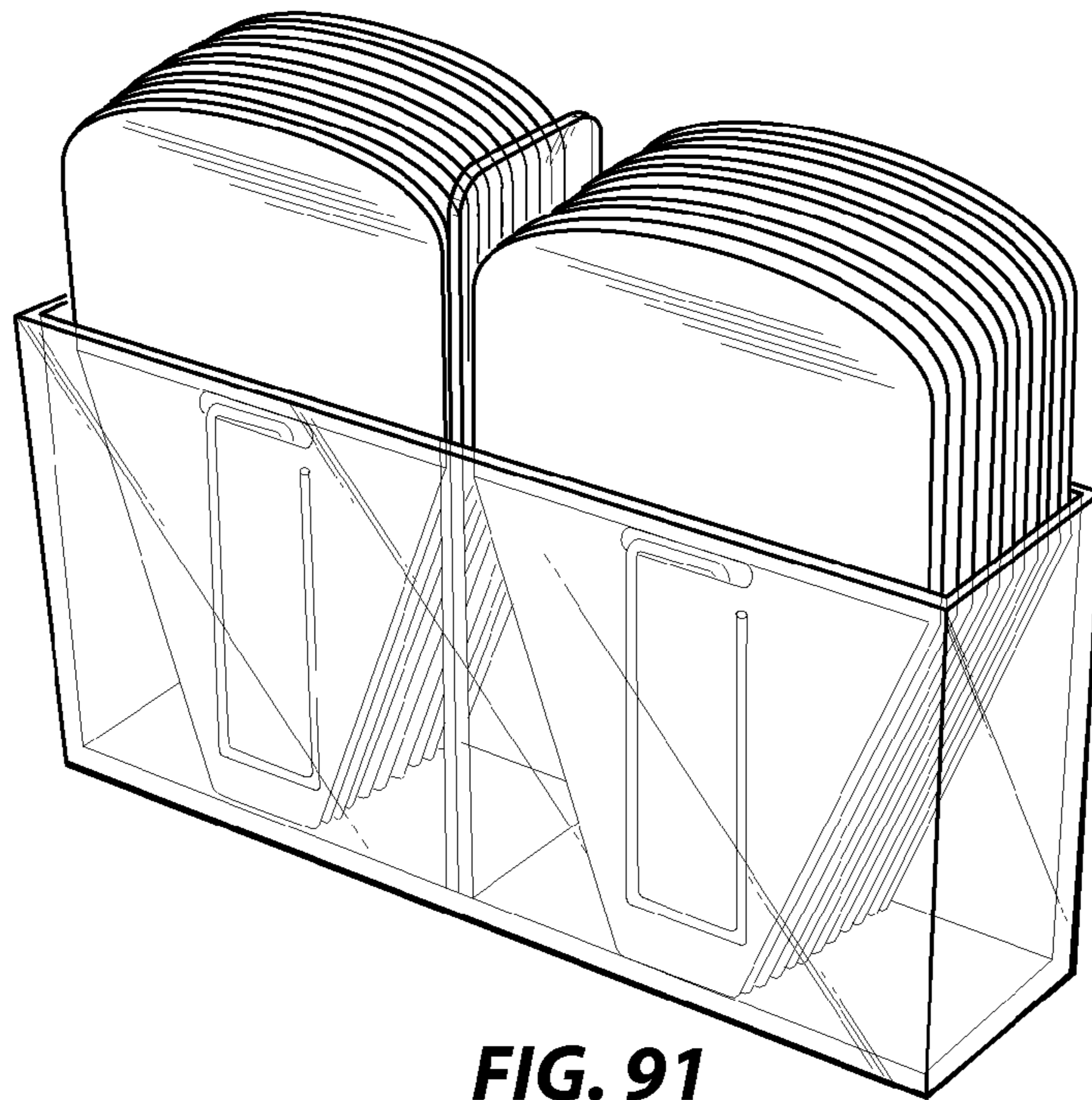




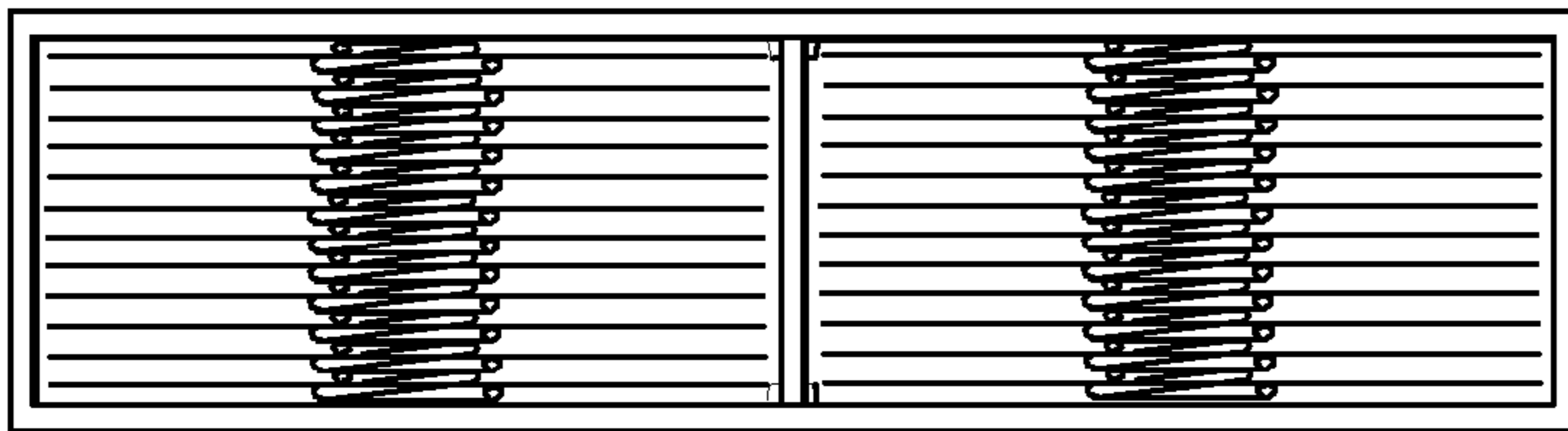
**FIG. 89**



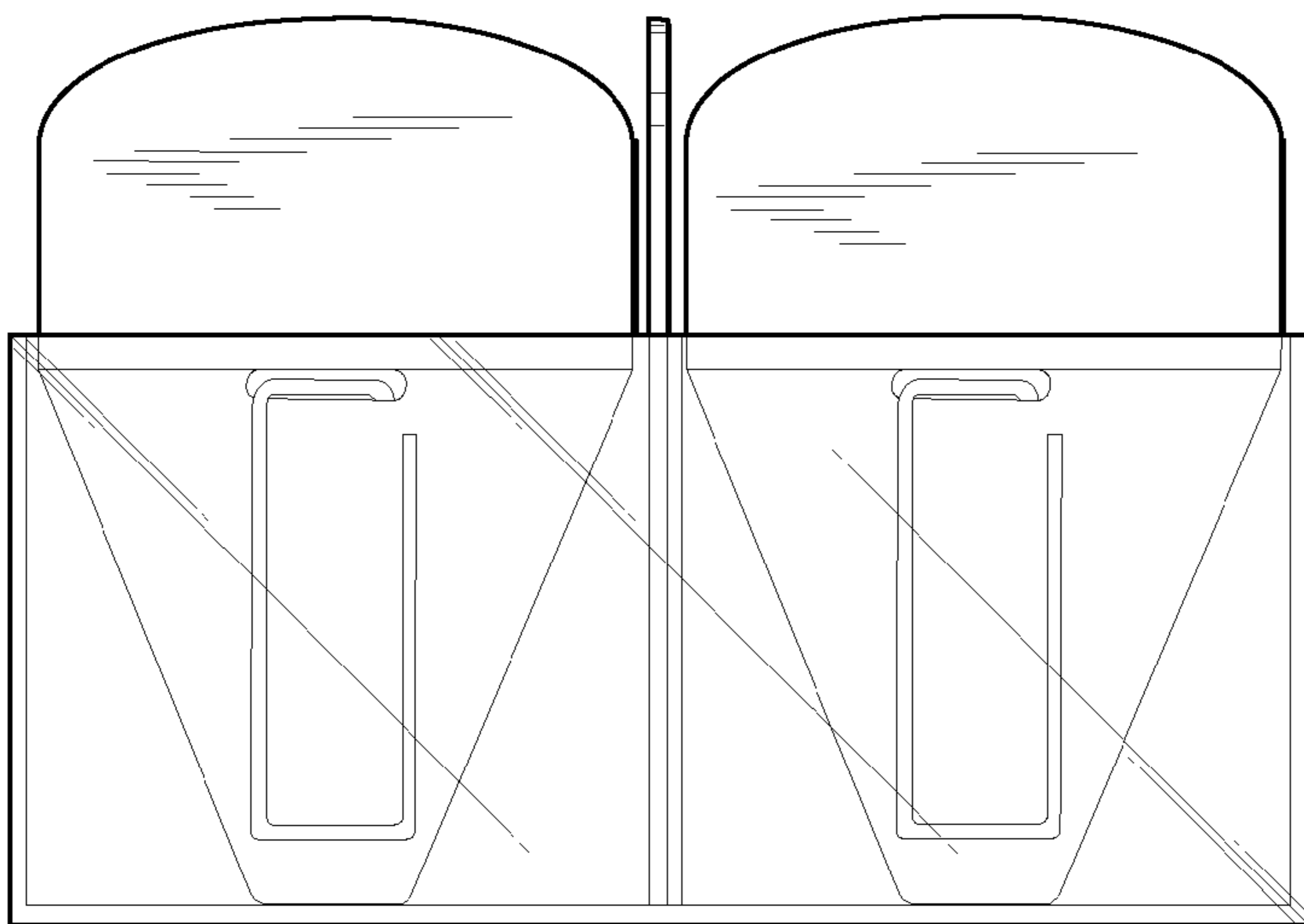
**FIG. 90**



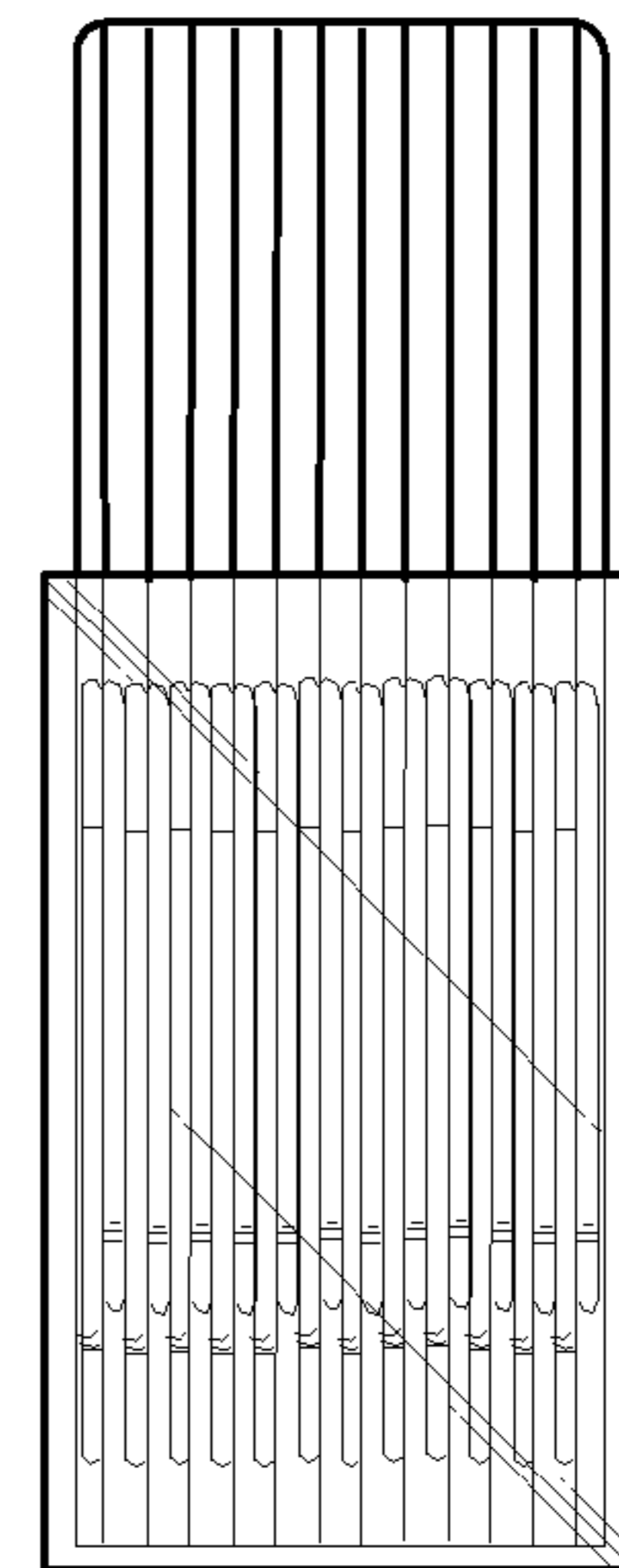
**FIG. 91**



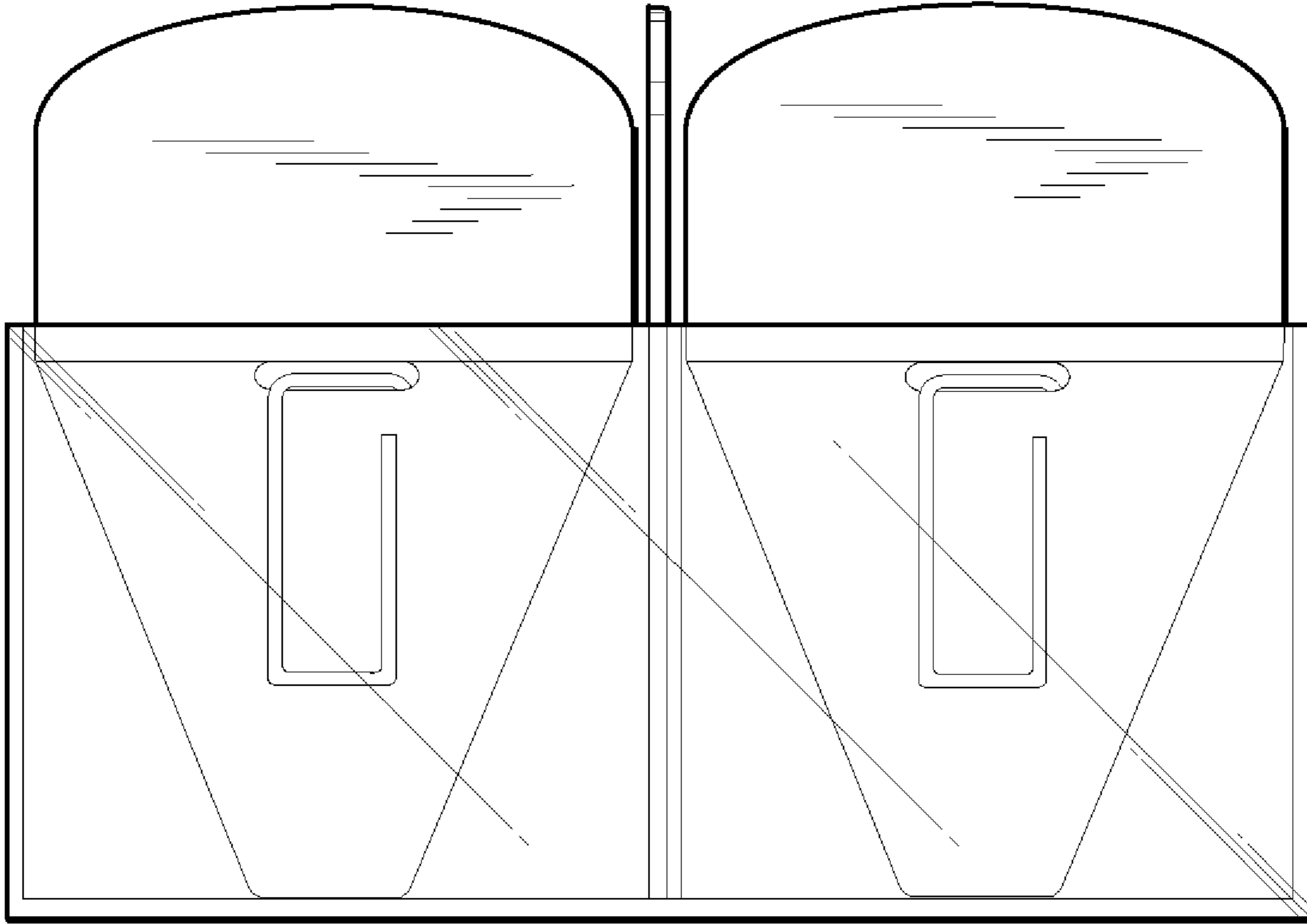
**FIG. 92**



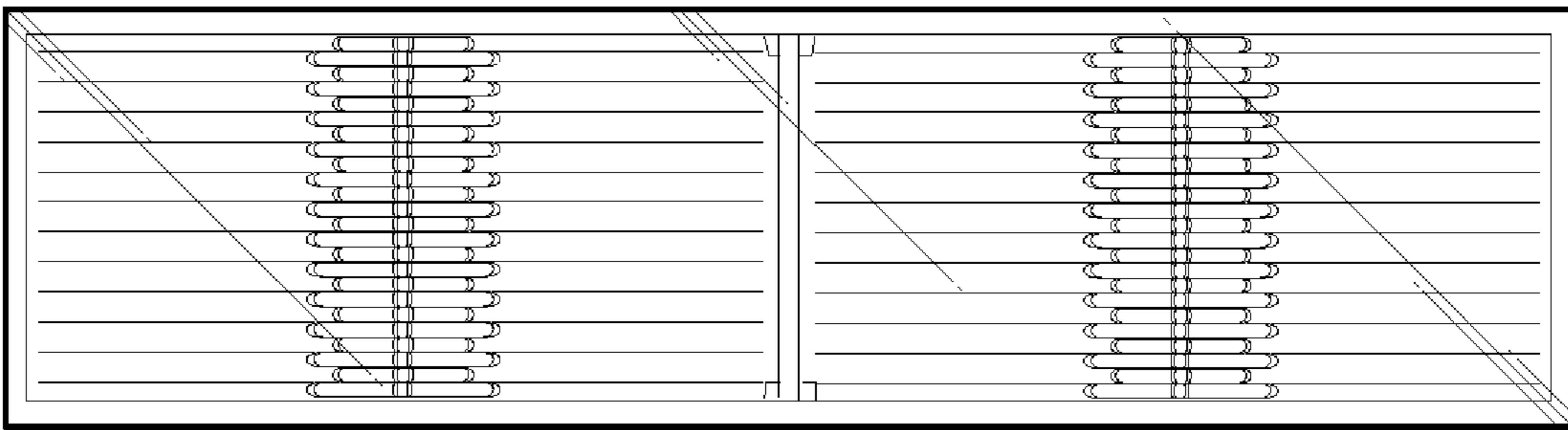
**FIG. 93**



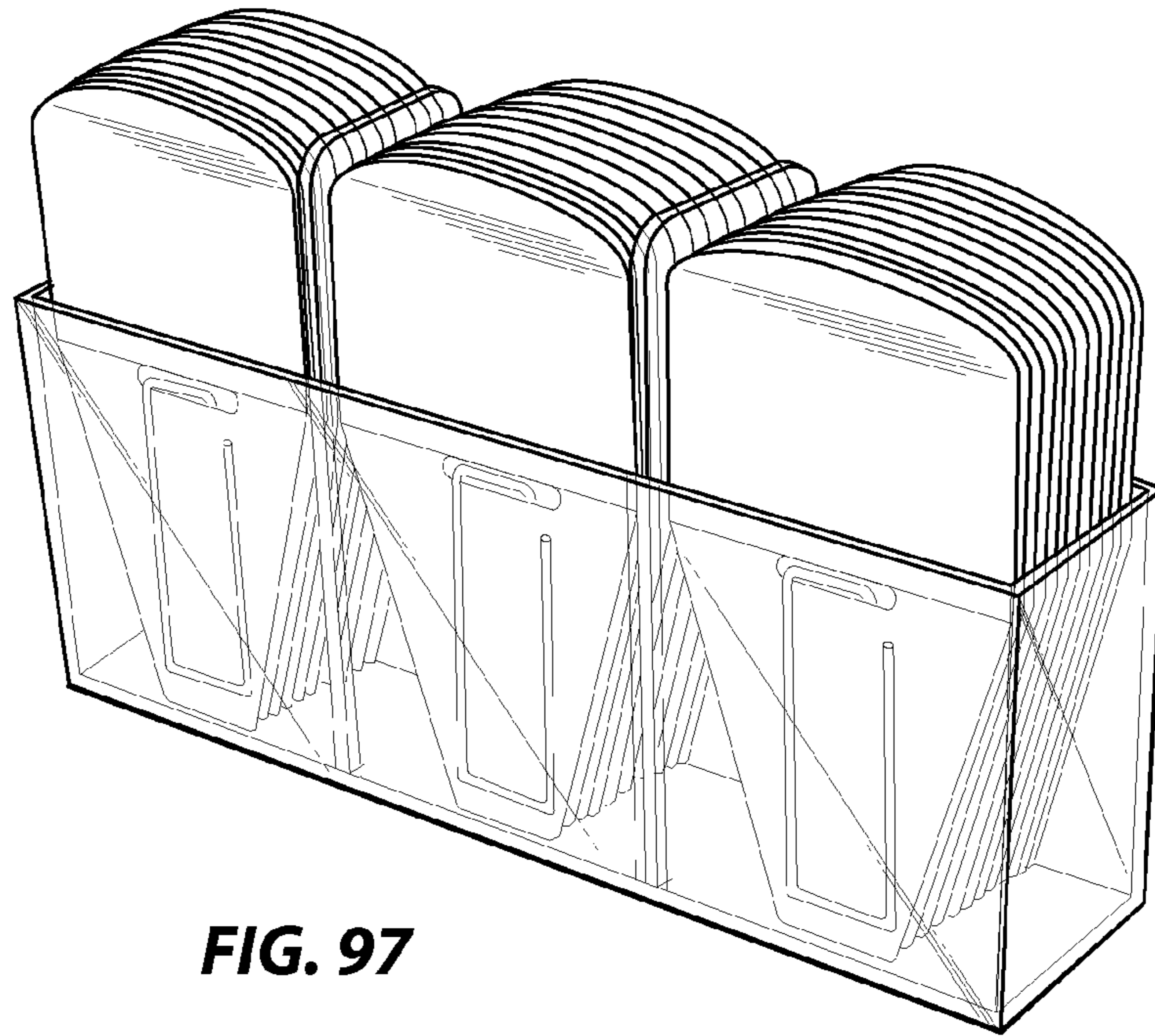
**FIG. 94**



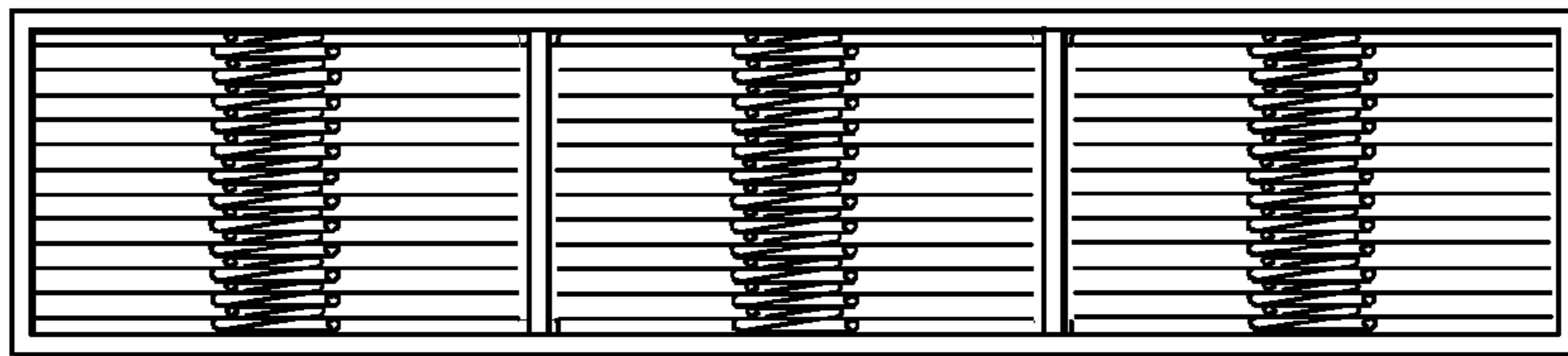
**FIG. 95**



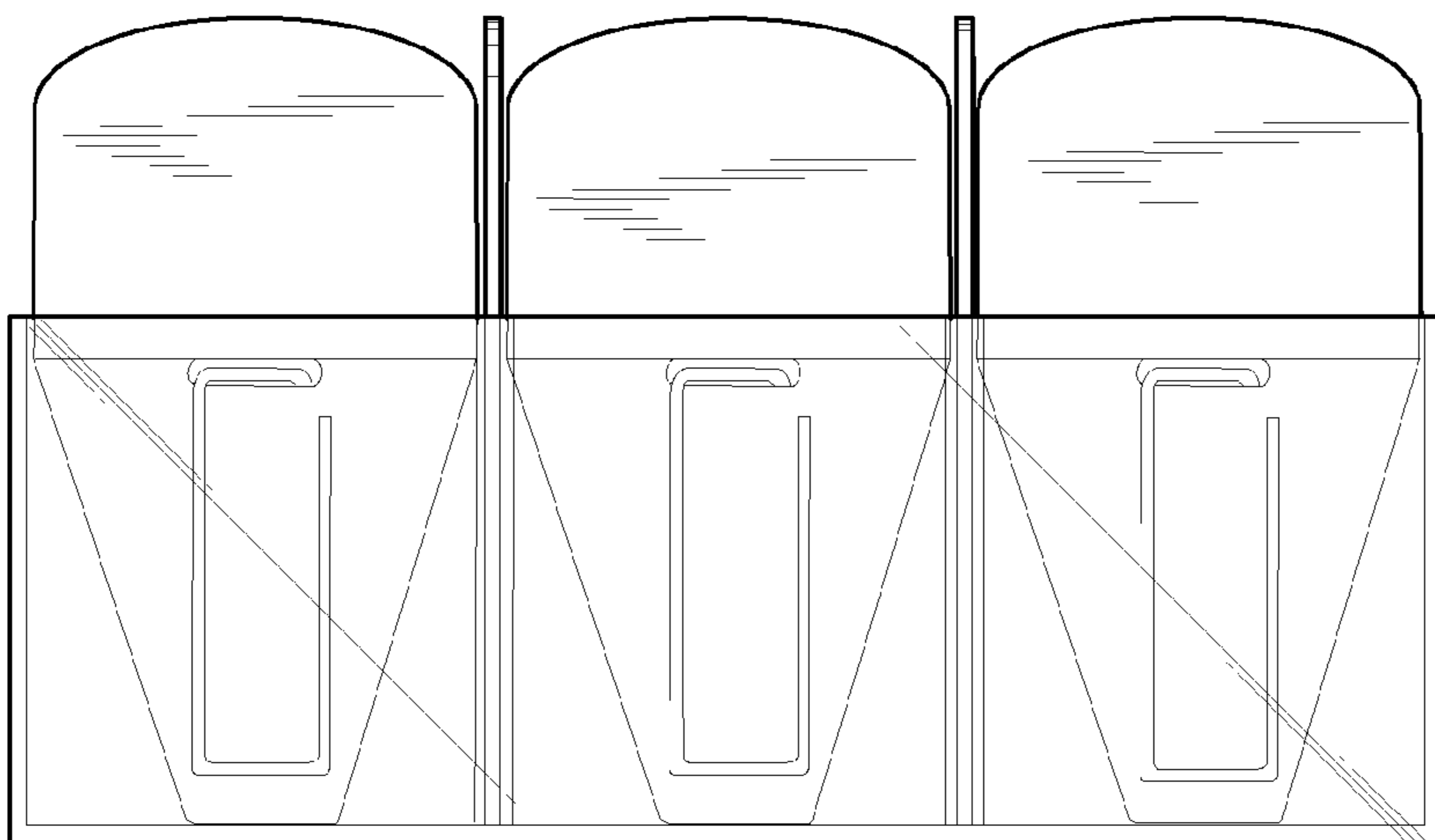
**FIG. 96**



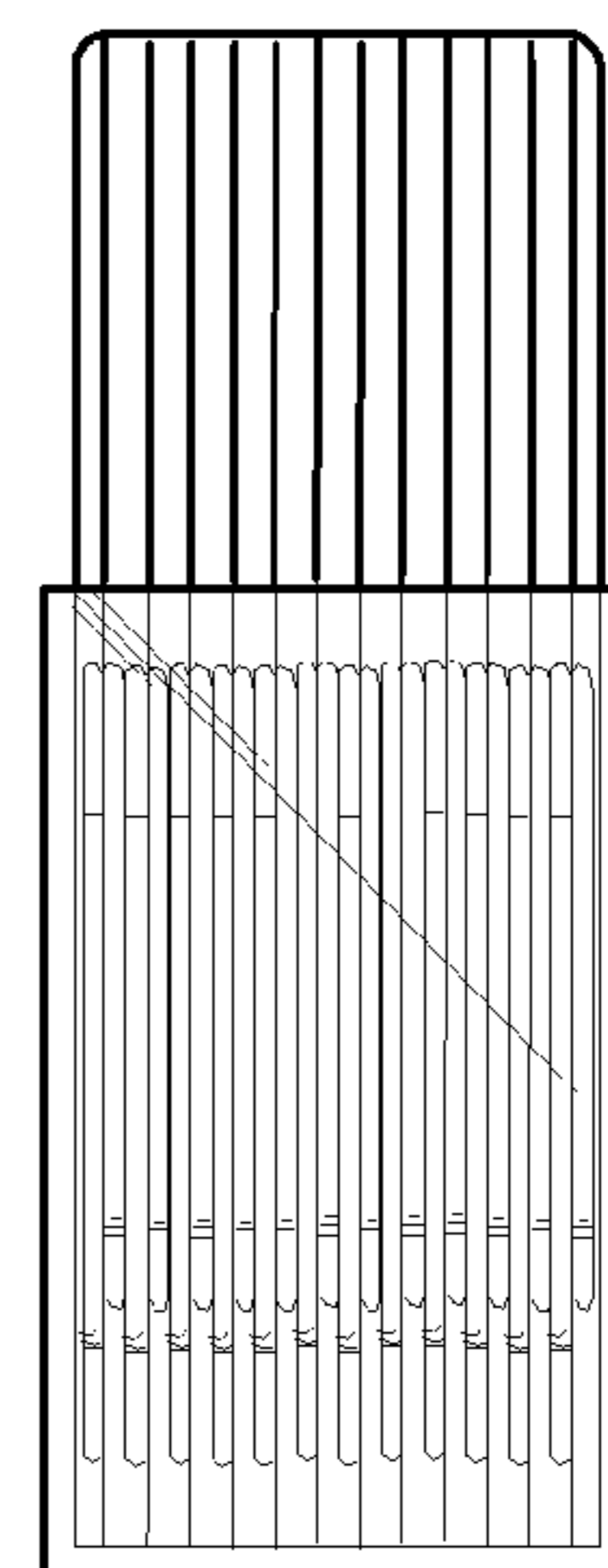
**FIG. 97**



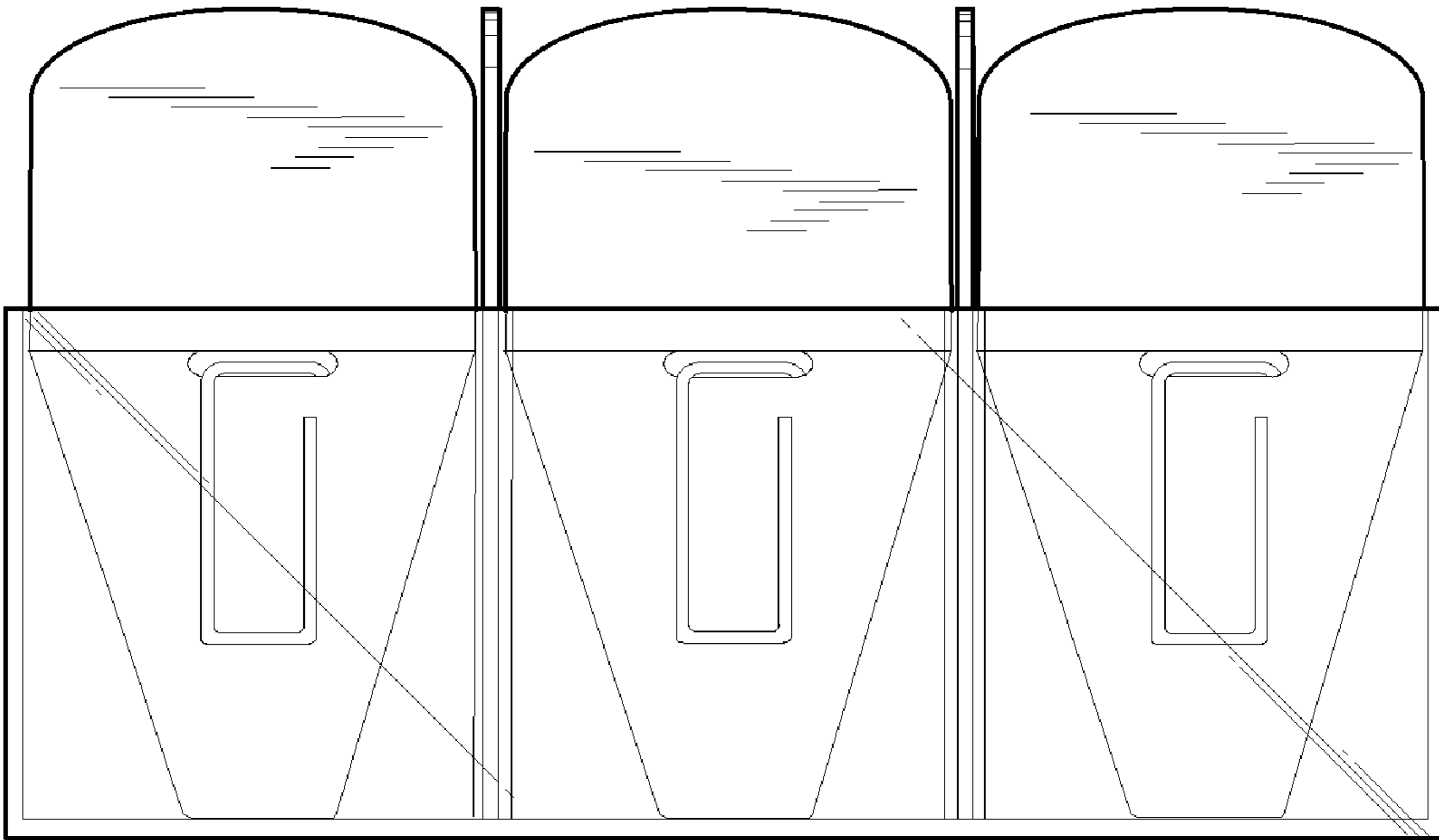
**FIG. 98**



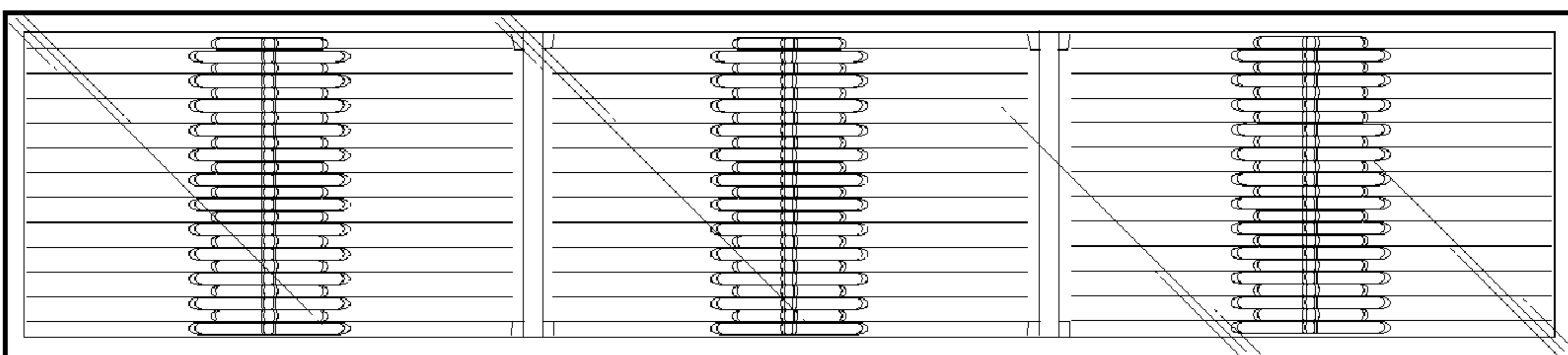
**FIG. 99**



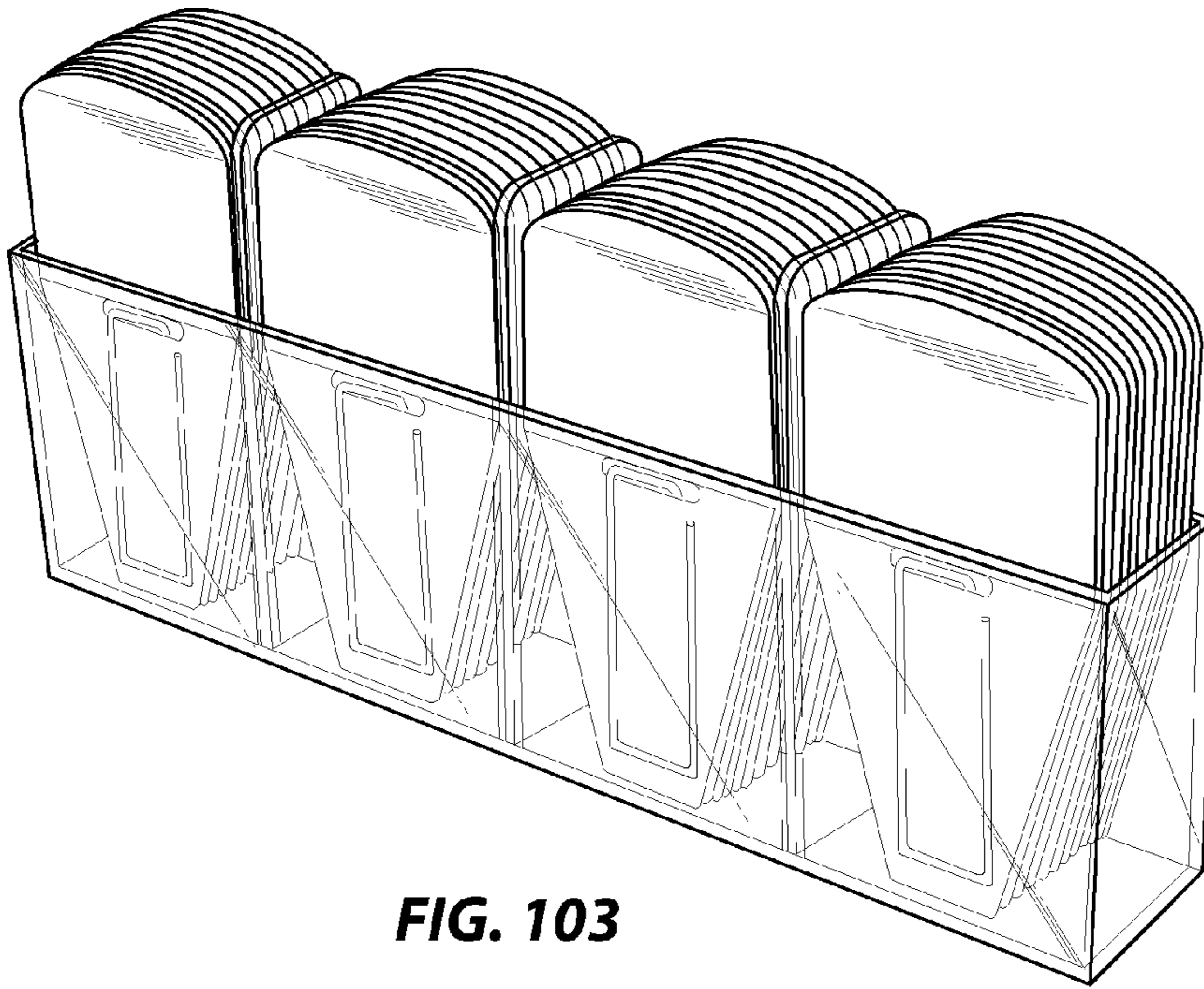
**FIG. 100**



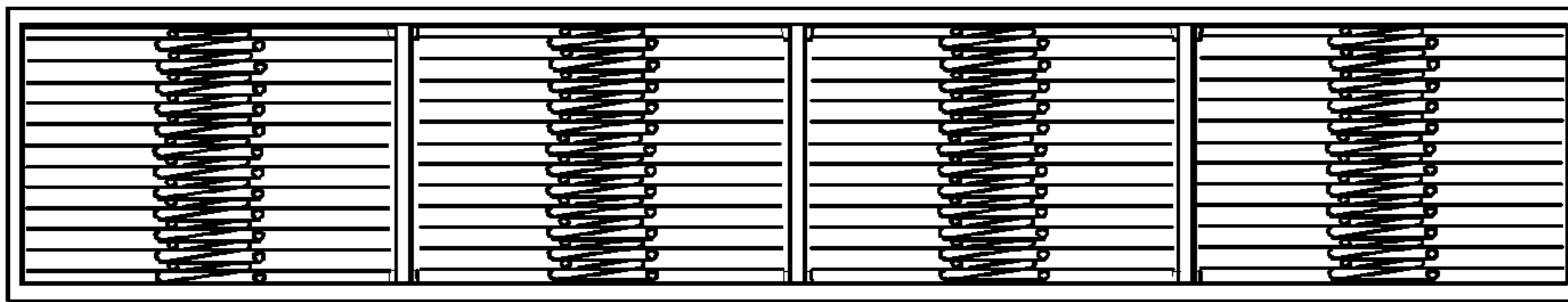
**FIG. 101**



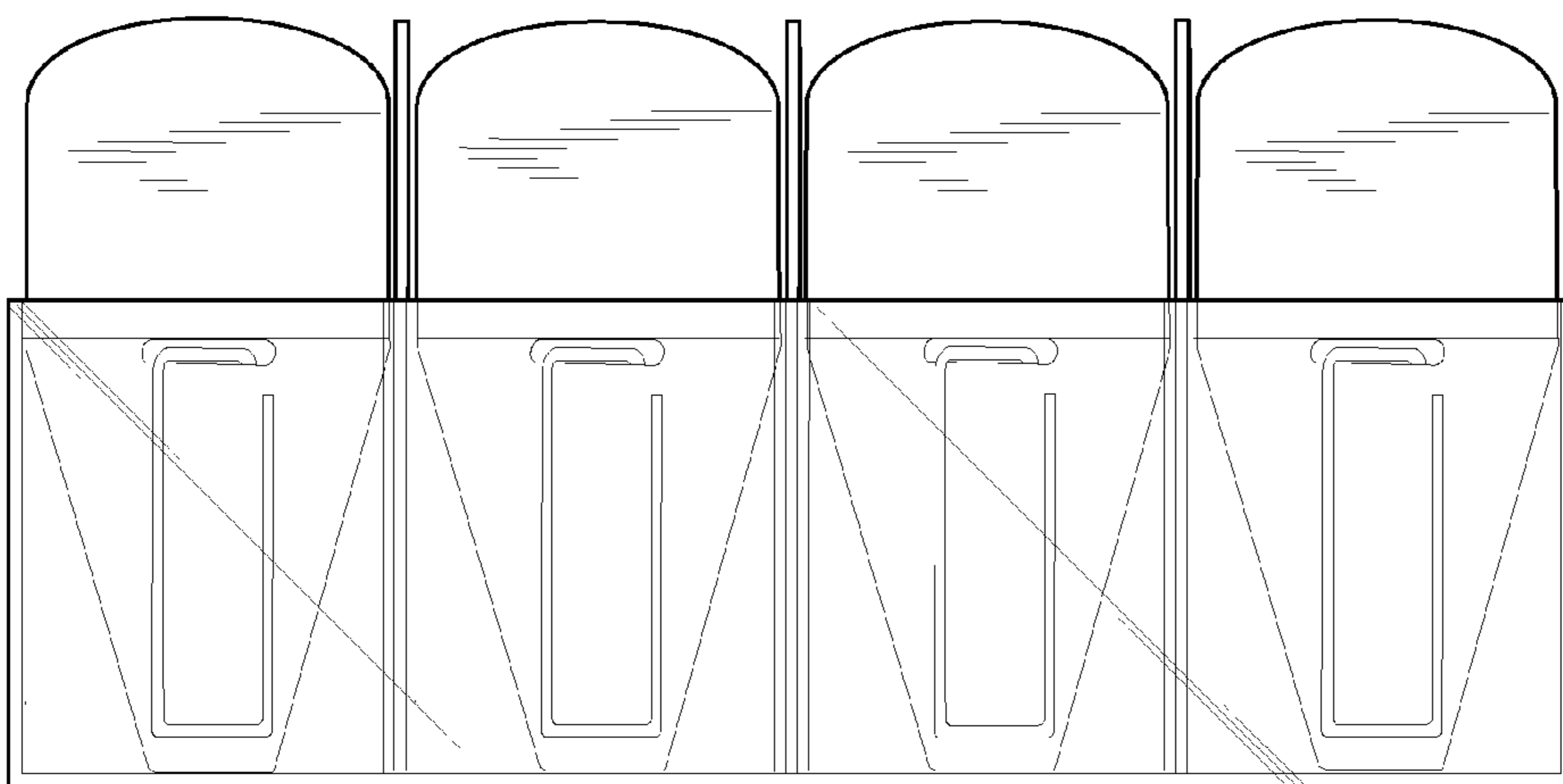
**FIG. 102**



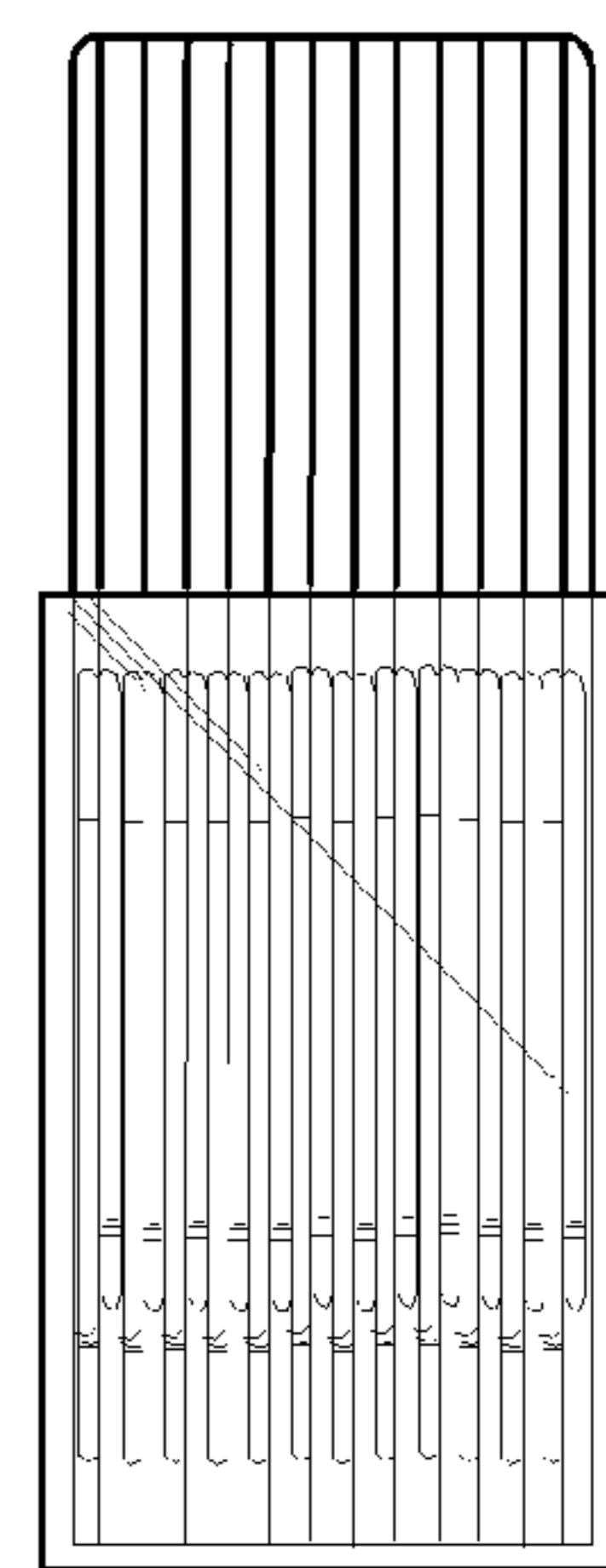
**FIG. 103**



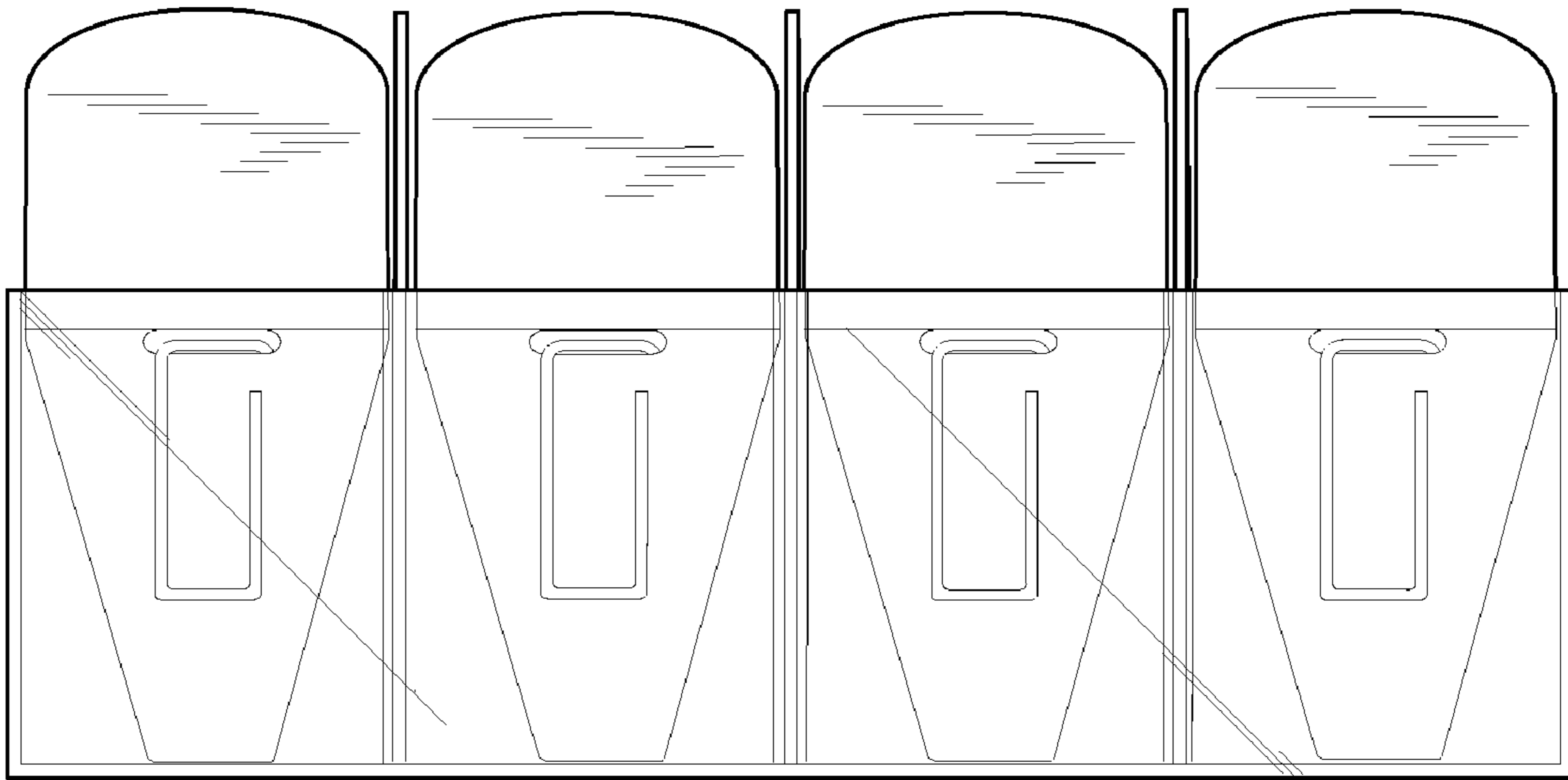
**FIG. 104**



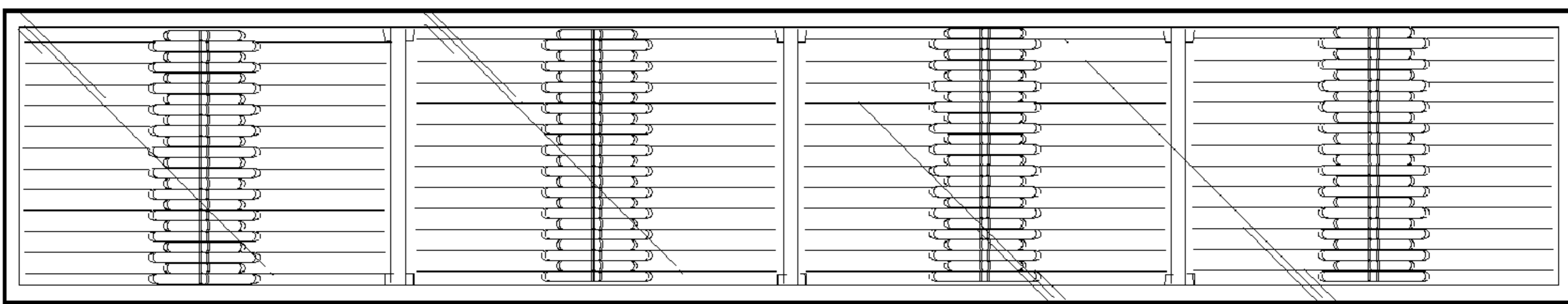
**FIG. 105**



**FIG. 106**



**FIG. 107**



**FIG. 108**