



US00D594901S

(12) **United States Design Patent**
Laidlaw et al.

(10) **Patent No.:** **US D594,901 S**

(45) **Date of Patent:** **** Jun. 23, 2009**

(54) **PRINTER STAND**

D454,153 S * 3/2002 Ogawa et al. D18/40
D537,474 S * 2/2007 Takahashi et al. D18/44
D580,483 S * 11/2008 Park et al. D18/39

(75) Inventors: **Anthony G. Laidlaw**, Boise, ID (US);
Angelo M. La Barbera, Eagle, ID (US);
Dennis M. Terenzio, Boise, ID (US);
John L. Guenther, Aptos, CA (US)

* cited by examiner

Primary Examiner—Charles A Rademaker
Assistant Examiner—Charles D Hanson

(73) Assignee: **Hewlett-Packard Development Company, L.P.**, Houston, TX (US)

(57) **CLAIM**

(**) Term: **14 Years**

The ornamental design for a printer stand, as shown and described.

(21) Appl. No.: **29/288,416**

(22) Filed: **Jun. 11, 2007**

DESCRIPTION

(51) **LOC (9) Cl.** **18-01**

FIG. 1 is a front perspective view of a printer stand showing our new design;

(52) **U.S. Cl.** **D18/59**

FIG. 2 is a rear perspective view thereof;

(58) **Field of Classification Search** D18/34.1,

FIG. 3 is a front elevational view thereof;

D18/34.2, 36-41, 53, 35.1, 51, 59; D14/302,

FIG. 4 is a rear elevational view thereof;

D14/305; 399/1-7, 16, 75, 81, 107, 130,

FIG. 5 is a right elevational view thereof;

399/151, 361, 365, 367, 381-383, 388

FIG. 6 is a left elevational view thereof; and,

See application file for complete search history.

FIG. 7 is a top plan view thereof.

(56) **References Cited**

The bottom of the printer stand, not shown, is flat and devoid of surface ornamentation, and forms no part of the claimed design.

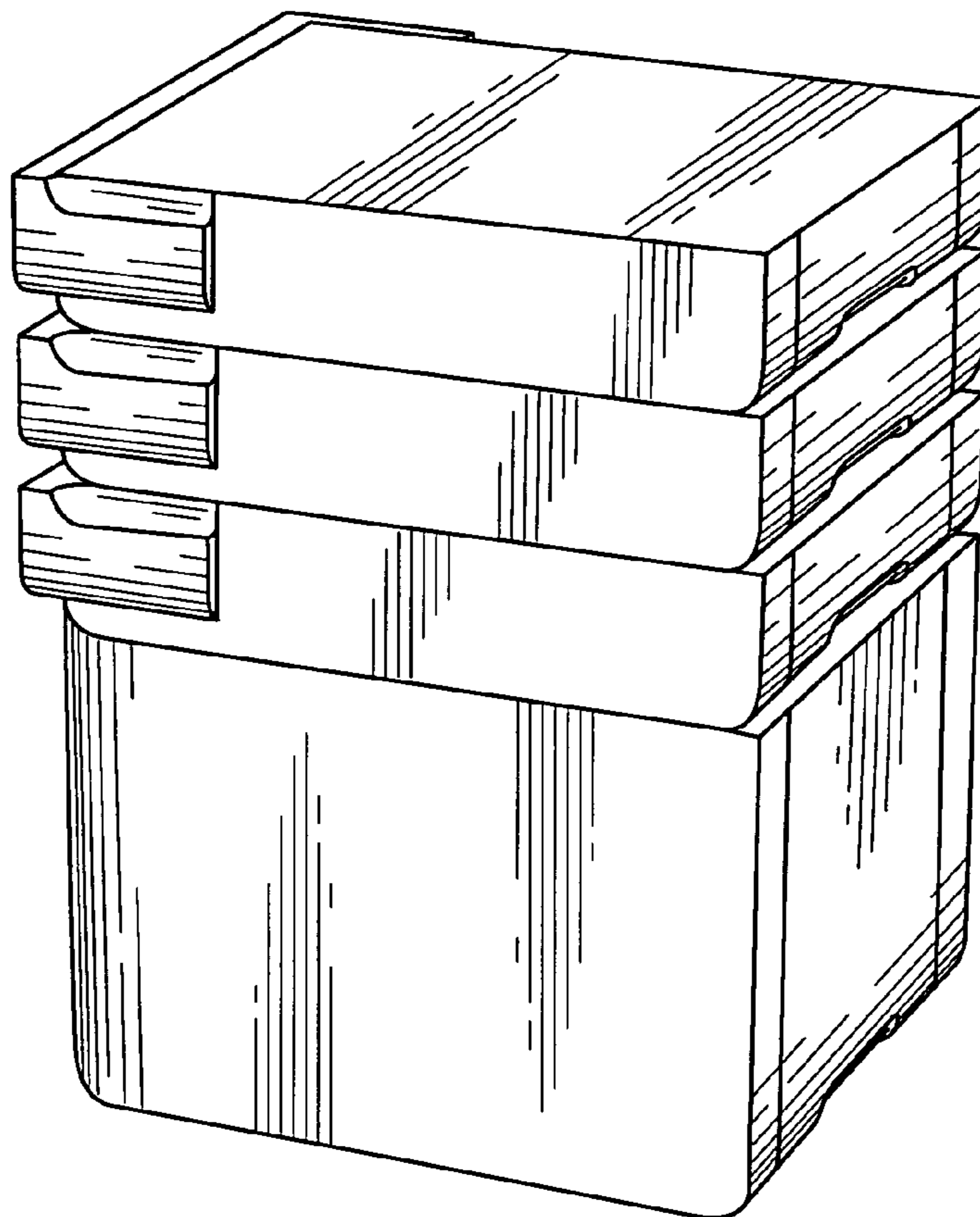
U.S. PATENT DOCUMENTS

D378,925 S * 4/1997 Komatsu D18/38

D436,370 S * 1/2001 Agata et al. D18/39

D443,887 S * 6/2001 Ogawa et al. D18/39

1 Claim, 7 Drawing Sheets



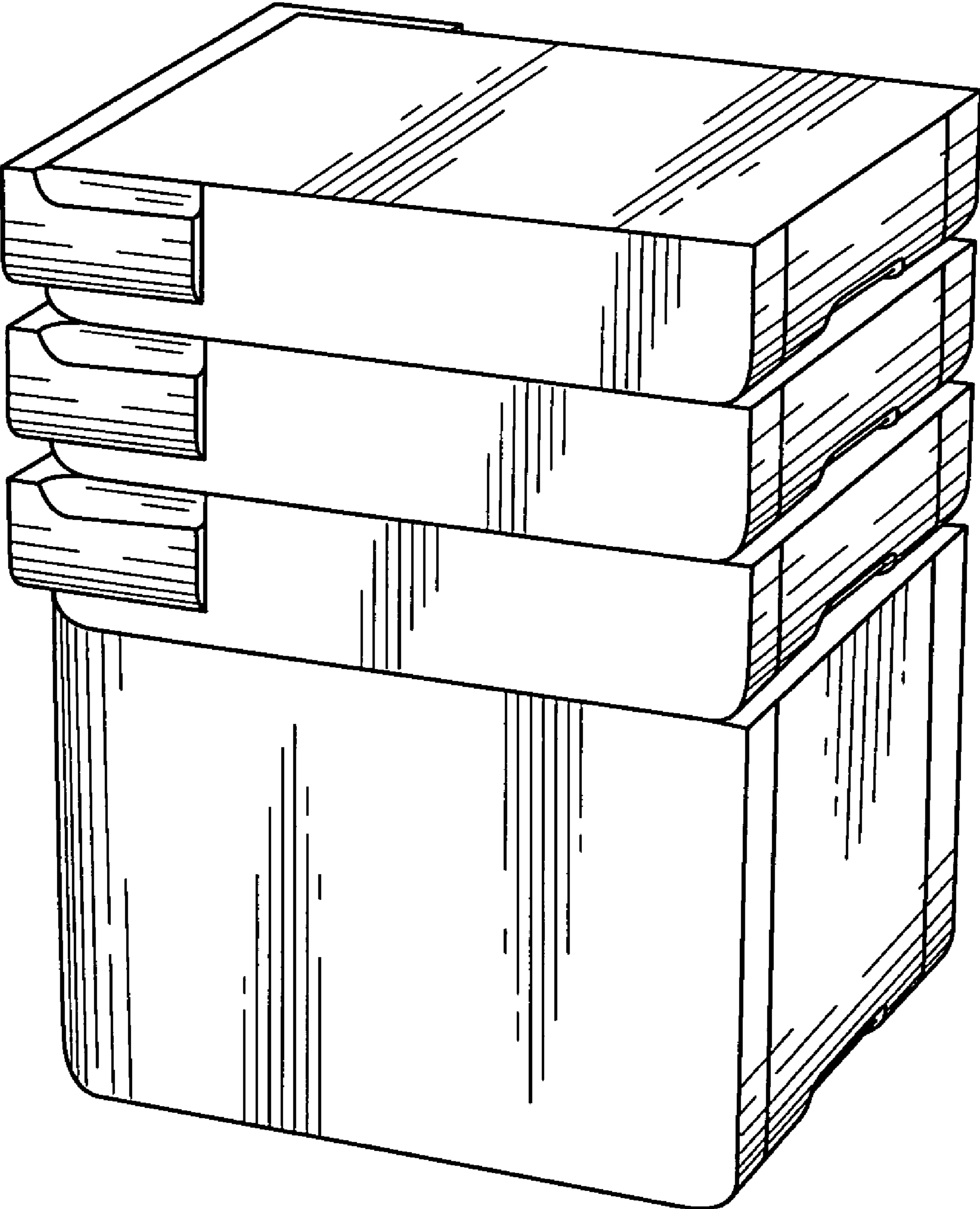


FIG. 1

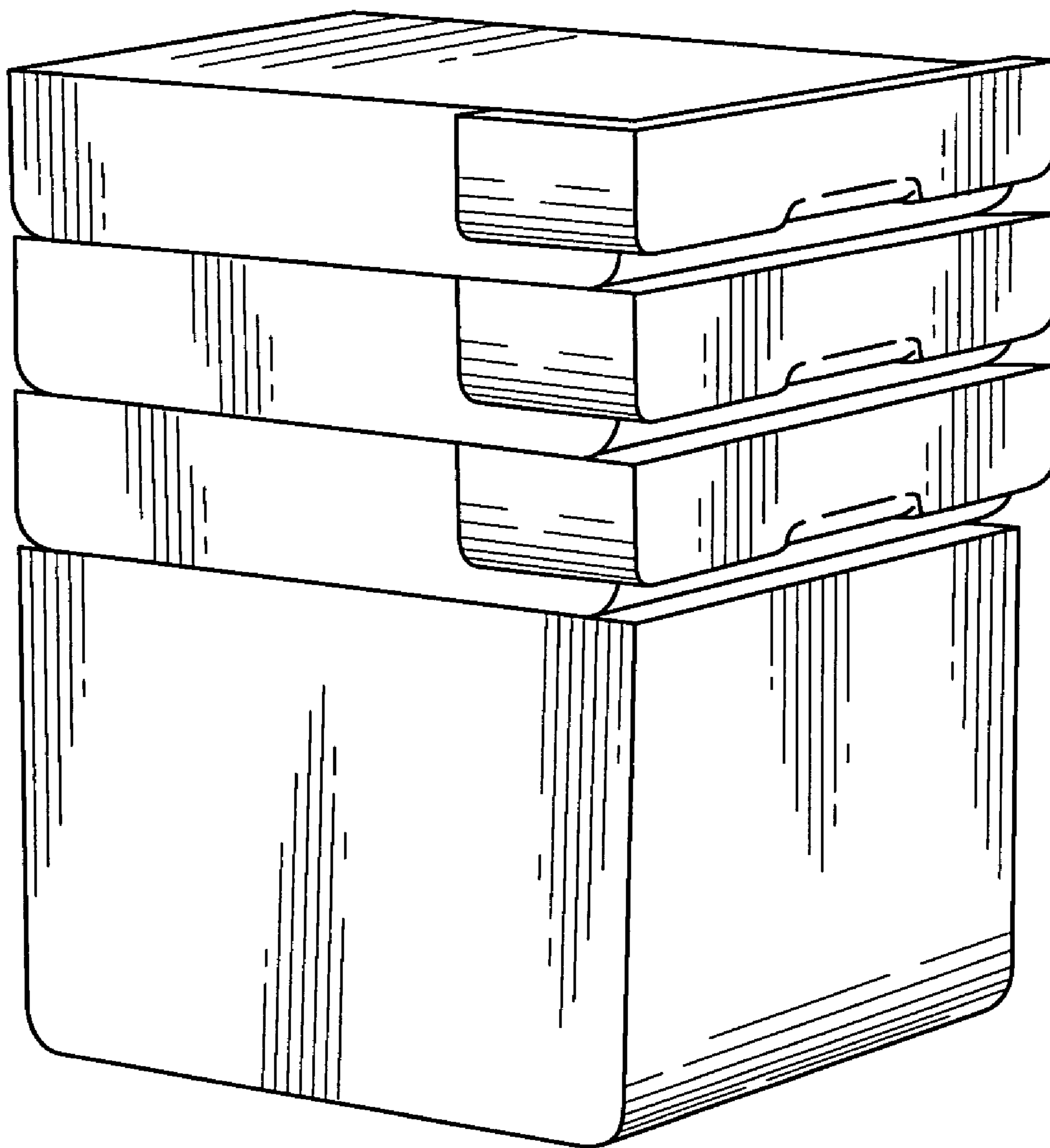


FIG. 2

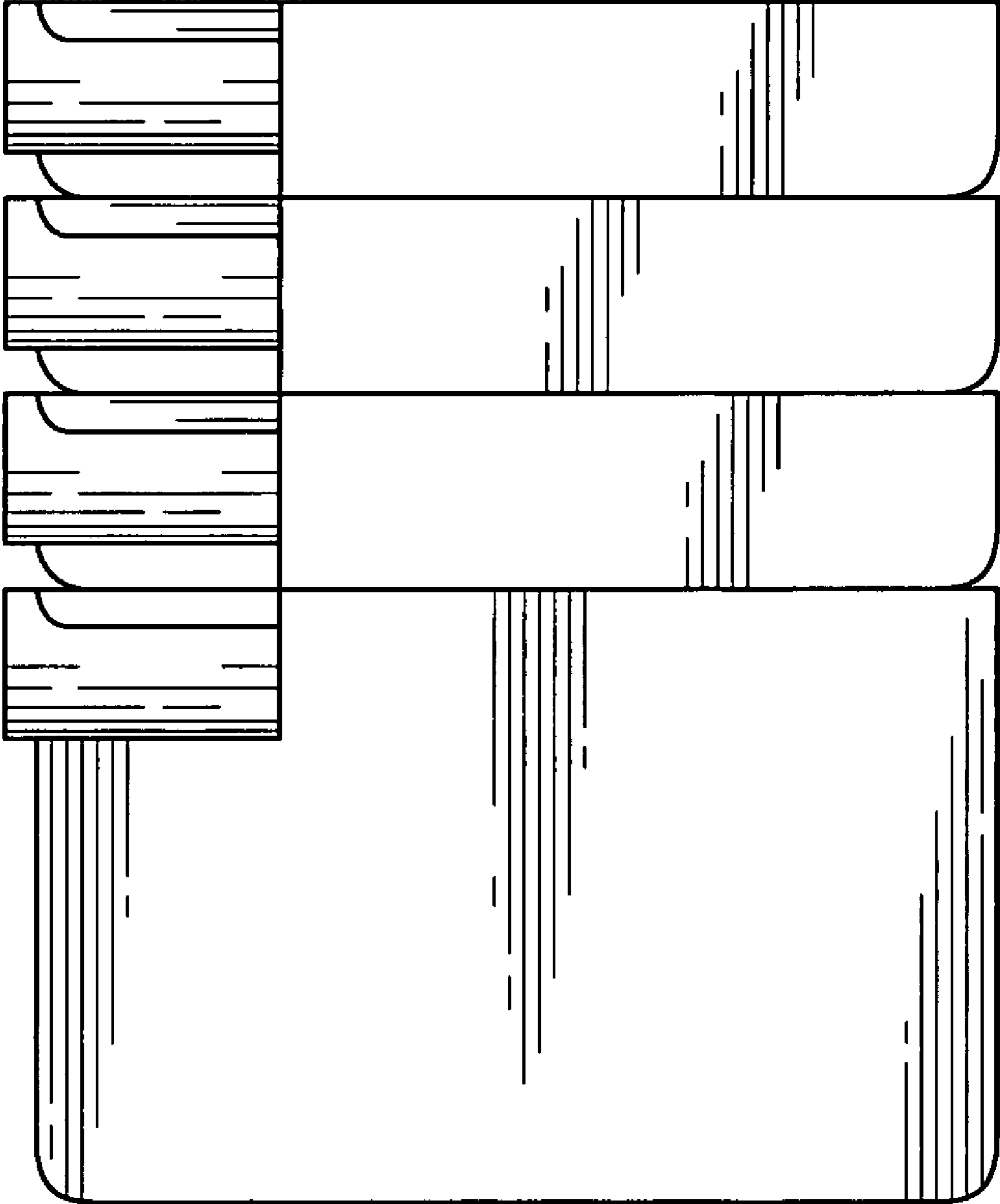


FIG. 3

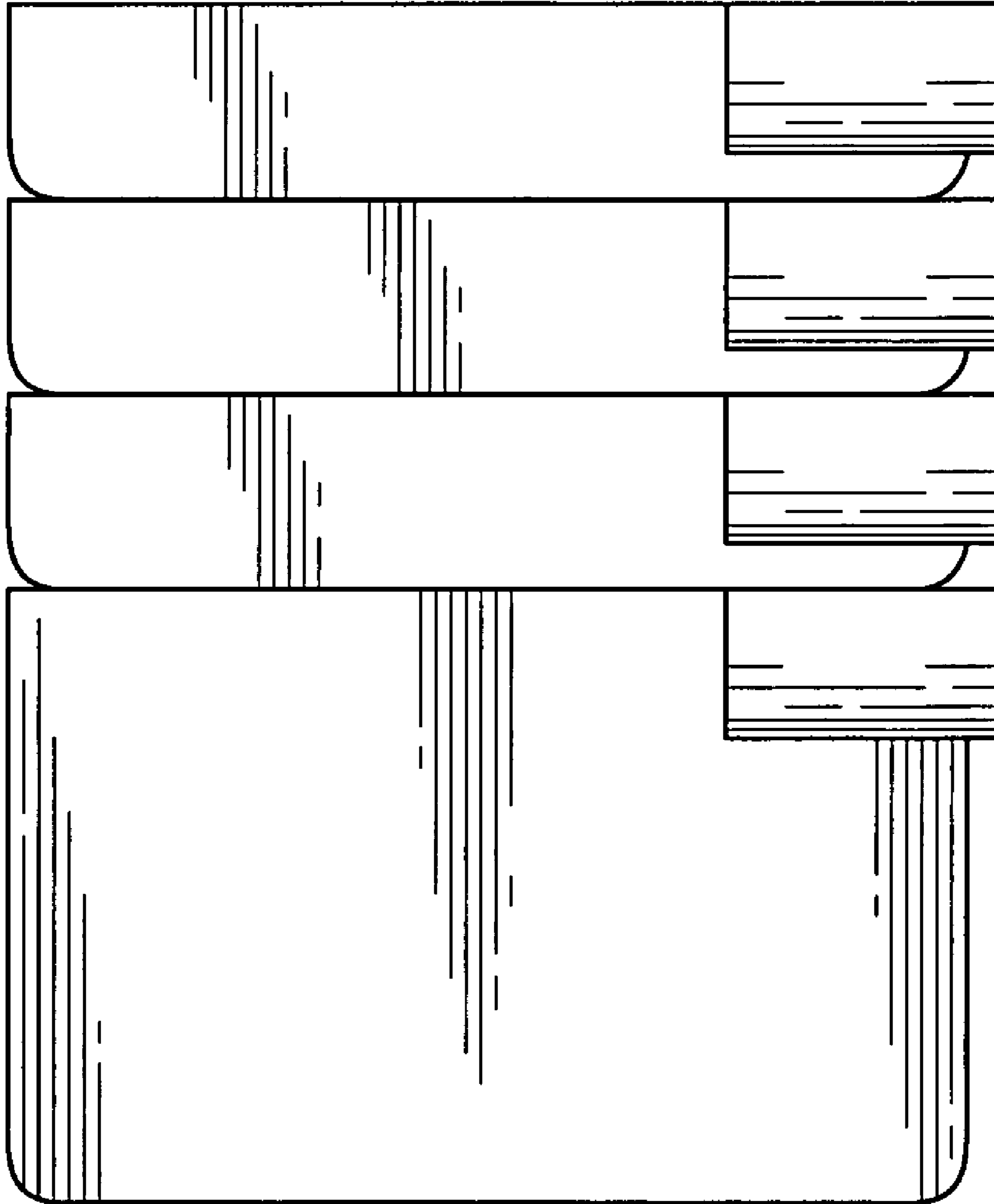


FIG. 4

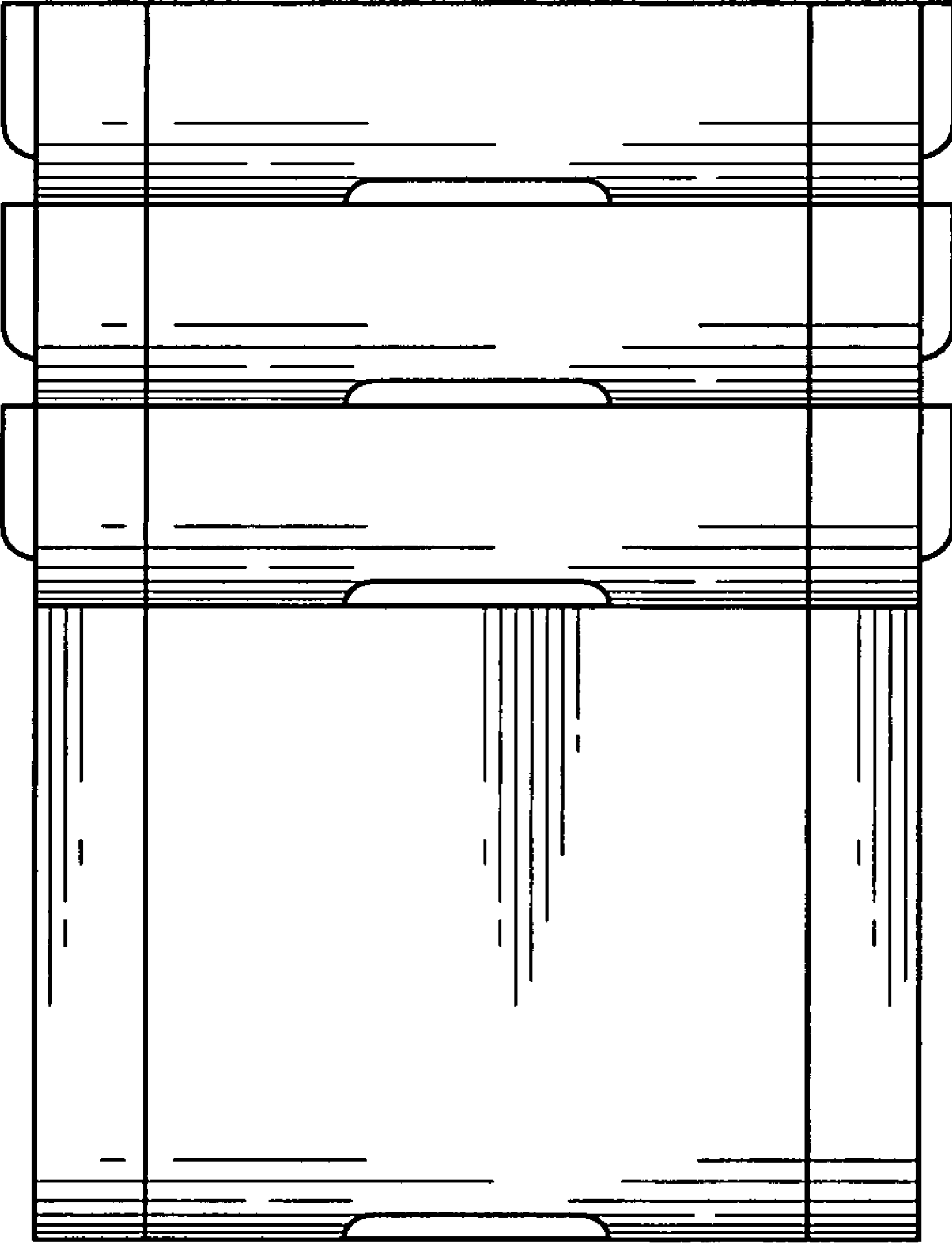


FIG. 5

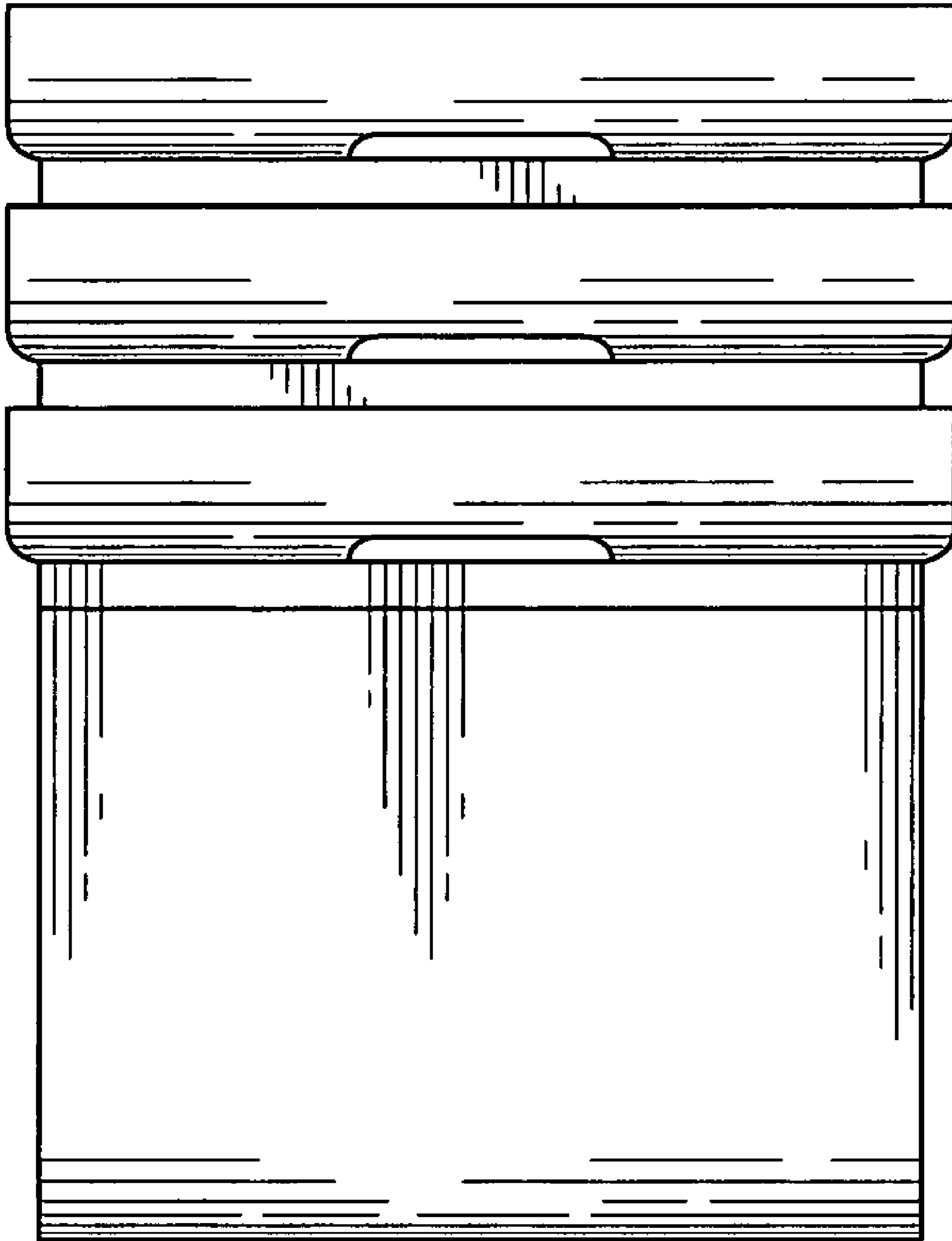


FIG. 6

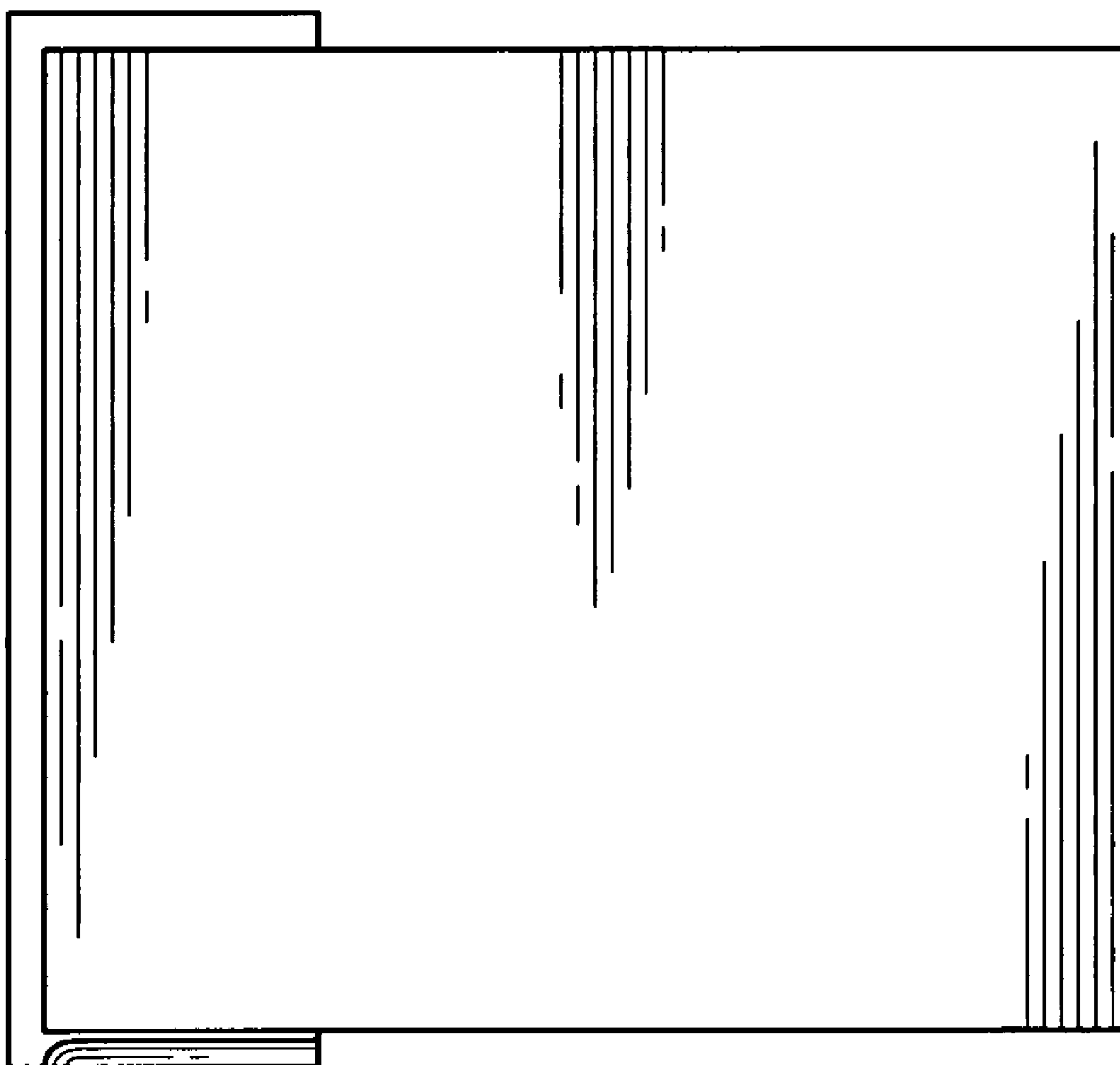


FIG. 7