



US00D594900S

(12) **United States Design Patent**
Ogasawara et al.

(10) **Patent No.:** **US D594,900 S**
(45) **Date of Patent:** **** Jun. 23, 2009**

(54) **PHOTOSENSITIVE DRUM UNIT**

D512,092 S 11/2005 Kobayashi et al.
D512,454 S 12/2005 Ishii et al.

(75) Inventors: **Tatsuo Ogasawara**, Kasugai (JP);
Yasuo Fukamachi, Nagoya (JP)

(73) Assignee: **Brother Industries, Ltd.**, Nagoya-shi,
Aichi-ken (JP)

(**) Term: **14 Years**

(21) Appl. No.: **29/303,525**

(22) Filed: **Feb. 11, 2008**

(30) **Foreign Application Priority Data**

Aug. 10, 2007 (JP) 2007-022070

(51) **LOC (9) Cl.** **16-03**

(52) **U.S. Cl.** **D18/43**

(58) **Field of Classification Search** D14/462,
D14/471, 474, 475; D18/12, 36, 40, 43,
D18/44, 56; 222/DIG. 1; 347/49, 197, 214,
347/222; 399/24-27, 107-112, 119, 121,
399/122, 222-224

See application file for complete search history.

(56) **References Cited**

U.S. PATENT DOCUMENTS

D422,304 S	4/2000	Suzuki et al.	
D423,559 S	4/2000	Suzuki et al.	
D442,216 S	5/2001	Kimura et al.	
D447,511 S	9/2001	Kimura et al.	
D471,228 S	3/2003	Okabe et al.	
D471,583 S *	3/2003	Okabe et al.	D18/40
D506,776 S	6/2005	Kobayashi et al.	
D507,295 S *	7/2005	Ishii et al.	D18/40
D507,296 S	7/2005	Ishii et al.	
D507,595 S	7/2005	Kobayashi et al.	
D507,596 S	7/2005	Kobayashi et al.	
D507,597 S	7/2005	Kobayashi et al.	
D507,809 S	7/2005	Kobayashi et al.	
D508,945 S	8/2005	Ishii et al.	
D509,239 S	9/2005	Ishii et al.	
D510,947 S	10/2005	Ishii et al.	
D511,542 S	11/2005	Ishii et al.	

(Continued)

OTHER PUBLICATIONS

Co-pending U.S. Appl. No. 29/197,016, filed Jan. 8, 2004.
Co-pending U.S. Appl. No. 29/197,021, filed Jan. 8, 2004.
Co-pending U.S. Appl. No. 29/222,088, filed Jan. 27, 2005.
Co-pending U.S. Appl. No. 29/276,992, filed Feb. 9, 2007.
Co-pending U.S. Appl. No. 29/276,993, filed Feb. 9, 2007.
Co-pending U.S. Appl. No. 29/276,991, filed Feb. 9, 2007.

(Continued)

Primary Examiner—Caron Veynar
Assistant Examiner—Garth Rademaker
(74) *Attorney, Agent, or Firm*—Banner and Witcoff, Ltd.

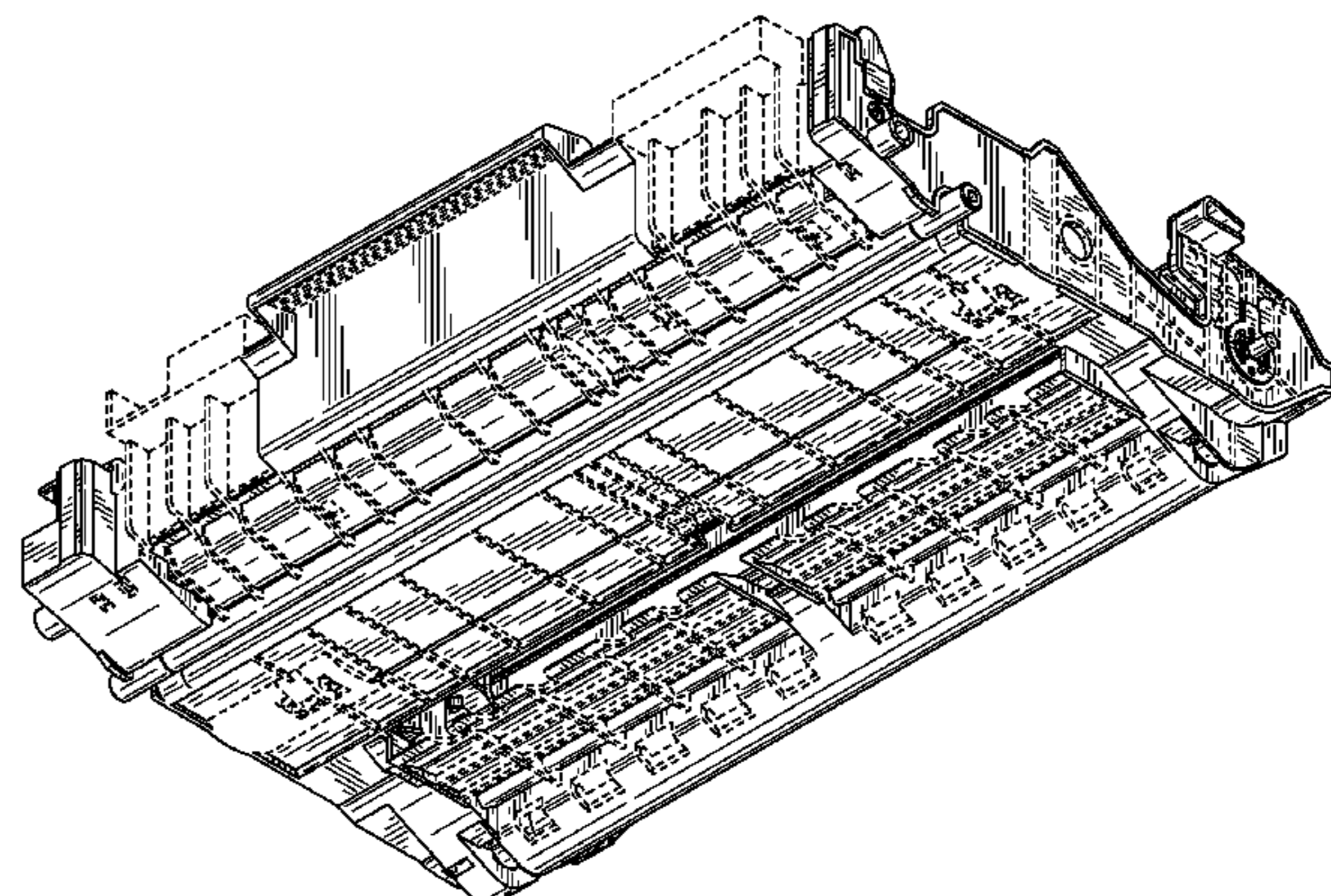
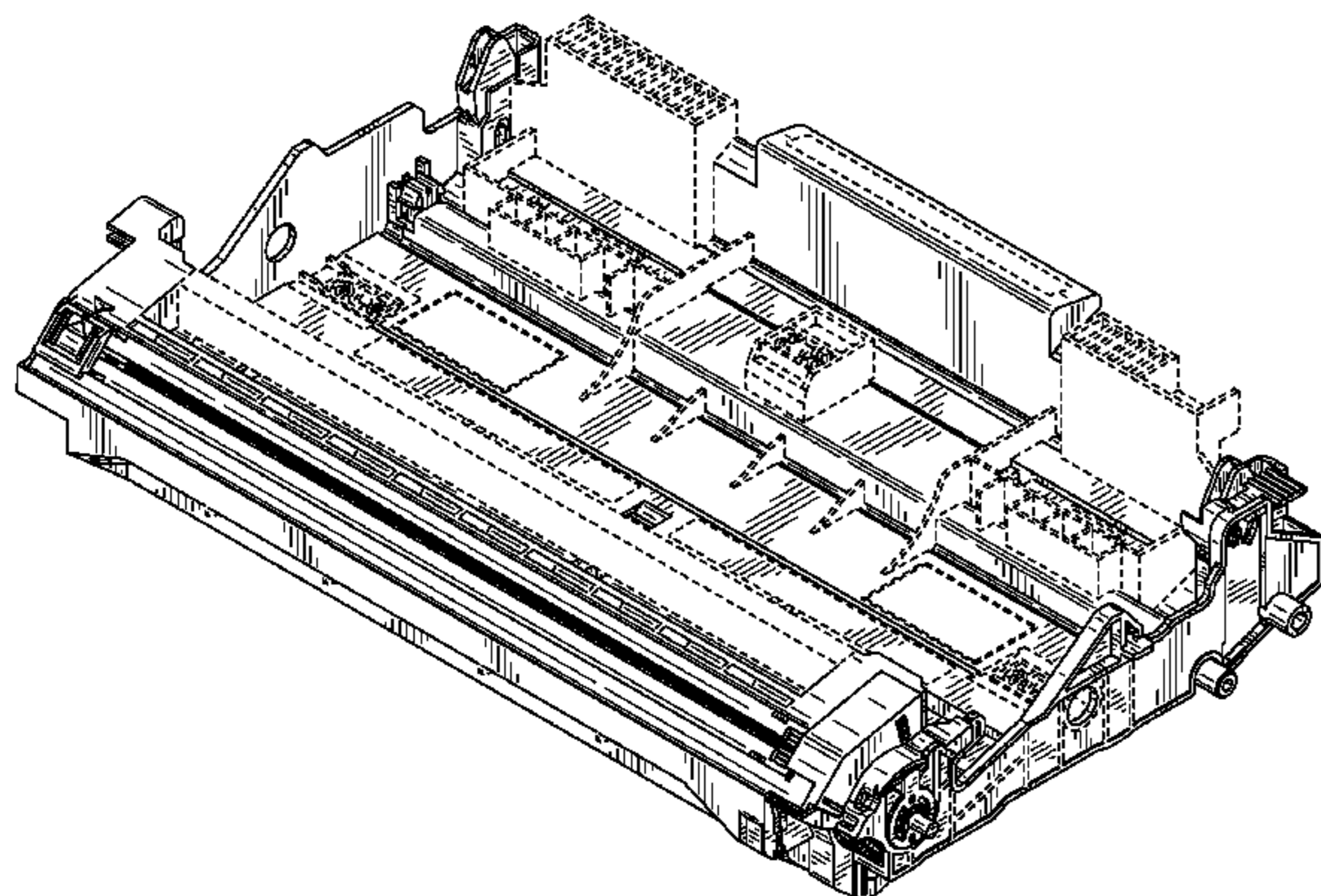
(57) **CLAIM**

The ornamental design for a photosensitive drum unit, as shown and described.

DESCRIPTION

FIG. 1 is a front elevational view of a photosensitive drum unit showing our new design;
FIG. 2 is a top plan view thereof;
FIG. 3 is a right side elevational view thereof;
FIG. 4 is a left side elevational view thereof;
FIG. 5 is a rear elevational view thereof;
FIG. 6 is a bottom plan view thereof;
FIG. 7 is a top perspective view thereof; and,
FIG. 8 is a bottom perspective view thereof.
The broken lines depict environment subject matter only and form no part of the claimed design.

1 Claim, 7 Drawing Sheets



US D594,900 S

Page 2

U.S. PATENT DOCUMENTS

D513,264 S * 12/2005 Hayashi D14/483
D521,545 S * 5/2006 Ishii et al. D18/40
D522,564 S 6/2006 Ishii et al.
D523,894 S 6/2006 Ishii et al.
D523,895 S * 6/2006 Ishii et al. D18/43
D523,896 S * 6/2006 Ishii et al. D18/43
D528,148 S 9/2006 Ishii et al.
D531,660 S 11/2006 Ishii et al.
D531,661 S 11/2006 Ishii et al.
D533,215 S 12/2006 Ishii et al.
D533,583 S 12/2006 Kobayashi et al.
D550,763 S * 9/2007 Ishikawa et al. D18/43
D550,764 S 9/2007 Ishikawa et al.
D550,765 S 9/2007 Ishikawa et al.

D550,766 S 9/2007 Takagi
D550,767 S 9/2007 Kishi
D551,285 S * 9/2007 Ishikawa et al. D18/43
D566,169 S 4/2008 Ishikawa et al.
2006/0275052 A1* 12/2006 Ishikawa 399/111
2007/0048008 A1* 3/2007 Kamimura 399/111

OTHER PUBLICATIONS

Co-pending U.S. Appl. No. 29/276,994, filed Feb. 9, 2007.
Co-pending U.S. Appl. No. 29/245,316, filed Dec. 22, 2005.
Co-pending U.S. Appl. No. 29/276,996, filed Feb. 9, 2007.
Co-pending U.S. Appl. No. 29/276,997, filed Feb. 9, 2007.
Co-pending U.S. Appl. No. 29/276,995, filed Feb. 9, 2007.
Co-pending U.S. Appl. No. 29/276,998, filed Feb. 9, 2007.

* cited by examiner

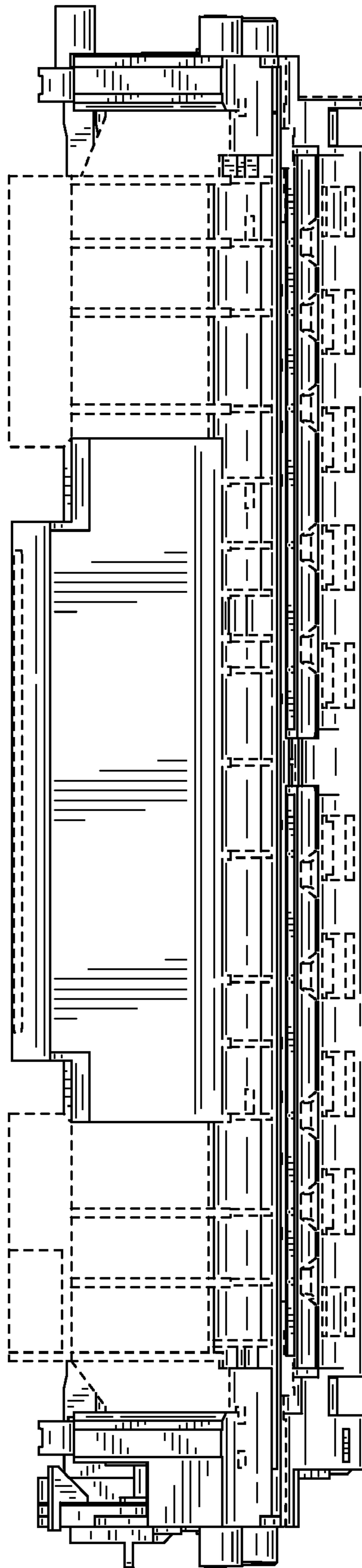


FIG. 1

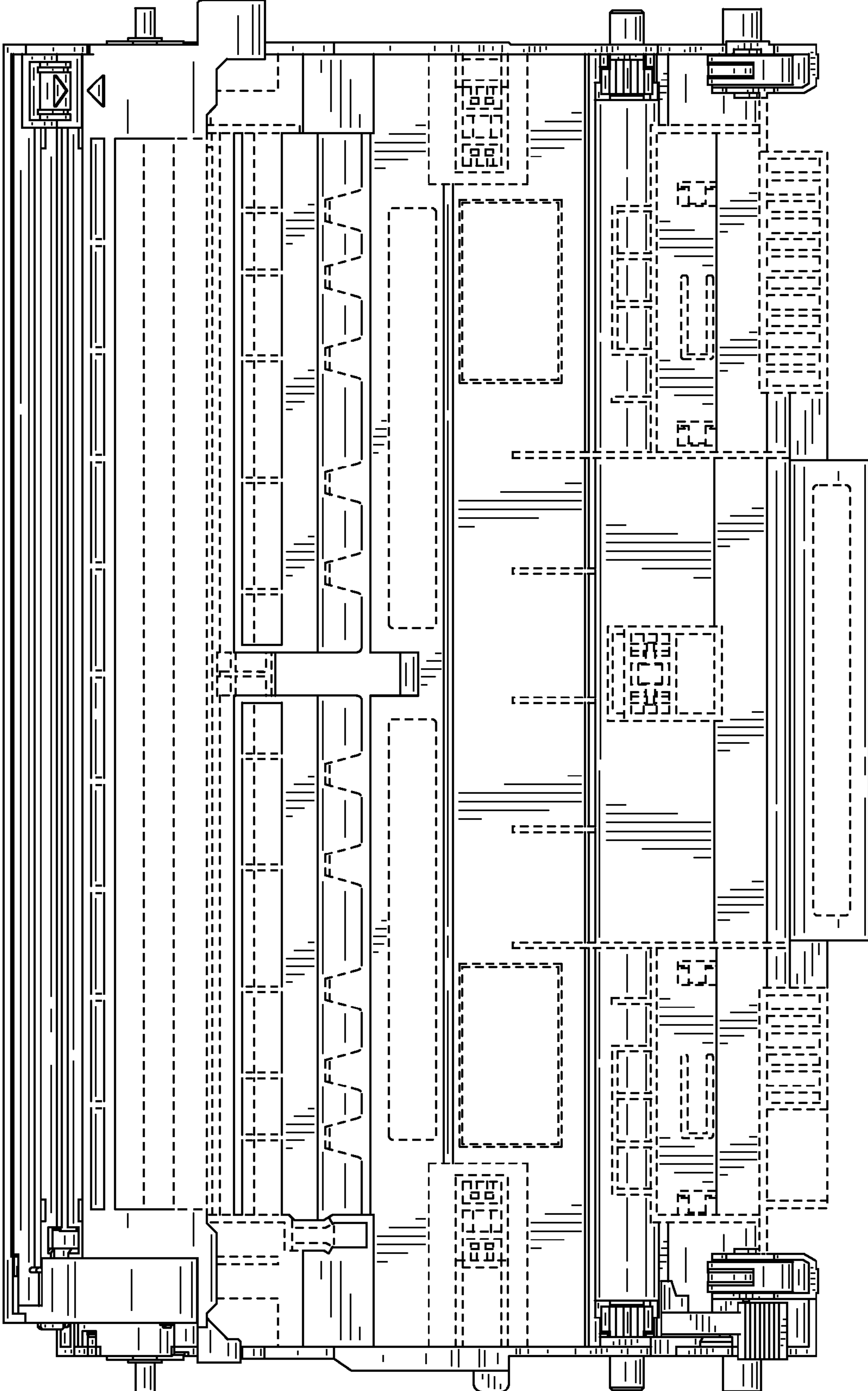


FIG. 2

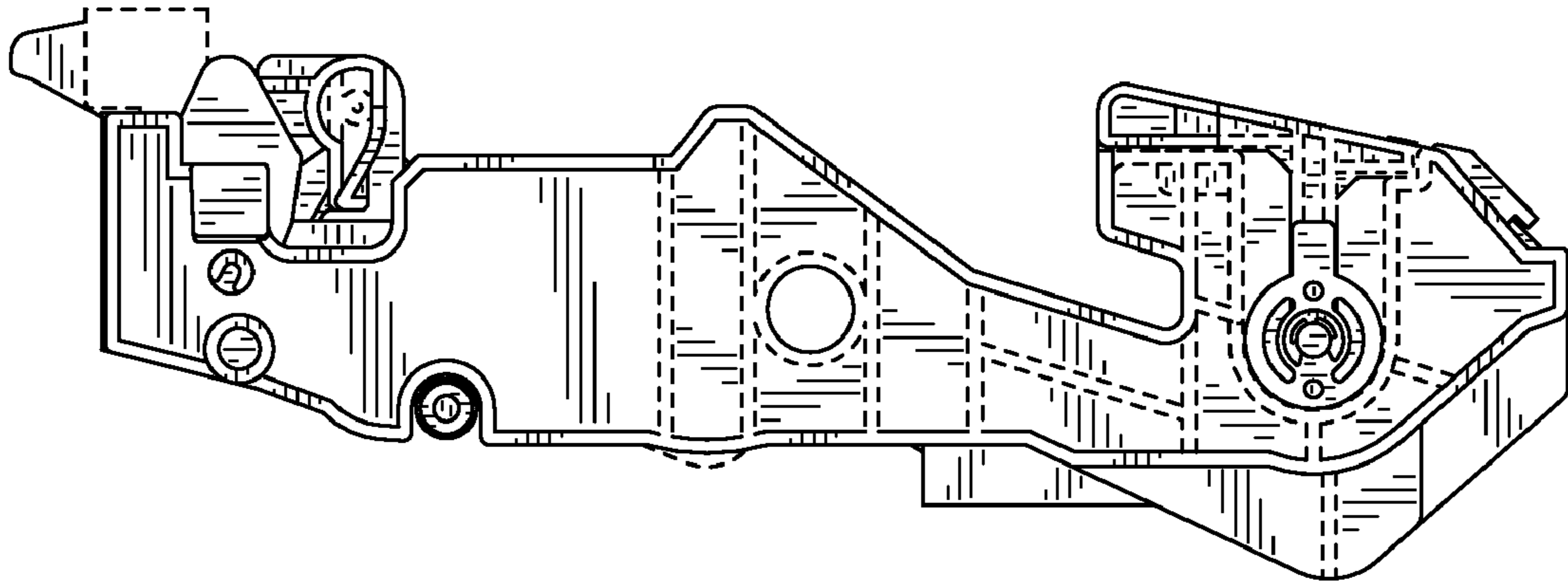


FIG. 3

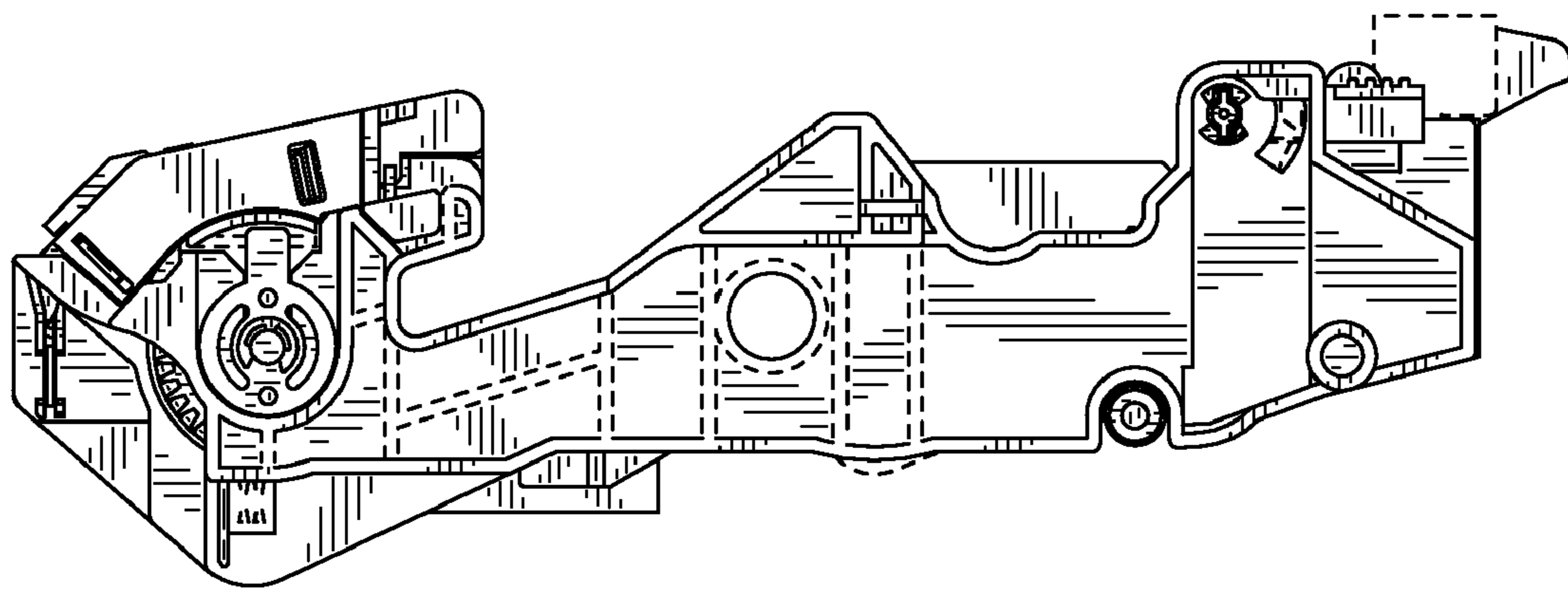


FIG. 4

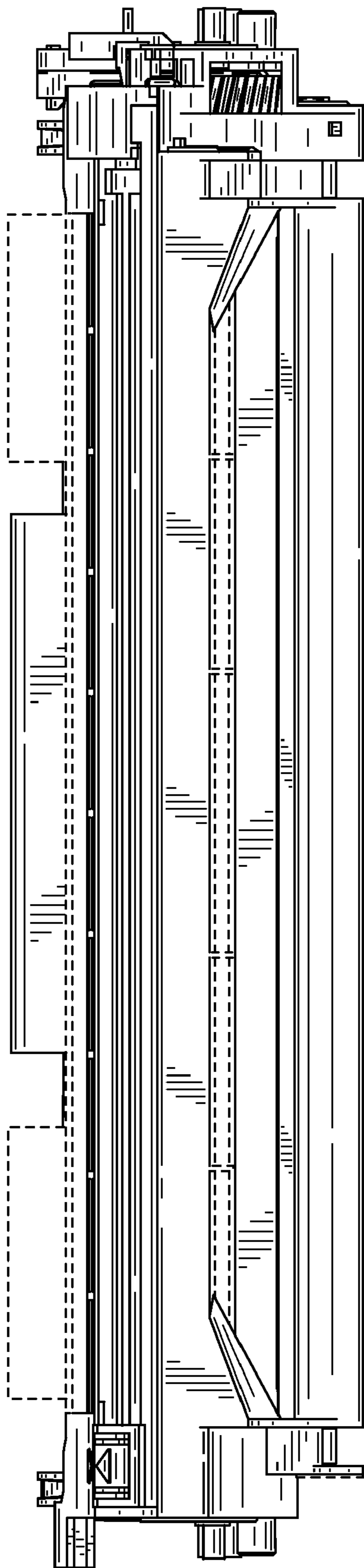


FIG. 5

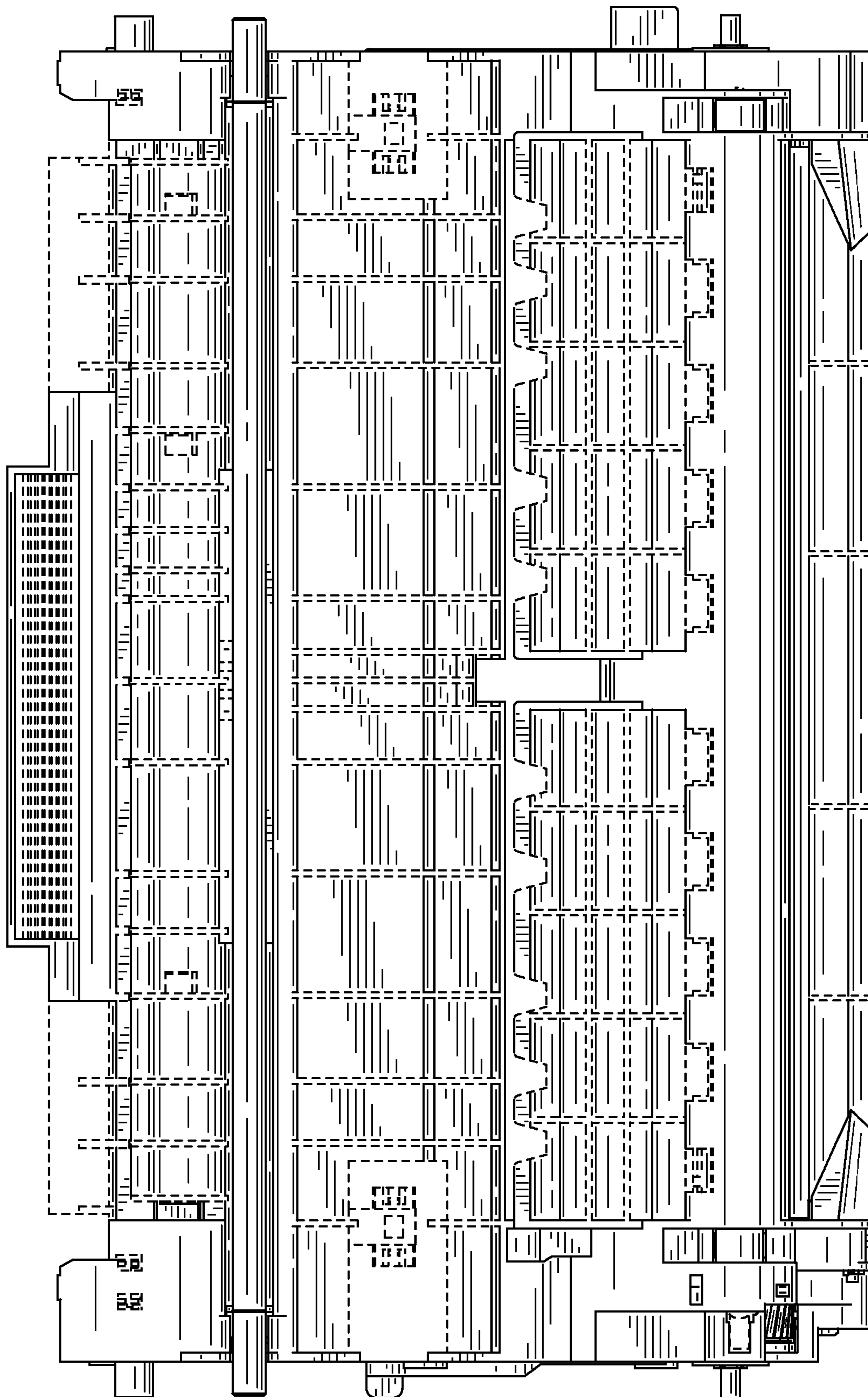


FIG. 6

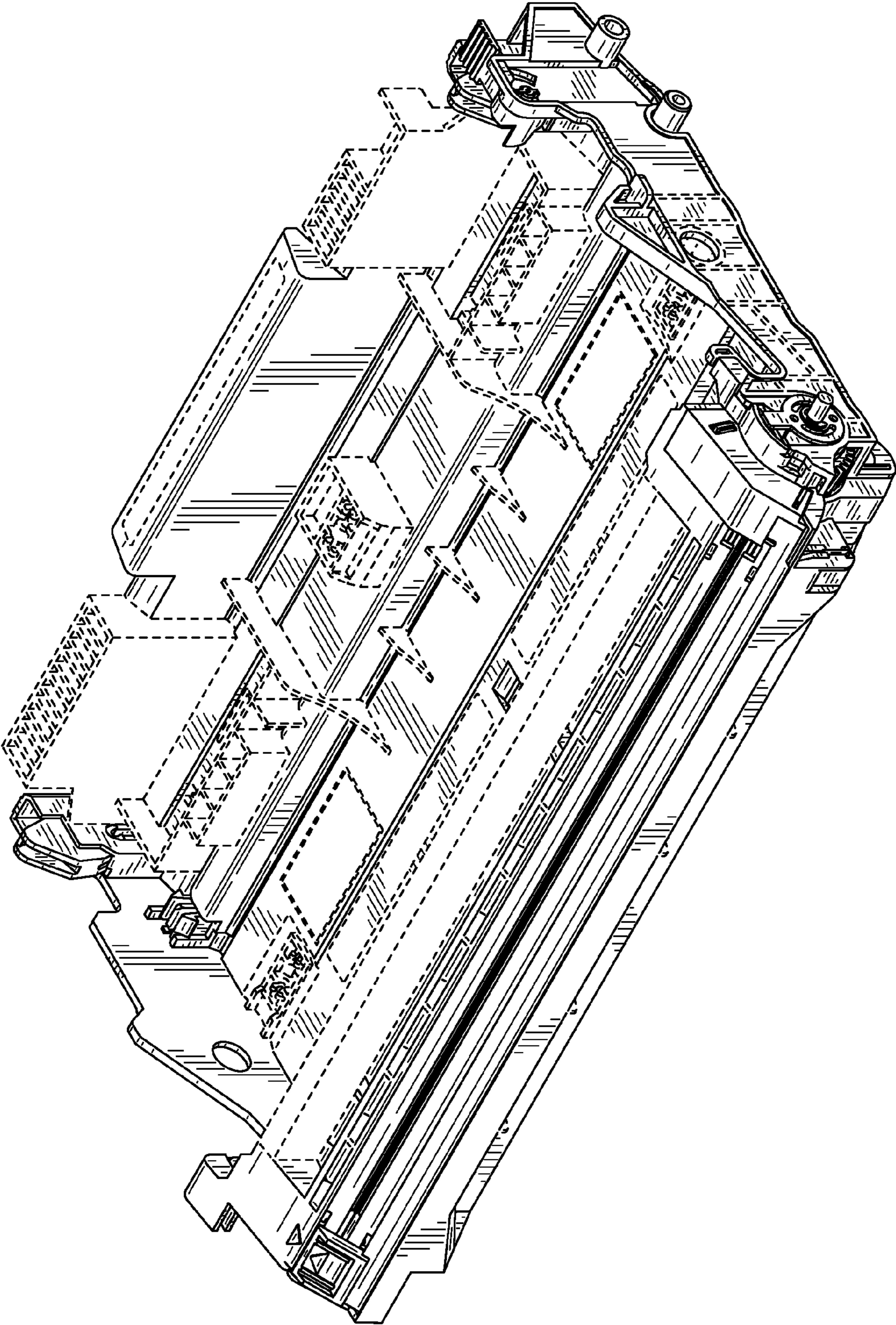


FIG. 7

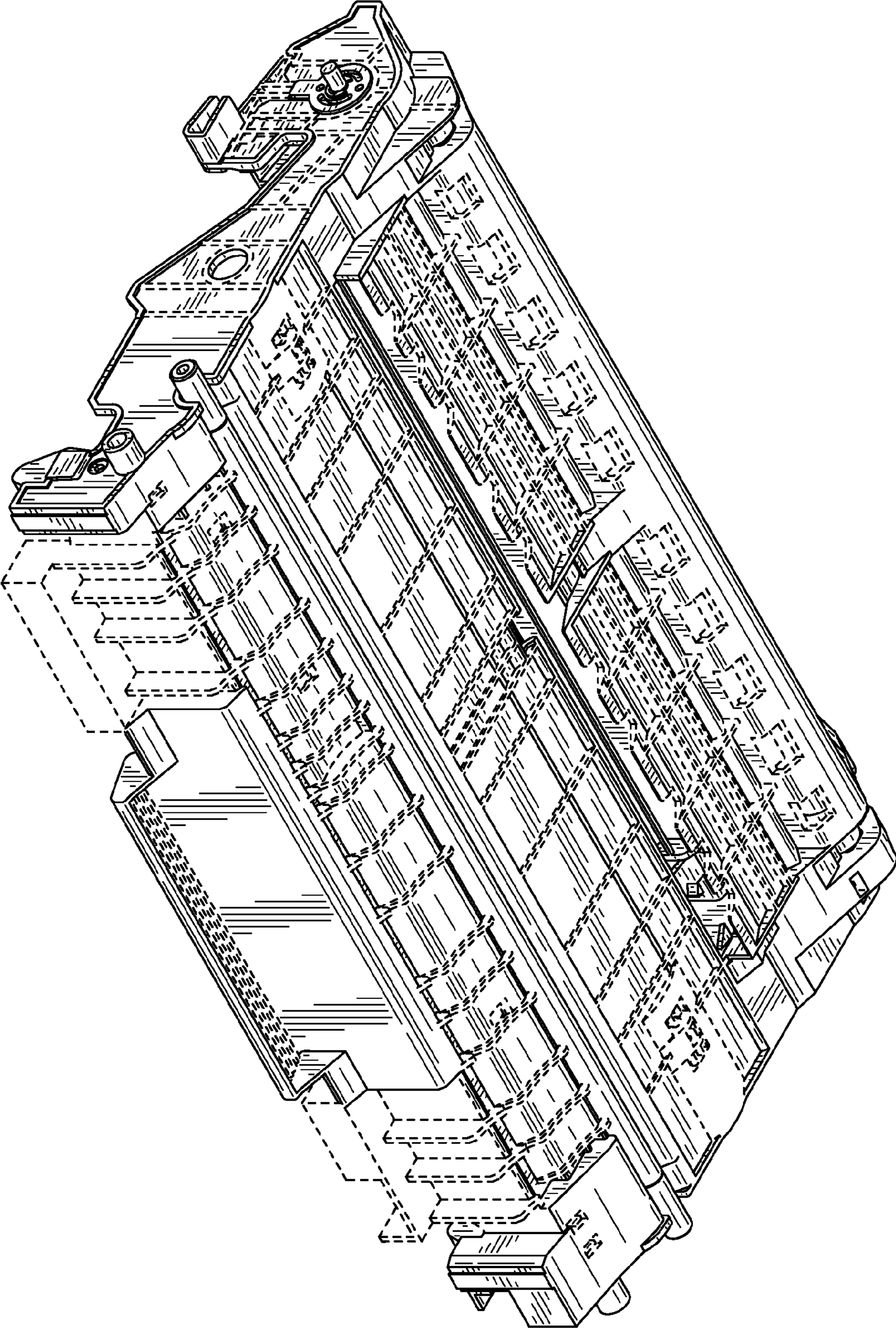


FIG. 8