



US00D594899S

(12) **United States Design Patent**  
**Ogasawara et al.**

(10) **Patent No.:** **US D594,899 S**  
(45) **Date of Patent:** **\*\* Jun. 23, 2009**

(54) **PHOTOSENSITIVE DRUM UNIT**

(75) Inventors: **Tatsuo Ogasawara**, Kasugai (JP);  
**Yasuo Fukamachi**, Nagoya (JP); **Fumio Morita**, Ichinomiya (JP)

(73) Assignee: **Brother Industries, Ltd.**, Nagoya-shi,  
Aichi-ken (JP)

(\*\*) Term: **14 Years**

(21) Appl. No.: **29/303,524**

(22) Filed: **Feb. 11, 2008**

(30) **Foreign Application Priority Data**

Aug. 10, 2007 (JP) ..... 2007-022069

(51) **LOC (9) Cl.** ..... **16-03**

(52) **U.S. Cl.** ..... **D18/43**

(58) **Field of Classification Search** ..... D14/462,  
D14/471, 474, 475; D18/12, 36, 40, 43,  
D18/44, 56; 222/DIG. 1; 347/49, 197, 214,  
347/222; 399/24-27, 107-112, 119, 121,  
399/122, 222-224

See application file for complete search history.

(56) **References Cited**

**U.S. PATENT DOCUMENTS**

D423,559 S \* 4/2000 Suzuki et al. .... D18/40  
D447,511 S 9/2001 Kimura et al.  
D471,583 S \* 3/2003 Okabe et al. .... D18/40  
D507,295 S \* 7/2005 Ishii et al. .... D18/40  
D509,239 S 9/2005 Ishii et al.  
D513,264 S \* 12/2005 Hayashi ..... D14/483  
D521,545 S \* 5/2006 Ishii et al. .... D18/40  
D523,894 S 6/2006 Ishii et al.  
D523,895 S \* 6/2006 Ishii et al. .... D18/43  
D523,896 S \* 6/2006 Ishii et al. .... D18/43

D550,763 S \* 9/2007 Ishikawa et al. .... D18/43  
D551,285 S \* 9/2007 Ishikawa et al. .... D18/43  
2006/0275052 A1 \* 12/2006 Ishikawa ..... 399/111  
2007/0048008 A1 \* 3/2007 Kamimura ..... 399/111

**OTHER PUBLICATIONS**

Co-Pending U.S. Appl. No. 29/276,996, filed Feb. 9, 2007, Inventor:  
Naoya Kimimura, et al.

Co-Pending U.S. Appl. No. 29/276,995, filed Feb. 9, 2007, Inventor:  
Naoya Kimimura, et al.

Co-Pending U.S. Appl. No. 29/276,998, filed Feb. 9, 2007, Inventor:  
Naoya Kimimura, et al.

\* cited by examiner

*Primary Examiner*—Caron Veynar

*Assistant Examiner*—Garth Rademaker

(74) *Attorney, Agent, or Firm*—Banner and Witcoff, Ltd

(57) **CLAIM**

The ornamental design for a photosensitive drum unit, as shown and described.

**DESCRIPTION**

FIG. 1 is a front elevational view of a photosensitive drum unit showing our new design;

FIG. 2 is a top plan view thereof;

FIG. 3 is a right side elevational view thereof;

FIG. 4 is a left side elevational view thereof;

FIG. 5 is a rear elevational view thereof;

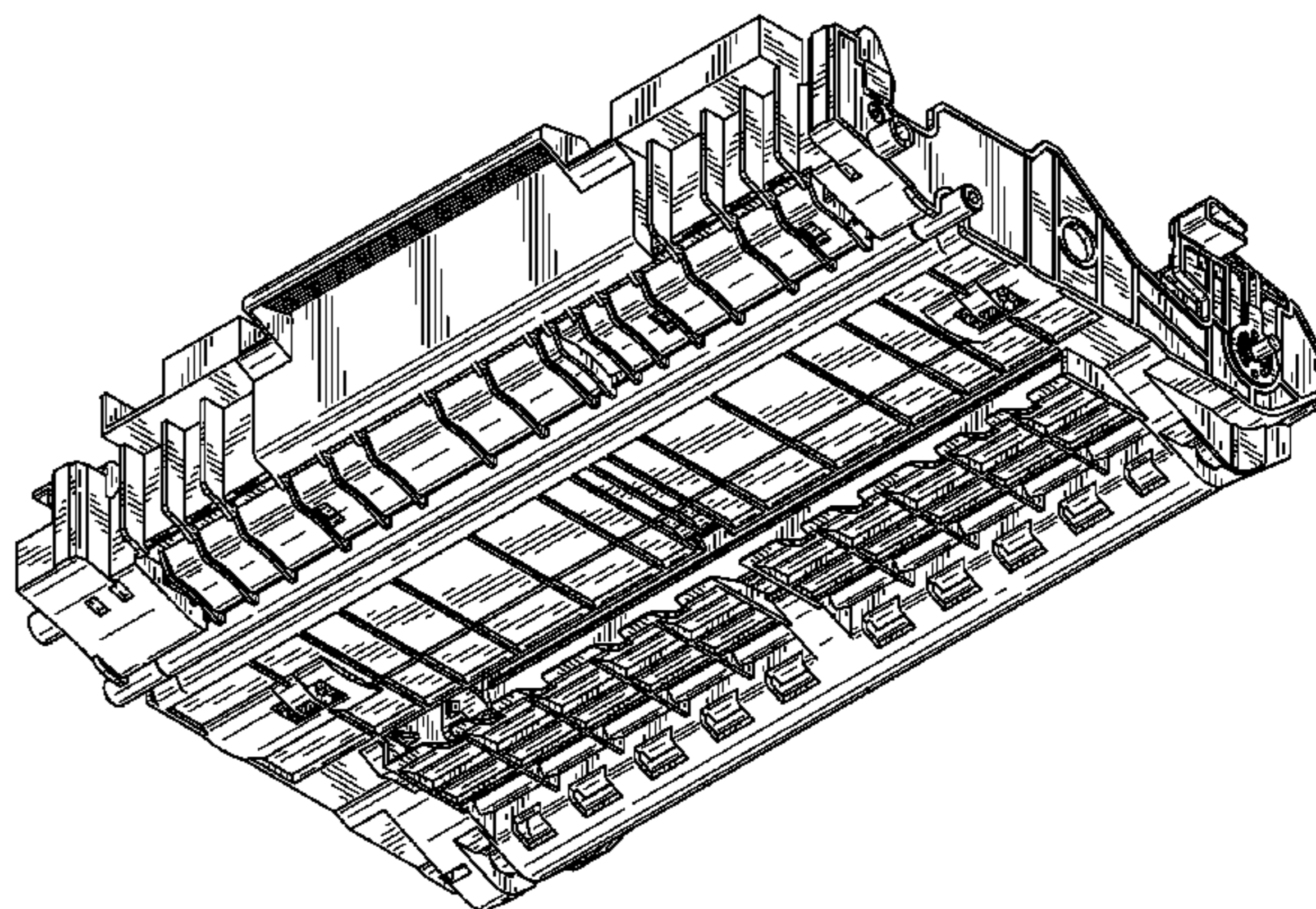
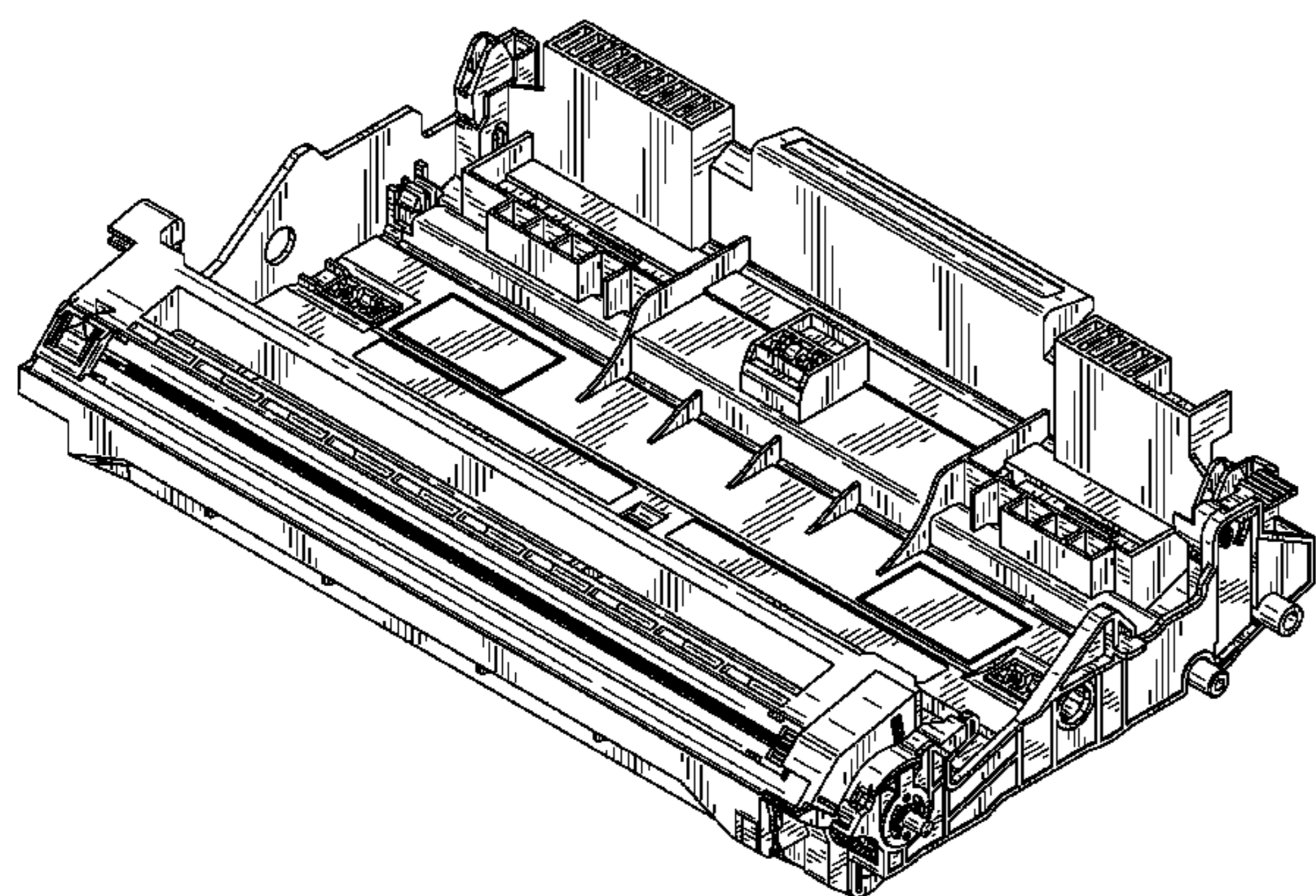
FIG. 6 is a bottom plan view thereof;

FIG. 7 is a top perspective view thereof; and,

FIG. 8 is a bottom perspective view thereof.

The broken lines depict environmental subject matter only and form no part of the claimed design.

**1 Claim, 7 Drawing Sheets**



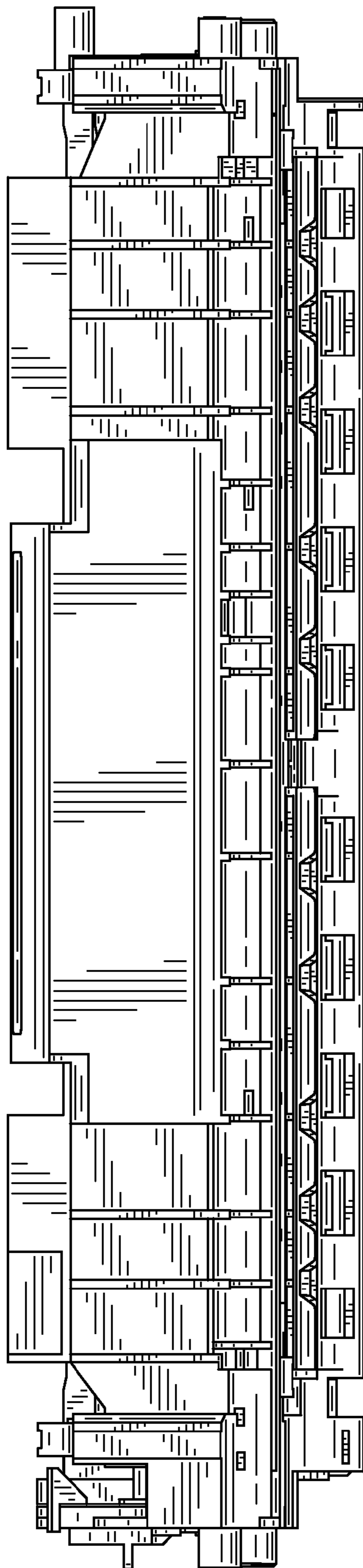


FIG. 1

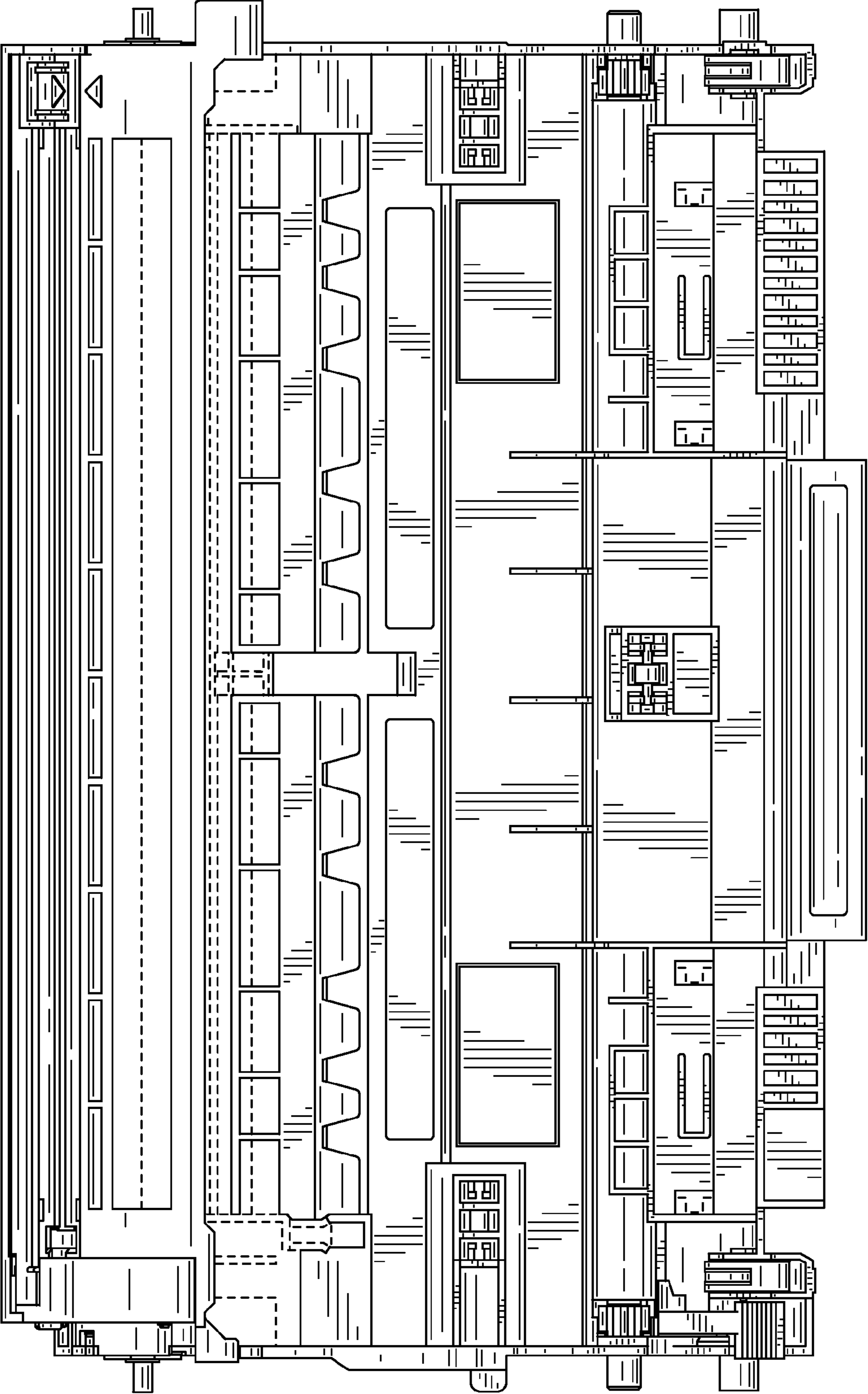


FIG. 2

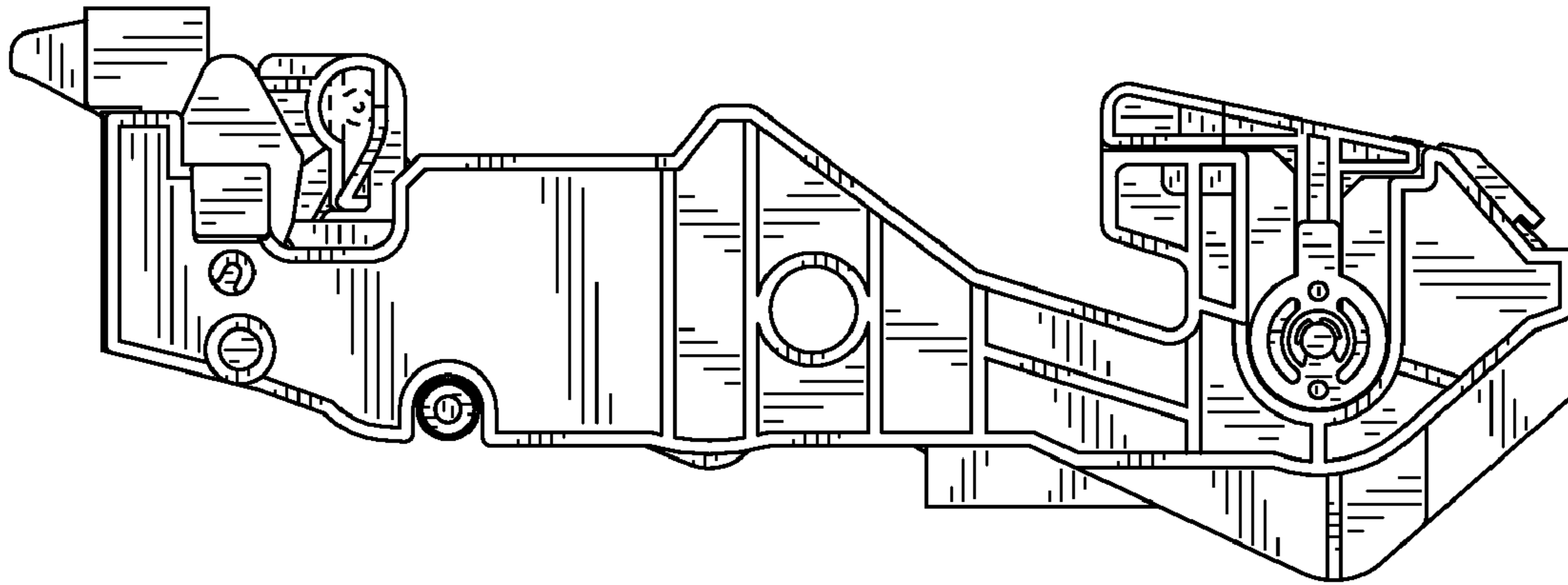


FIG. 3

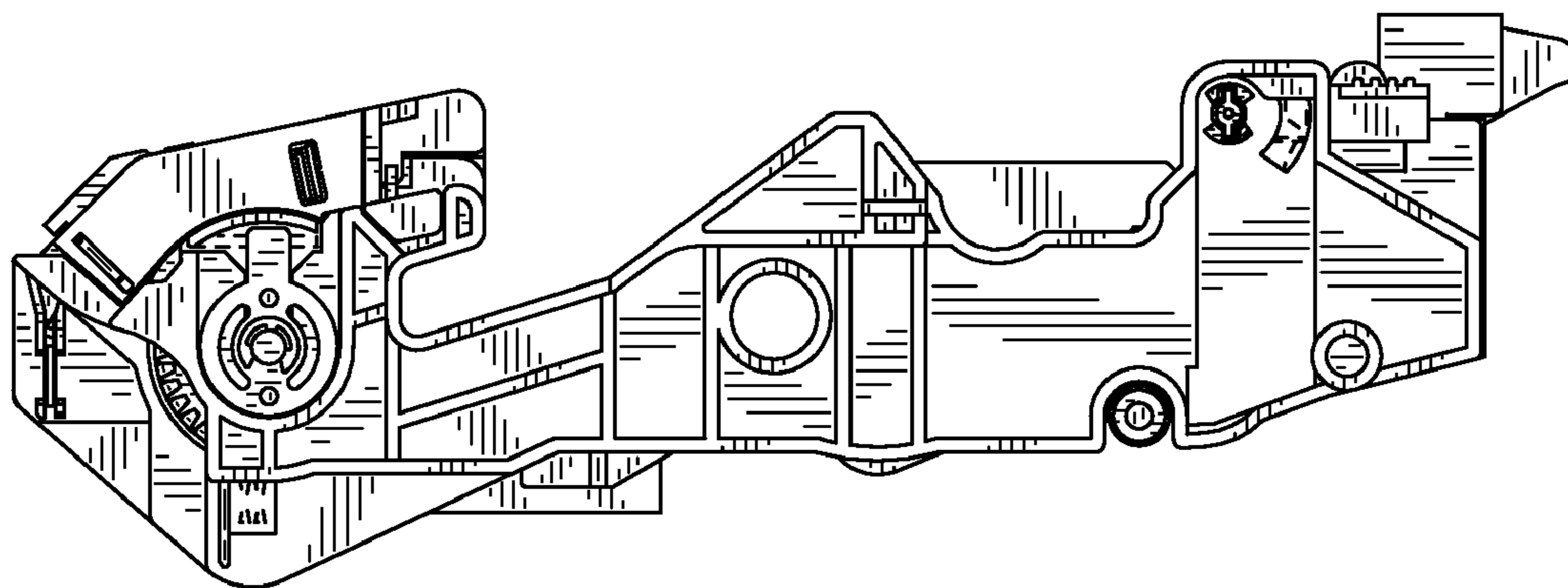


FIG. 4



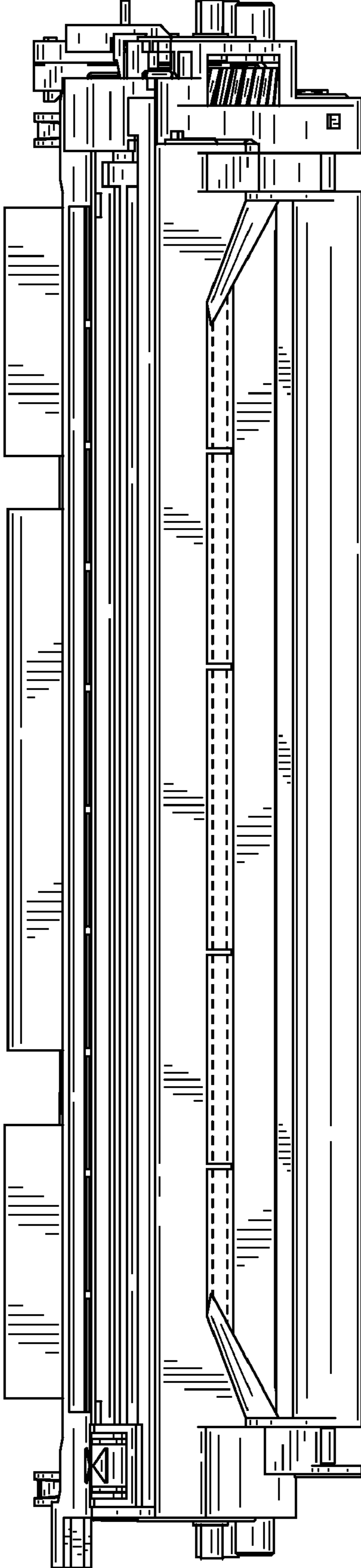


FIG. 5

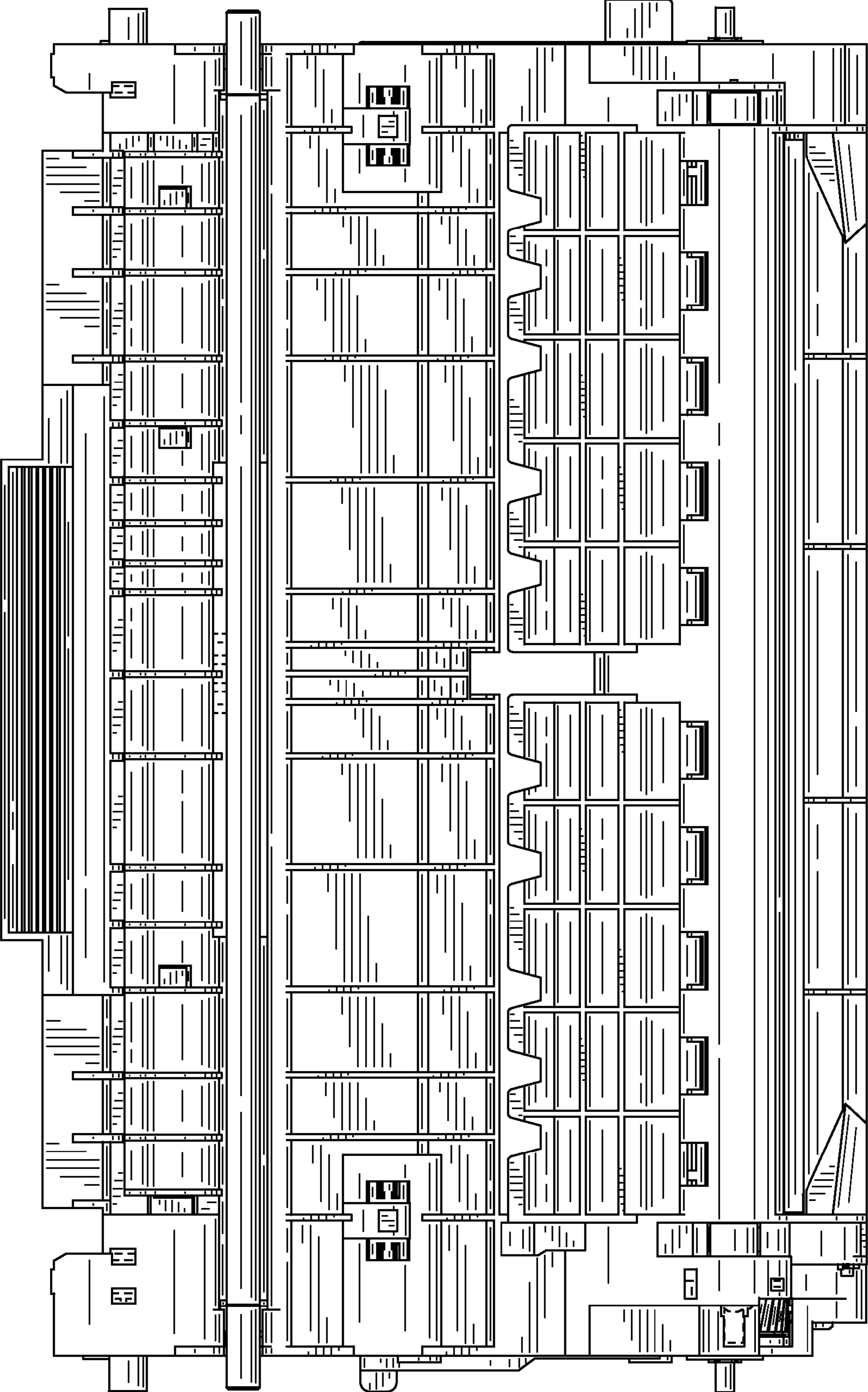


FIG. 6

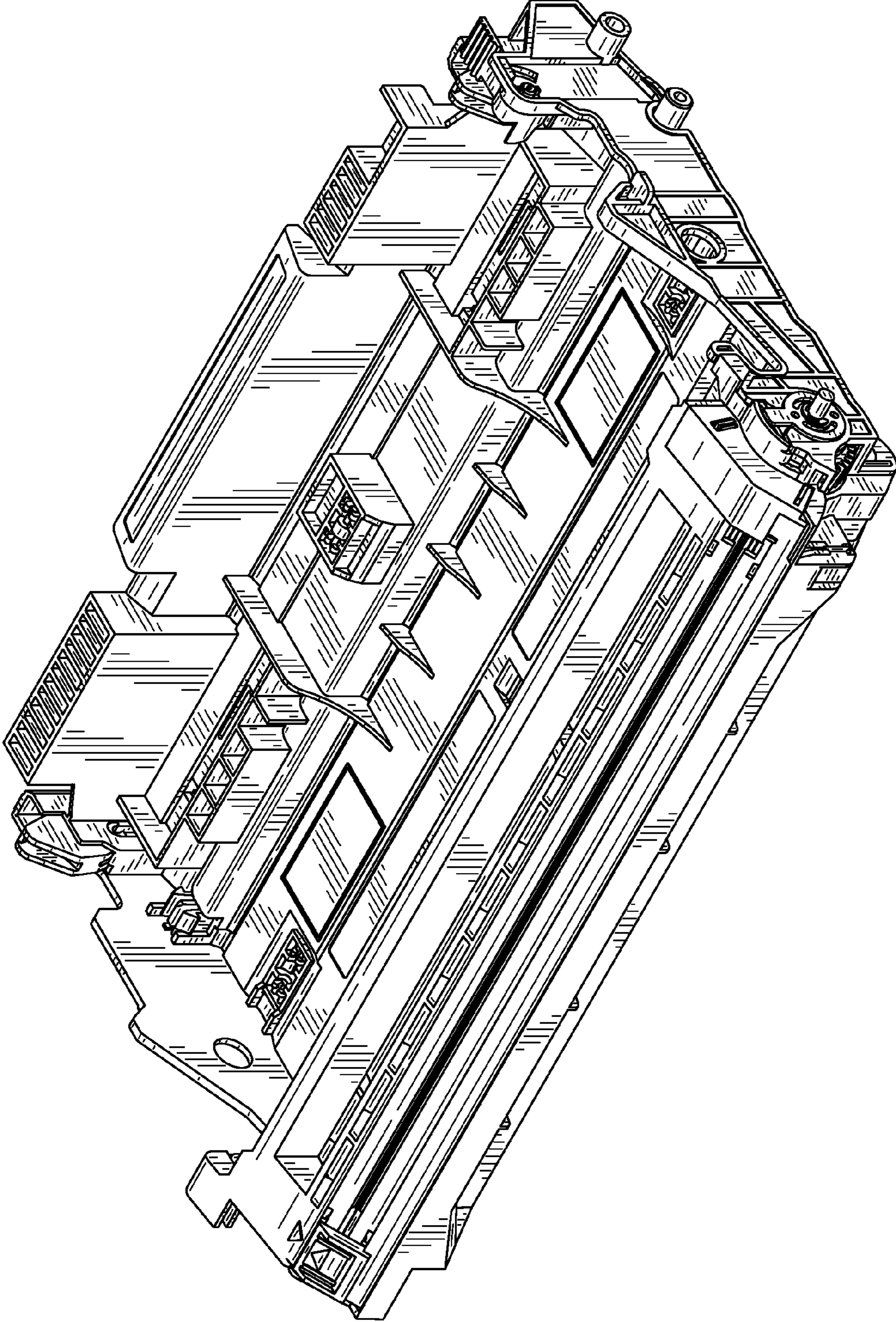


FIG. 7



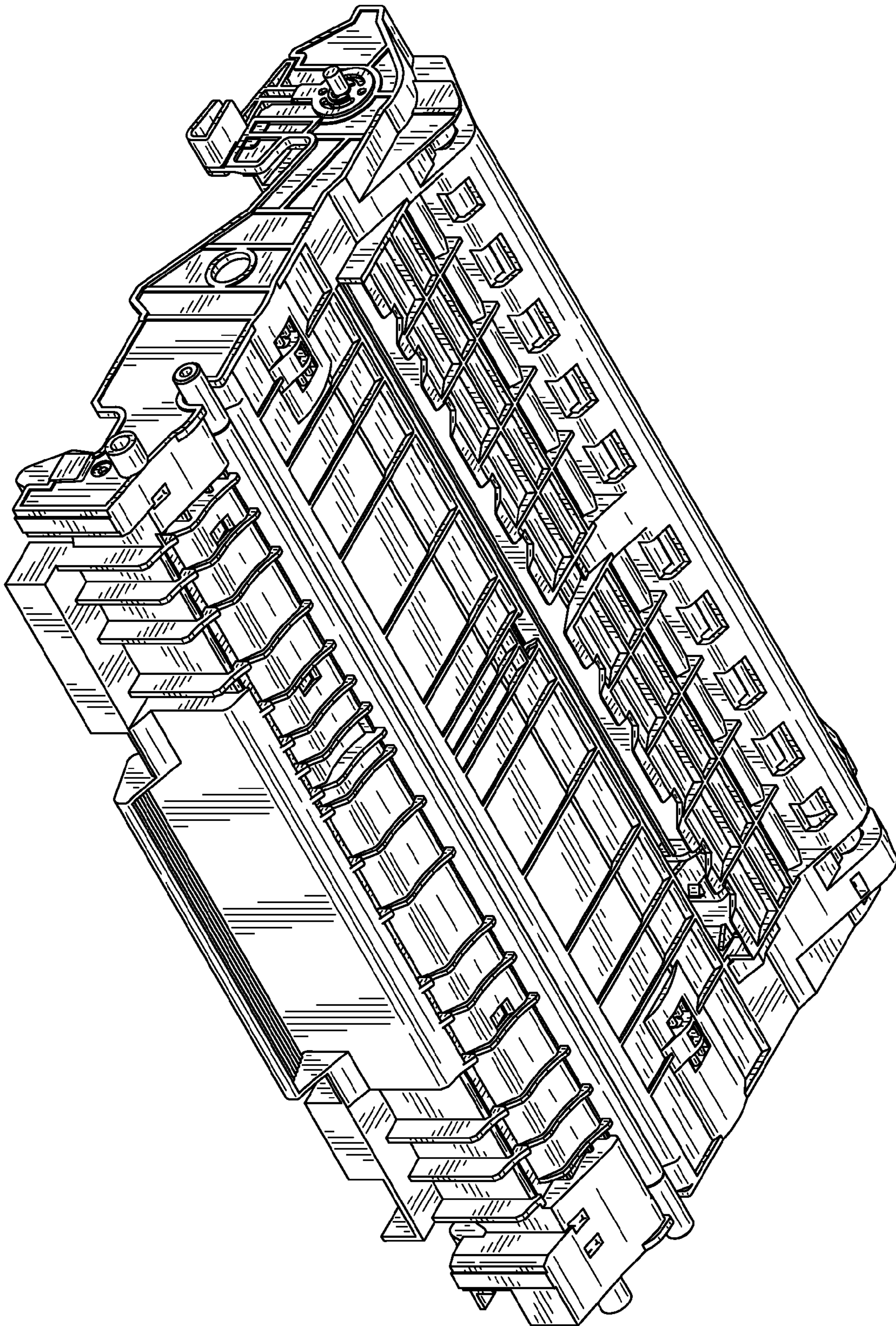


FIG. 8