



US00D594898S

(12) **United States Design Patent**
Preliasco et al.

(10) **Patent No.:** **US D594,898 S**

(45) **Date of Patent:** **** Jun. 23, 2009**

(54) **RIBBON CARTRIDGE**

(75) Inventors: **Richard James Preliasco**, North Kingstown, RI (US); **Roy Patrick Lyman**, Coventry, RI (US)

(73) Assignee: **ZIH Corp.**, Hamilton (BM)

(**) Term: **14 Years**

(21) Appl. No.: **29/320,077**

(22) Filed: **Jun. 19, 2008**

(51) **LOC (9) Cl.** **18-01**

(52) **U.S. Cl.** **D18/12**

(58) **Field of Classification Search** D14/471;
D18/12, 36, 40, 43, 44, 56; 222/DIG. 1;
347/197, 222; 399/24–28, 107–112, 119,
399/121, 122, 222–224

See application file for complete search history.

(56) **References Cited**

U.S. PATENT DOCUMENTS

- D270,914 S * 10/1983 Nader D18/44
- D425,545 S * 5/2000 Ishida D18/12
- D442,211 S * 5/2001 Hayashi et al. D18/12
- 6,714,228 B1 * 3/2004 Holland et al. 347/214
- D520,051 S * 5/2006 Harumoto D18/40
- D527,761 S * 9/2006 Neri D18/12

D545,883 S * 7/2007 Yamamoto et al. D18/12
2006/0251461 A1 * 11/2006 Lodwig et al. 400/701

* cited by examiner

Primary Examiner—Caron Veynar

Assistant Examiner—Garth Rademaker

(74) *Attorney, Agent, or Firm*—Alston & Bird LLP

(57) **CLAIM**

The ornamental design for a ribbon cartridge, as shown and described.

DESCRIPTION

FIG. 1 is a perspective view of a ribbon cartridge according to our new design;

FIG. 2 is a front elevation view thereof;

FIG. 3 is a rear elevation view thereof;

FIG. 4 is a right side elevation view thereof;

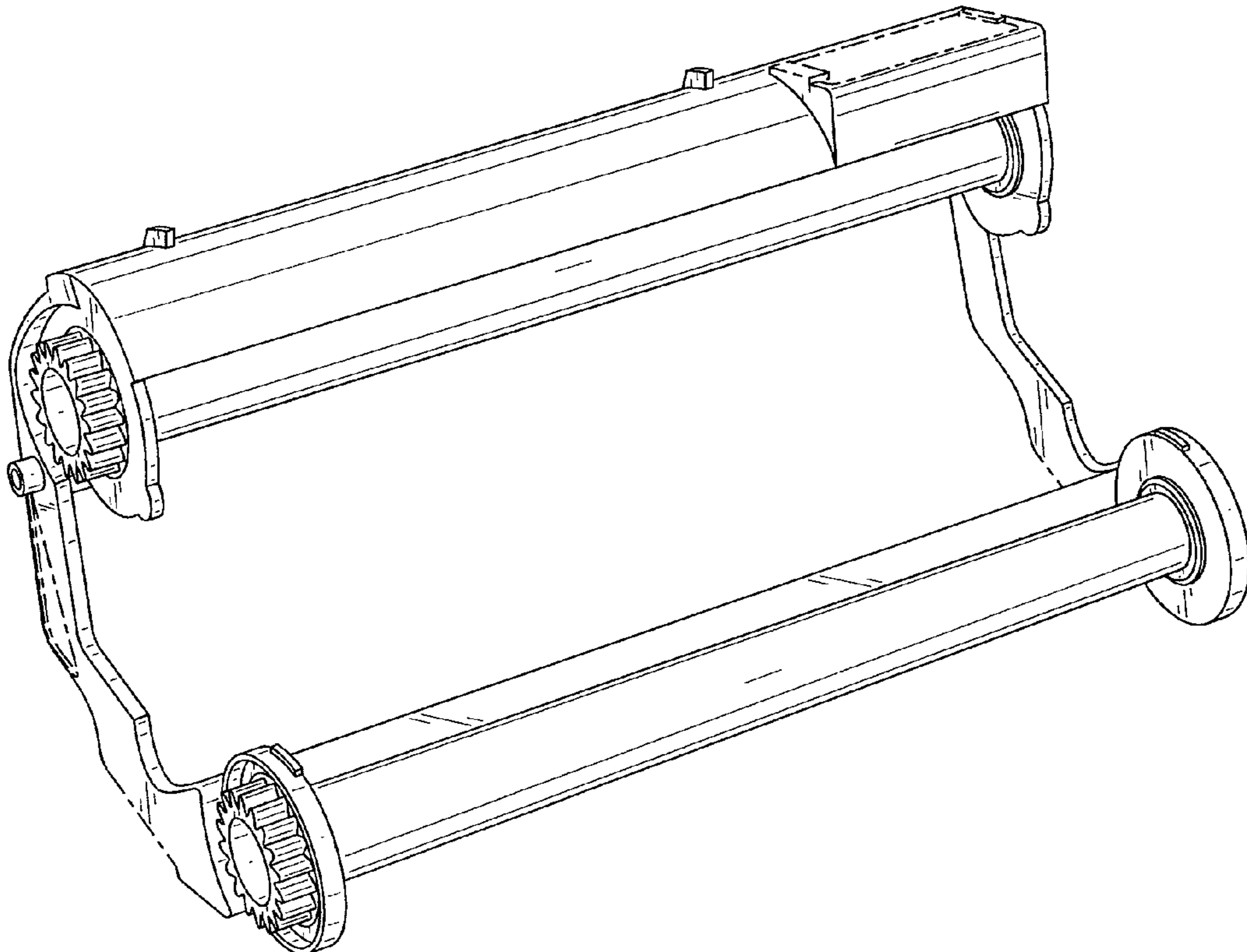
FIG. 5 is a left side elevation view thereof;

FIG. 6 is a top plan view thereof; and,

FIG. 7 is a bottom plan view thereof.

The broken lines depict environmental subject matter and define the bounds of the claimed design and form no part of the claimed design.

1 Claim, 6 Drawing Sheets



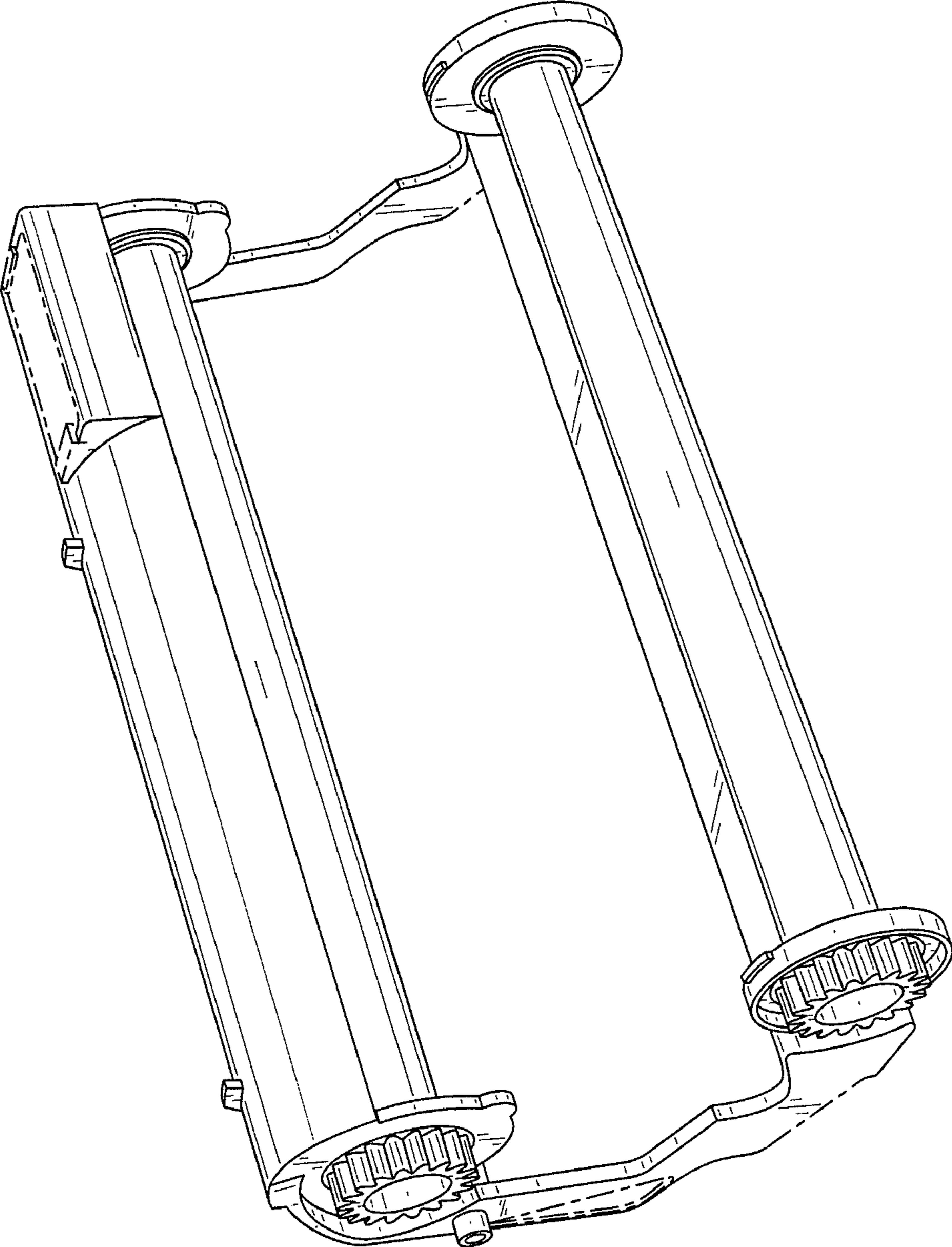


FIG. 1

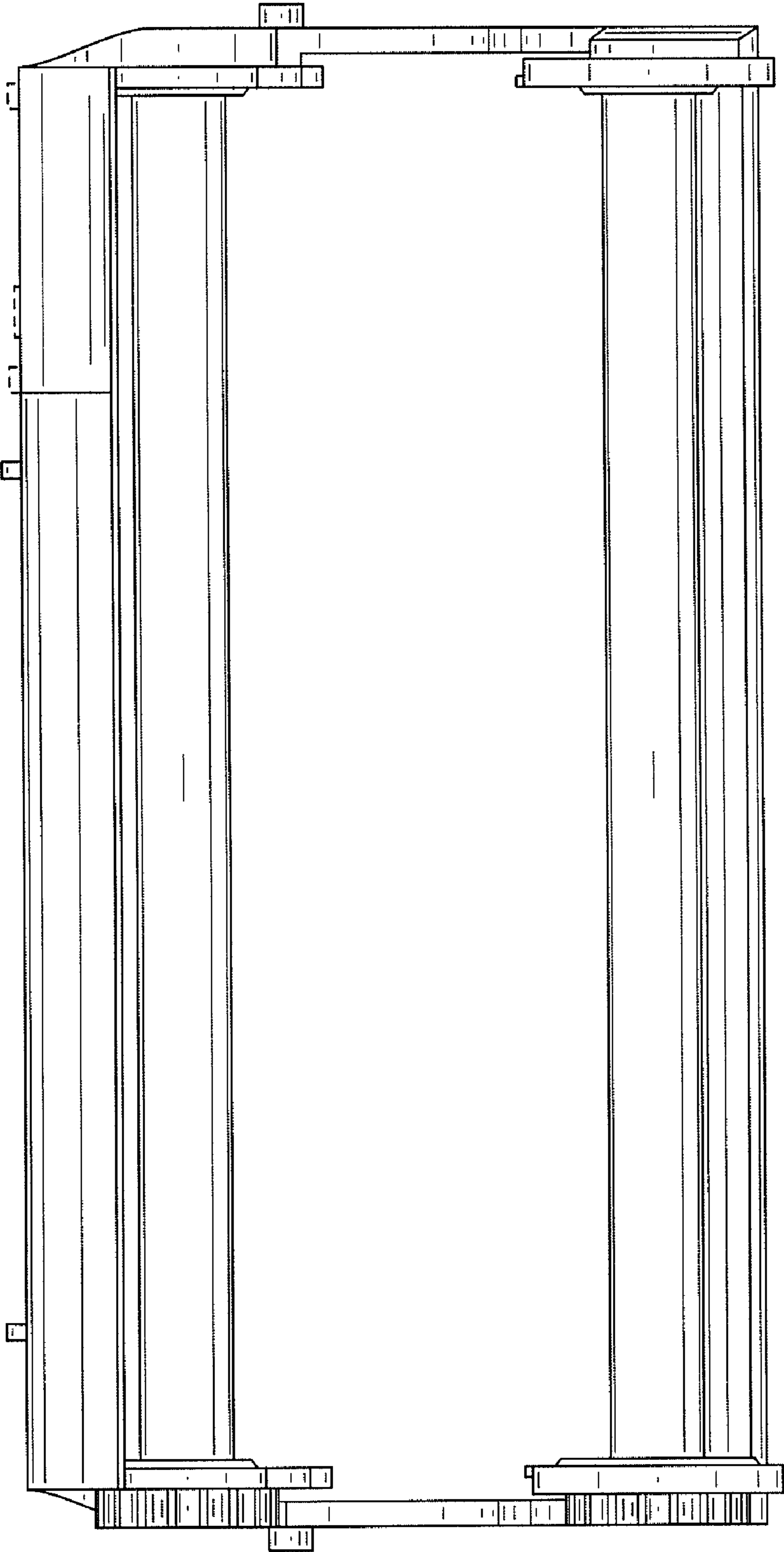


FIG. 2

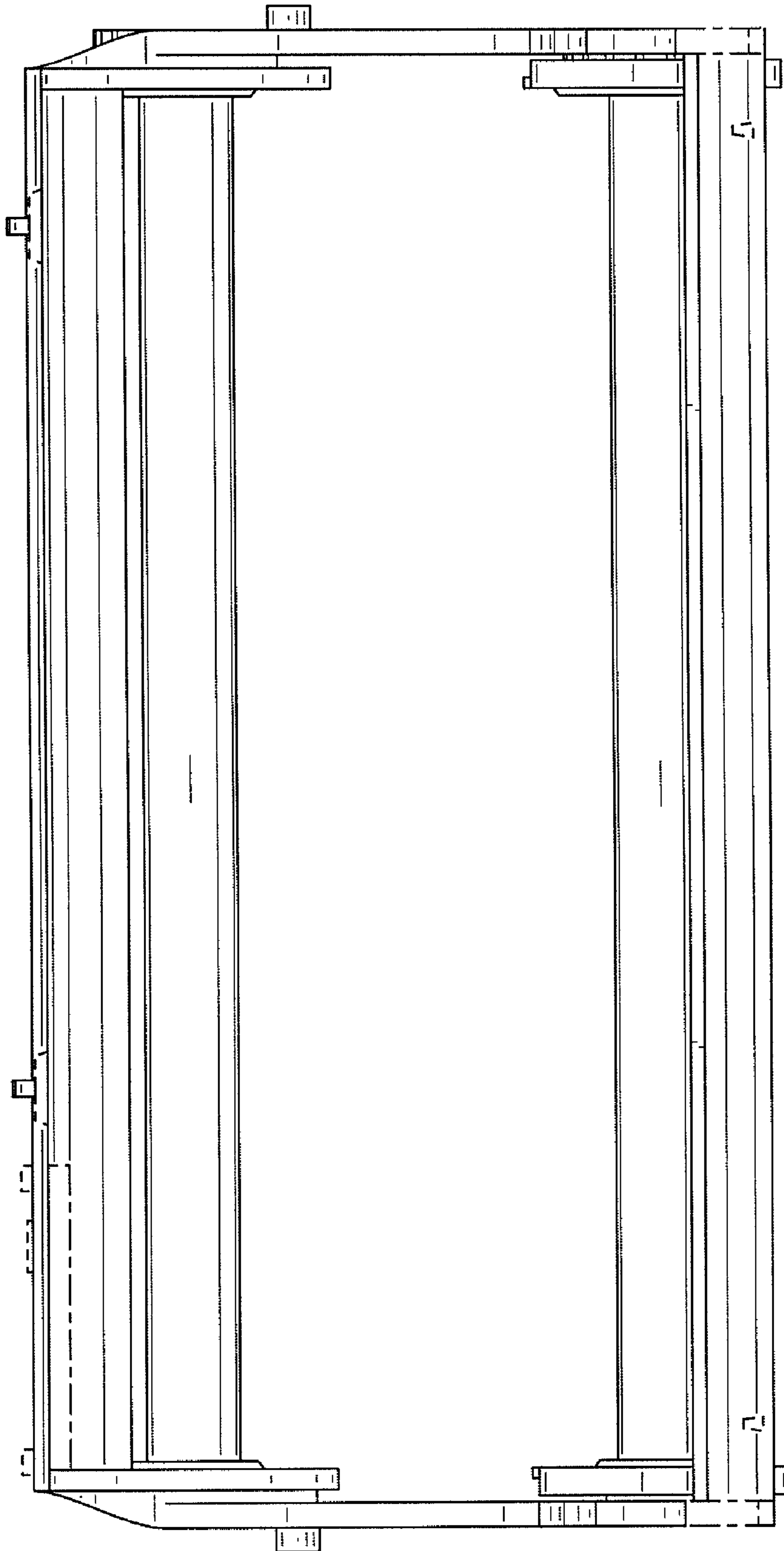


FIG. 3

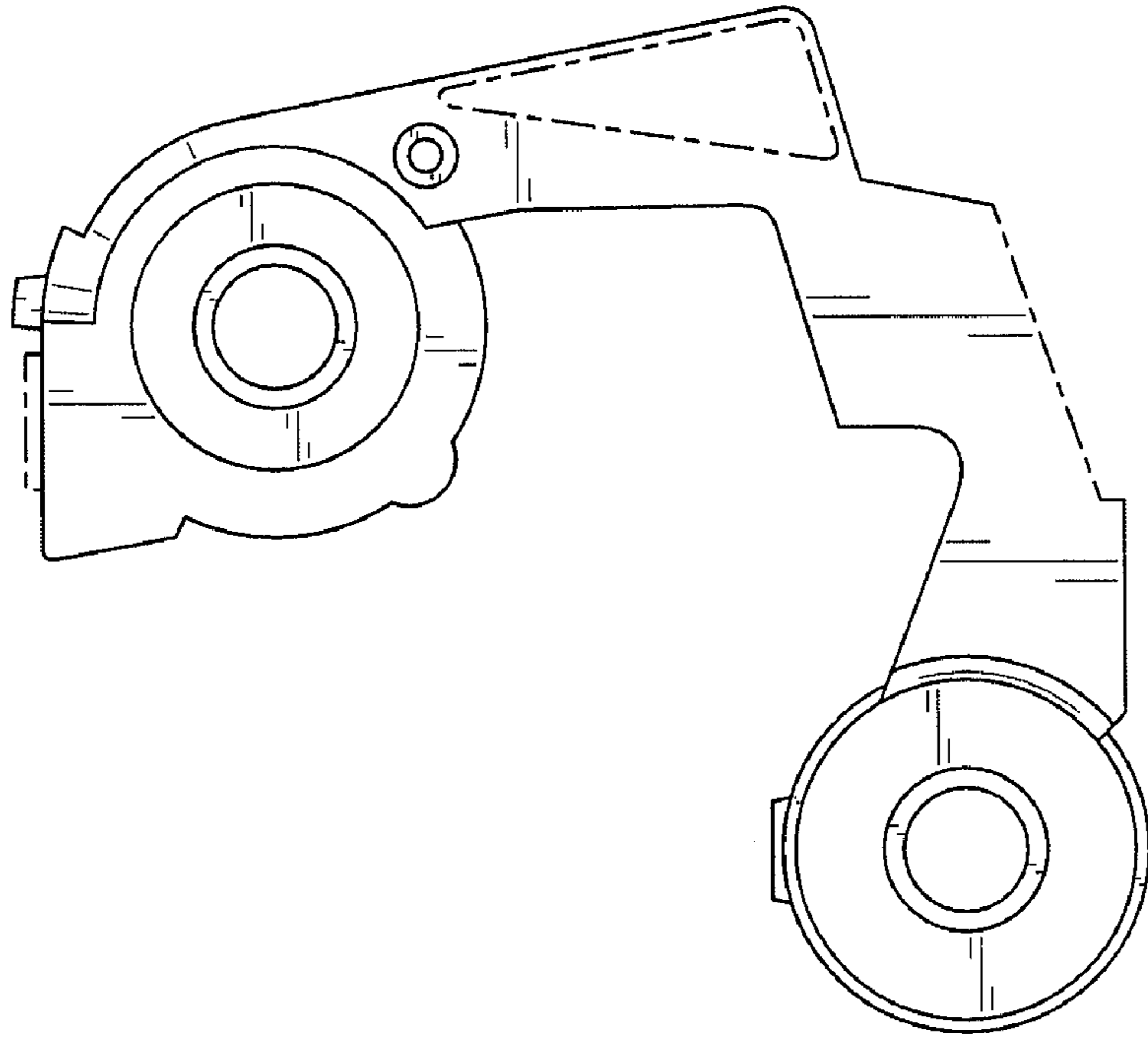


FIG. 5

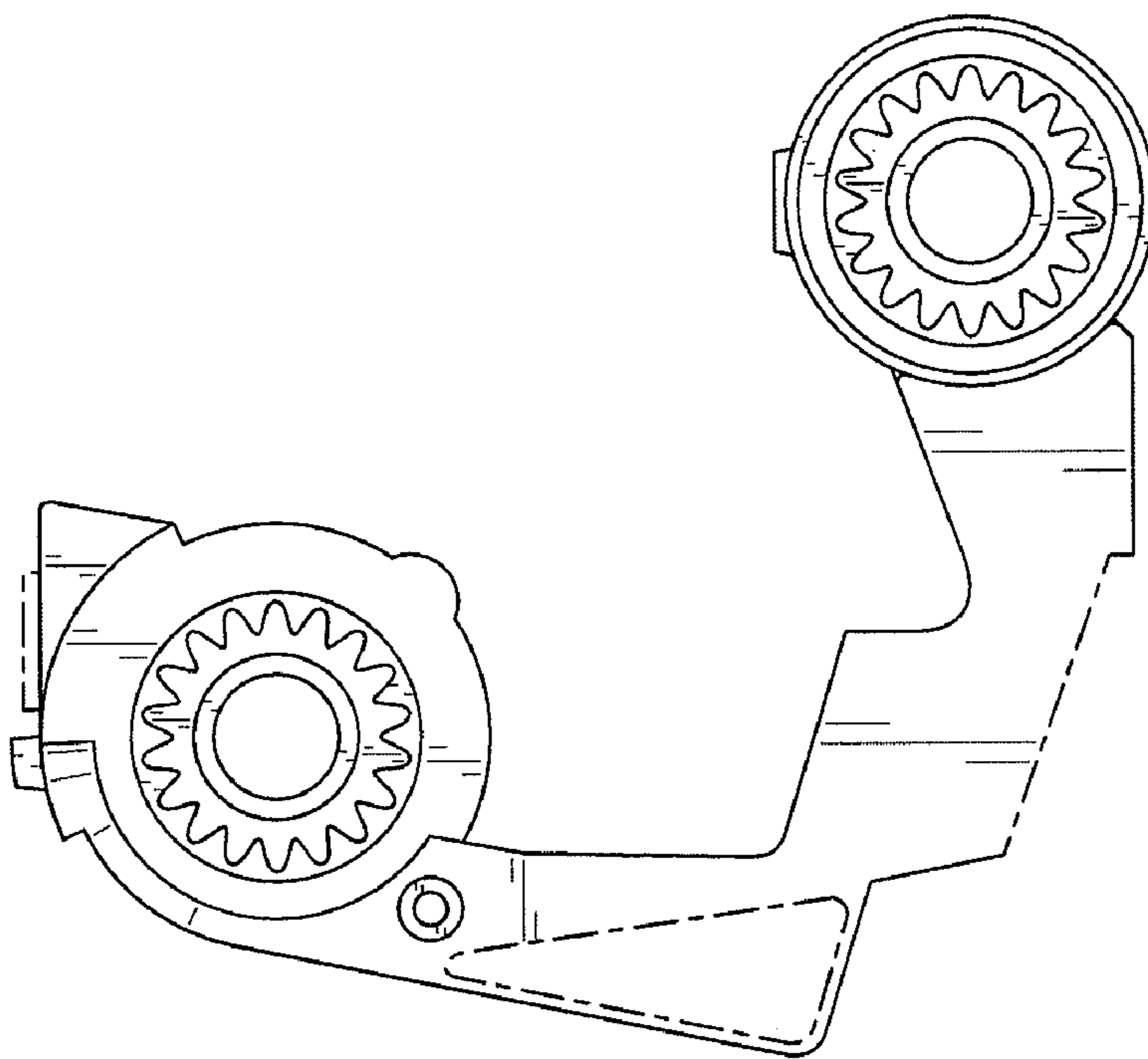


FIG. 4

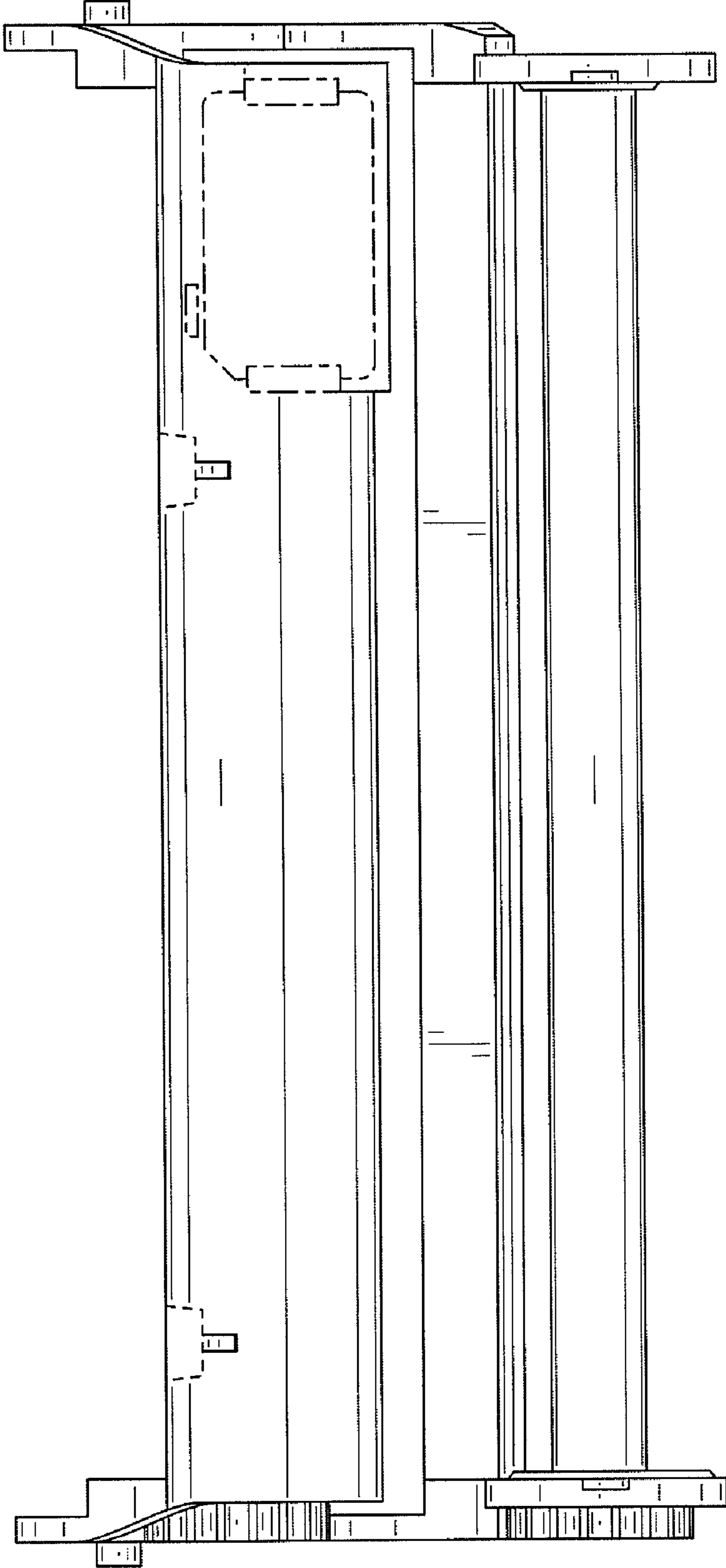


FIG. 6

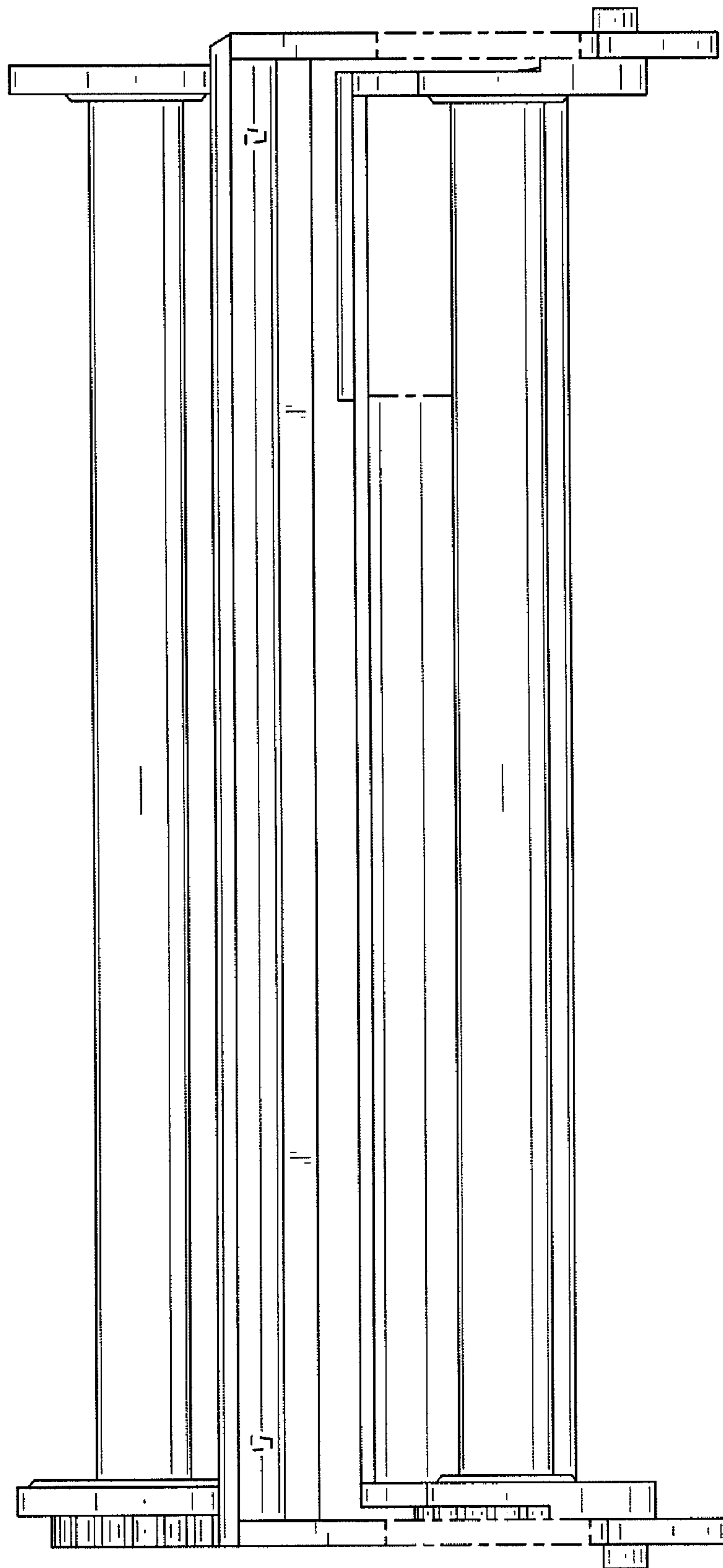


FIG. 7