



US00D594894S

(12) **United States Design Patent**
Adams et al.

(10) **Patent No.:** **US D594,894 S**
(45) **Date of Patent:** **** Jun. 23, 2009**

(54) **PORTABLE FRONT PROJECTION SCREEN**

(75) Inventors: **Douglas Adams**, Raleigh, NC (US);
Robert L. Wood, Cary, NC (US);
Edward Fadel, Hillsborough, NC (US);
Donald Hirsh, Chapel Hill, NC (US);
Sean Hillard, Raleigh, NC (US)

(73) Assignee: **Bright View Technologies, Inc.**,
Morrisville, NC (US)

(**) Term: **14 Years**

(21) Appl. No.: **29/297,173**

(22) Filed: **Nov. 6, 2007**

(51) **LOC (9) Cl.** **16-05**

(52) **U.S. Cl.** **D16/241**

(58) **Field of Classification Search** D16/235,
D16/241–242, 245, 250; D20/10; 362/320,
362/352, 319; 396/3–4; 160/24, 37–38,
160/351; 359/443, 461, 459, 460

See application file for complete search history.

(56) **References Cited**

U.S. PATENT DOCUMENTS

1,915,944 A * 6/1933 Nagel 160/24
D383,497 S * 9/1997 Robertson D20/10
5,982,537 A * 11/1999 Koizumi et al. 359/444

(Continued)

FOREIGN PATENT DOCUMENTS

TW 553683 9/2003
TW D112308 8/2006

OTHER PUBLICATIONS

Demco 2001 Annual Catalog; HD13013141, product advertisement.
U.S. Appl. No. 11/961,364, filed Dec. 20, 2007, Douglas Adams et al.
Search Report for New design Patent Application, ROC (Taiwan)
New Design Patent Application No. 096306328 (with Translation),
Date of Completion May 16, 2008.

Search Report for New design Patent Application, ROC (Taiwan)
New Design Patent Application No. 096306329 (with Translation),
Date of Completion May 16, 2008.

Primary Examiner—Ian Simmons

Assistant Examiner—Wan Laymon

(74) *Attorney, Agent, or Firm*—Myers, Bigel, Sibley &
Sajovec, P.A.

(57) **CLAIM**

The ornamental design for a portable front projection screen,
as shown and described.

DESCRIPTION

FIG. 1 is a front and top perspective view of the portable front
projection screen in a closed configuration showing our
design;

FIG. 2 is top view thereof;

FIG. 3 is a side view thereof;

FIG. 4 is a bottom view thereof;

FIG. 5 is an opposing side view of the side shown in FIG. 3;

FIG. 6 is a bottom end view thereof;

FIG. 7 is a top end view thereof;

FIG. 8 is a front perspective view of the portable front pro-
jection screen shown in an open configuration;

FIG. 9 is a rear perspective view thereof;

FIG. 10 is a front perspective thereof;

FIG. 11 is a side view of the open embodiment shown in FIG.
8;

FIG. 12 is a rear view thereof;

FIG. 13 is an opposing side view of the view shown in FIG.
11;

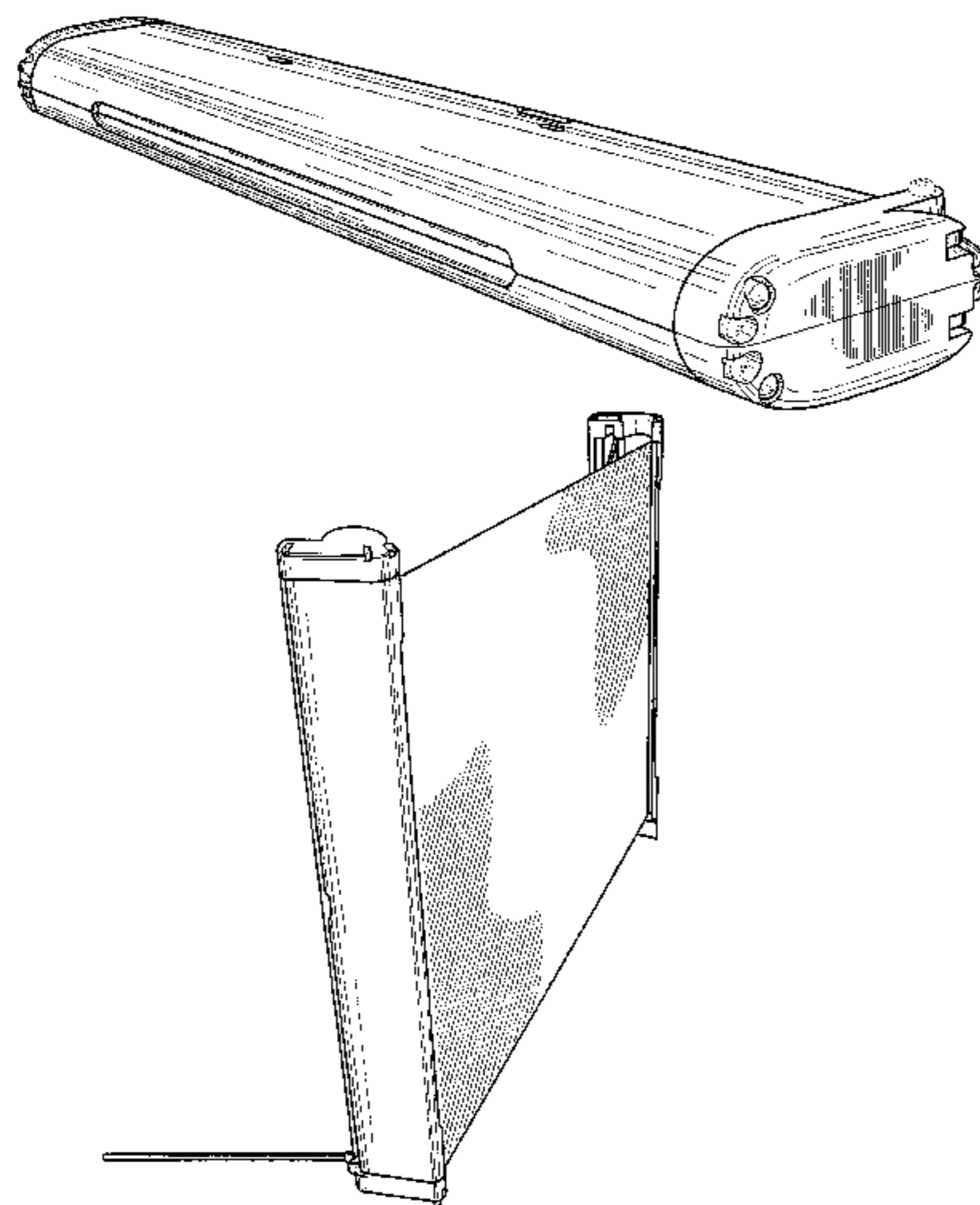
FIG. 14 is a front view thereof;

FIG. 15 is a bottom view thereof; and,

FIG. 16 is a top view thereof.

The broken lines shown herein are for illustrative purposes
only and form no part of the claimed design.

1 Claim, 12 Drawing Sheets



US D594,894 S

Page 2

U.S. PATENT DOCUMENTS

6,249,377	B1	6/2001	Takamoto et al.	D548,765	S	8/2007	Kotera et al.	
6,297,905	B1 *	10/2001	Takamoto et al.	7,262,912	B2	8/2007	Wood	
6,424,463	B1	7/2002	Nishitani	D568,364	S *	5/2008	Jeoung et al.	D16/241
D520,046	S	5/2006	Miyagawa et al.	7,426,077	B2 *	9/2008	Miyagawa et al.	359/461
7,092,166	B1	8/2006	Wood	2006/0279840	A1 *	12/2006	Yamauchi	359/461
7,192,692	B2	3/2007	Wood et al.	2007/0121088	A1	5/2007	Liang et al.	
				2007/0121209	A1 *	5/2007	Liang et al.	359/461

* cited by examiner

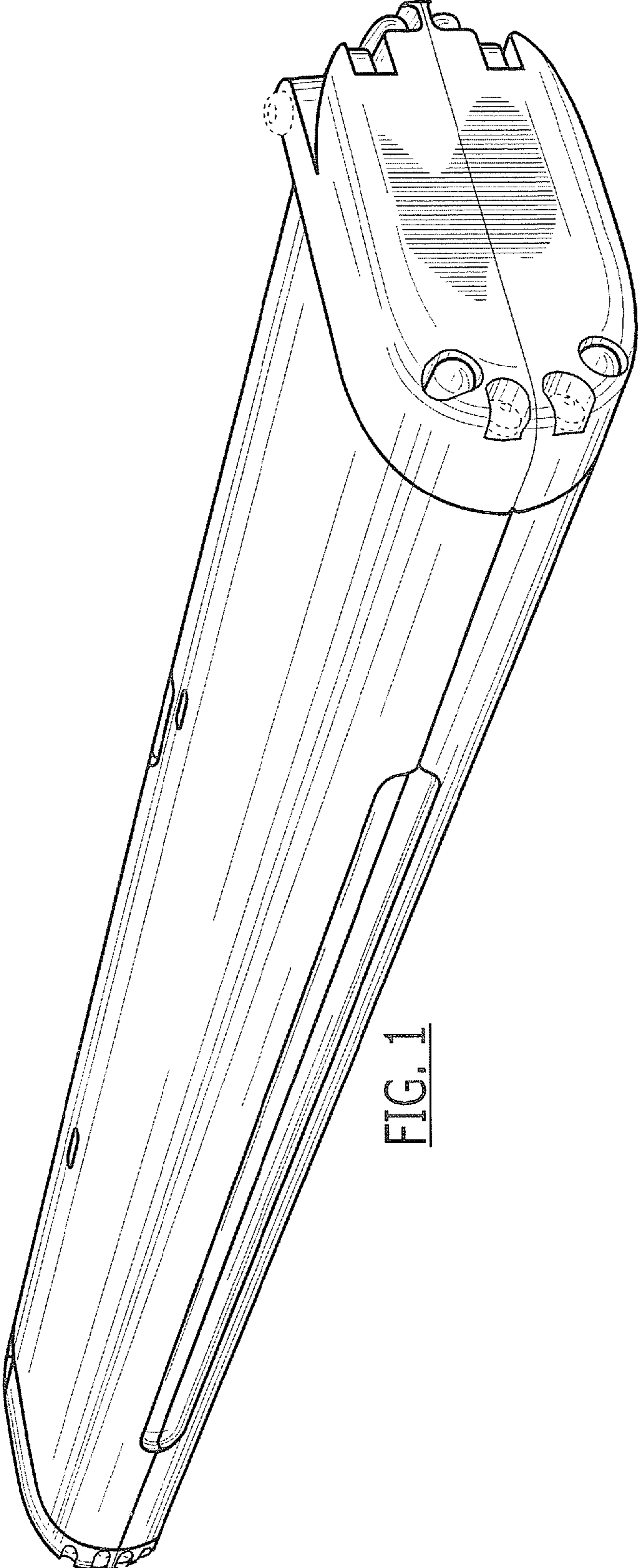


FIG. 1

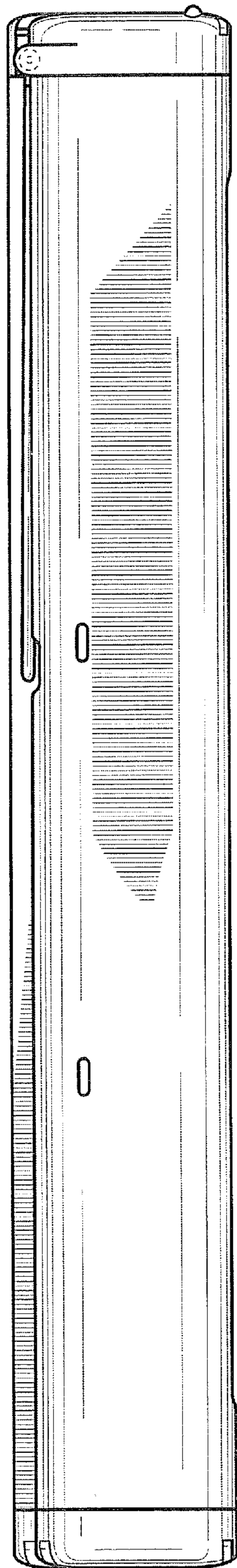


FIG. 2

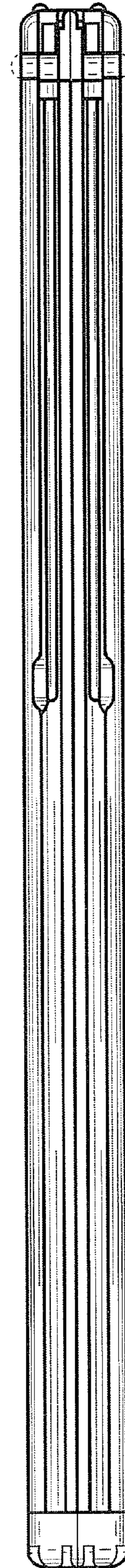


FIG. 3

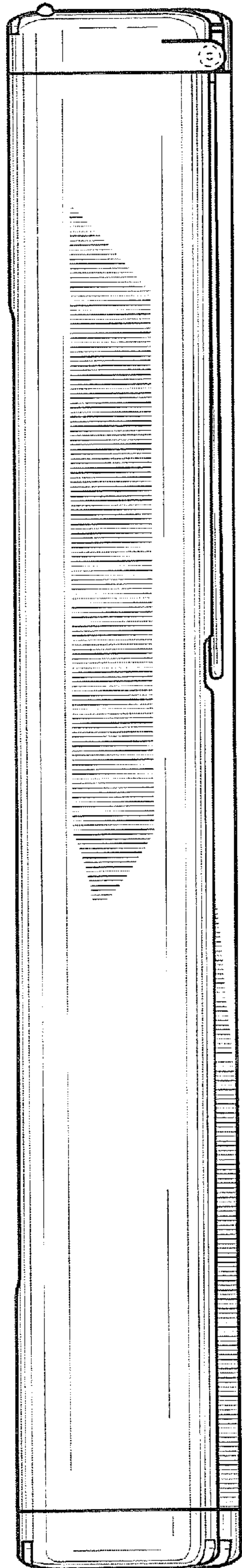


FIG. 4

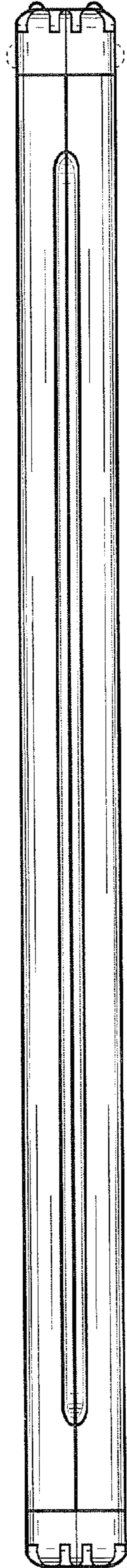


FIG. 5

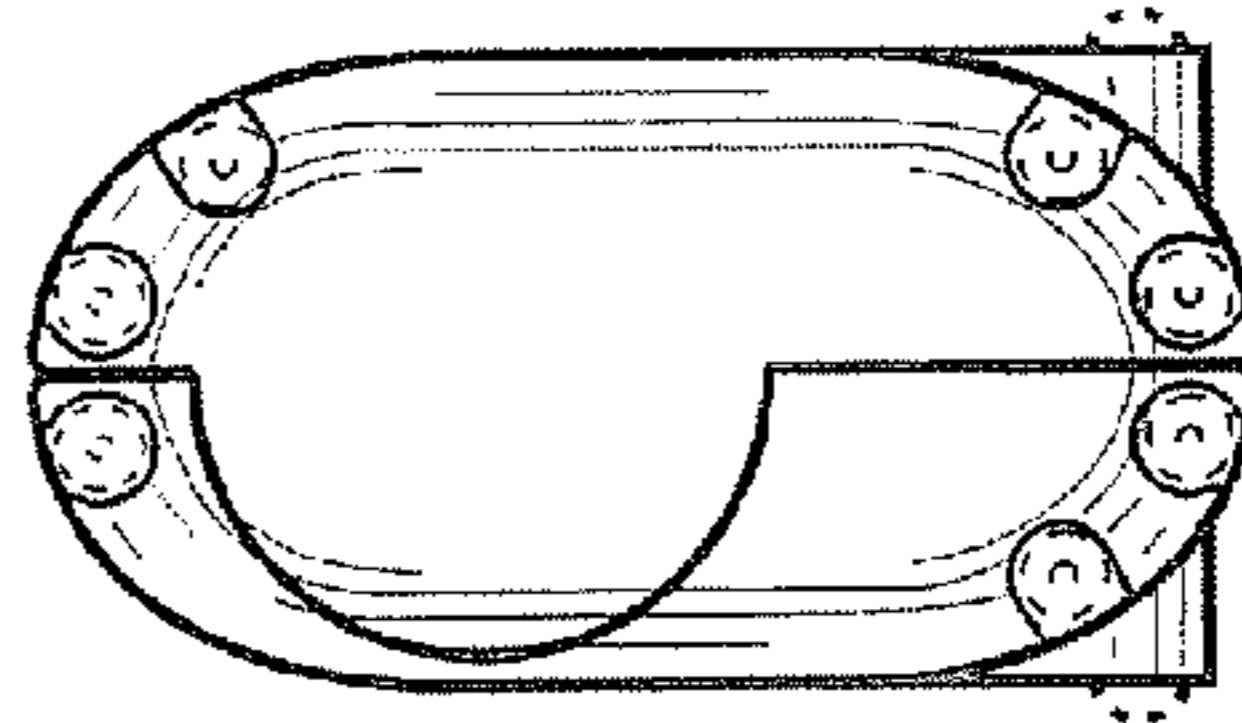


FIG. 7

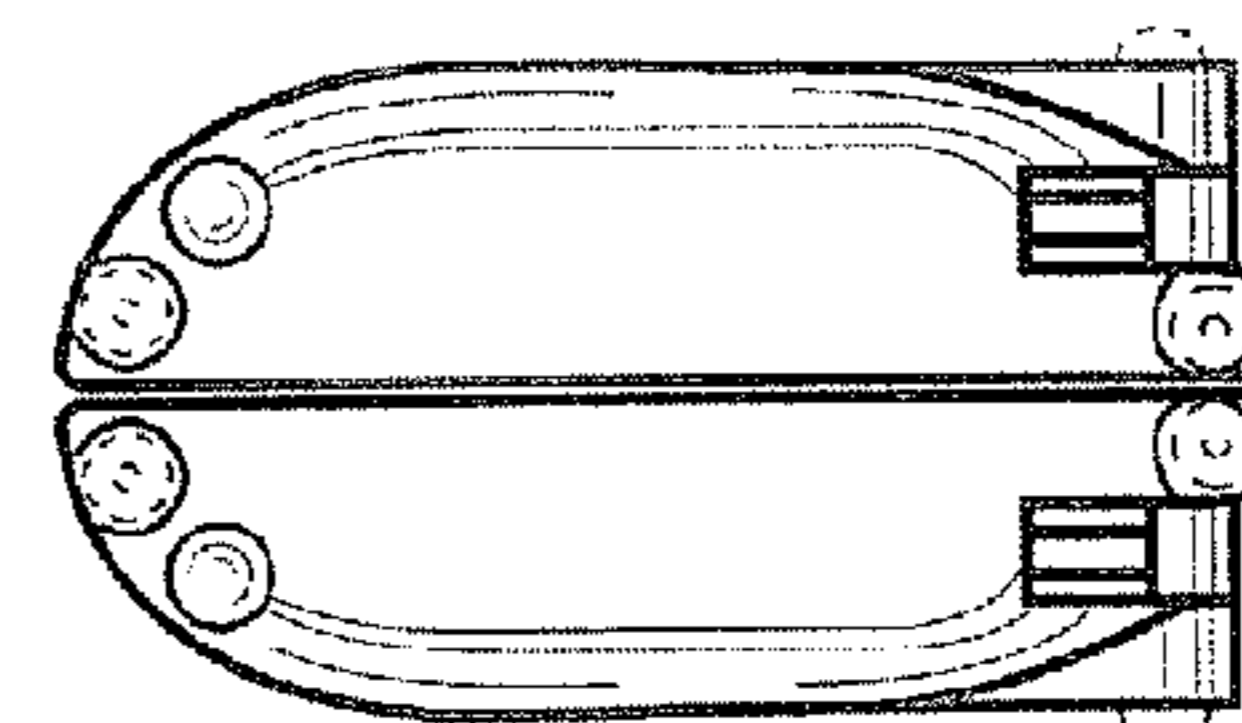


FIG. 6

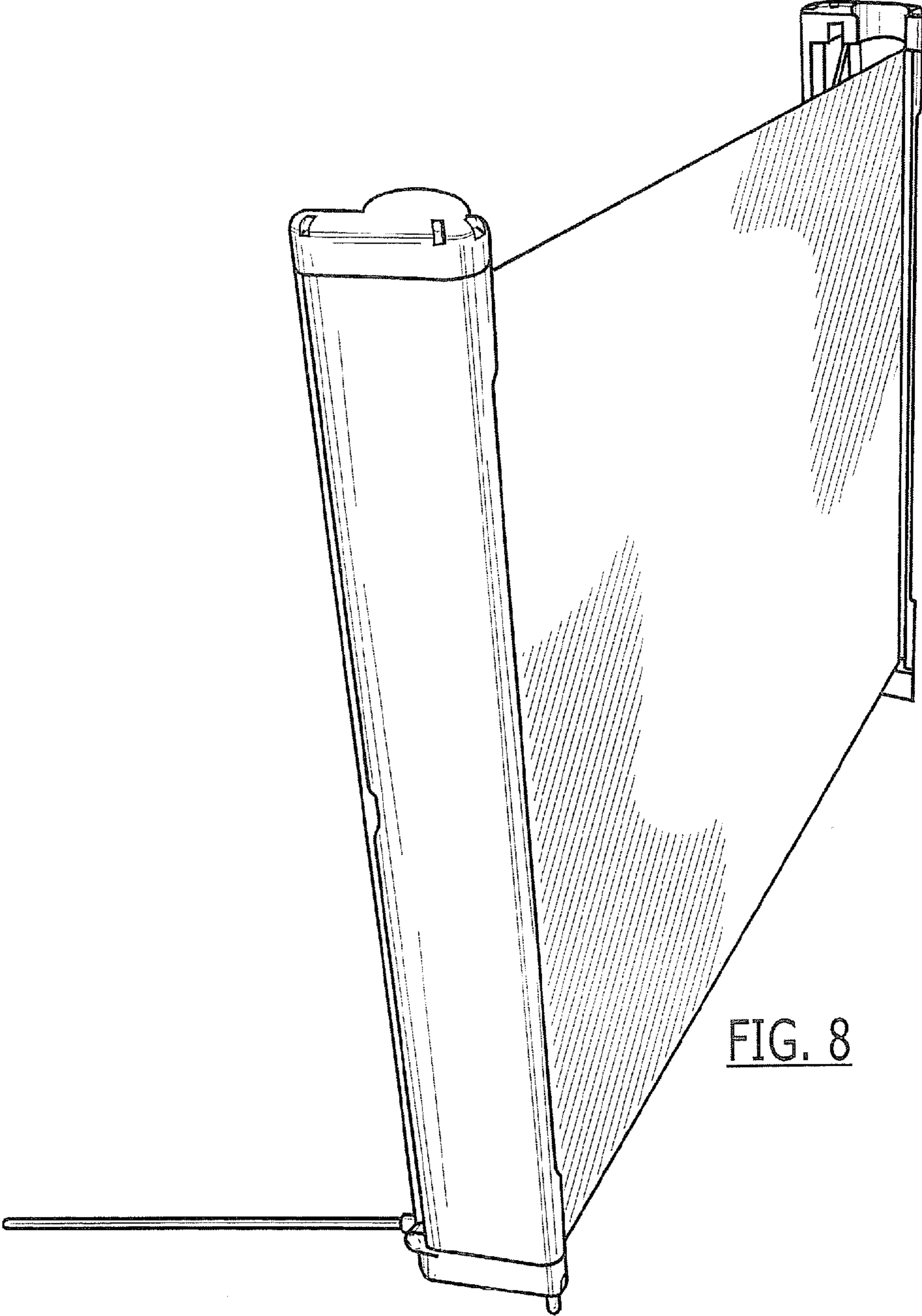


FIG. 8

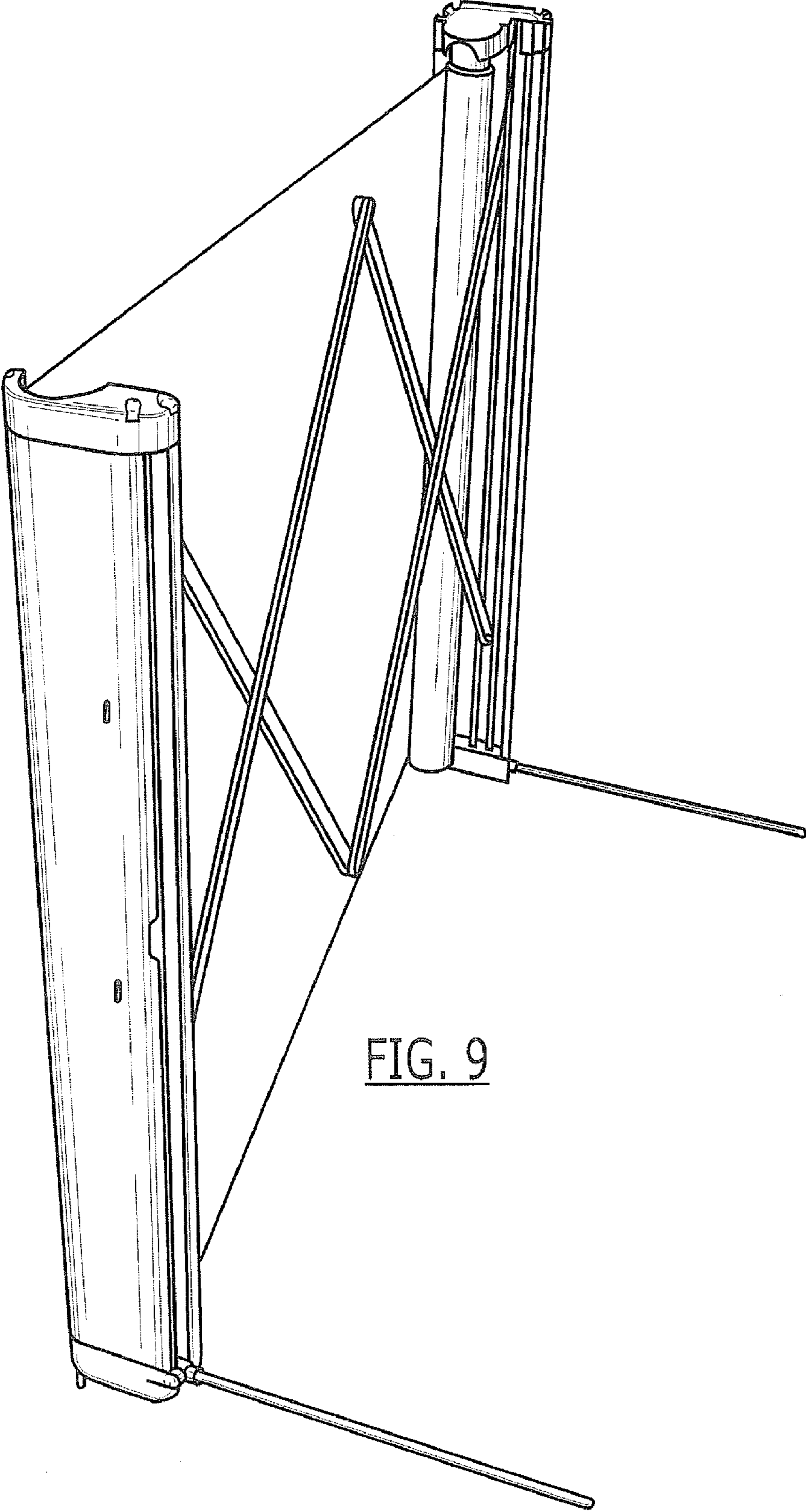


FIG. 9

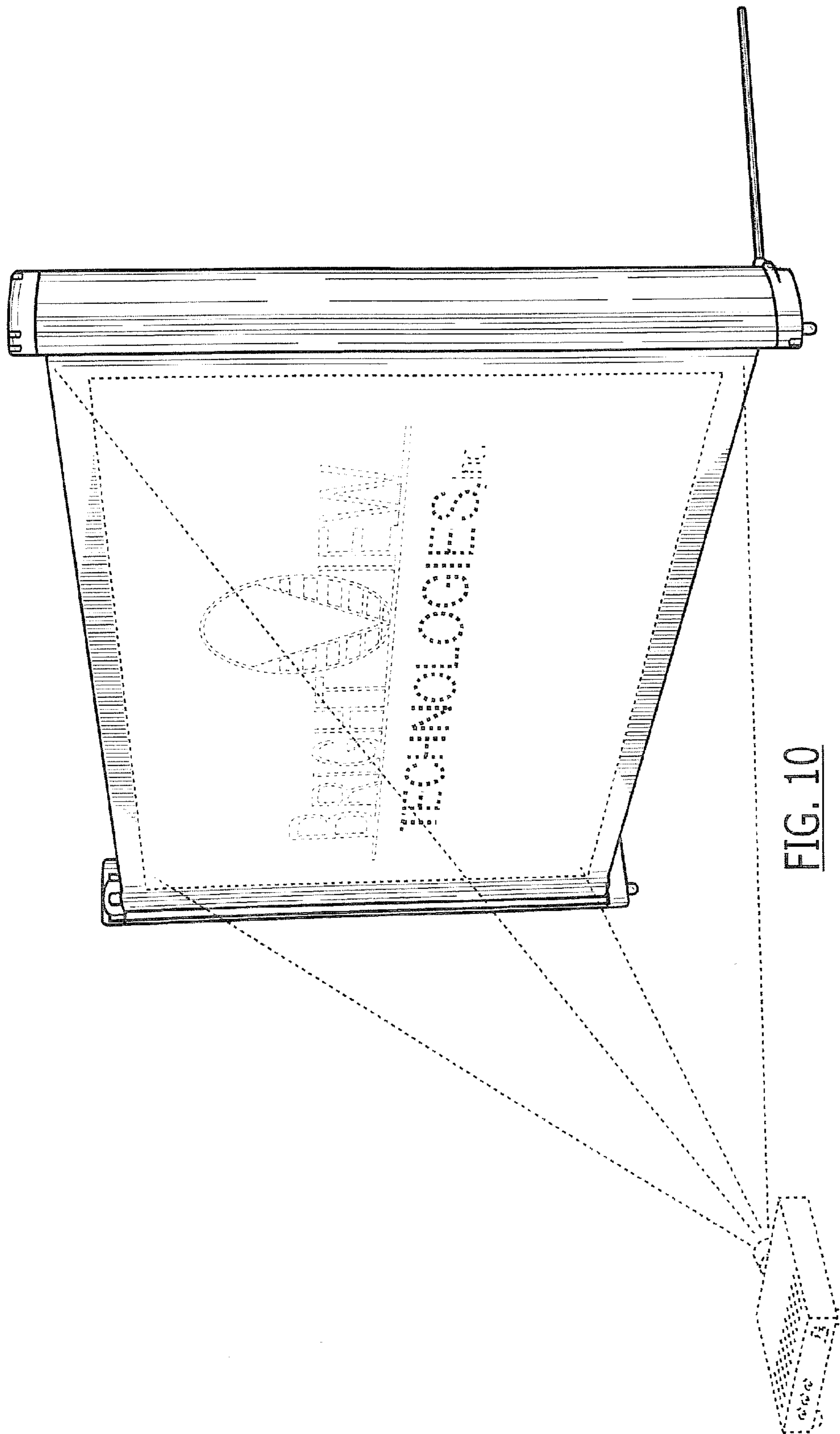


FIG. 10

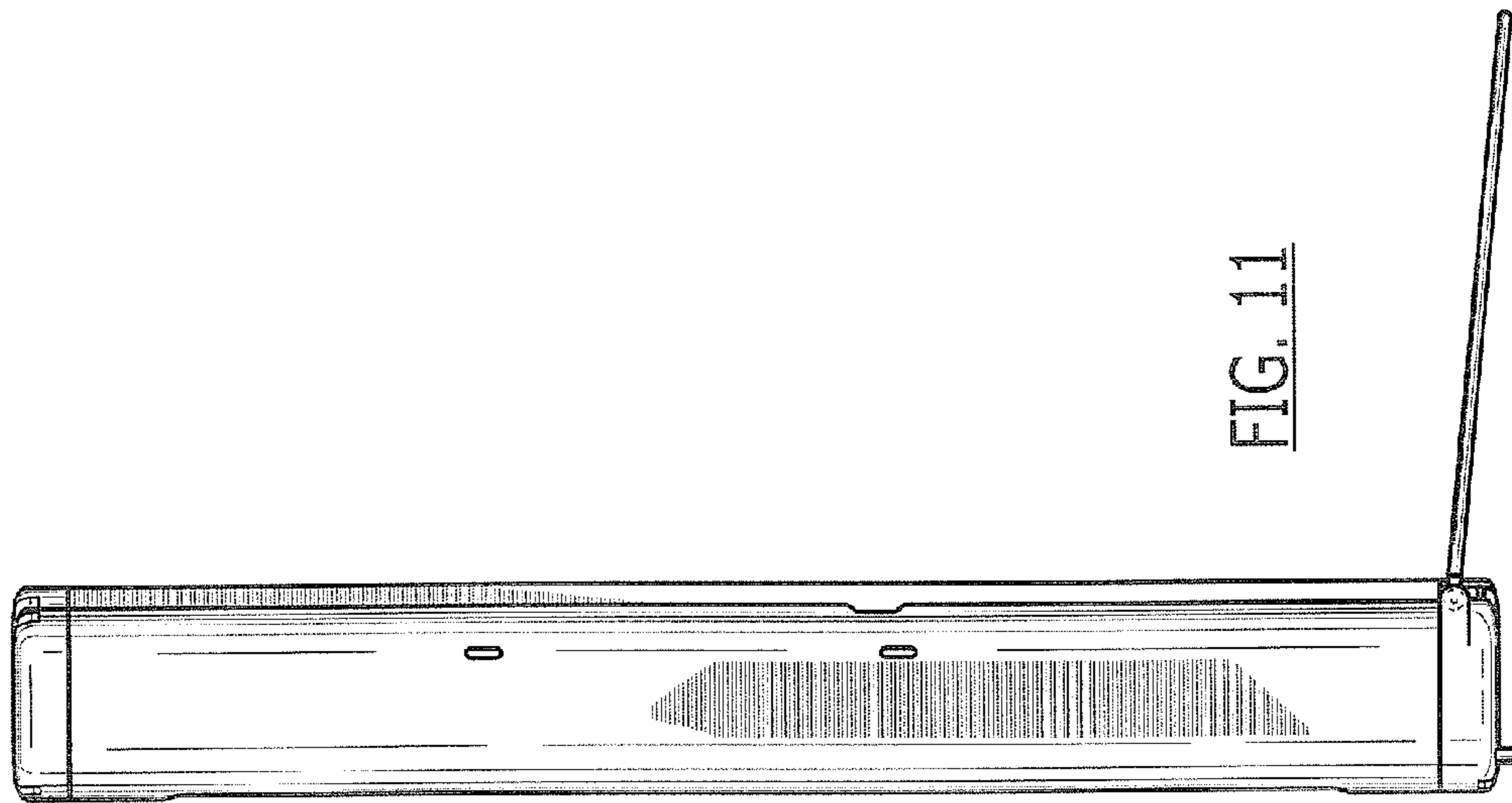


FIG. 11

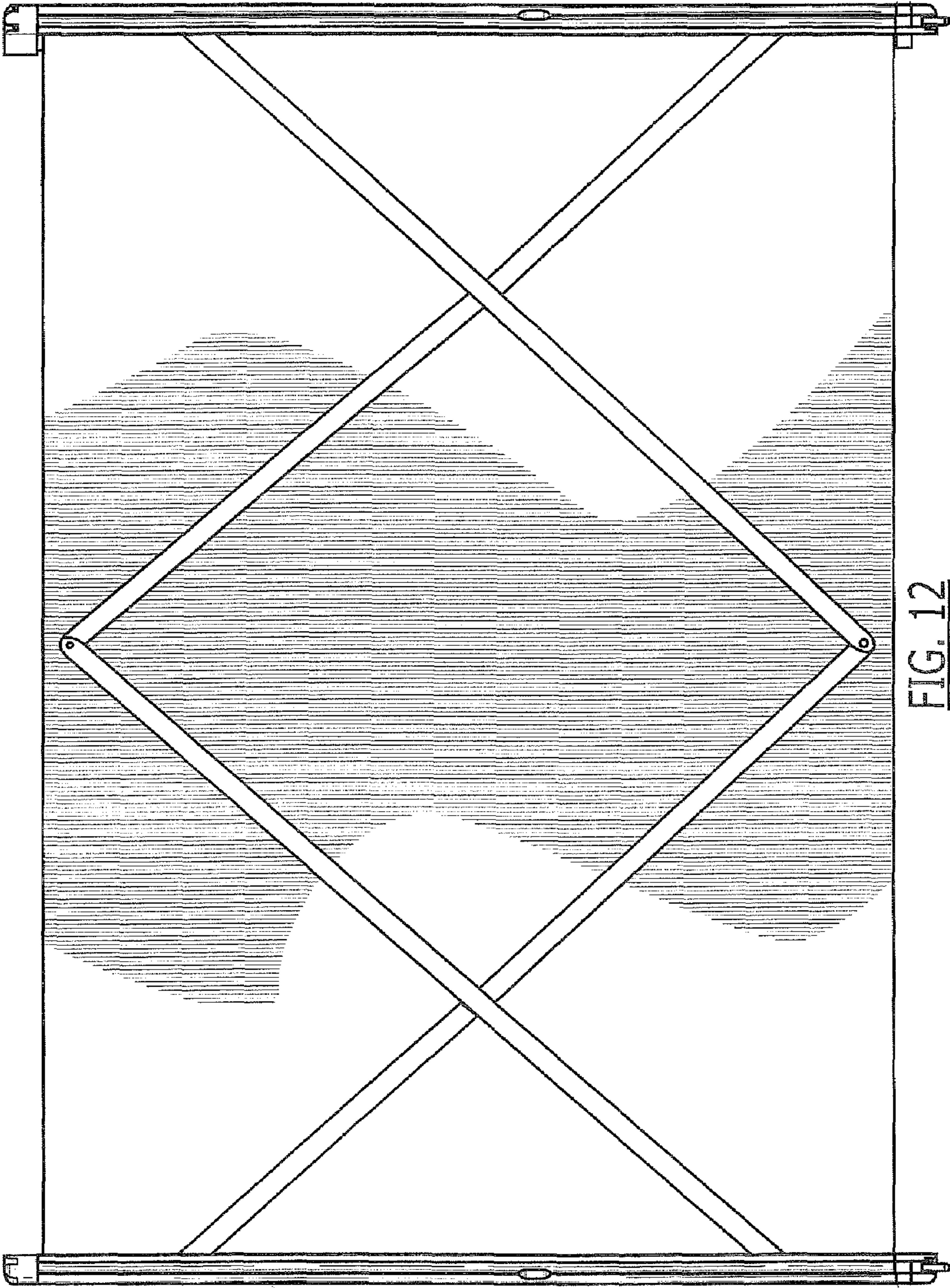


FIG. 12

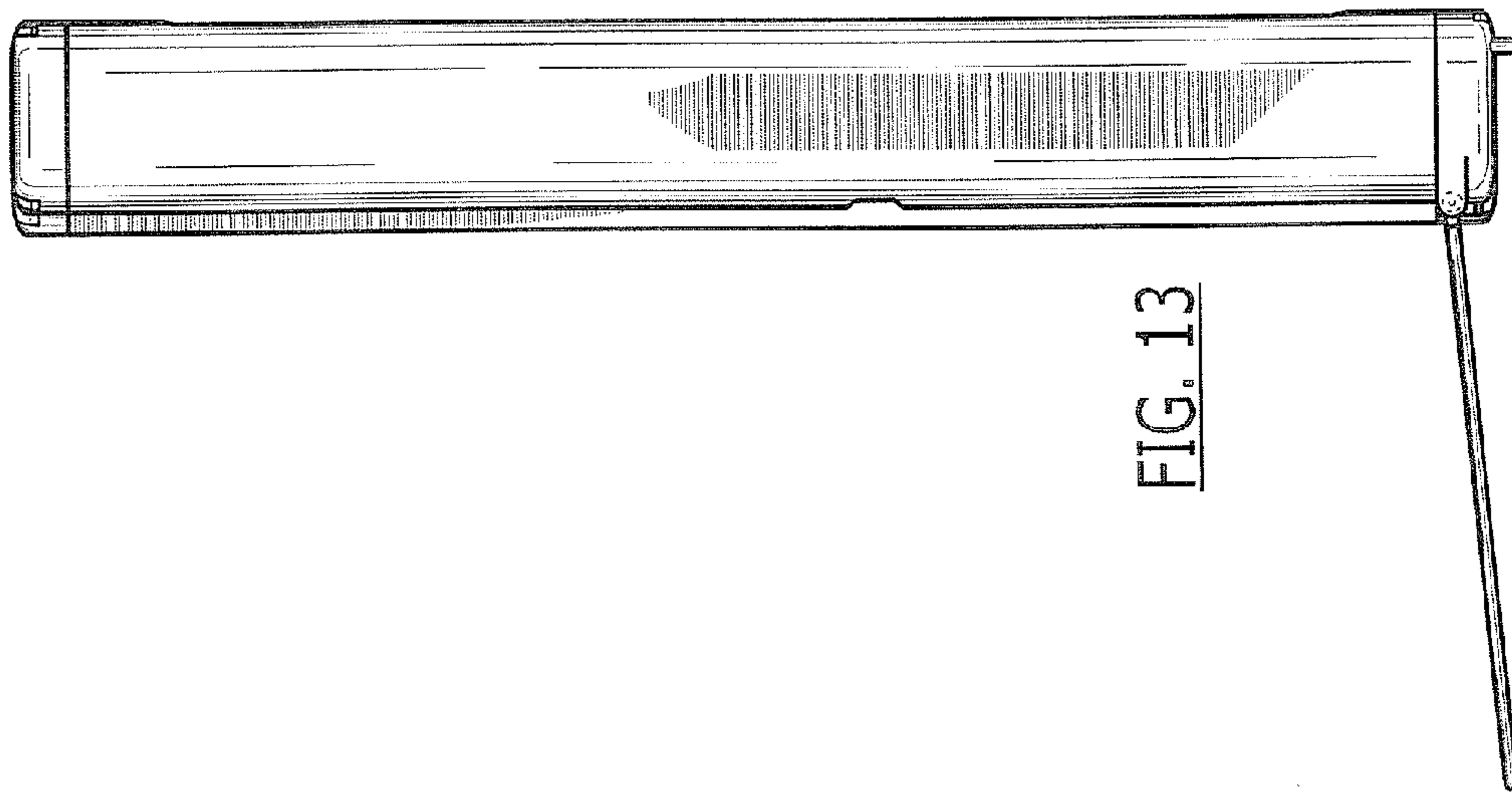


FIG. 13

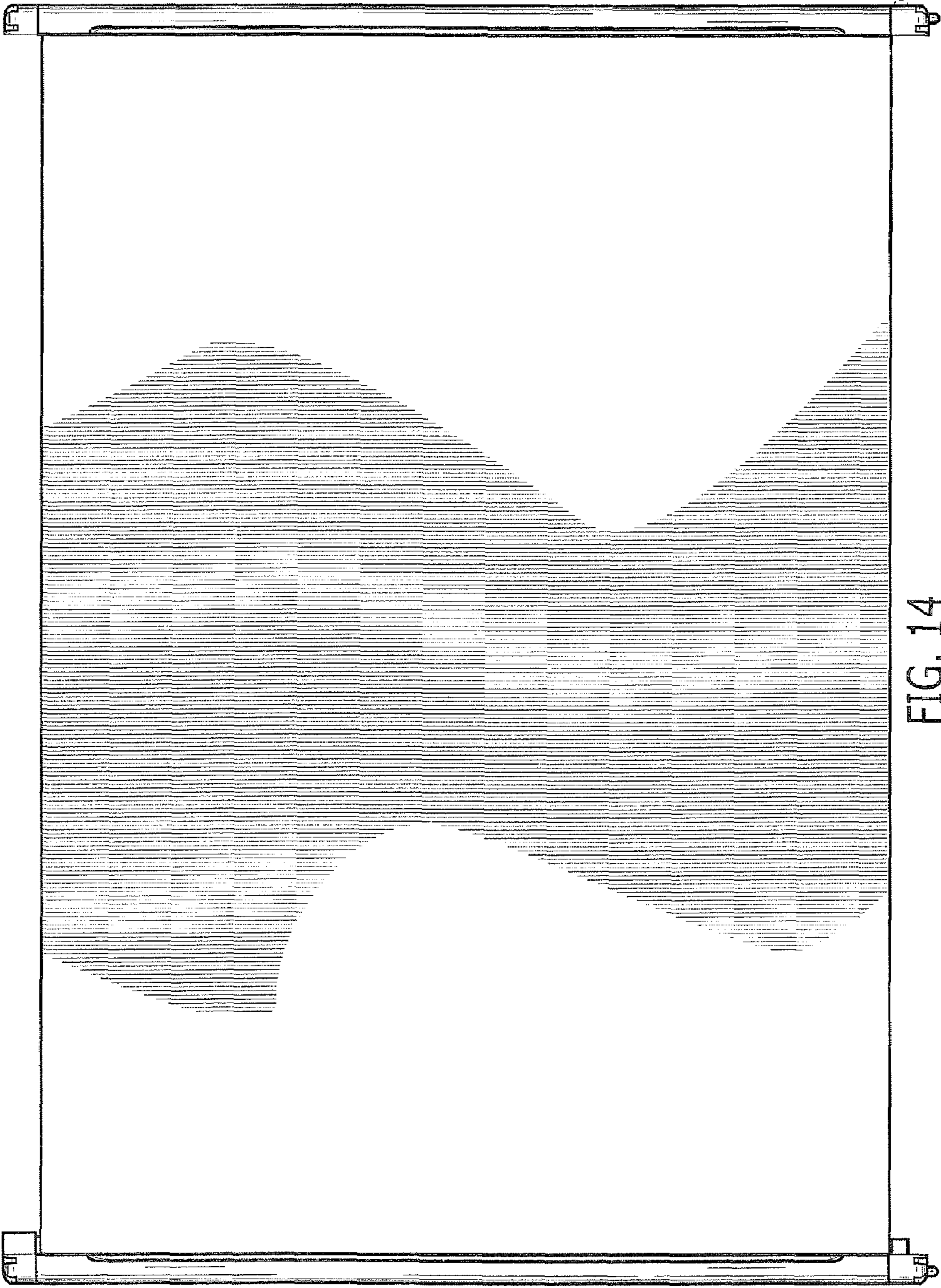


FIG. 14

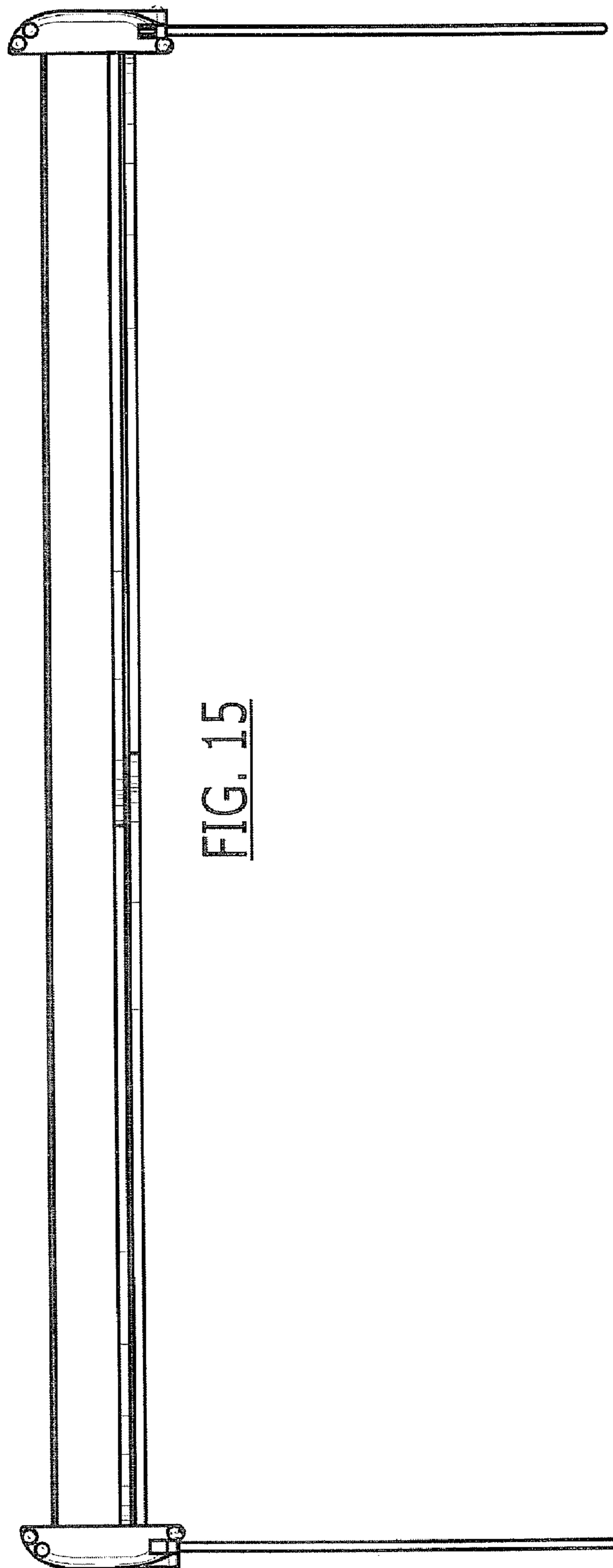


FIG. 15

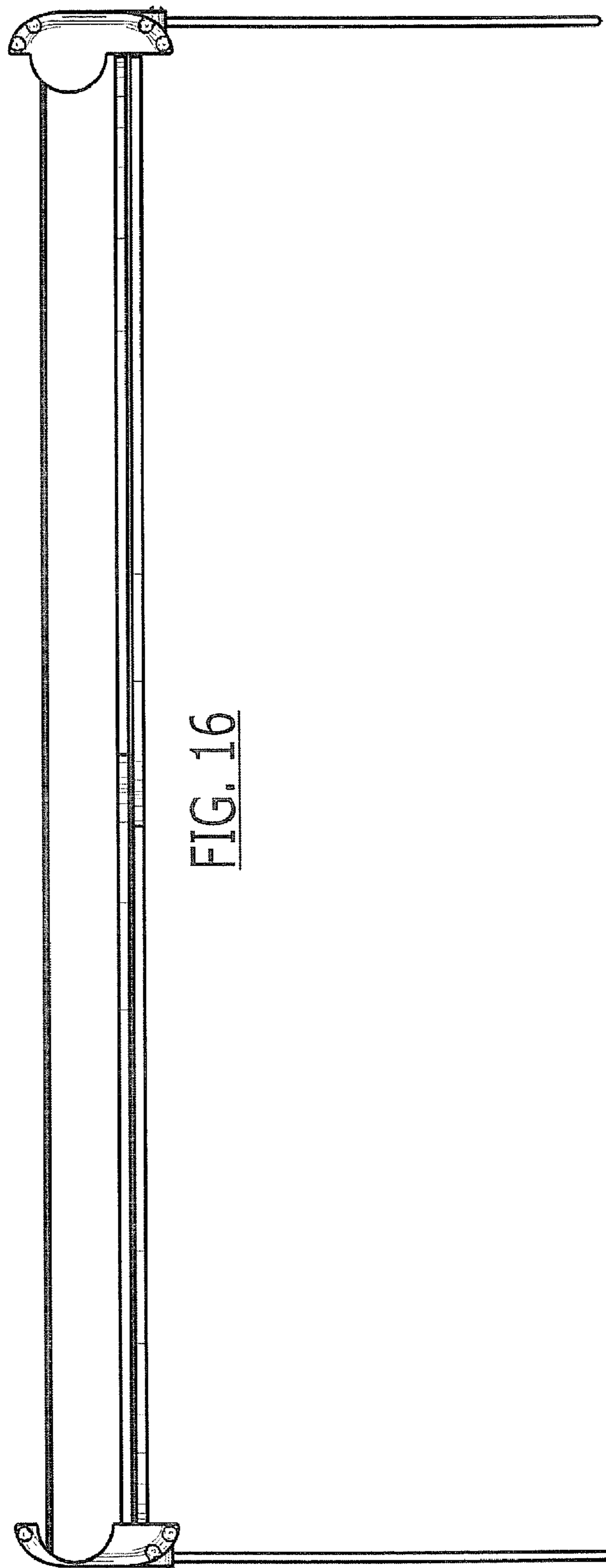


FIG. 16