



US00D594892S

(12) **United States Design Patent**
Kamiya et al.

(10) **Patent No.:** **US D594,892 S**
(45) **Date of Patent:** **** Jun. 23, 2009**

(54) **DIGITAL CAMERA**

(75) Inventors: **Susumu Kamiya**, Kawasaki (JP);
Yosuke Nagayama, Tokyo (JP)

(73) Assignee: **Casio Keisanki Kabushiki Kaisha**,
Tokyo (JP)

(**) Term: **14 Years**

(21) Appl. No.: **29/318,720**

(22) Filed: **May 27, 2008**

(51) **LOC (9) Cl.** **16-01**

(52) **U.S. Cl.** **D16/202; D16/206; D16/217**

(58) **Field of Classification Search** **D16/200–206,**
D16/208, 217, 218; 348/373–376; 358/909.1;
396/176–178, 535–541

See application file for complete search history.

(56) **References Cited**

U.S. PATENT DOCUMENTS

D425,095 S *	5/2000	Watarai et al.	D16/217
D444,163 S *	6/2001	Yoshida	D16/202
D493,809 S *	8/2004	Ogura	D16/202
D558,808 S *	1/2008	Nakamura	D16/202
D565,623 S *	4/2008	Yasutomi	D16/206
D567,835 S *	4/2008	Sumita	D16/206
D568,363 S *	5/2008	Funakoshi	D16/217
D570,891 S *	6/2008	Miyahara et al.	D16/202
D579,039 S *	10/2008	Nakamura	D16/202

2006/0072916 A1* 4/2006 Liu 396/177
* cited by examiner

Primary Examiner—Adir Aronovich
(74) *Attorney, Agent, or Firm*—Frishauf, Holtz, Goodman &
Chick, P.C.

(57) **CLAIM**

The ornamental design for a digital camera, as shown and described.

DESCRIPTION

FIG. 1 is a front, right side, top perspective view of a digital camera showing our new design;

FIG. 2 is a front elevational view thereof;

FIG. 3 is a rear elevational view thereof;

FIG. 4 is a left side elevational view thereof;

FIG. 5 is a right side elevational view thereof;

FIG. 6 is a top plan view thereof;

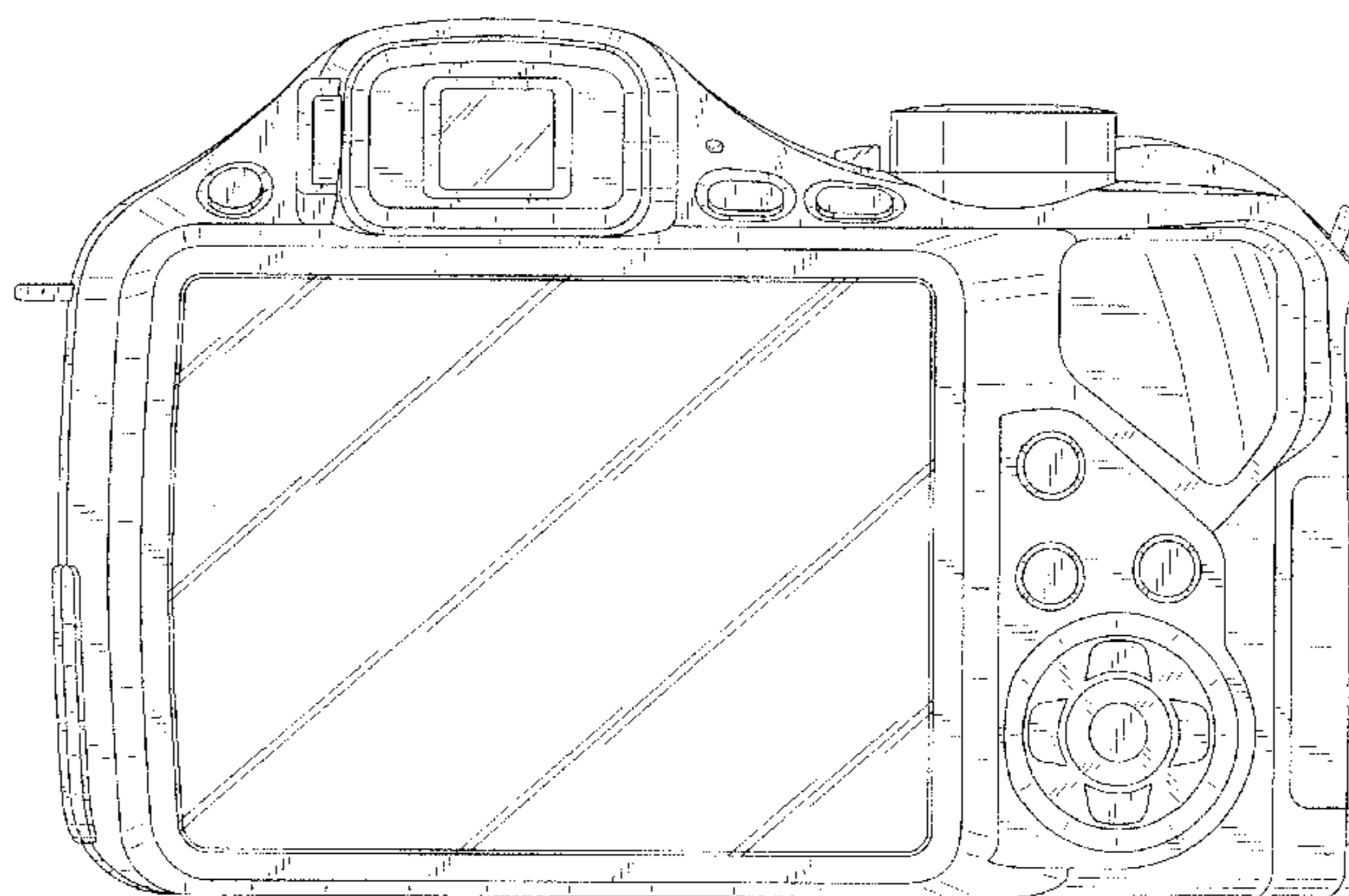
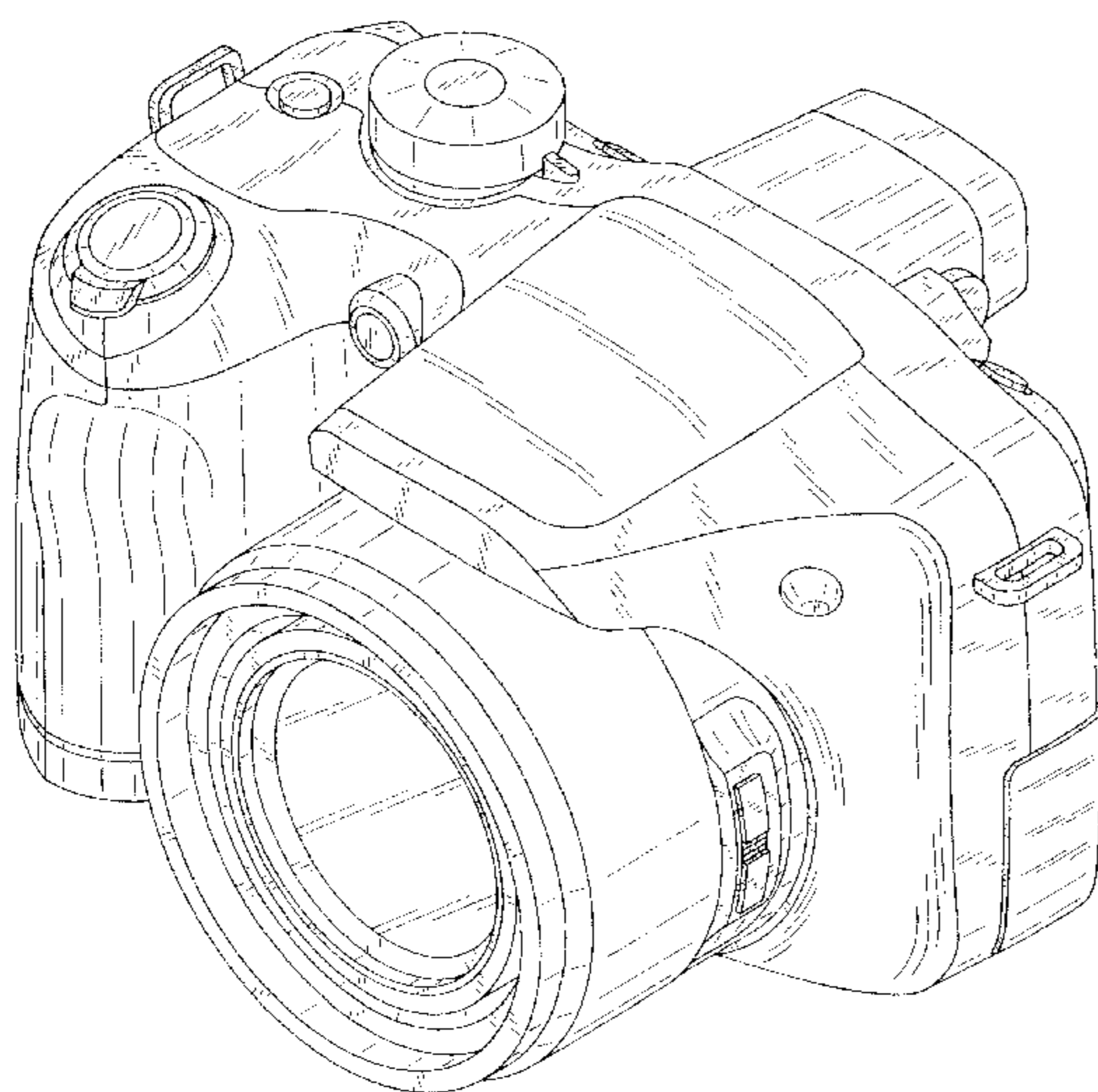
FIG. 7 is a bottom plan view thereof;

FIG. 8 is a front elevational view thereof, with a flash lamp portion shown in upright position;

FIG. 9 is a right side elevational view thereof, with a flash lamp portion shown in upright position; and,

FIG. 10 is a perspective view thereof showing a zoom lens extended.

1 Claim, 10 Drawing Sheets



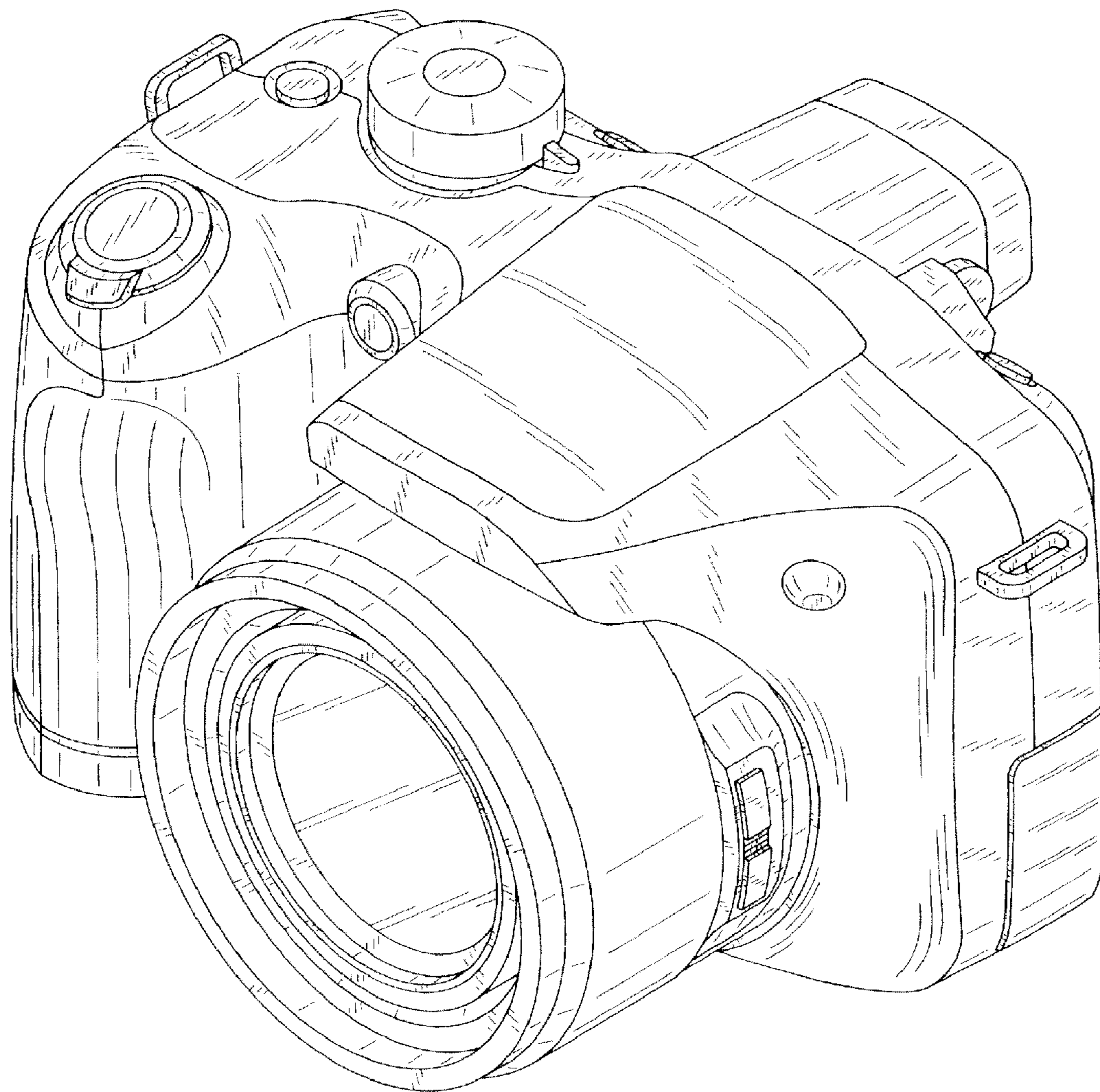


FIG. 1

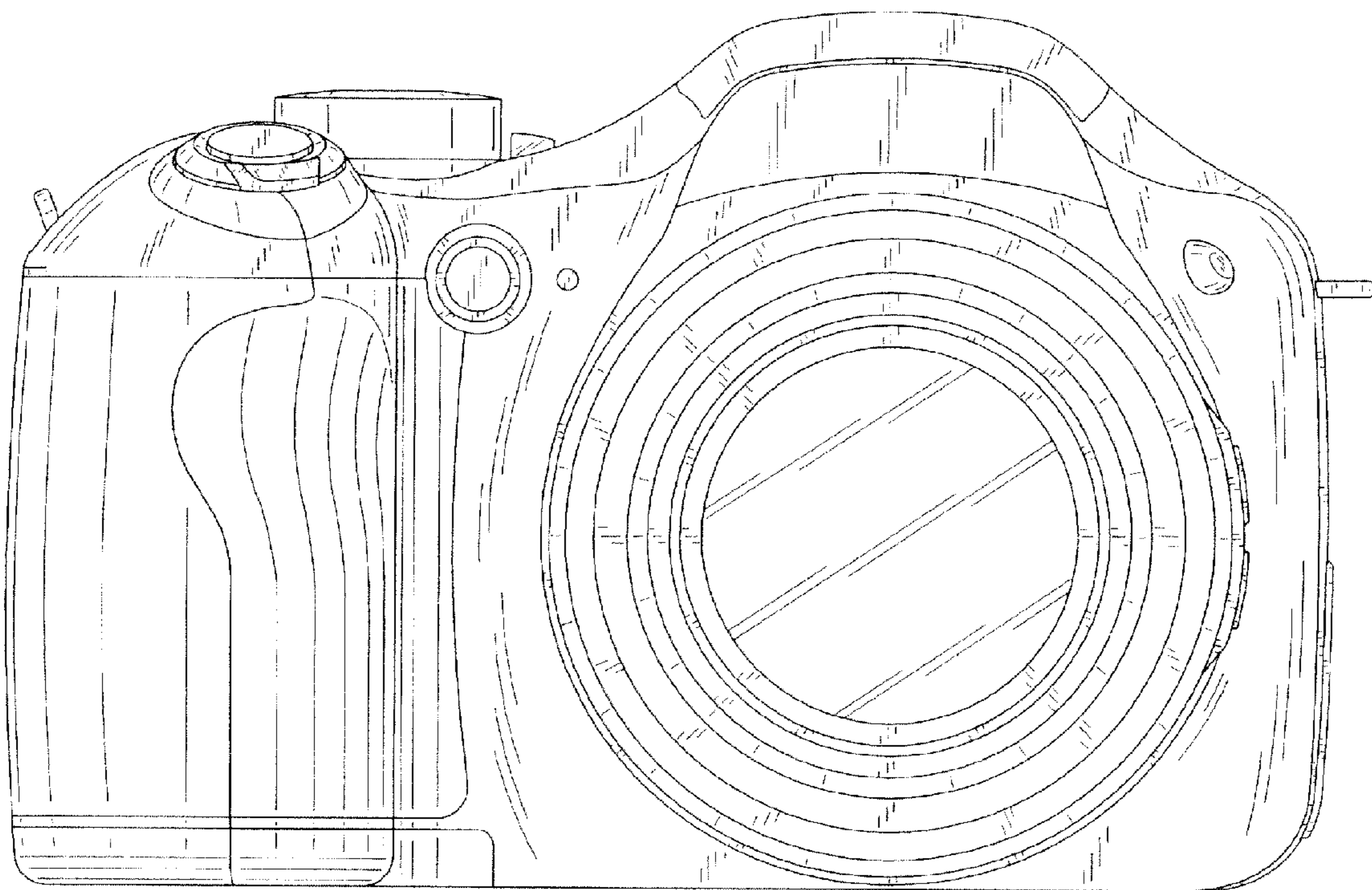


FIG. 2

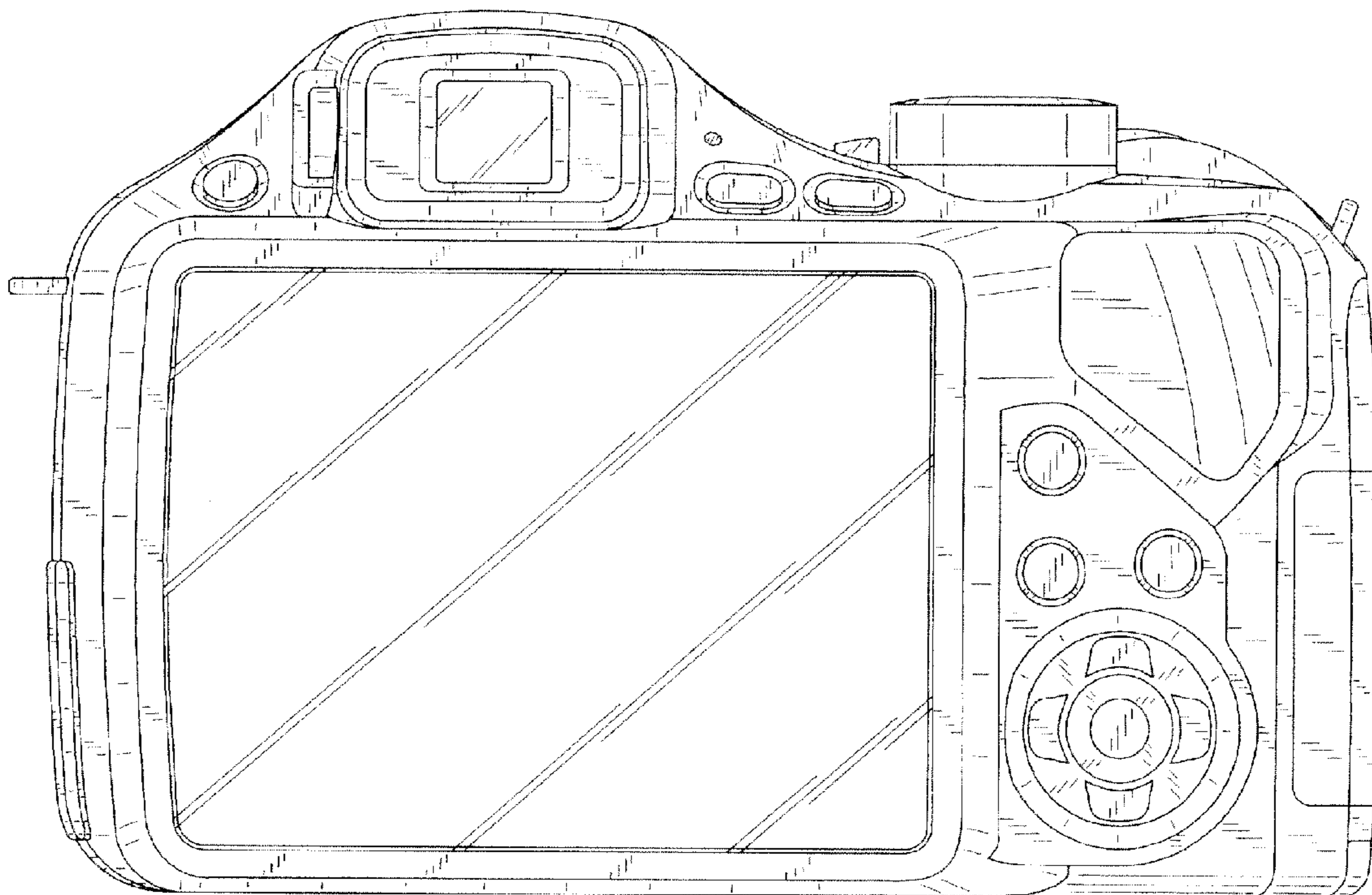


FIG. 3

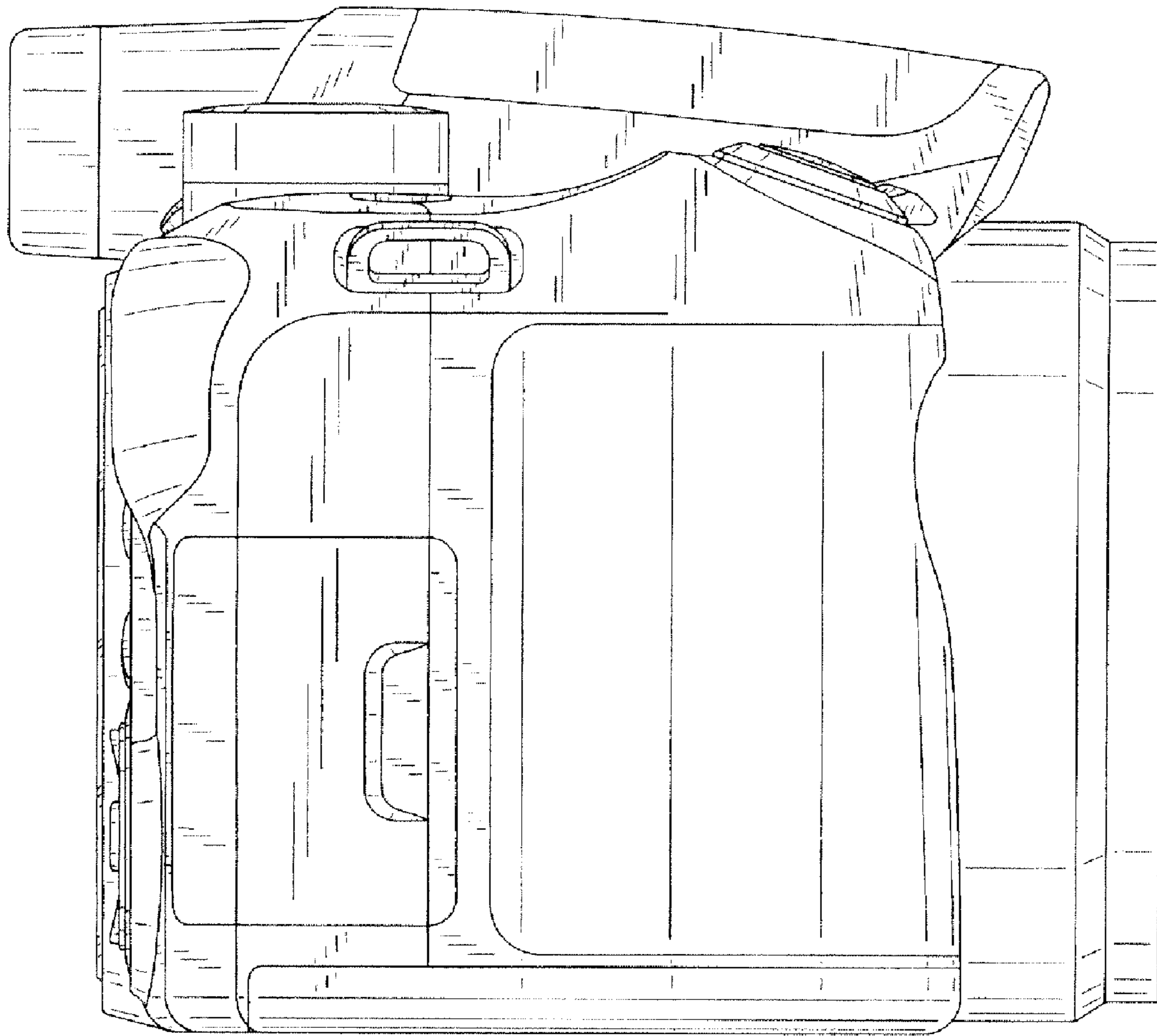


FIG. 4

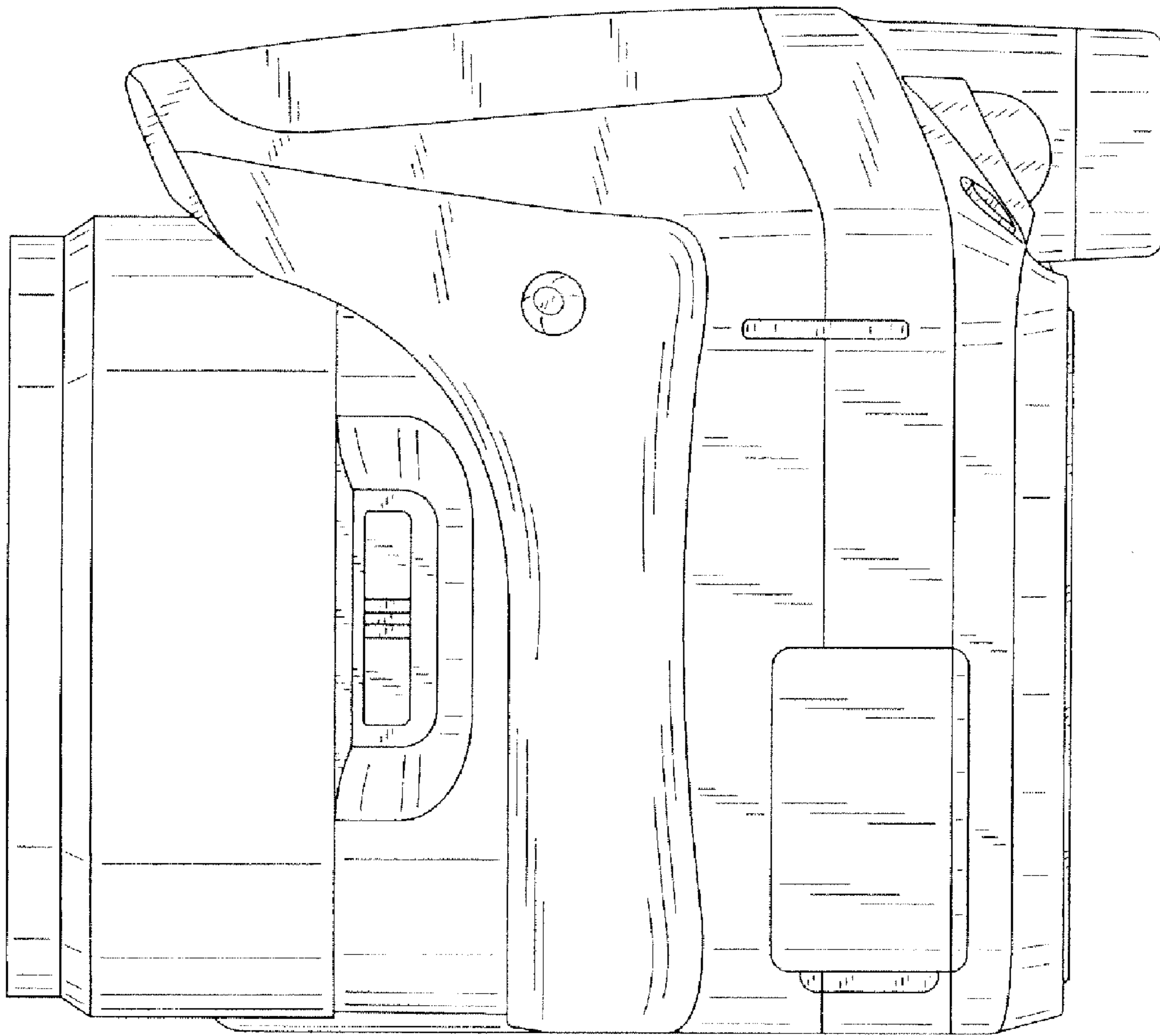


FIG. 5

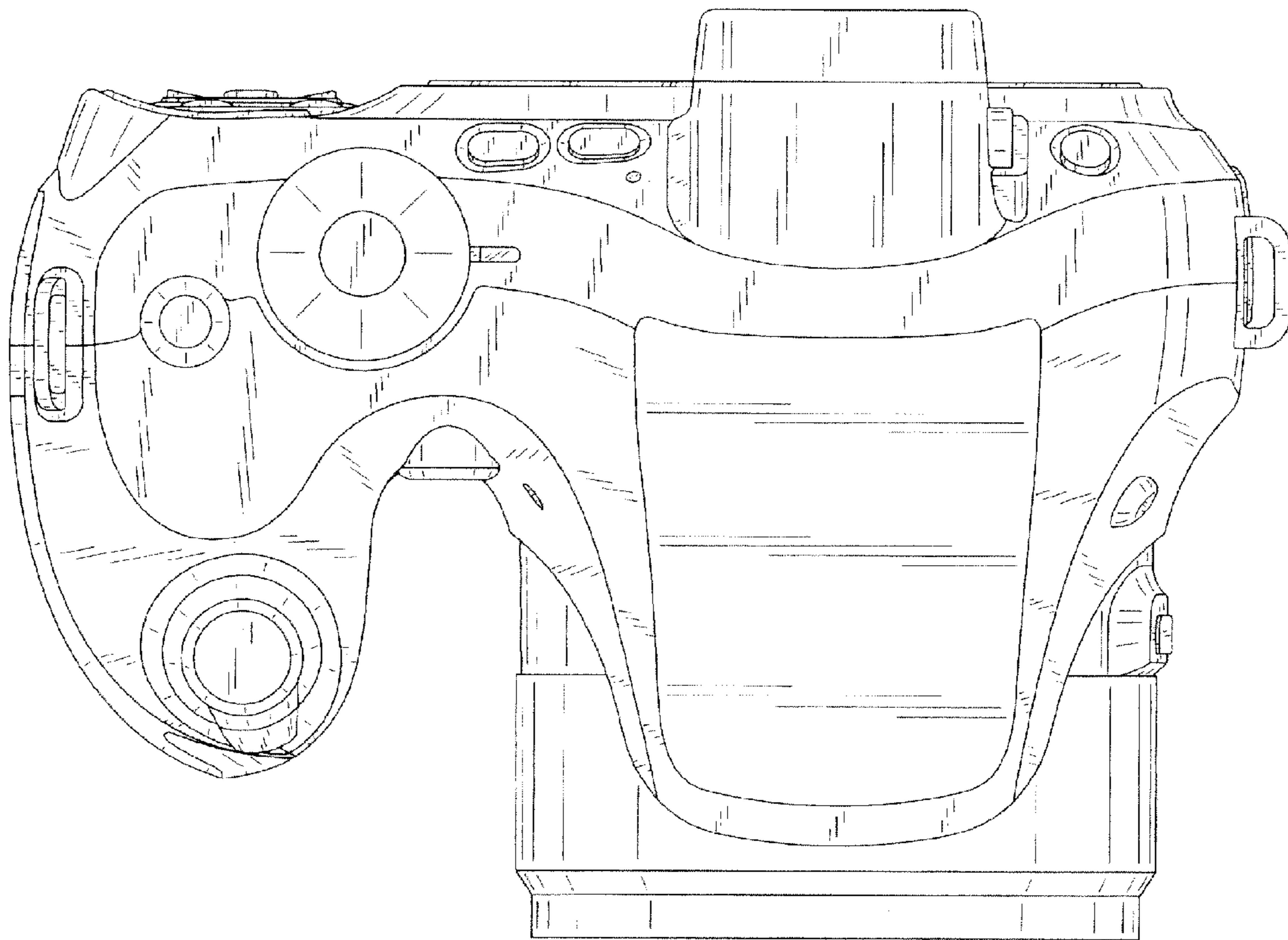


FIG. 6

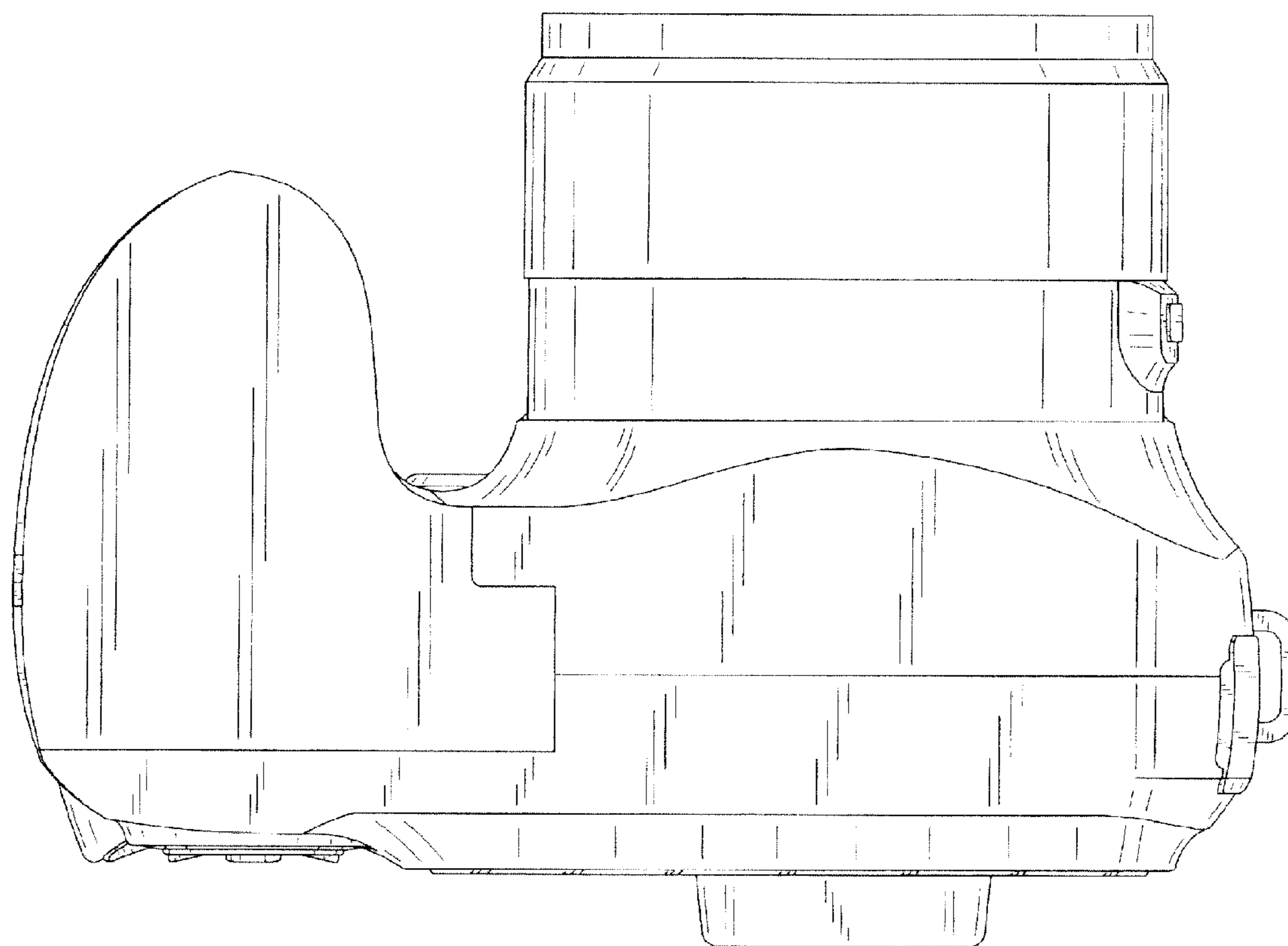


FIG. 7

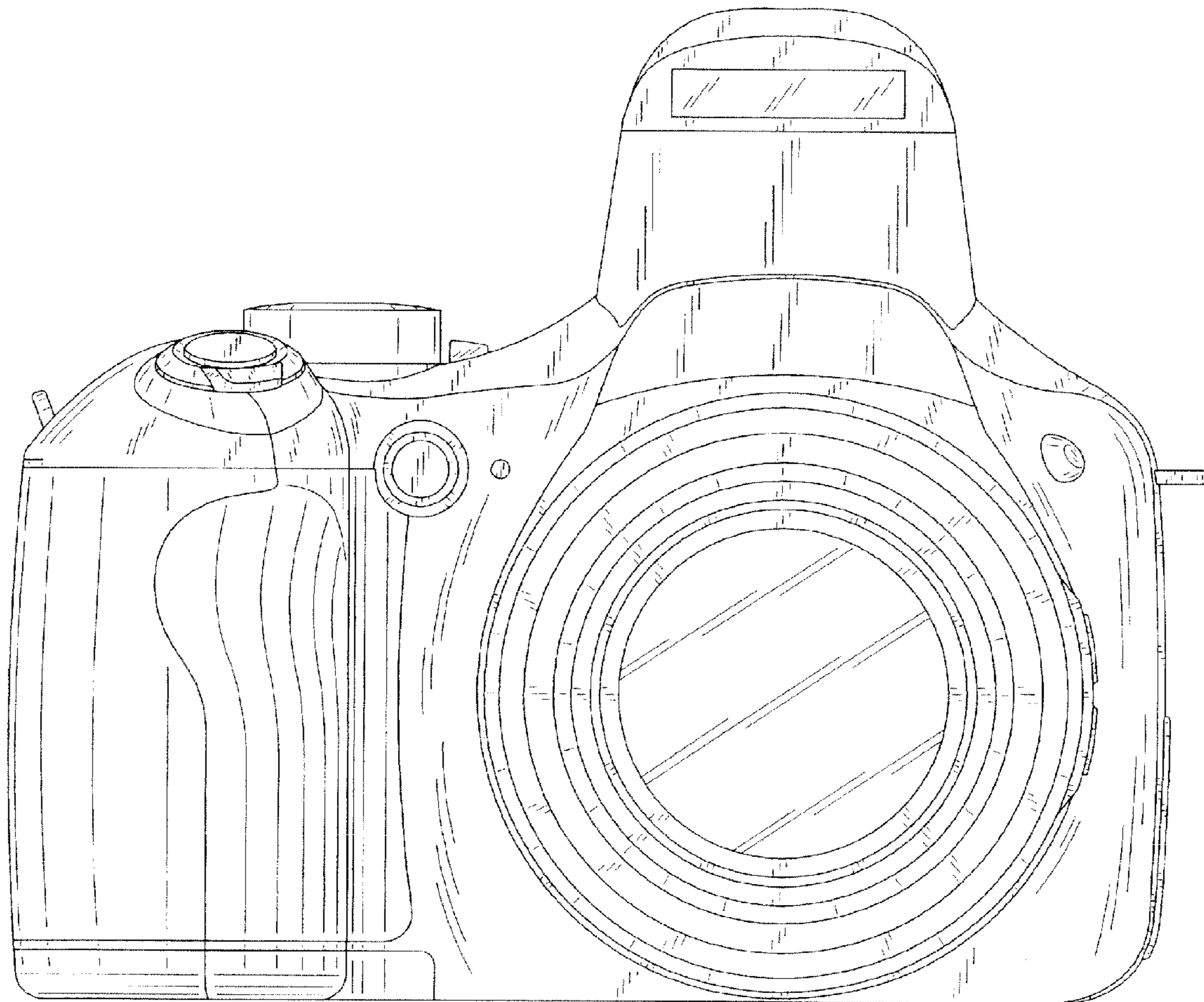


FIG. 8

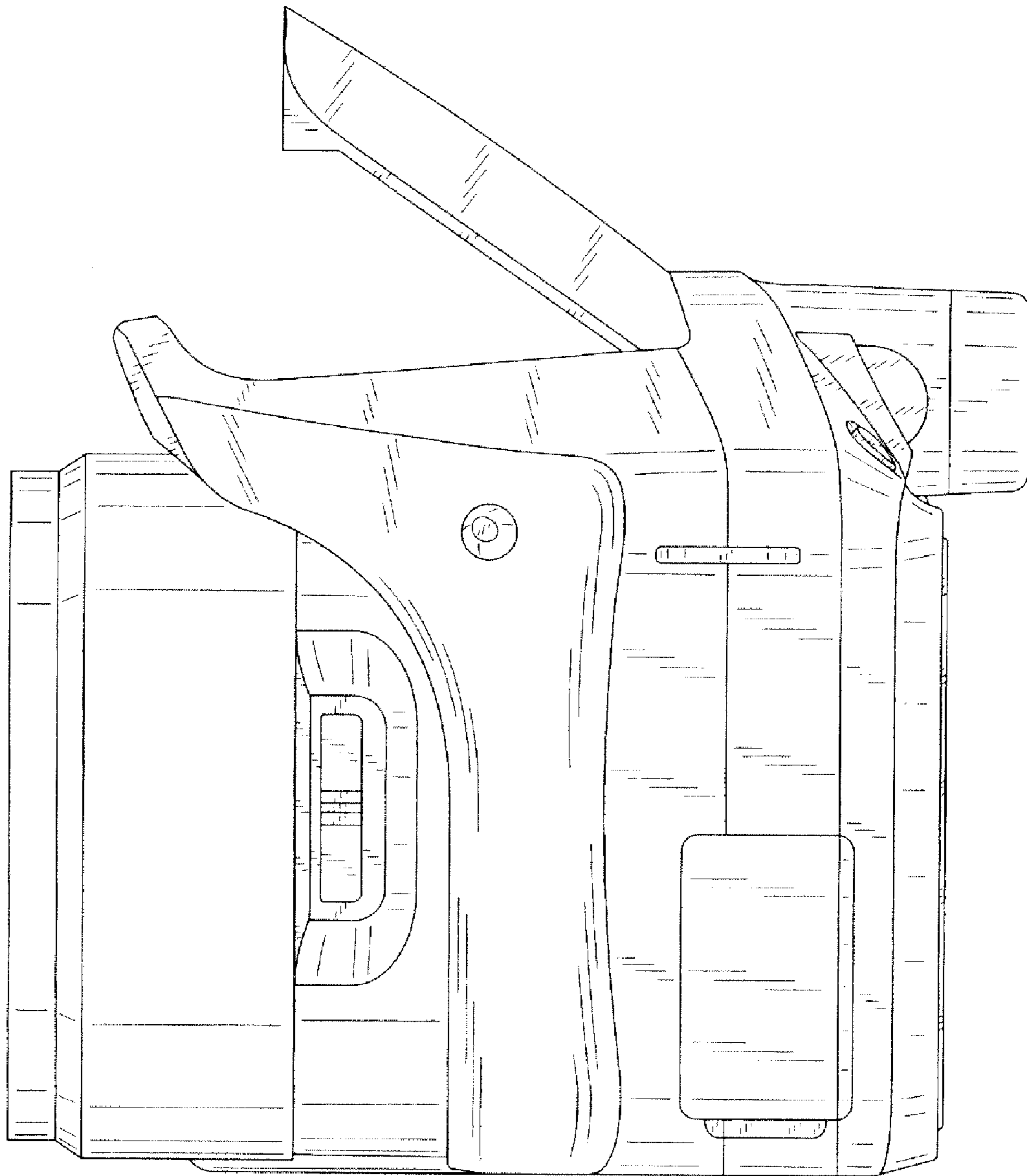


FIG. 9

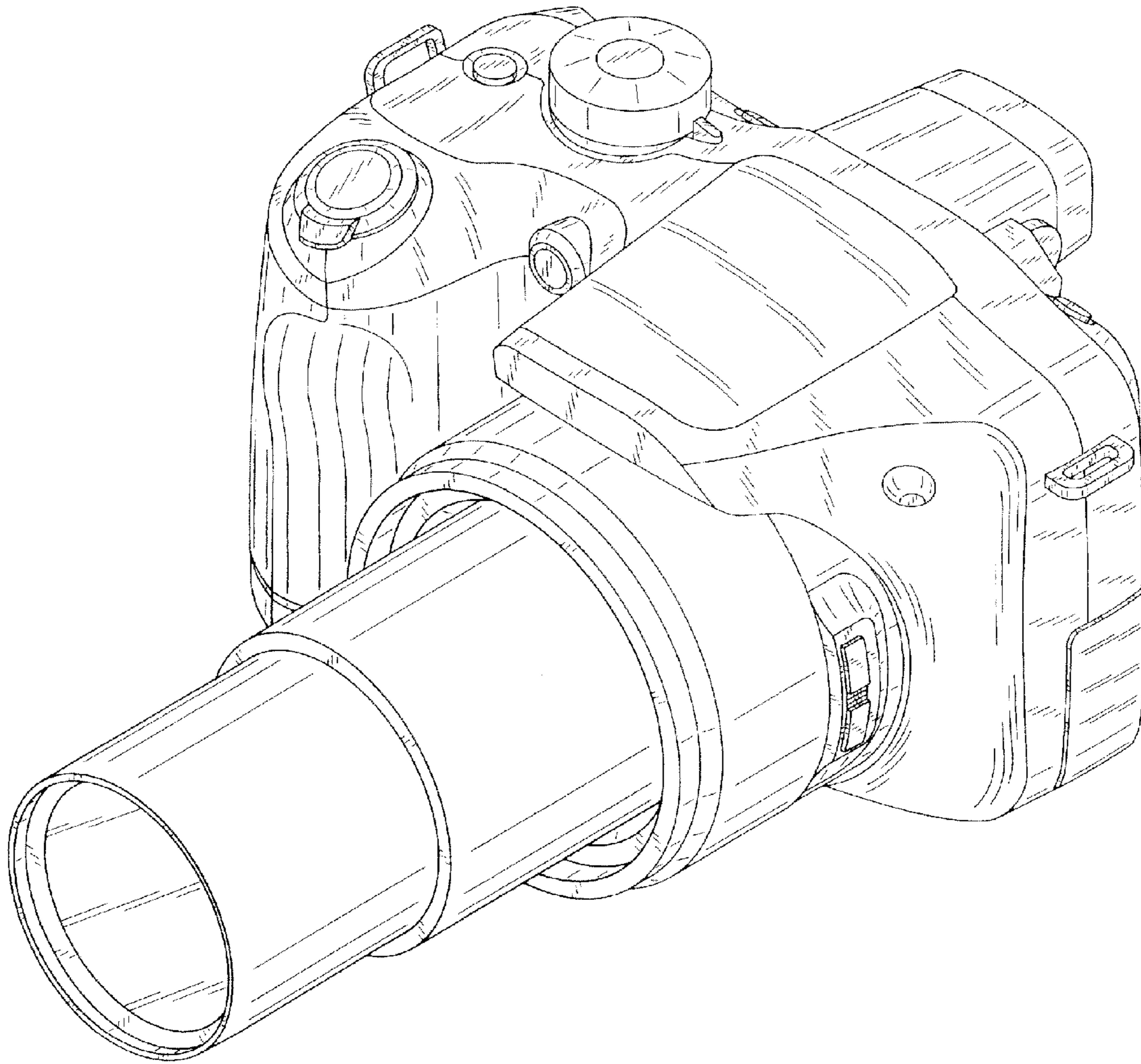


FIG. 10