

US00D594891S

(12) **United States Design Patent**  
**Kaplan et al.**

(10) **Patent No.:** **US D594,891 S**  
(45) **Date of Patent:** **\*\* \*Jun. 23, 2009**

(54) **DIGITAL PHOTOGRAPHY DEVICE**

D570,890 S \* 6/2008 Yoneya et al. .... D16/202

(75) Inventors: **Jonathan Kaplan**, San Francisco, CA (US); **Ariel Braunstein**, San Francisco, CA (US); **Simon Flemingwood**, Oakland, CA (US); **John Furlan**, Belmont, CA (US); **Robert Evans**, San Francisco, CA (US)

**OTHER PUBLICATIONS**

DPreview.com, "Single-Use Digital - a good thing?", Digital Photography Review™, <http://www.dpreview.com/news/0307/03073101dakotadigital.asp>, Jul. 31, 2003, pp. 1-2.

(Continued)

(73) Assignee: **Pure Digital Technologies, Inc.**, San Francisco, CA (US)

*Primary Examiner*—Ian Simmons  
*Assistant Examiner*—Wan Laymon  
(74) *Attorney, Agent, or Firm*—Rutan & Tucker, LLP

(\*) Notice: This patent is subject to a terminal disclaimer.

(57) **CLAIM**

(\*\*) Term: **14 Years**

The ornamental design for a digital photography device, as shown and described.

(21) Appl. No.: **29/242,793**

**DESCRIPTION**

(22) Filed: **Nov. 14, 2005**

(51) **LOC (9) Cl.** ..... **16-01**

(52) **U.S. Cl.** ..... **D16/202; D16/218**

(58) **Field of Classification Search** ..... D16/200–206,  
D16/219, 208–209, 217, 242, 244–245, 218;  
D21/514; 248/373–376; 358/906, 909.1;  
396/427, 535–541, 6; 348/143, 373–376;  
352/242

See application file for complete search history.

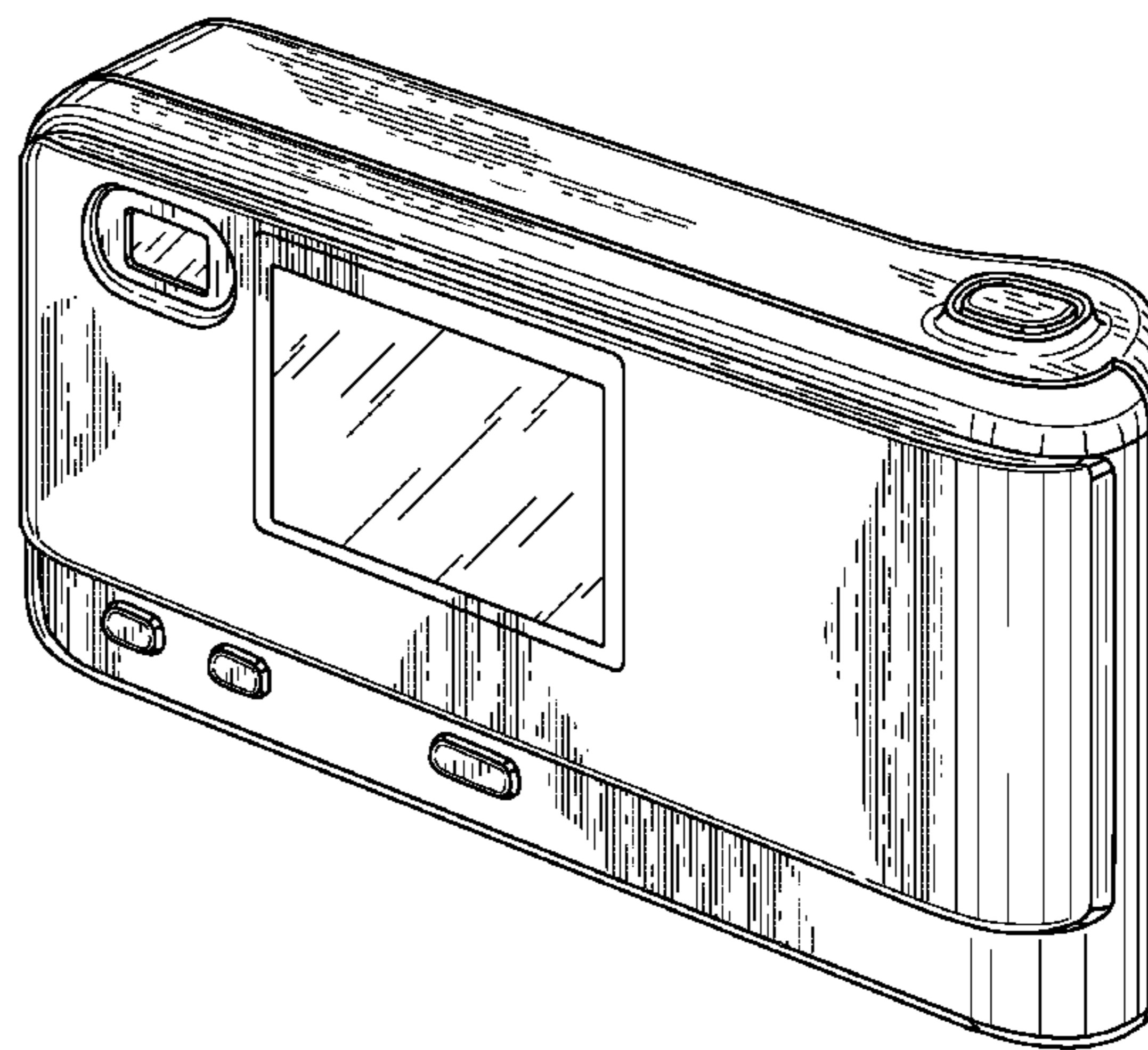
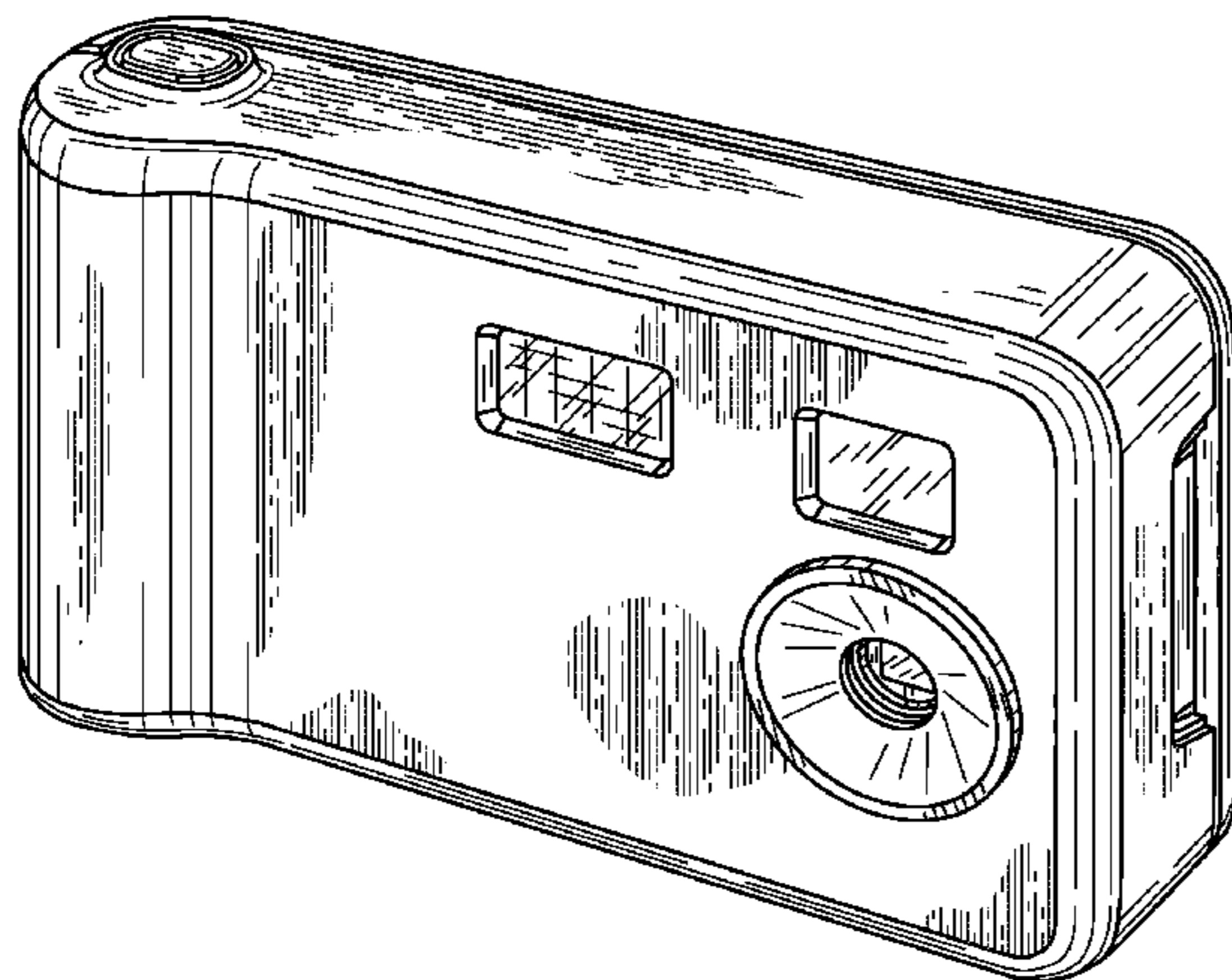
FIG. 1 is a front perspective view of a digital photography device showing our new design;  
FIG. 2 is a back perspective view thereof;  
FIG. 3 is a front view thereof;  
FIG. 4 is a back view thereof;  
FIG. 5 is a left side view thereof;  
FIG. 6 is a right side view thereof;  
FIG. 7 is a top side view thereof;  
FIG. 8 is a bottom side view thereof;  
FIG. 9 is a front perspective view of a second embodiment of a digital photography device;  
FIG. 10 is a back perspective view of FIG. 9 thereof;  
FIG. 11 is a front view of FIG. 9 thereof;  
FIG. 12 is a back view of FIG. 9 thereof;  
FIG. 13 is a left side view of FIG. 9 thereof;  
FIG. 14 is a right side view of FIG. 9 thereof;  
FIG. 15 is a top side view of FIG. 9 thereof; and,  
FIG. 16 is a bottom side view of FIG. 9 thereof.

(56) **References Cited**

**U.S. PATENT DOCUMENTS**

D404,752 S *	1/1999	Lin	.....	D16/218
D427,222 S *	6/2000	Chieh	.....	D16/209
6,118,941 A *	9/2000	Sugiyama	.....	396/6
D431,583 S *	10/2000	Matsuda	.....	D16/202
D440,591 S *	4/2001	Nasu	.....	D16/209
D462,705 S *	9/2002	Hamamura	.....	D16/202
D475,073 S *	5/2003	Omino	.....	D16/202
D499,128 S *	11/2004	Martres et al.	.....	D16/218
D528,578 S *	9/2006	Yasutomi	.....	D16/202
D529,940 S *	10/2006	Wani et al.	.....	D16/202
D558,806 S *	1/2008	Nakamura et al.	.....	D16/202
D558,807 S *	1/2008	Horiki et al.	.....	D16/202

**1 Claim, 8 Drawing Sheets**



OTHER PUBLICATIONS

Grace Aquino, PCWorld.com, "Digital Cameras Go Disposable", [http://www.pcworld.com/news/article/0, aid, Aug. 1, 2003, pp. 1-2, plus 1 blown up image of the camera.](http://www.pcworld.com/news/article/0,aid,Aug.1,2003,pp.1-2,plus1blownupimageofthecamera)

Jefferson Graham, USA Today, "A disposable digital camera enters the market at \$19.99", [http://www.usatoday.printthis.clickability.com/pt/cpt?action=cpt&title=USATODAY.com+- +A. . .](http://www.usatoday.printthis.clickability.com/pt/cpt?action=cpt&title=USATODAY.com+-+A...), Find this article at: <http://www.usatoday.com/>

[tech/news/2004-08-18-pure\\_digital\\_x.htm](http://www.usatoday.com/tech/news/2004-08-18-pure_digital_x.htm), Aug. 18, 2004, pp. 1-2, plus 2 blown up sheets of images of the camera.

Wilson Rothman, "CVS Digital One-Time-Use Camera", <http://www.time.com/time/gadget/20040825/>, TIME.com

Gadget of the Week: CVS Digital One-Time-Use Camera, Aug. 25, 2004, pp. 1-2, plus one blown ip imge of the camera.

\* cited by examiner

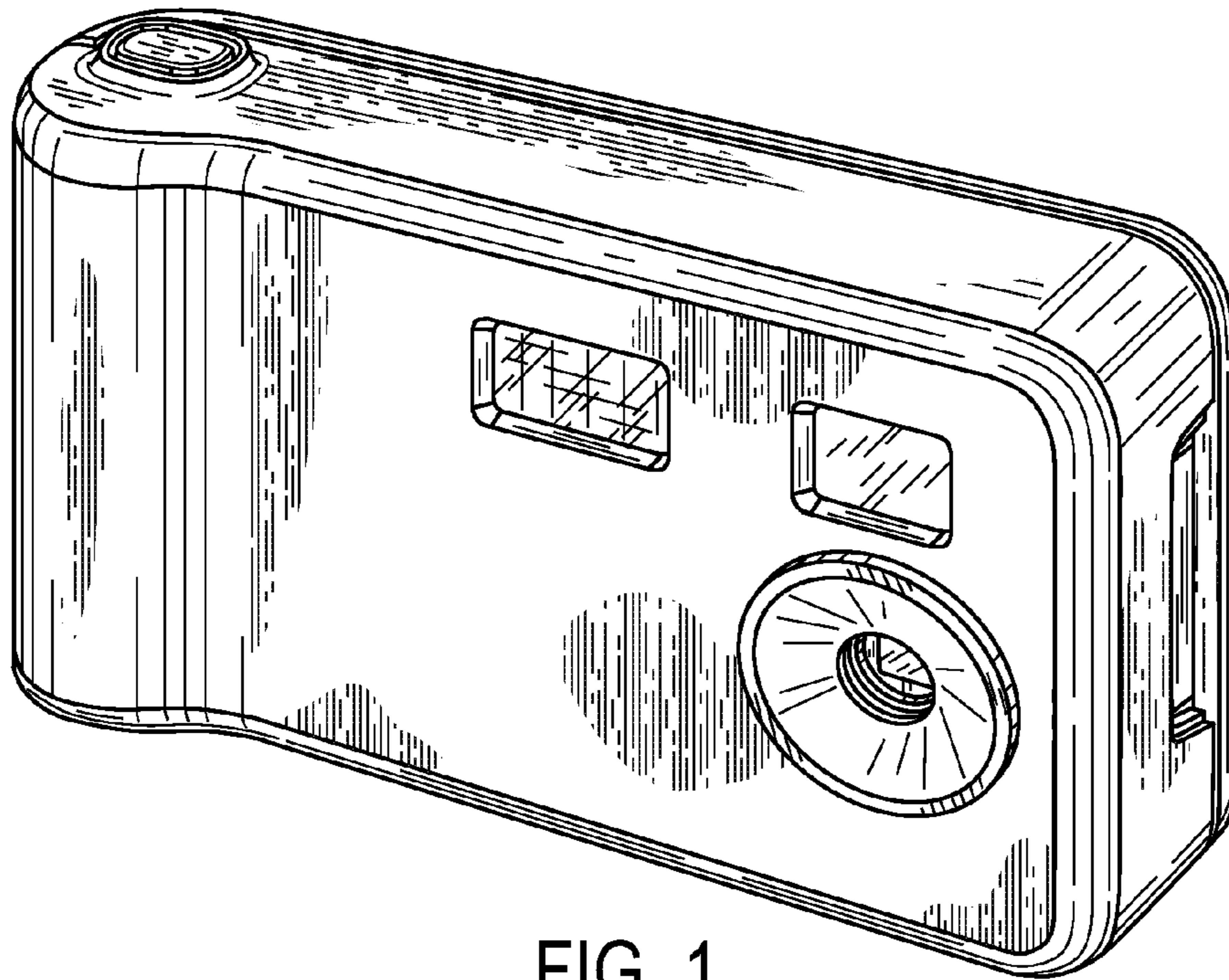


FIG. 1

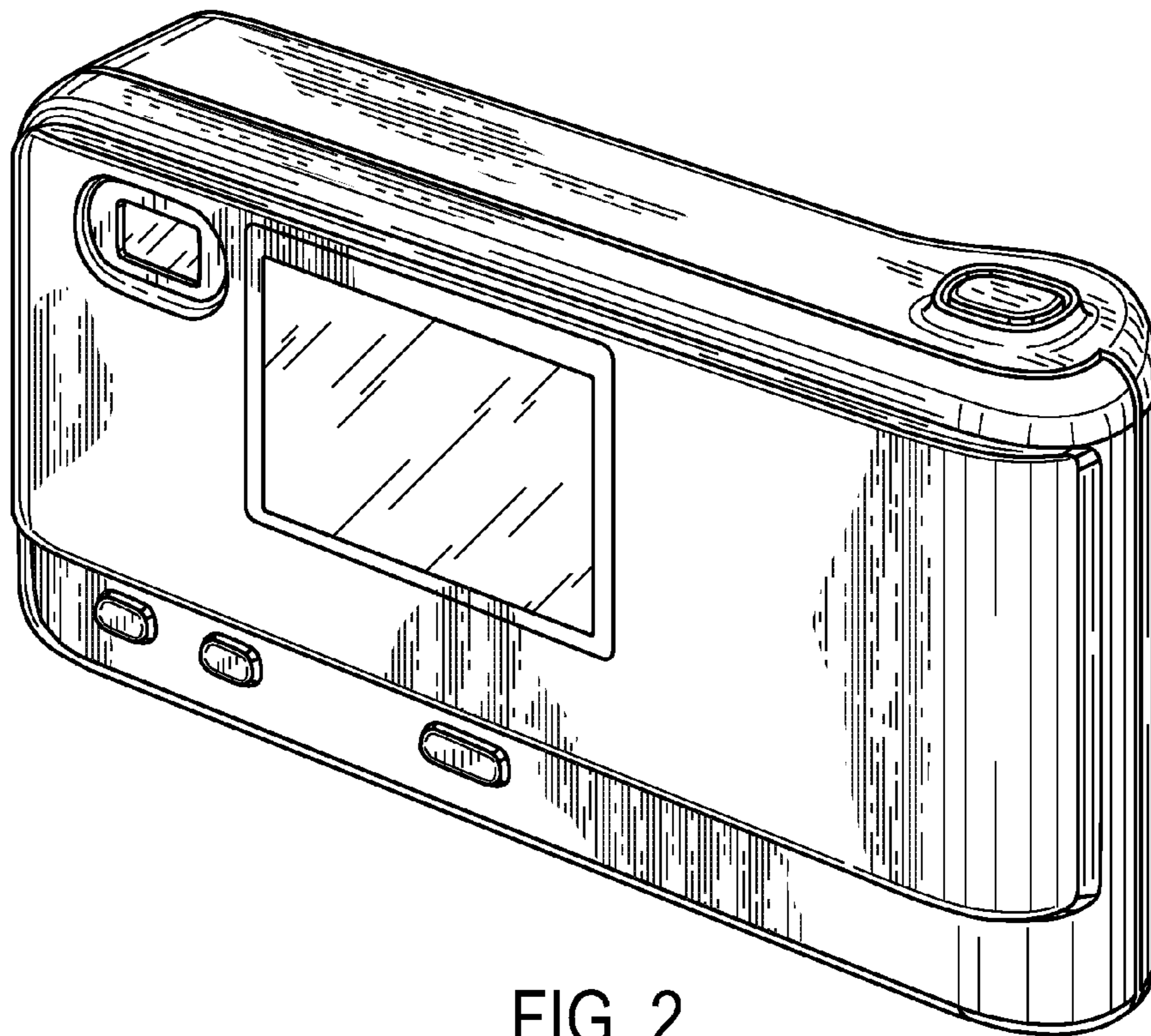


FIG. 2

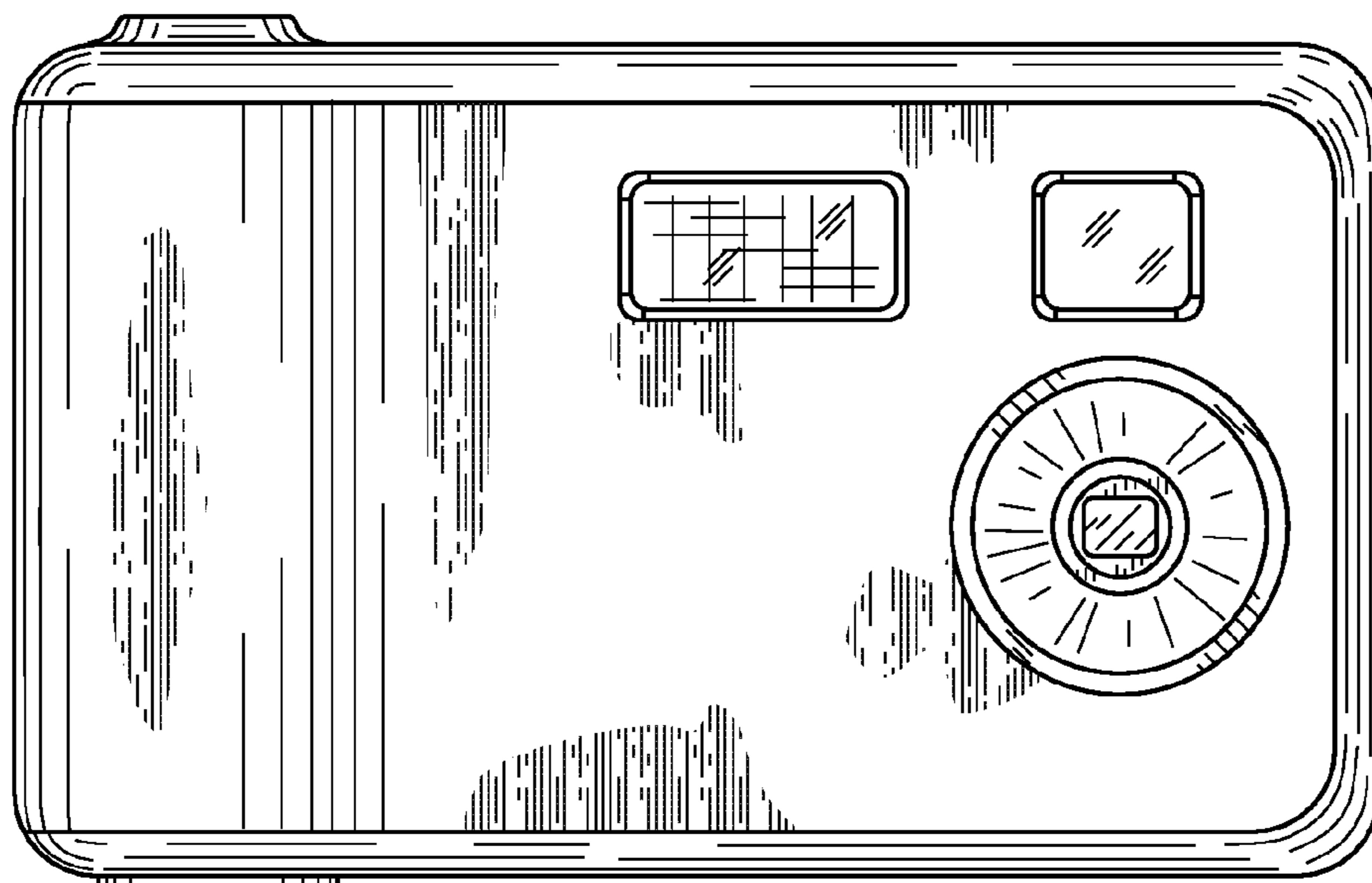


FIG. 3

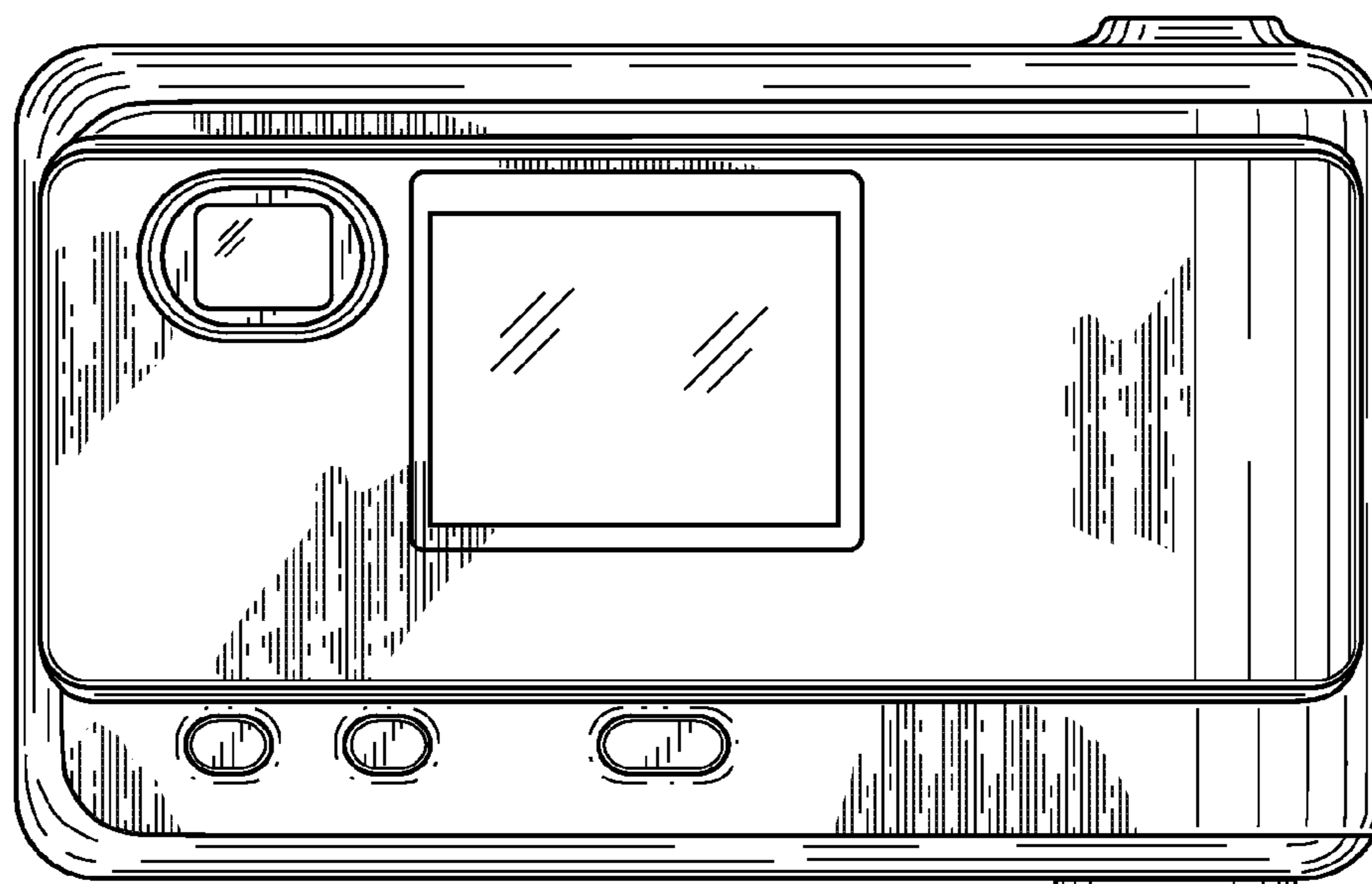


FIG. 4

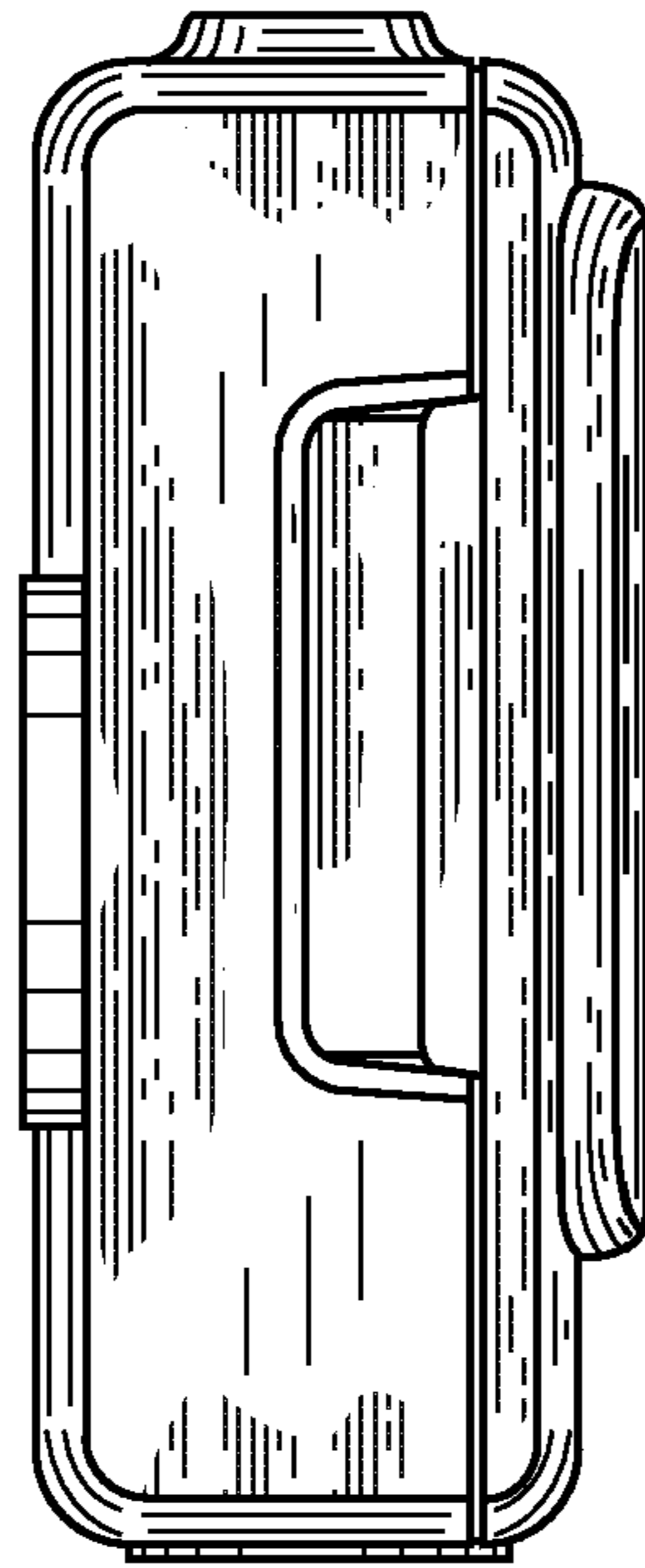


FIG. 5

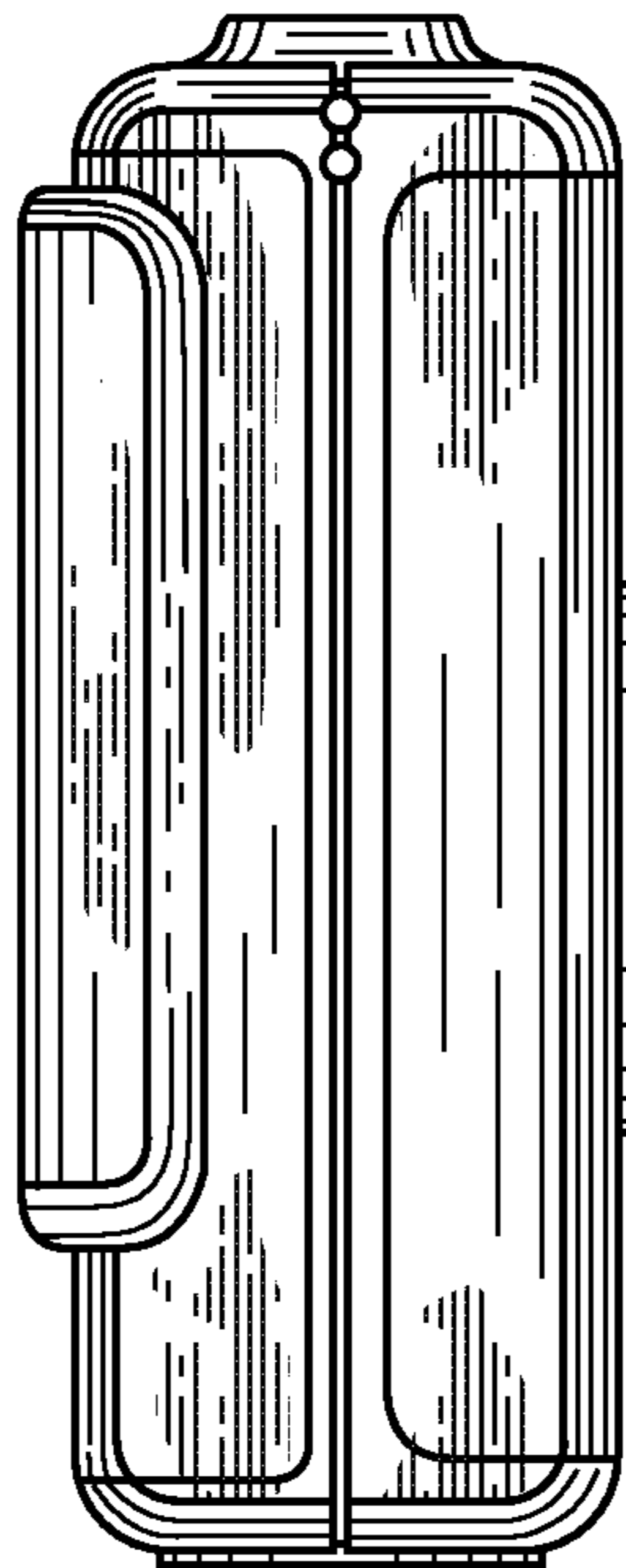


FIG. 6

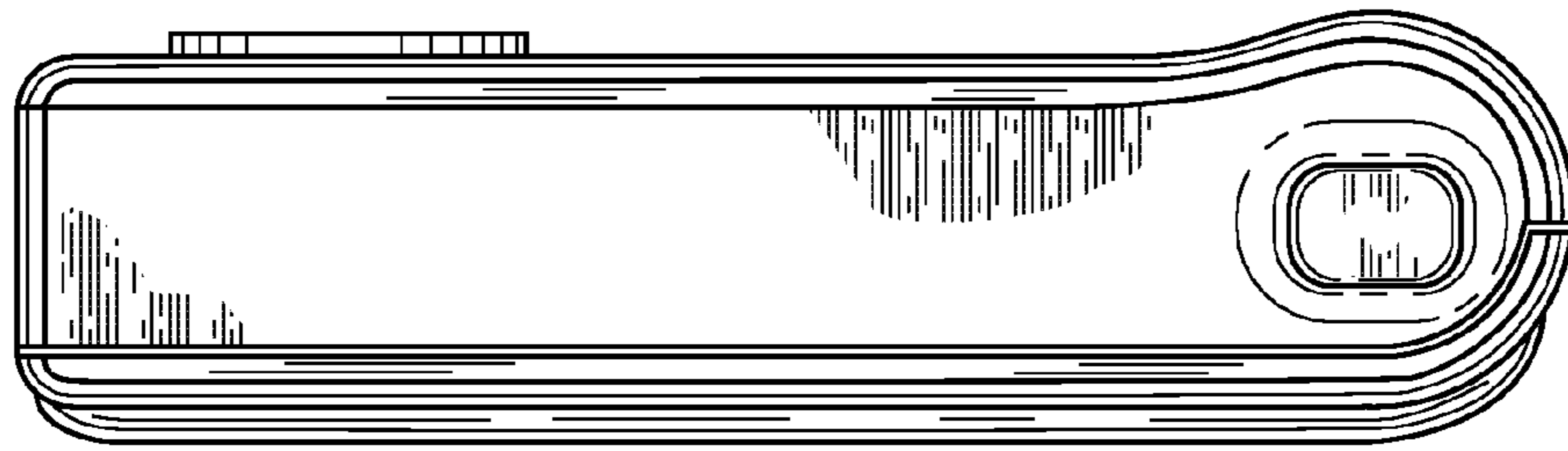


FIG. 7

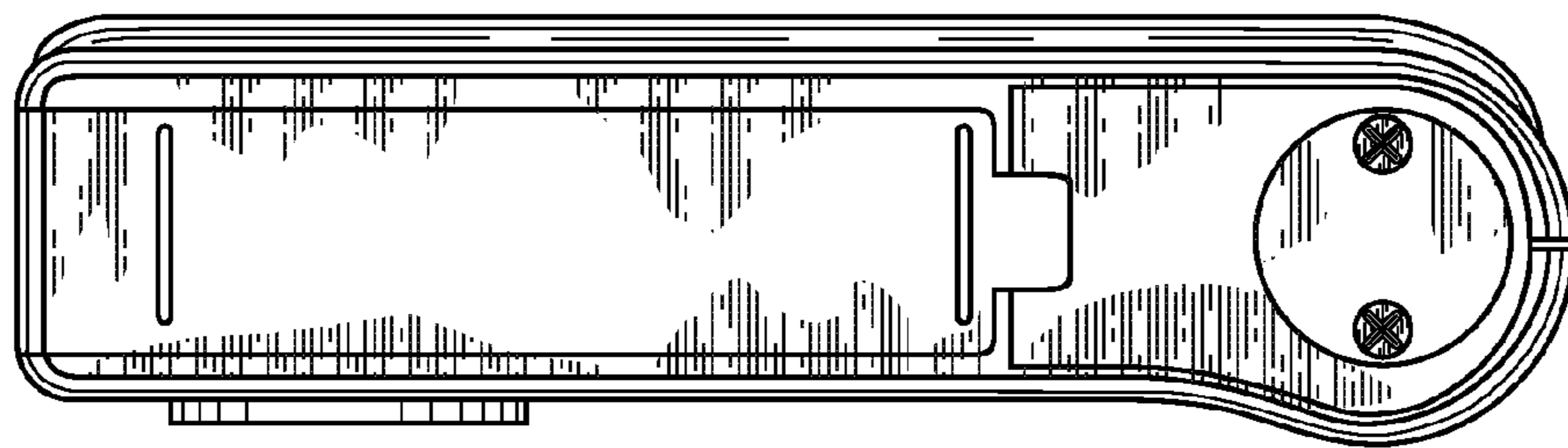


FIG. 8

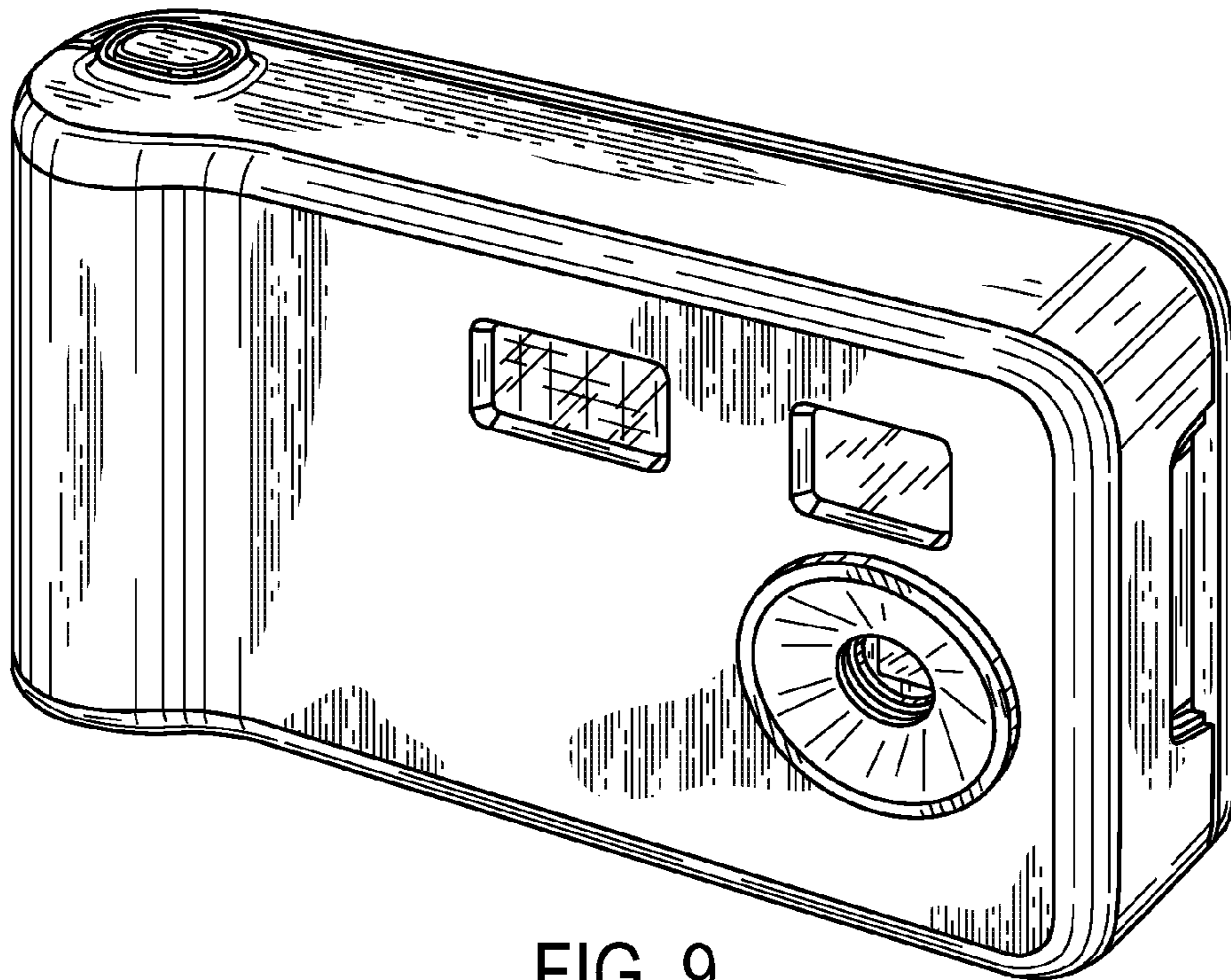


FIG. 9

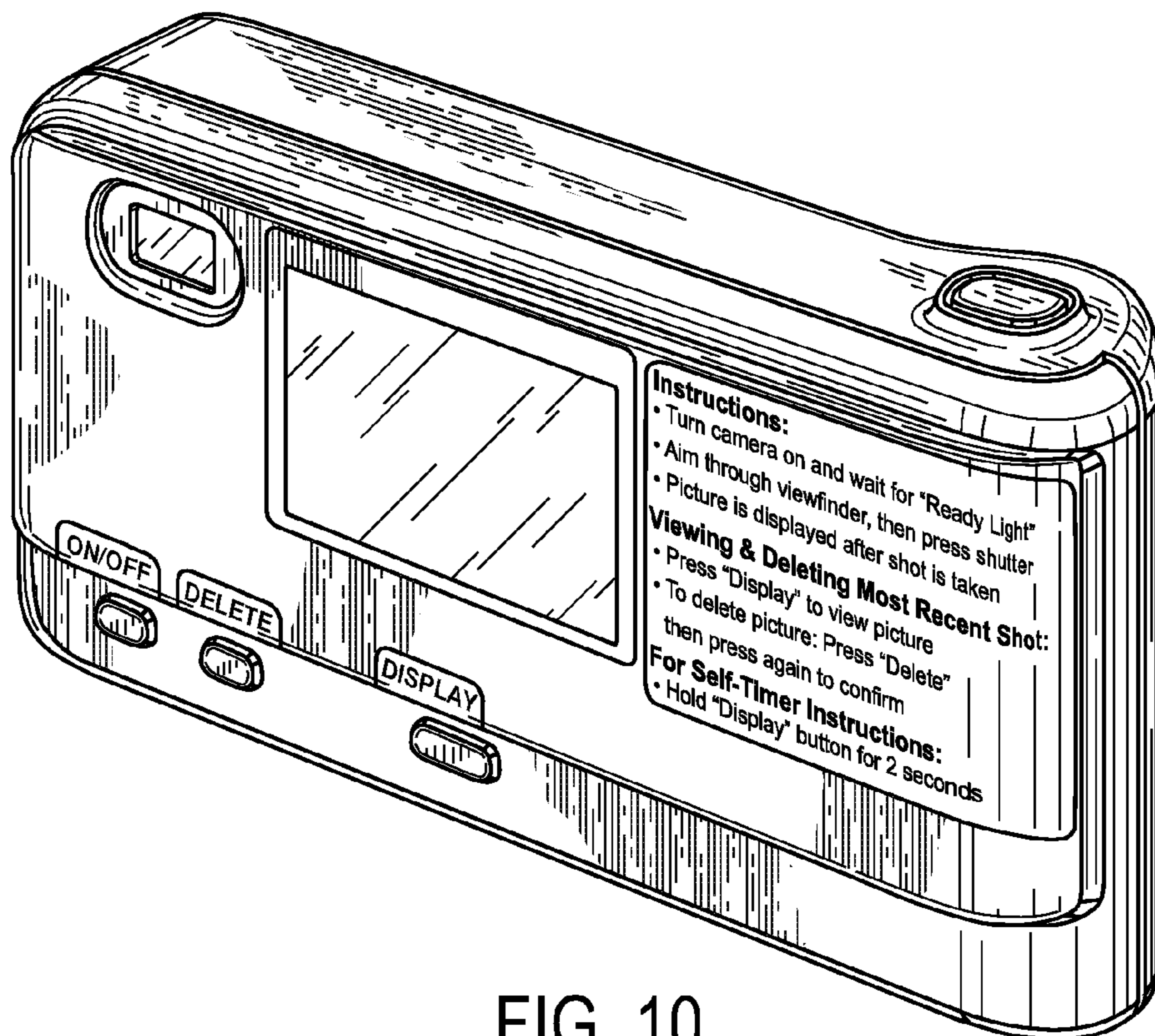


FIG. 10

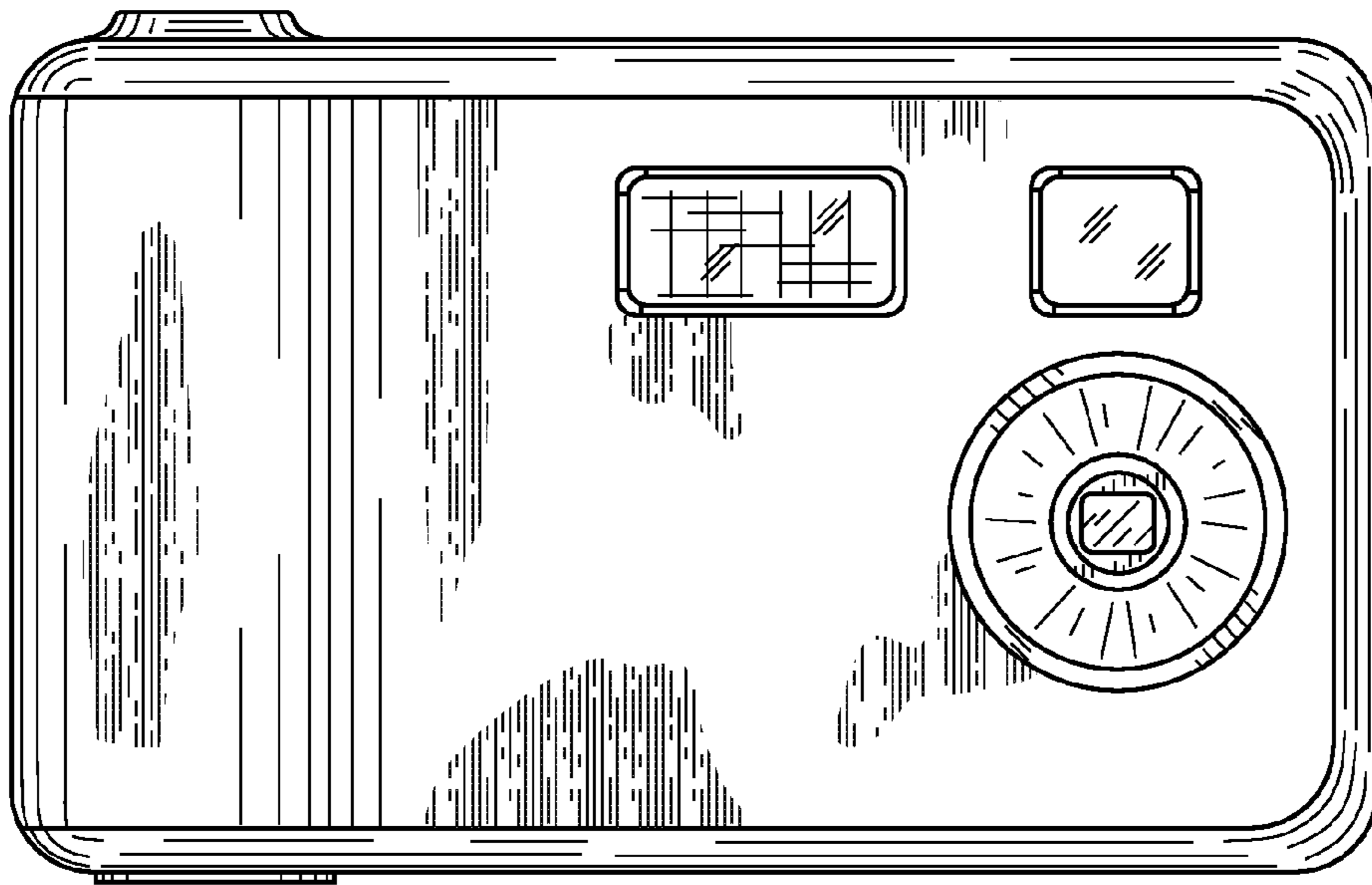


FIG. 11

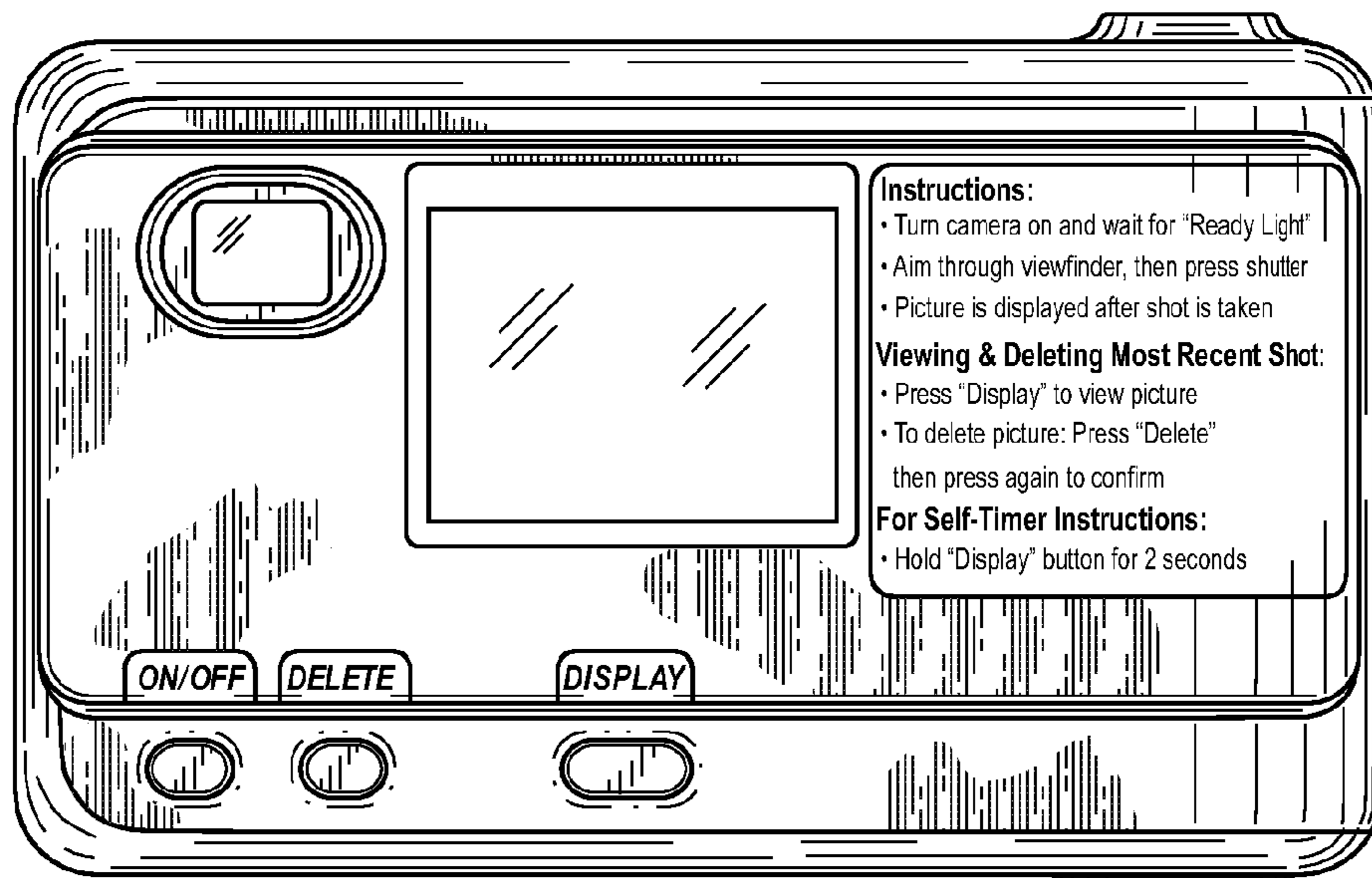


FIG. 12



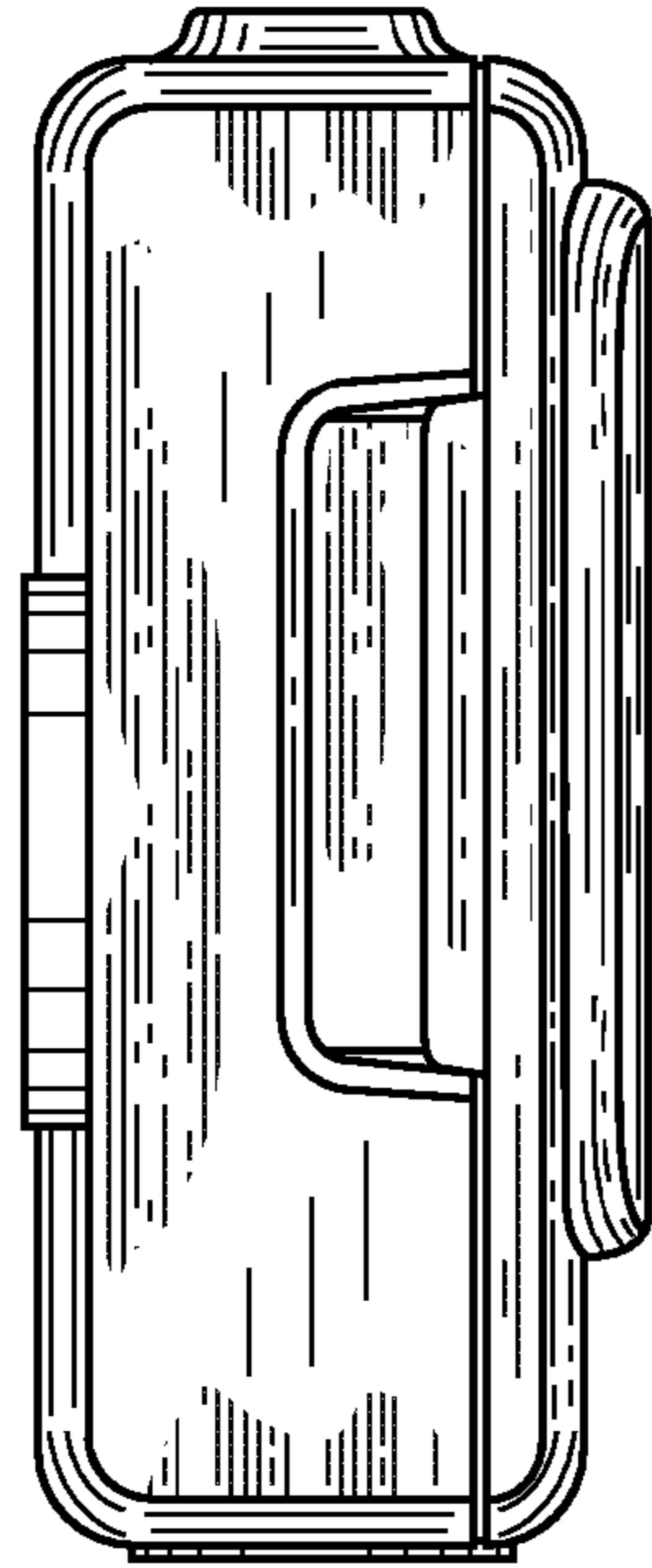


FIG. 13

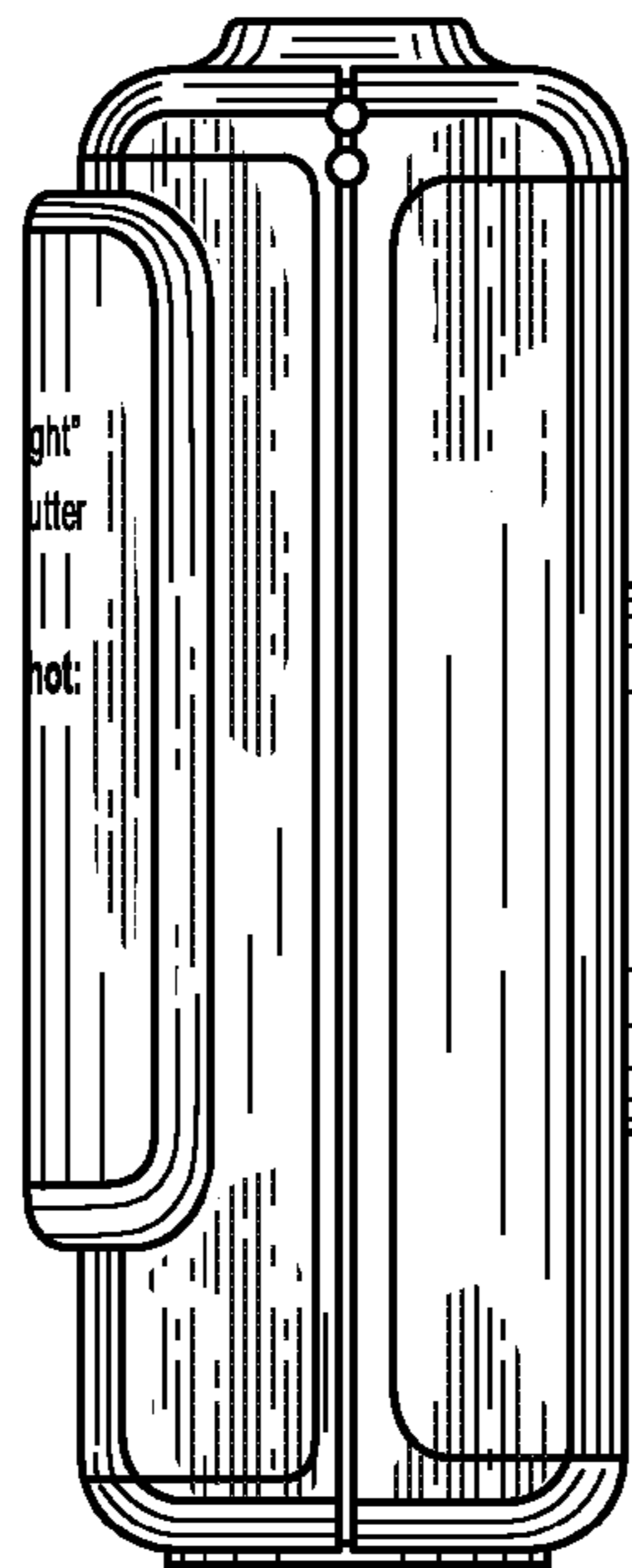


FIG. 14

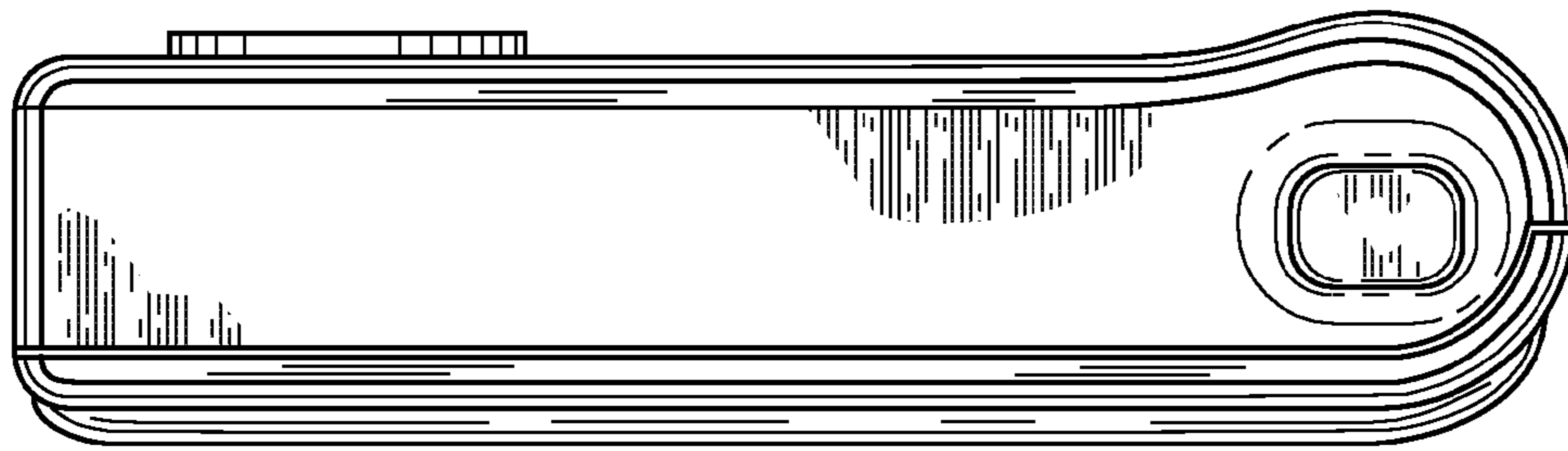


FIG. 15

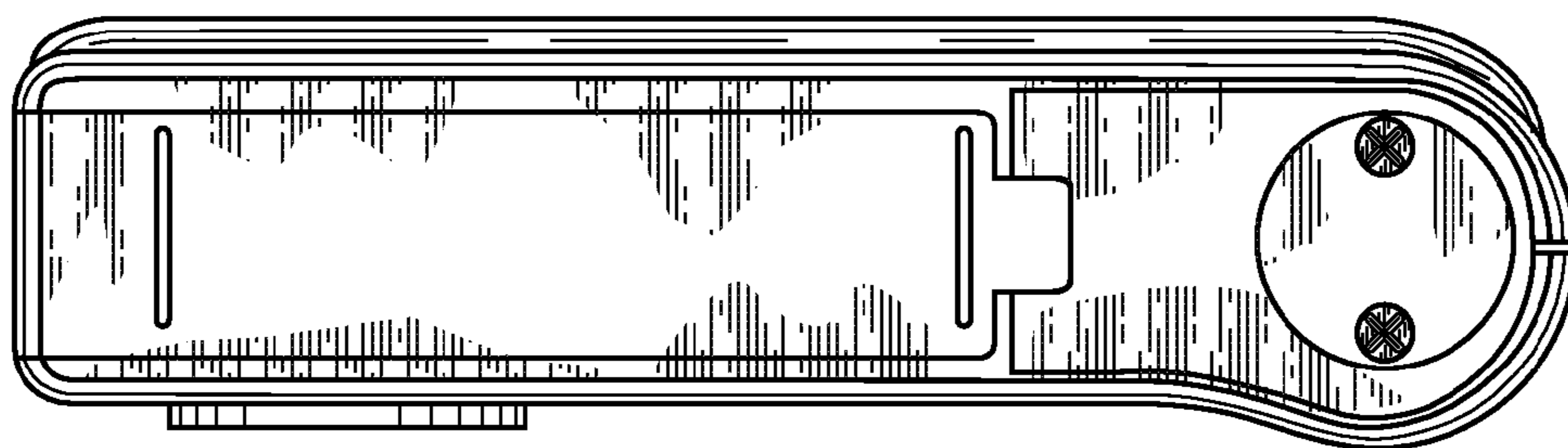


FIG. 16