



US00D594884S

(12) **United States Design Patent**
Murakami et al.

(10) **Patent No.:** **US D594,884 S**
(45) **Date of Patent:** **** Jun. 23, 2009**

(54) **TRAVELING BODY FOR CONSTRUCTION MACHINE**

(75) Inventors: **Masaaki Murakami**, Hiroshima (JP);
Shintaro Sakitani, Hiroshima (JP)

(73) Assignee: **Kobelco Construction Machinery Co., Ltd.**, Hiroshima-shi (JP)

(**) Term: **14 Years**

(21) Appl. No.: **29/282,810**

(22) Filed: **Jul. 30, 2007**

(51) **LOC (9) Cl.** **15-03**

(52) **U.S. Cl.** **D15/28**

(58) **Field of Classification Search** D15/10,
D15/22-26, 28, 30, 33; 296/193.03, 193.08;
172/611, 776; 180/69.24, 89.1, 89.12, 89.13,
180/900, 326; 37/443, 379; 414/601, 602,
414/685, 687, 688, 694, 722-724, 699, 680,
414/698, 719, 743

See application file for complete search history.

(56) **References Cited**

U.S. PATENT DOCUMENTS

D284,577	S	*	7/1986	DuBose	D15/28
D391,272	S	*	2/1998	Jin et al.	D15/25
D406,152	S	*	2/1999	Miyaoka et al.	D15/25
D431,235	S	*	9/2000	Lyman et al.	D14/142
D432,144	S	*	10/2000	Kraft et al.	D15/30
D432,145	S	*	10/2000	Kraft et al.	D15/30
6,135,223	A	*	10/2000	Miyachi et al.	180/69.21
D433,689	S	*	11/2000	Kraft et al.	D15/30
D436,605	S	*	1/2001	Shaw et al.	D15/30
6,170,588	B1	*	1/2001	Irino et al.	180/89.1
D450,331	S	*	11/2001	Murakami et al.	D15/25
D460,974	S	*	7/2002	Murakami et al.	D15/25
D462,974	S	*	9/2002	Yanagida et al.	D15/25
6,502,896	B1	*	1/2003	Nakata et al.	296/190.05
D490,444	S	*	5/2004	Kuwae	D15/33
D506,211	S	*	6/2005	Kuwae et al.	D15/33
D507,800	S	*	7/2005	Kuwae et al.	D15/30
D508,498	S	*	8/2005	Shimokakiuchi et al.	D15/24

(Continued)

FOREIGN PATENT DOCUMENTS

WO WO 2004/106708 A1 12/2004

OTHER PUBLICATIONS

U.S. Appl. No. 29/282,799, filed Jul. 30, 2007, Murakami, et al.

(Continued)

Primary Examiner—Stella M Reid

Assistant Examiner—Mark A Goodwin

(74) *Attorney, Agent, or Firm*—Oblon, Spivak, McClelland, Maier & Neustadt, P.C.

(57) **CLAIM**

The ornamental design for a traveling body for construction machine, as shown and described.

DESCRIPTION

FIG. 1 is a top left rear perspective view of a traveling body for construction machine showing our new design;

FIG. 2 is a top right front perspective view thereof;

FIG. 3 is a front view thereof;

FIG. 4 is a rear view thereof;

FIG. 5 is a left side view thereof;

FIG. 6 is a right side view thereof;

FIG. 7 is a top view thereof;

FIG. 8 is an enlarged top left rear perspective view of FIG. 1 thereof;

FIG. 9 is an enlarged top right front perspective view of FIG. 2 thereof;

FIG. 10 is an enlarged front view of FIG. 3 thereof;

FIG. 11 is an enlarged rear view of FIG. 4 thereof;

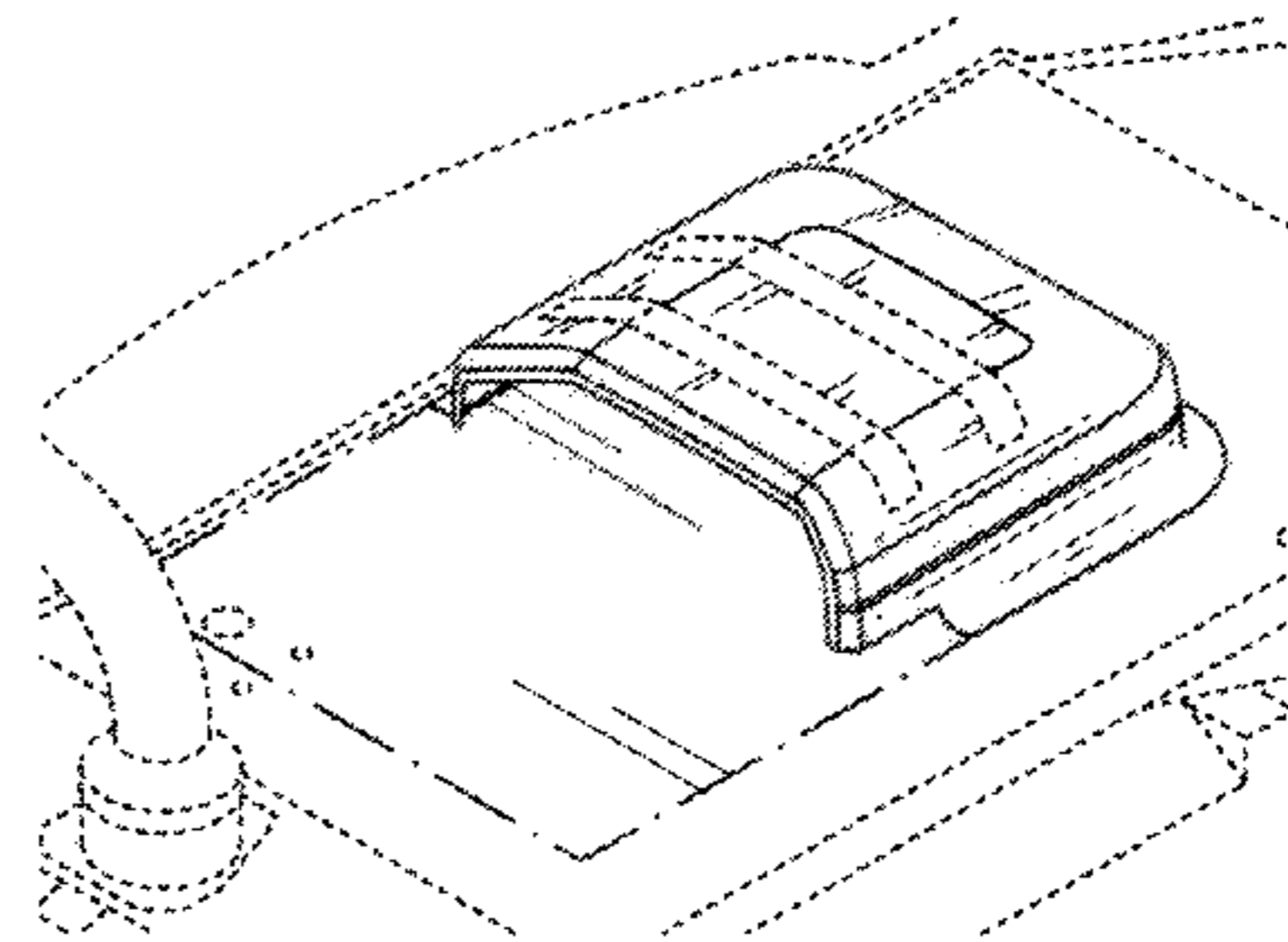
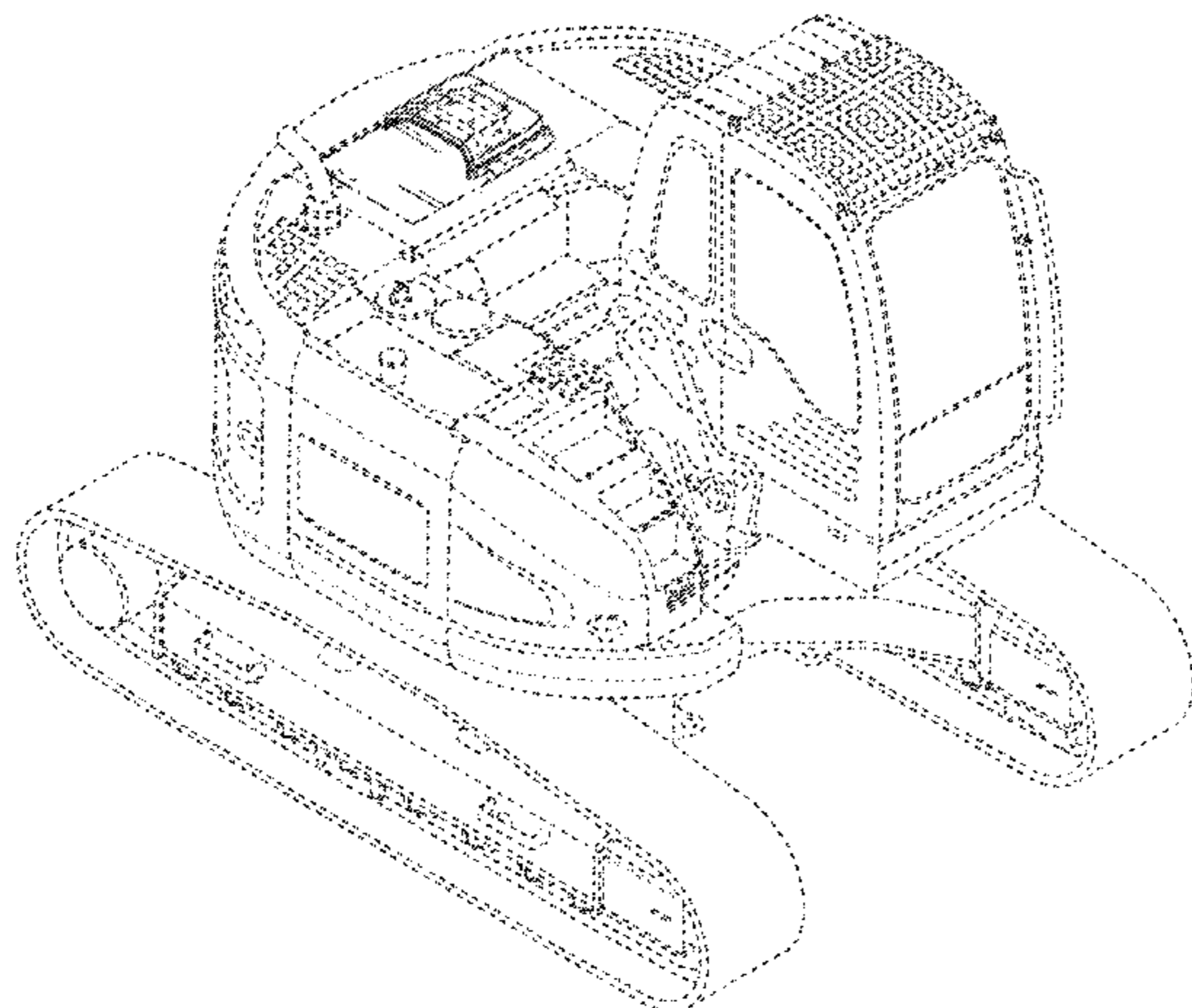
FIG. 12 is an enlarged left side view of FIG. 5 thereof;

FIG. 13 is an enlarged right side view of FIG. 6 thereof; and,

FIG. 14 is an enlarged top view of FIG. 7 thereof.

The portion shown by broken lines is for illustrative purposes only and forms no part of the claimed design. The dashed lines show a borderline between the claimed design and other portion.

1 Claim, 14 Drawing Sheets



U.S. PATENT DOCUMENTS

D510,366 S * 10/2005 Kuwae et al. D15/28
D518,071 S * 3/2006 Gwak et al. D15/25
7,036,251 B2 * 5/2006 Kojima et al. 37/466
D528,568 S * 9/2006 Kuwae et al. D15/28
D529,933 S * 10/2006 Kuwae et al. D15/28
2004/0200100 A1 * 10/2004 Kojima et al. 37/348

OTHER PUBLICATIONS

U.S. Appl. No. 29/282,811, filed Jul. 30, 2007, Murakami, et al.
U.S. Appl. No. 29/282,810, filed Jul. 30, 2007, Murakami, et al.
U.S. Appl. No. 29/282,816, filed Jul. 30, 2007, Murakami, et al.

U.S. Appl. No. 29/306,788, filed Apr. 16, 2008, Murakami, et al.
U.S. Appl. No. 29/306,791, filed Apr. 16, 2008, Murakami, et al.
U.S. Appl. No. 29/306,736, filed Apr. 15, 2008, Murakami, et al.
U.S. Appl. No. 29/306,739, filed Apr. 15, 2008, Murakami, et al.
U.S. Appl. No. 29/306,796, filed Apr. 16, 2008, Murakami, et al.
U.S. Appl. No. 29/306,793, filed Apr. 16, 2008, Murakami, et al.

* cited by examiner

Fig. 1

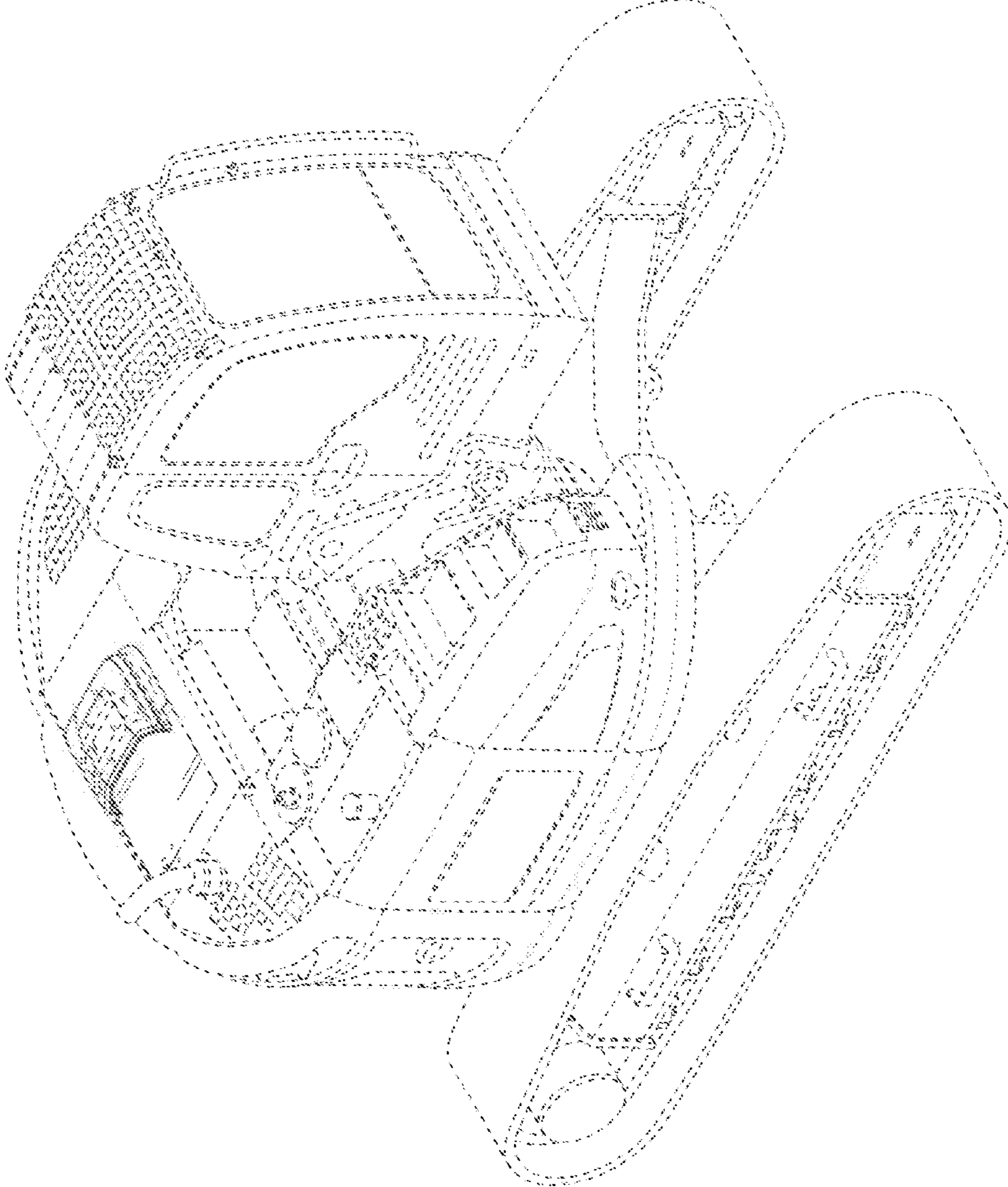


Fig. 2

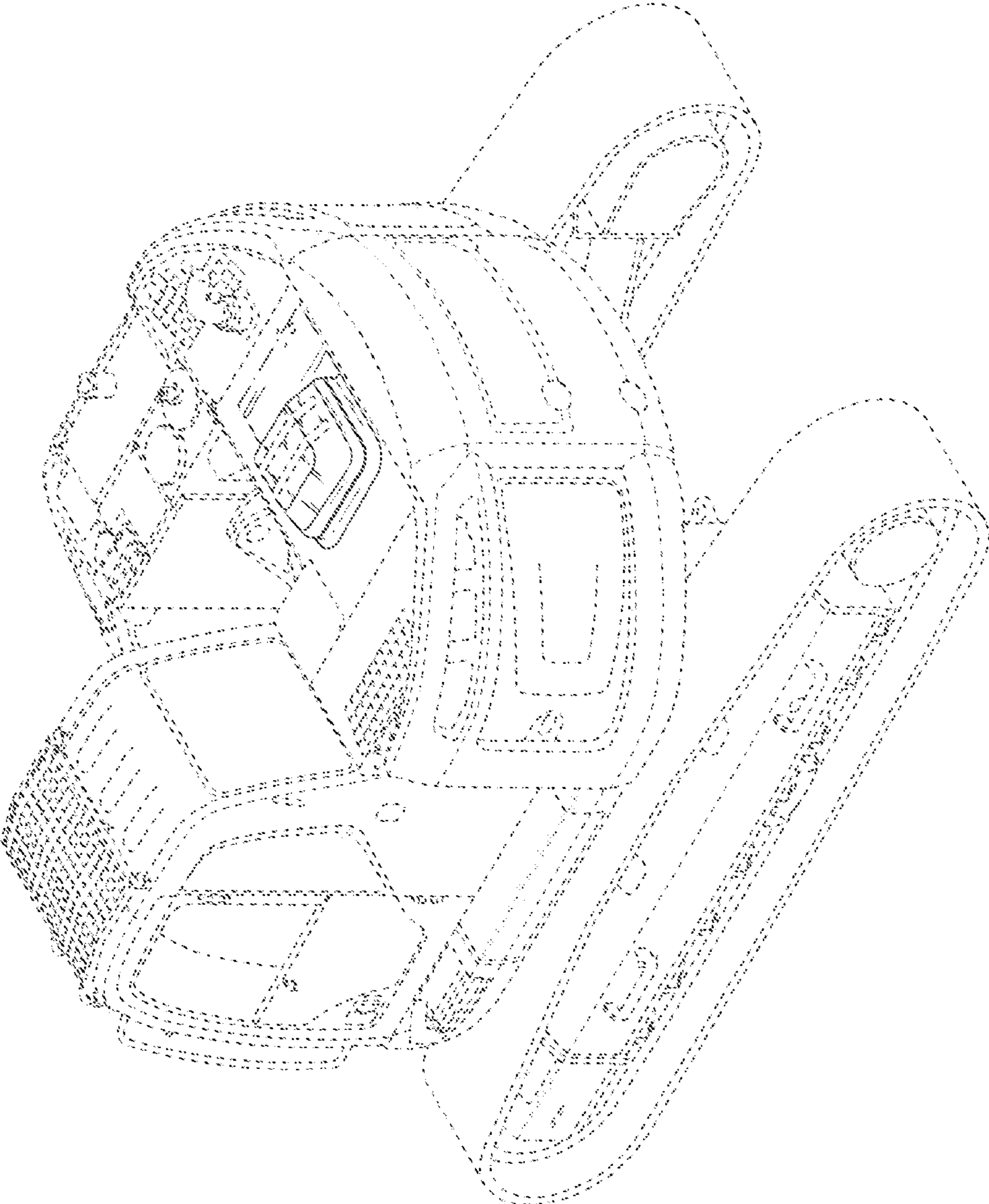


Fig. 3

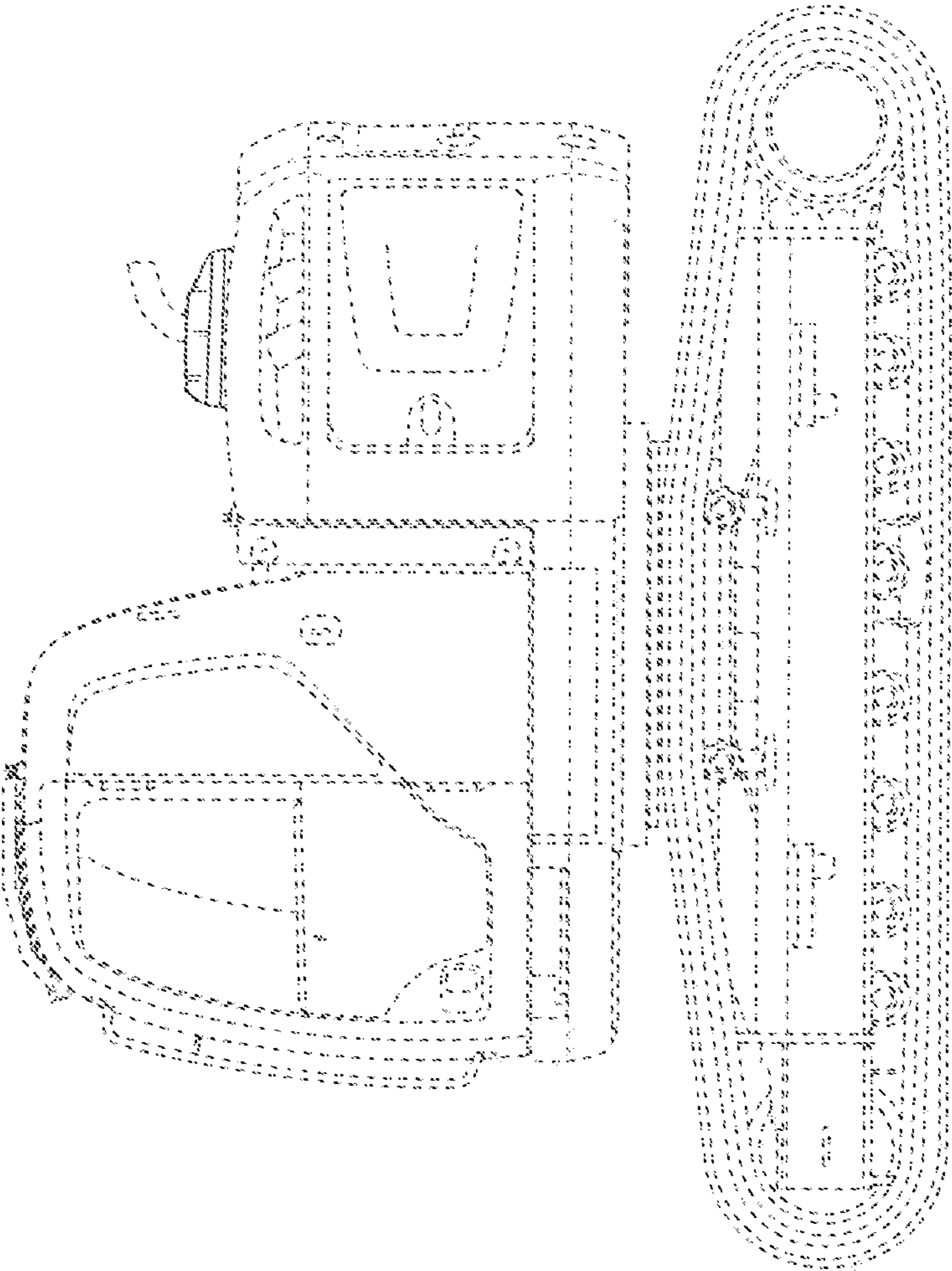


Fig. 4

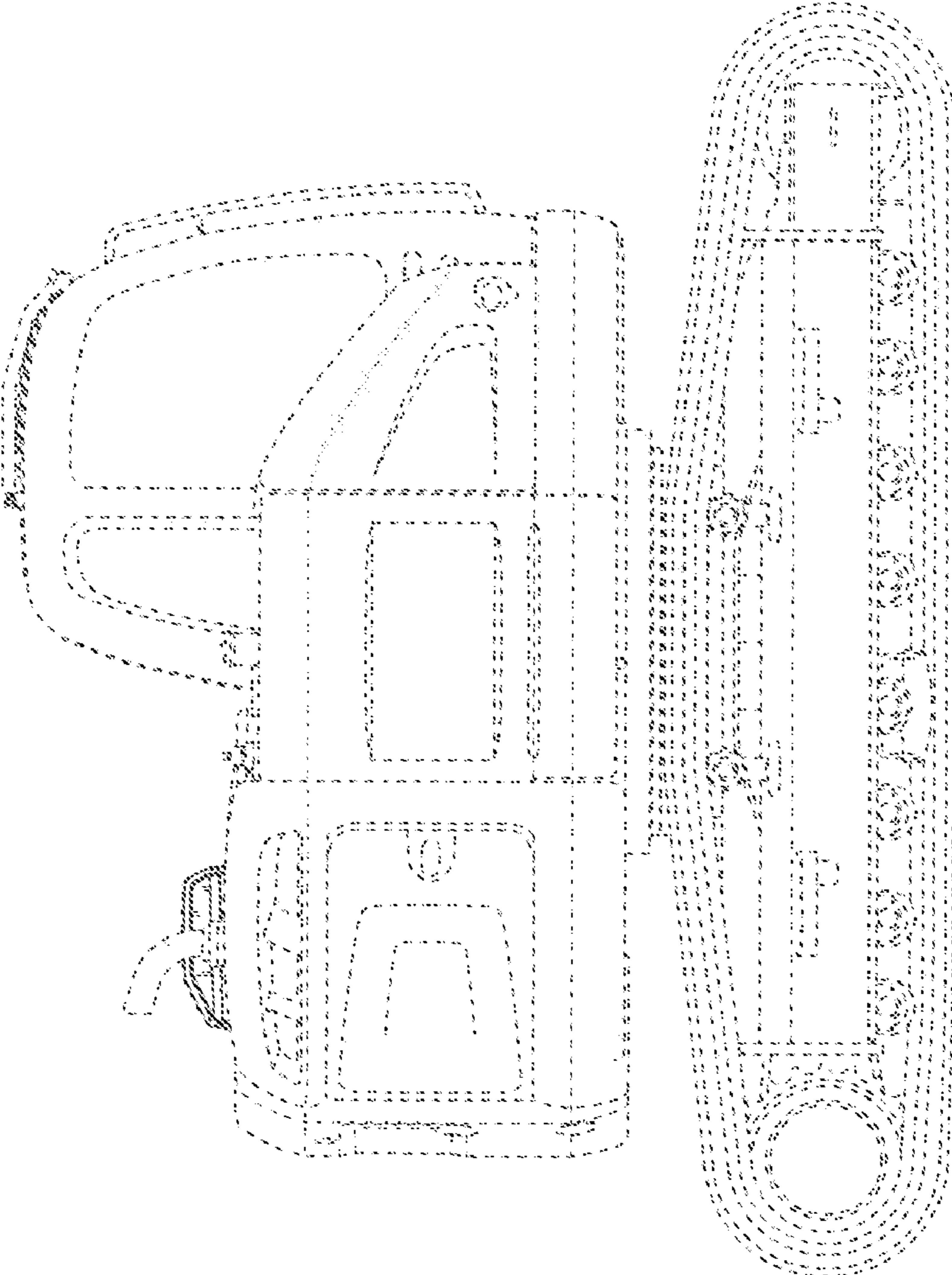


Fig. 5

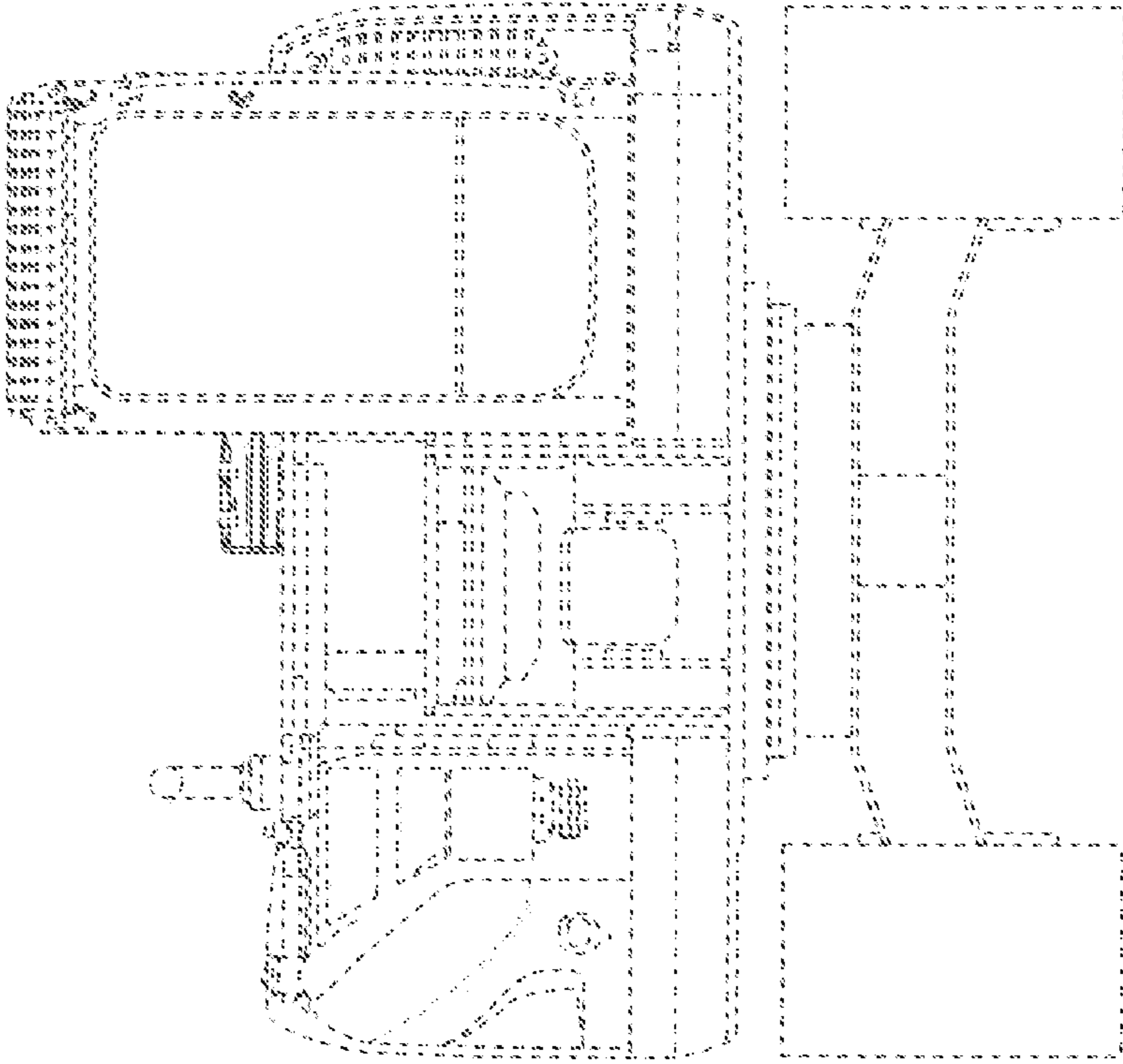


Fig. 6

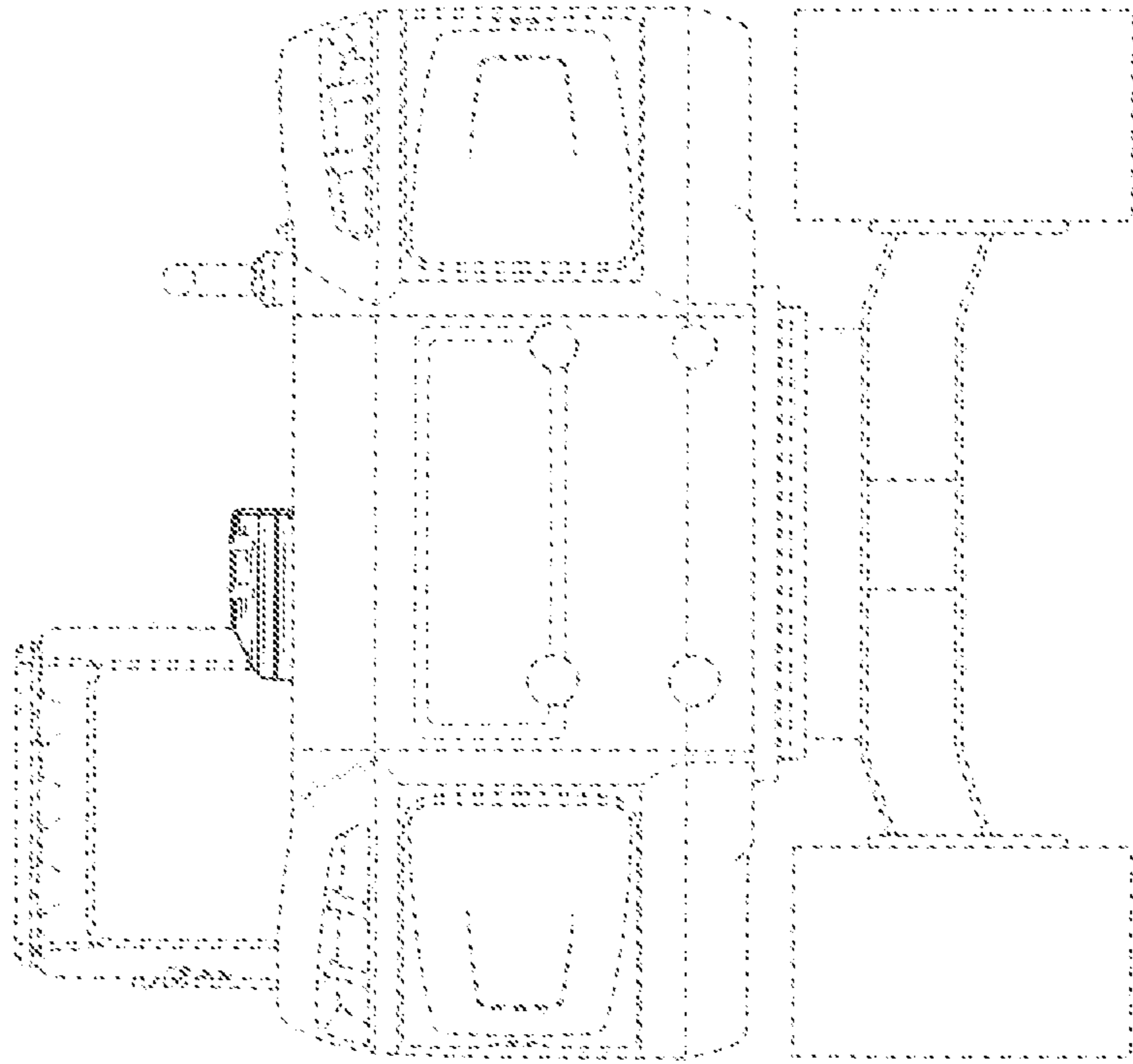


Fig. 7

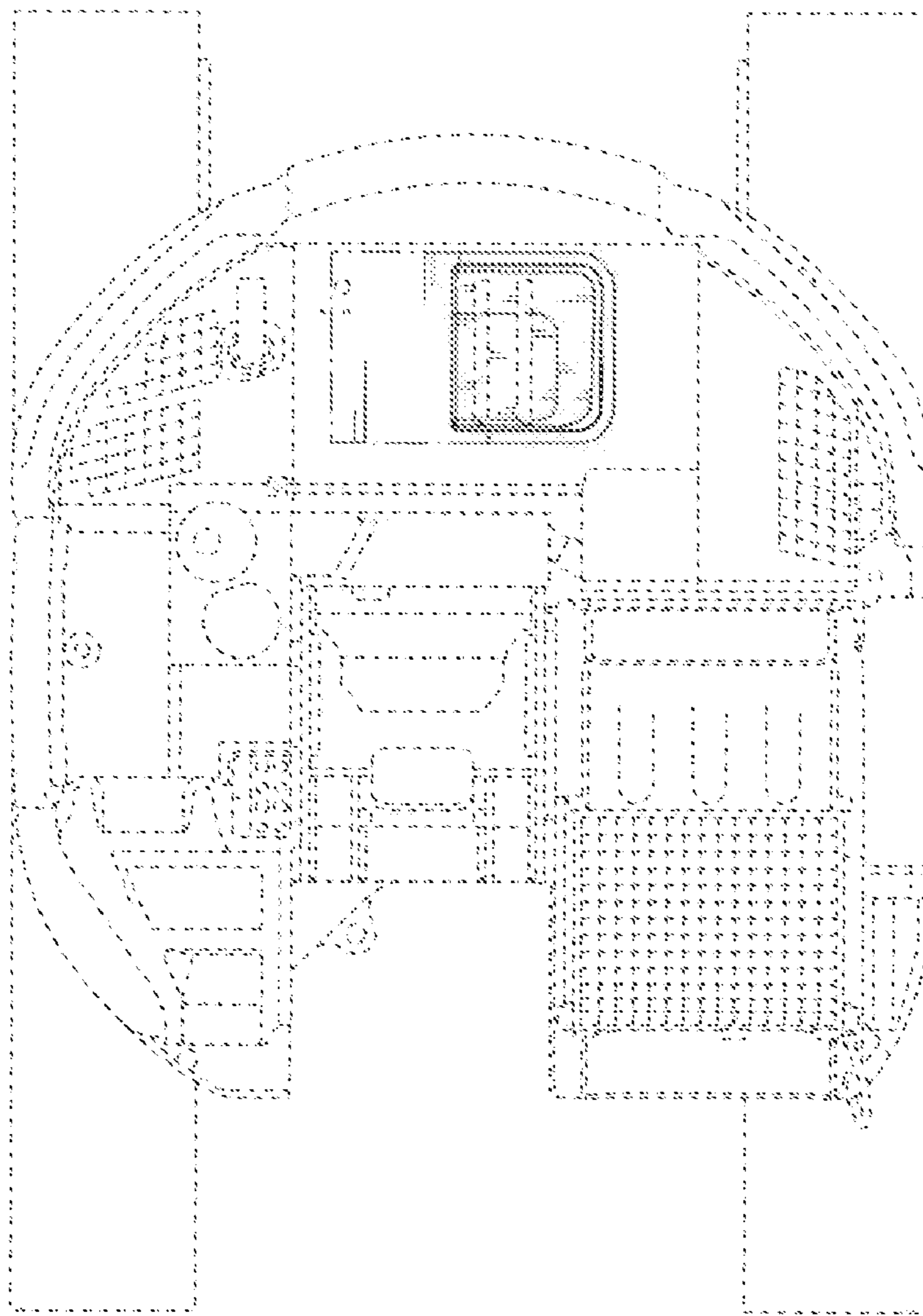


Fig. 8

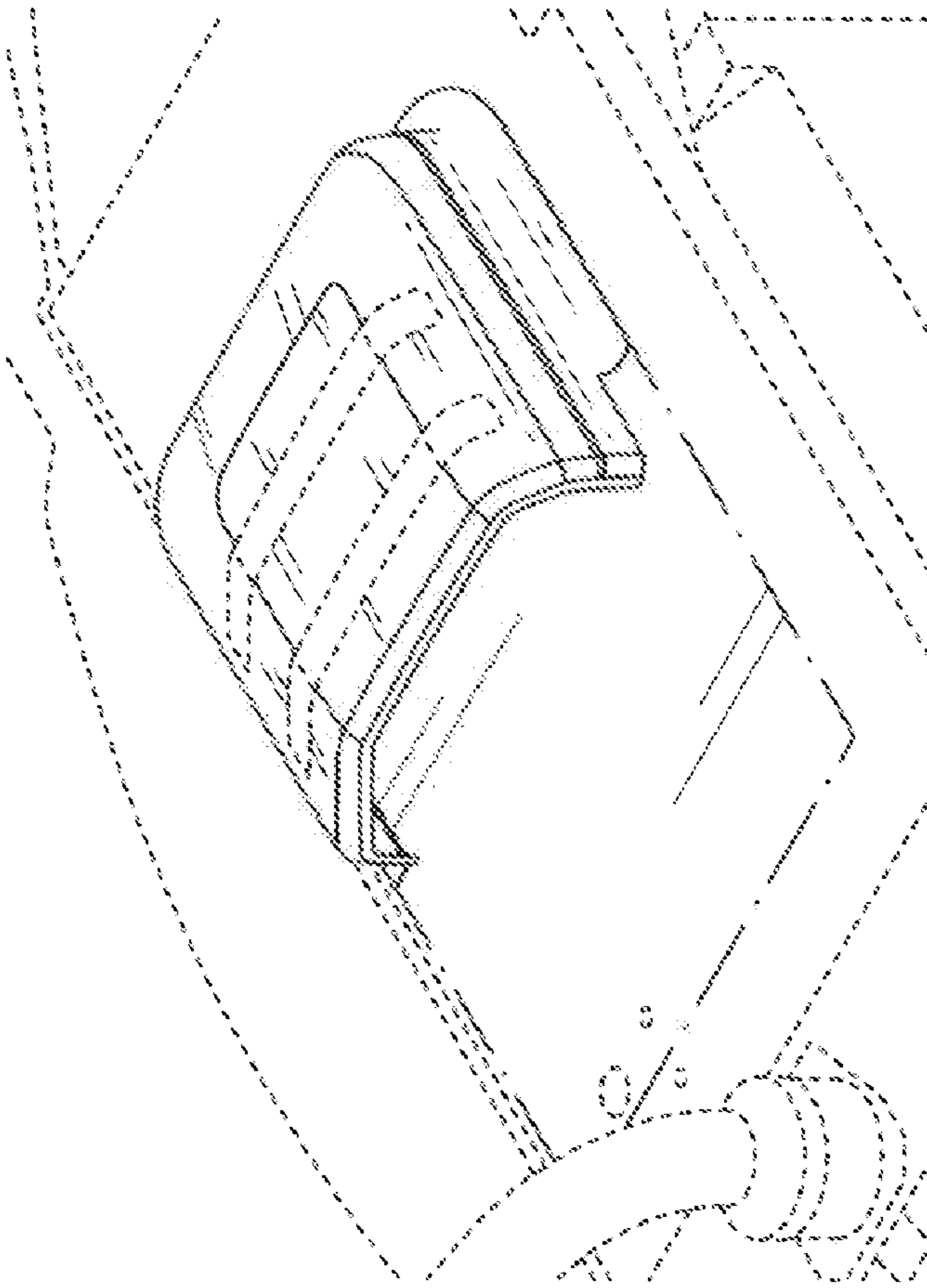


Fig. 9

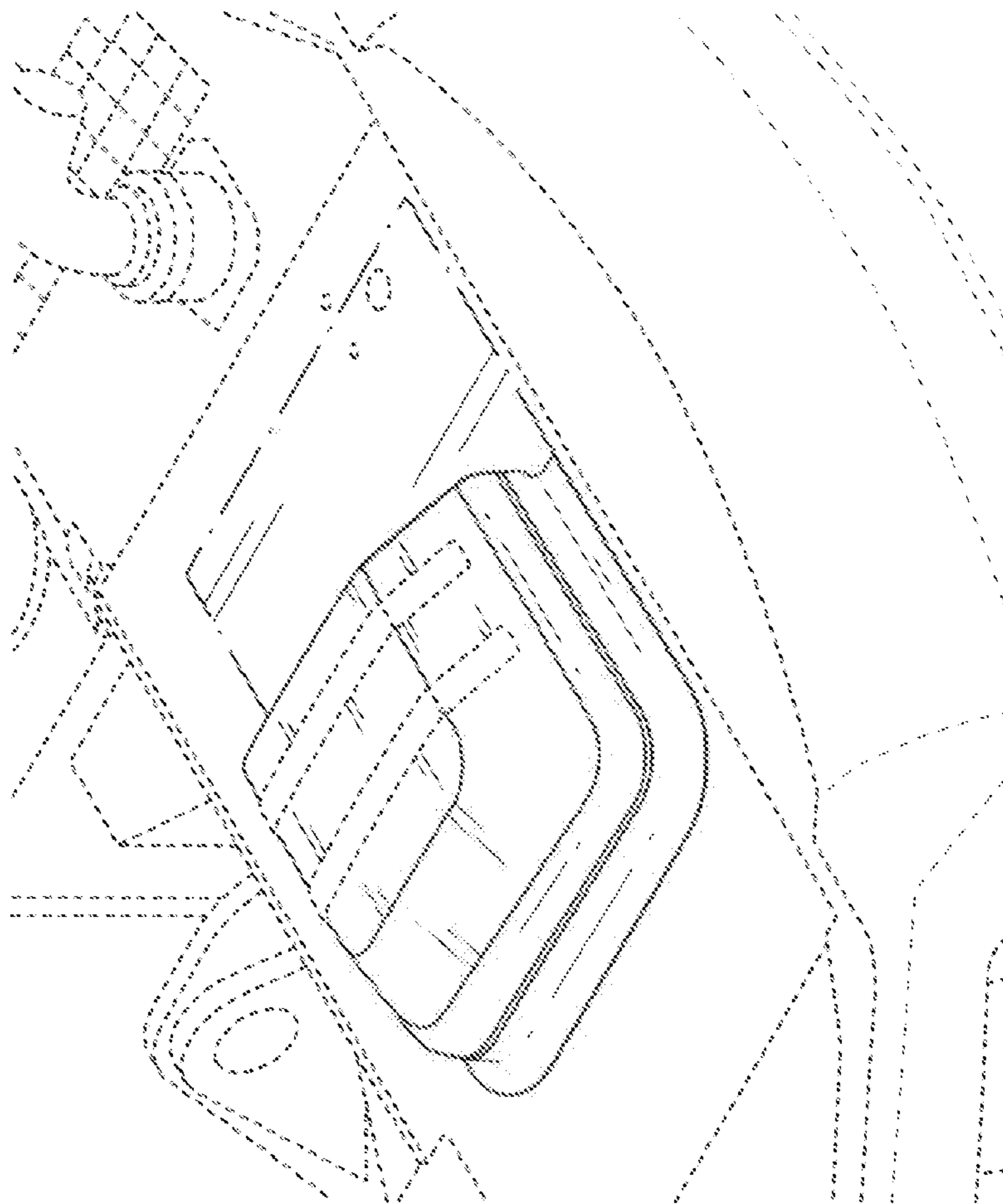


Fig. 10

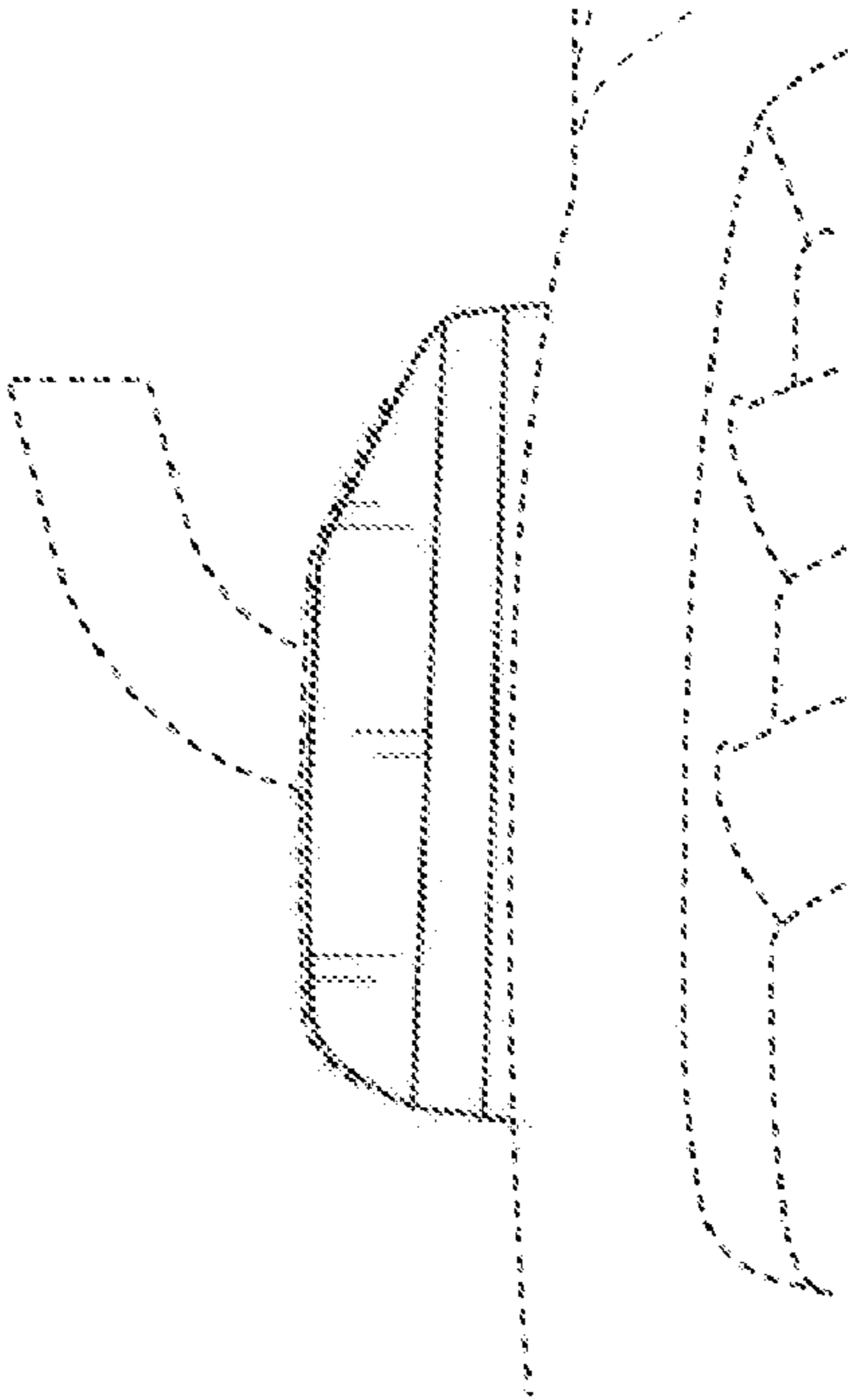


Fig. 11

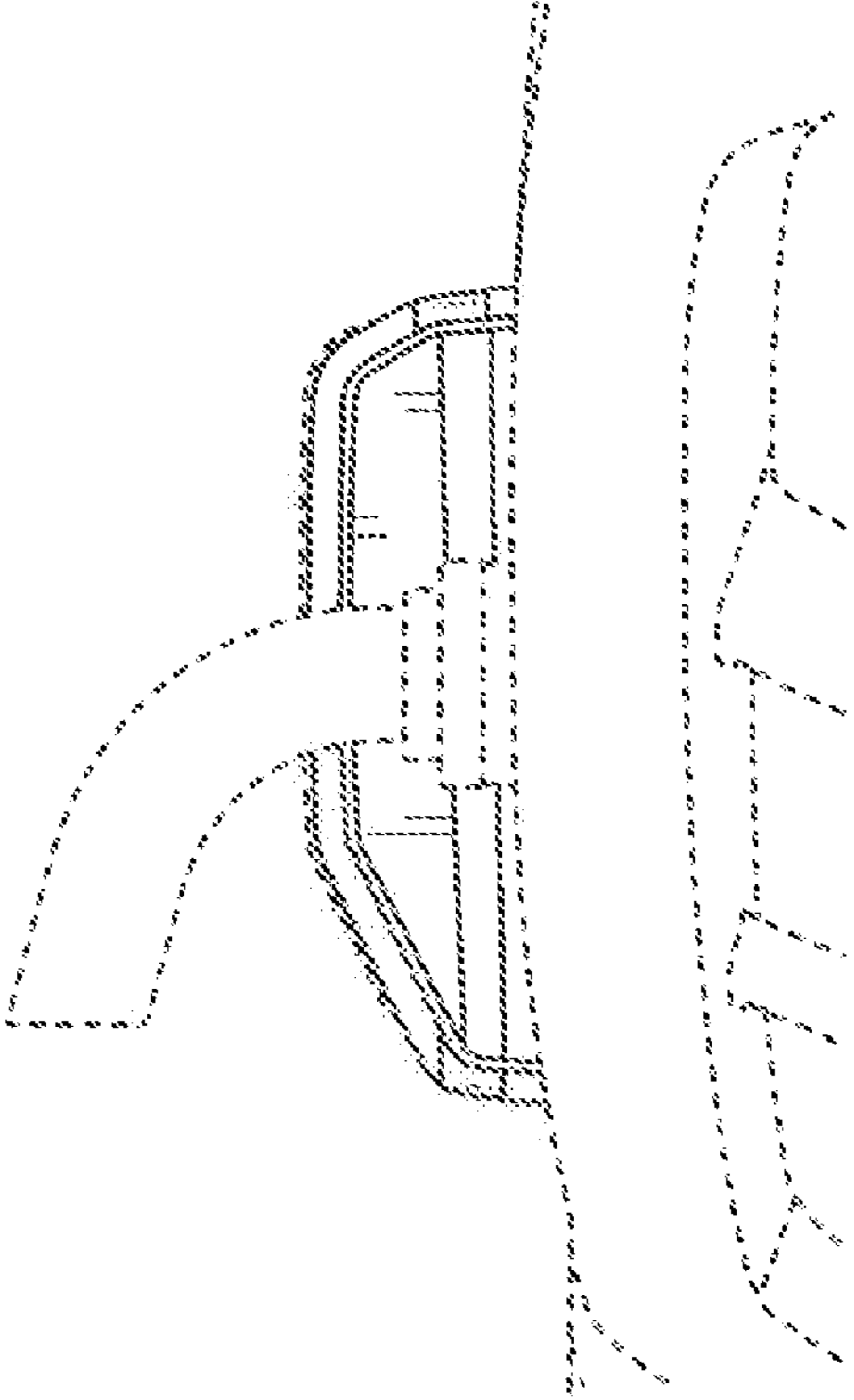


Fig. 12

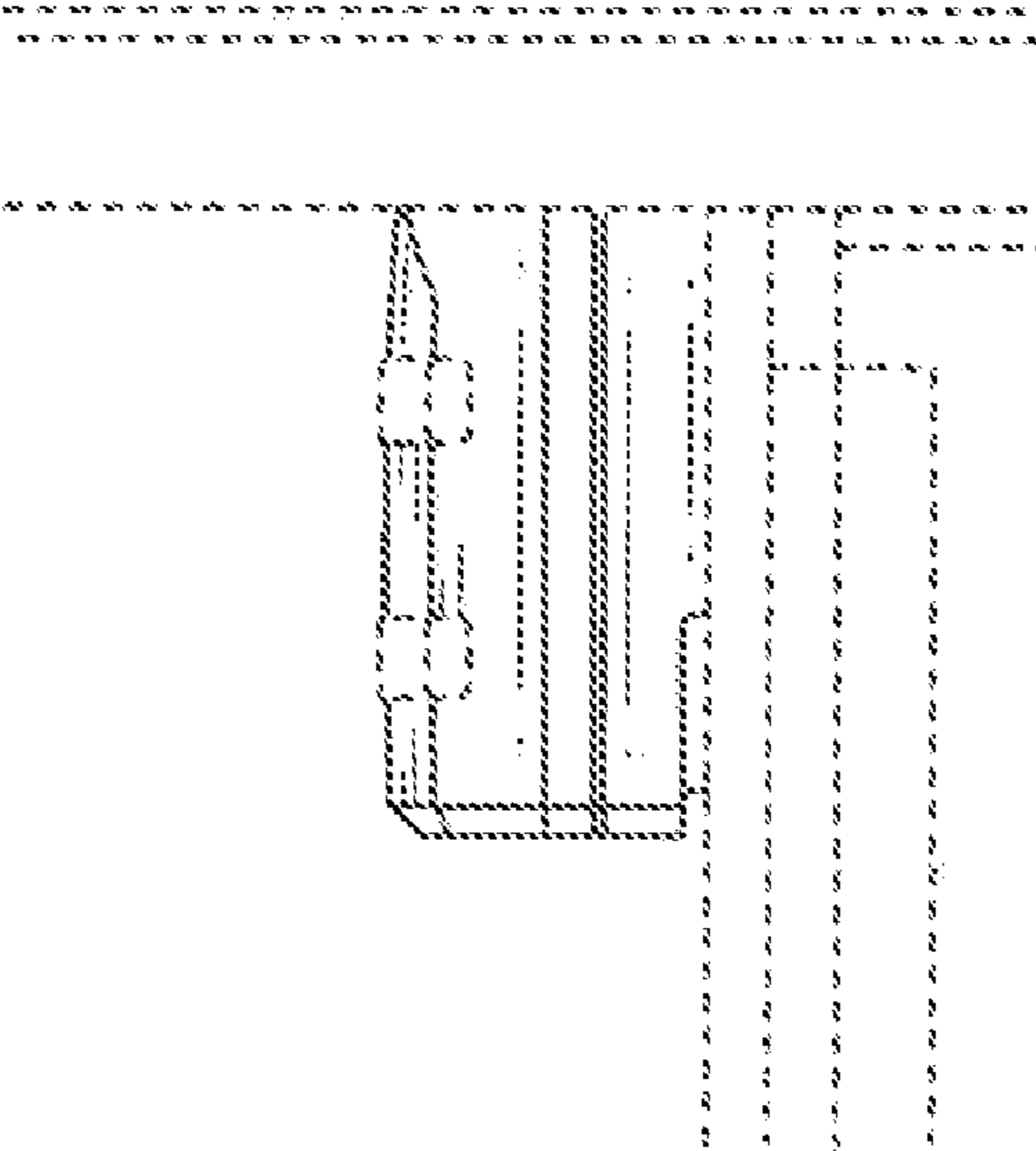


Fig. 13

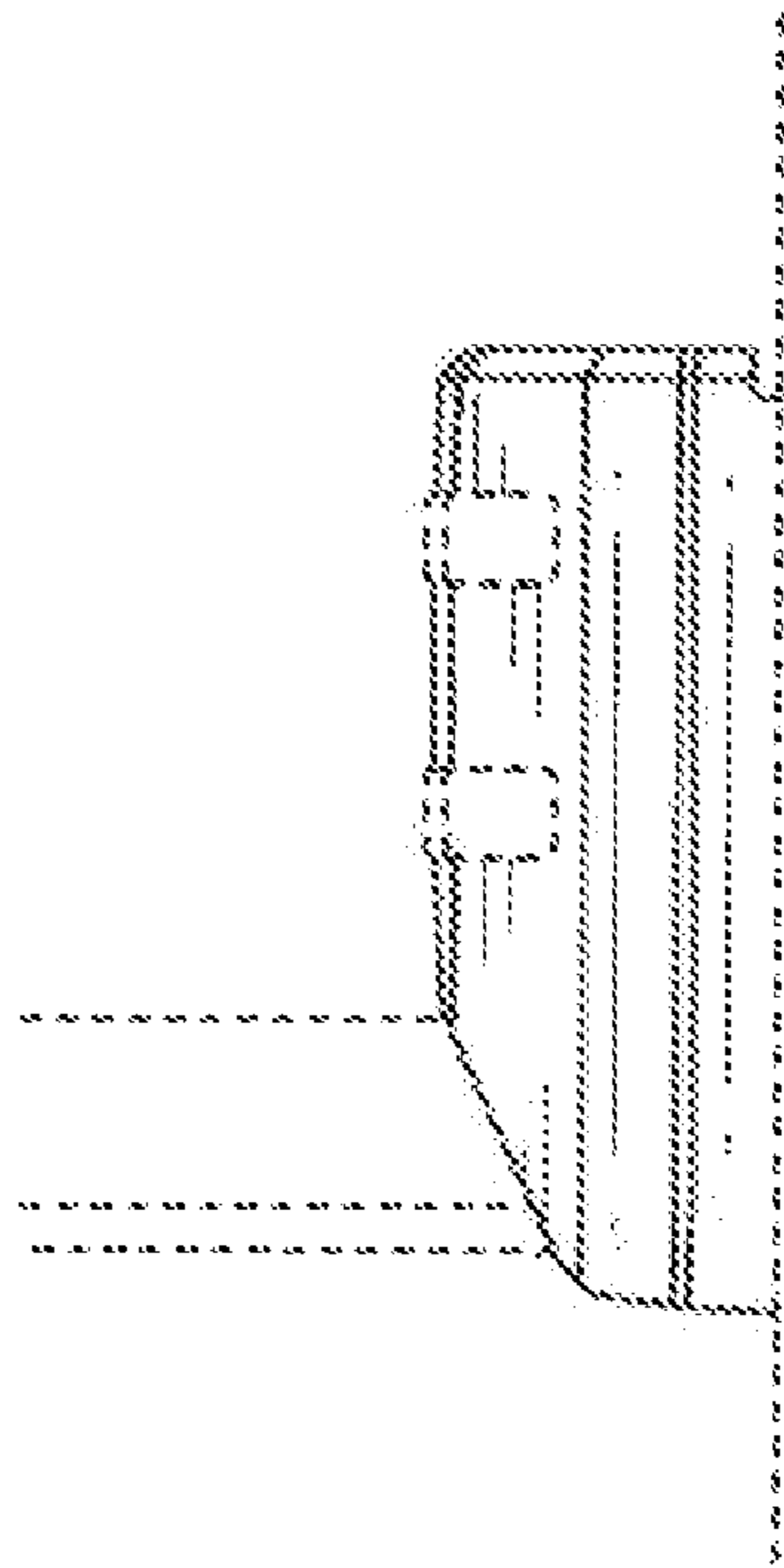


Fig.14

