

US00D594883S

(12) **United States Design Patent**
Ikeda et al.

(10) **Patent No.:** **US D594,883 S**
(45) **Date of Patent:** **** Jun. 23, 2009**

(54) **POWER SHOVEL**

(75) Inventors: **Takahiro Ikeda**, Chikugo (JP); **Saizou Kondou**, Chikugo (JP); **Takafumi Nobayashi**, Chikugo (JP); **Keiichi Nishihara**, Chikugo (JP); **Masao Nagata**, Chikugo (JP)

(73) Assignee: **Yanmar Co., Ltd.**, Osaka (JP)

(**) Term: **14 Years**

(21) Appl. No.: **29/296,382**

(22) Filed: **Oct. 18, 2007**

(30) **Foreign Application Priority Data**

Apr. 19, 2007 (JP) 2007-010555

(51) **LOC (9) Cl.** **12-09**

(52) **U.S. Cl.** **D15/25**

(58) **Field of Classification Search** D15/10,
D15/22-26, 28, 30; 414/685, 687, 688, 694,
414/722, 699, 680, 698, 719, 743; 180/89.1,
180/89.12, 89.13, 900, 326; 37/443, 379
See application file for complete search history.

(56) **References Cited**

U.S. PATENT DOCUMENTS

- 4,376,612 A 3/1983 Yeou
- D273,384 S 4/1984 Nasu et al.
- 4,552,503 A 11/1985 Mouri et al.
- D309,313 S 7/1990 Takashima et al.
- D312,468 S 11/1990 Masumoto et al.
- 5,222,563 A 6/1993 Van Horlick
- D338,019 S 8/1993 Bhambra
- D354,497 S 1/1995 Kusunoki et al.
- D375,103 S 10/1996 Masumoto et al.
- D383,469 S 9/1997 Ishizaki et al.
- D387,360 S 12/1997 Ishizaki et al.
- 5,711,095 A 1/1998 Oda et al.
- D391,272 S 2/1998 Jin et al.
- D406,152 S 2/1999 Miyaoka et al.
- D409,629 S 5/1999 Miyaoka et al.

- D431,253 S 9/2000 Marchetta et al.
- 6,170,588 B1 1/2001 Irino et al.
- D440,235 S 4/2001 Kuwae et al.
- D450,331 S 11/2001 Murakami et al.
- D450,717 S 11/2001 Muraro
- D460,975 S 7/2002 Yanagida et al.
- D462,973 S 9/2002 Tamaru et al.
- D462,974 S 9/2002 Yanagida et al.
- D463,455 S 9/2002 Yanagida et al.
- 6,502,896 B1 1/2003 Nakata et al.
- D473,571 S 4/2003 Kuwae et al.
- D474,481 S * 5/2003 Hara D15/25
- 6,615,942 B2 9/2003 Shinohara et al.
- 6,729,831 B1 5/2004 Kawamura et al.
- D511,531 S * 11/2005 Sewell et al. D15/24
- D518,071 S 3/2006 Gwak et al.
- D527,027 S * 8/2006 Smith et al. D15/24

(Continued)

Primary Examiner—Stella M Reid

Assistant Examiner—Mark A Goodwin

(74) *Attorney, Agent, or Firm*—Sterne Kessler Goldstein & Fox P.L.L.C.

(57) **CLAIM**

The ornamental design for a power shovel, substantially as shown and described.

DESCRIPTION

FIG. 1 is a front perspective view of a power shovel showing our new design;

FIG. 2 is a rear perspective view thereof;

FIG. 3 is a right side view thereof

FIG. 4 is a left side view thereof;

FIG. 5 is a top plan view thereof;

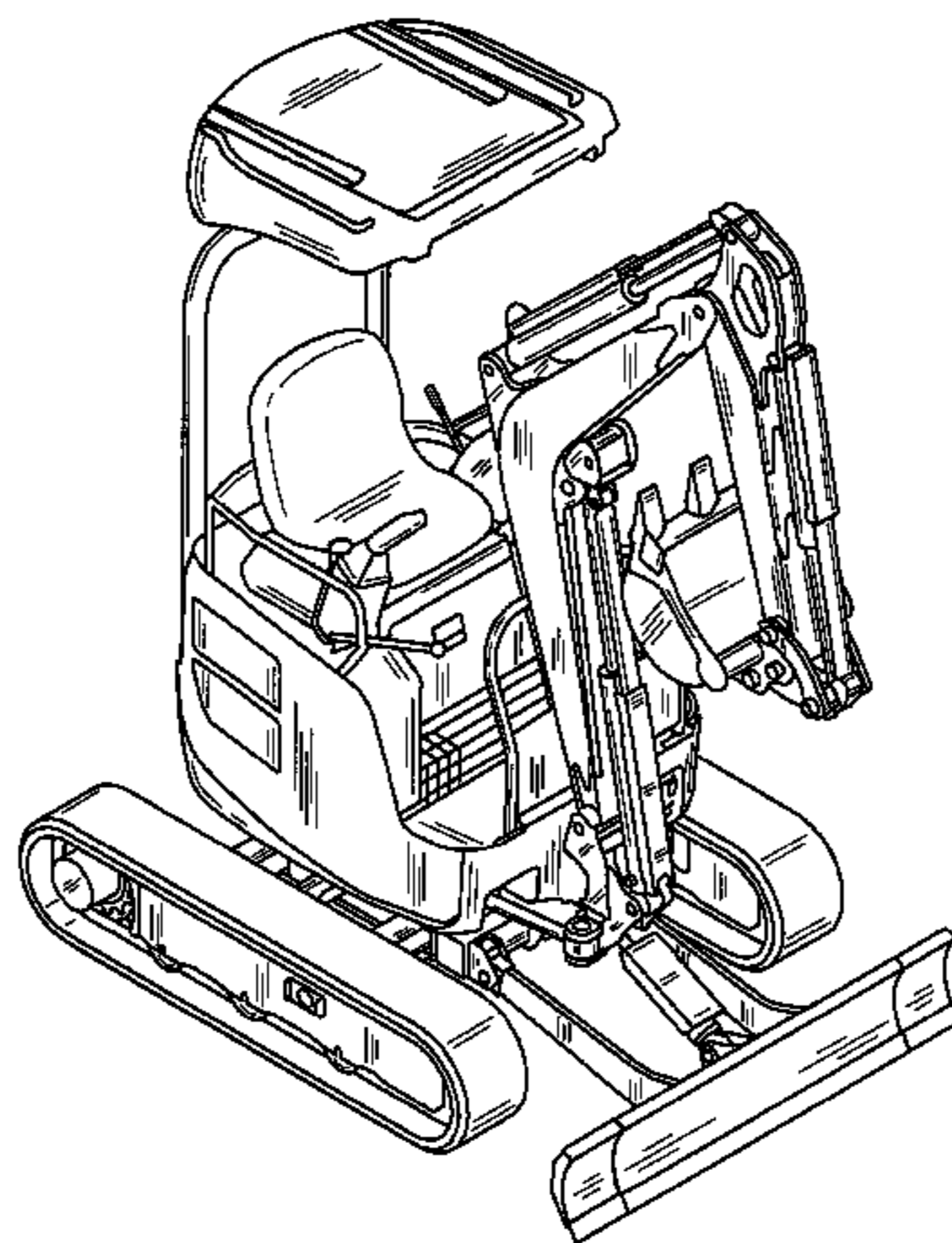
FIG. 6 is a bottom plan view thereof;

FIG. 7 is a rear view thereof;

FIG. 8 is a front view thereof; and,

FIG. 9 is a top plan cross sectional view taken along line 9—9 in FIG. 8.

1 Claim, 9 Drawing Sheets



US D594,883 S

Page 2

U.S. PATENT DOCUMENTS

7,131,687 B2 11/2006 Yokoo et al.
D538,304 S 3/2007 Uemura

D538,827 S 3/2007 Uemura
D576,180 S * 9/2008 Kuwae et al. D15/25

* cited by examiner

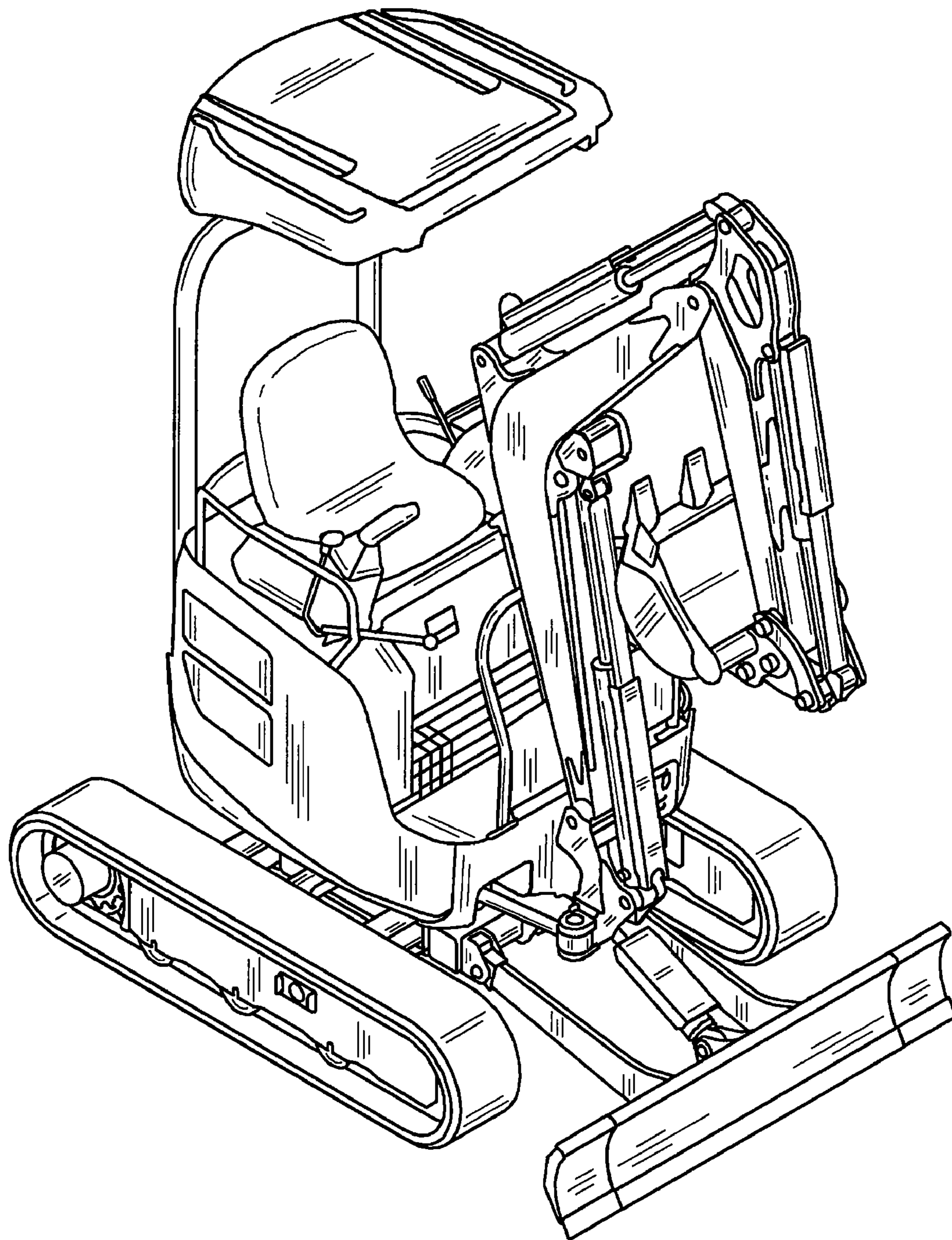


FIG. 1

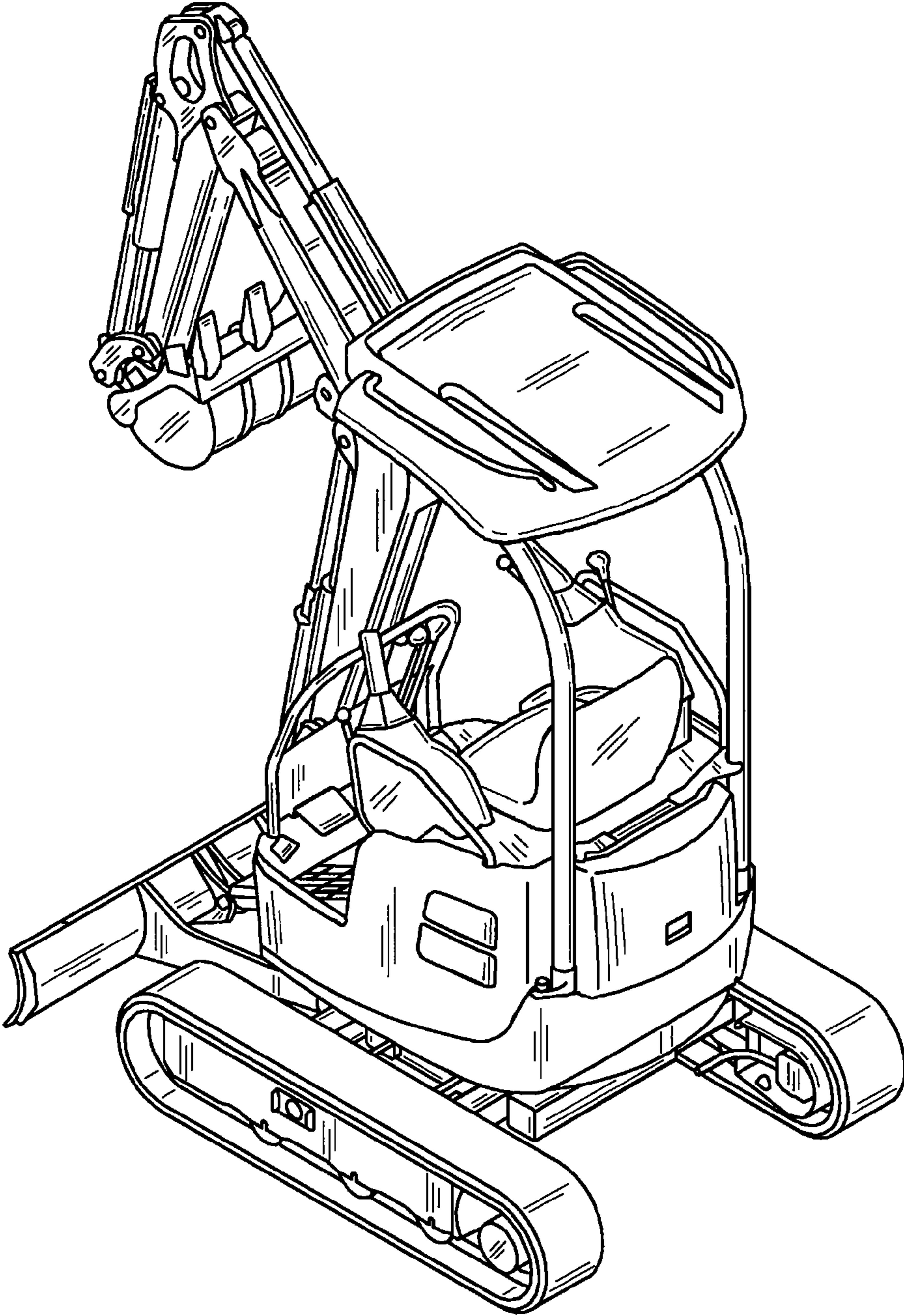


FIG. 2

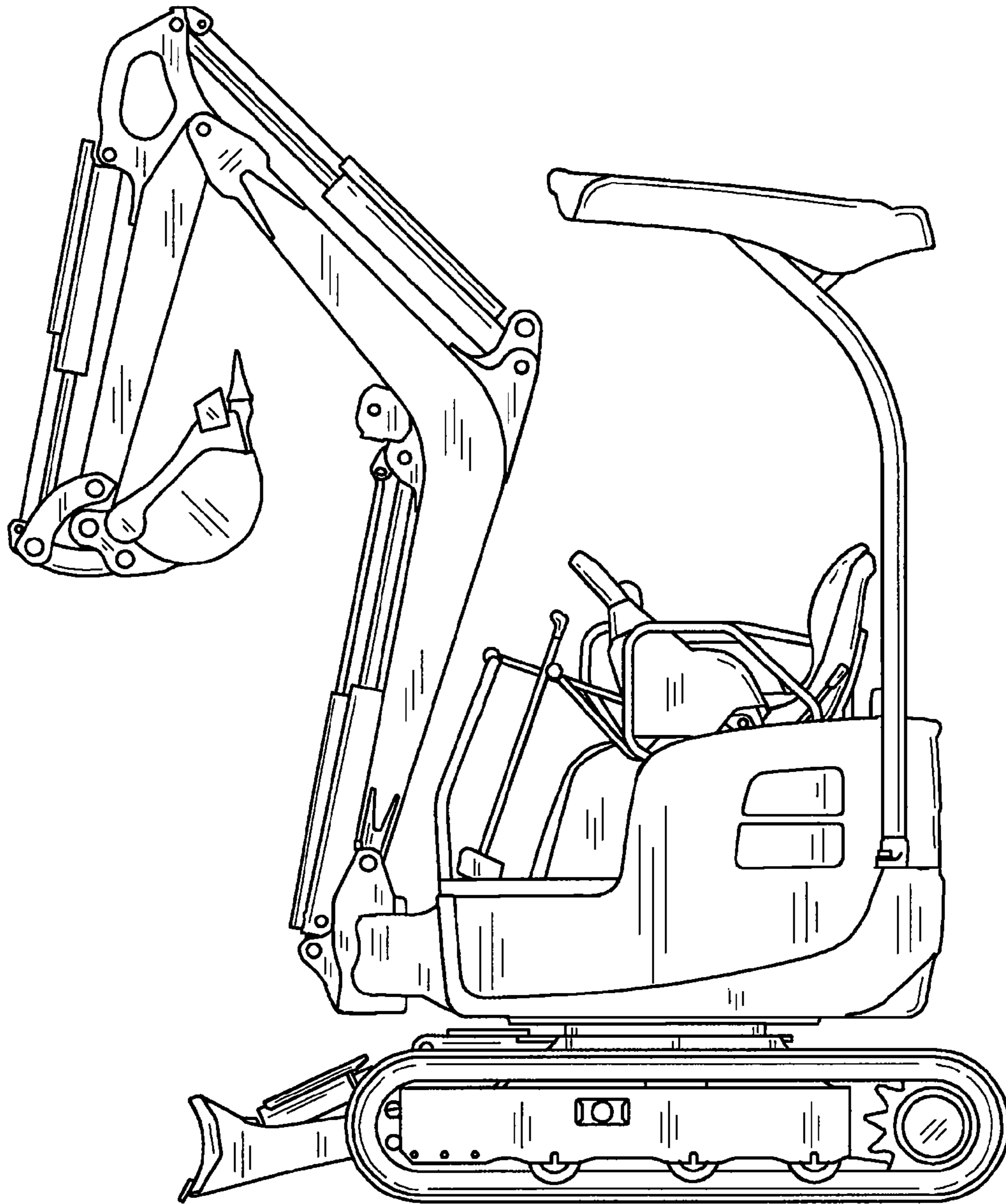


FIG. 3

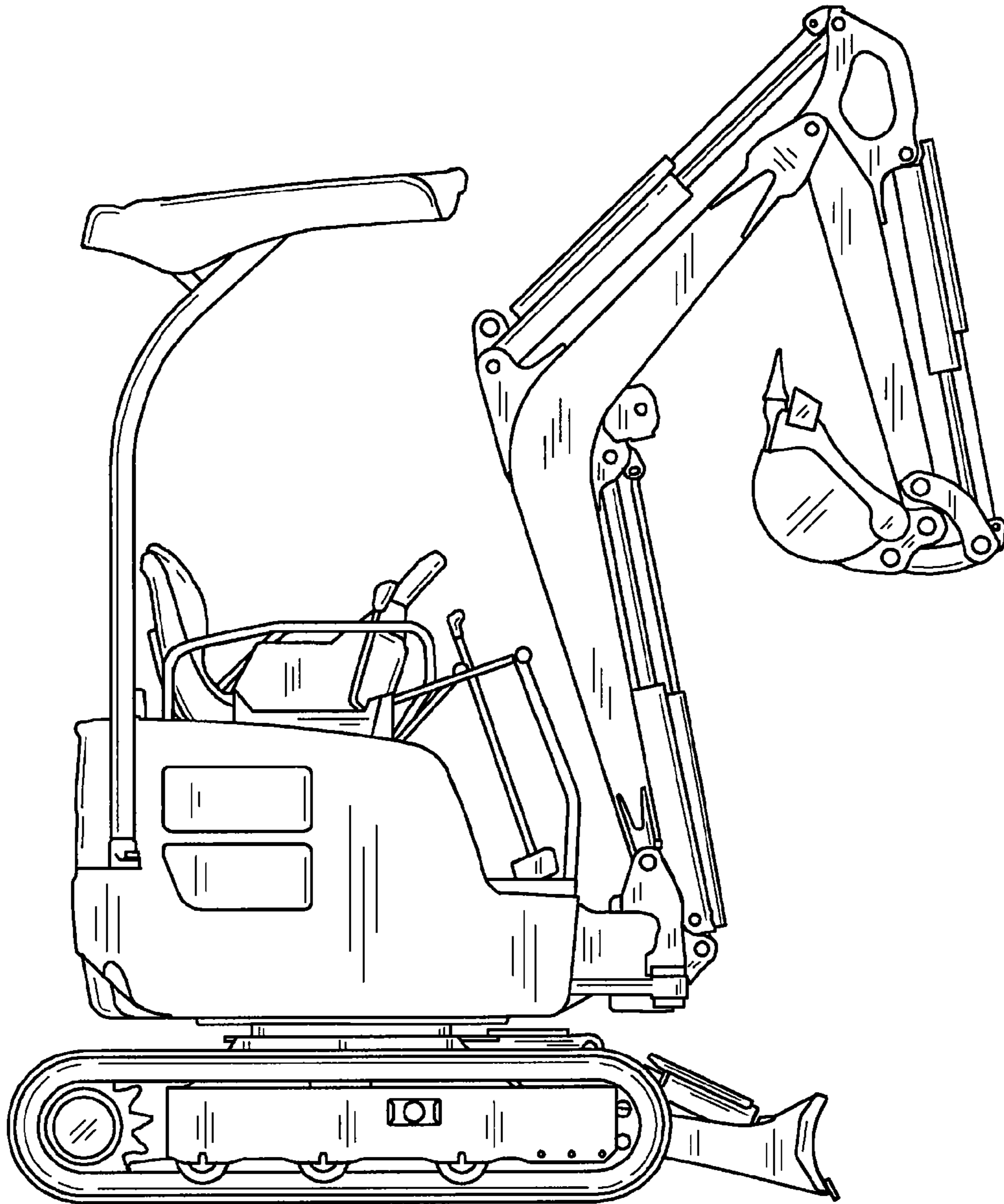


FIG. 4

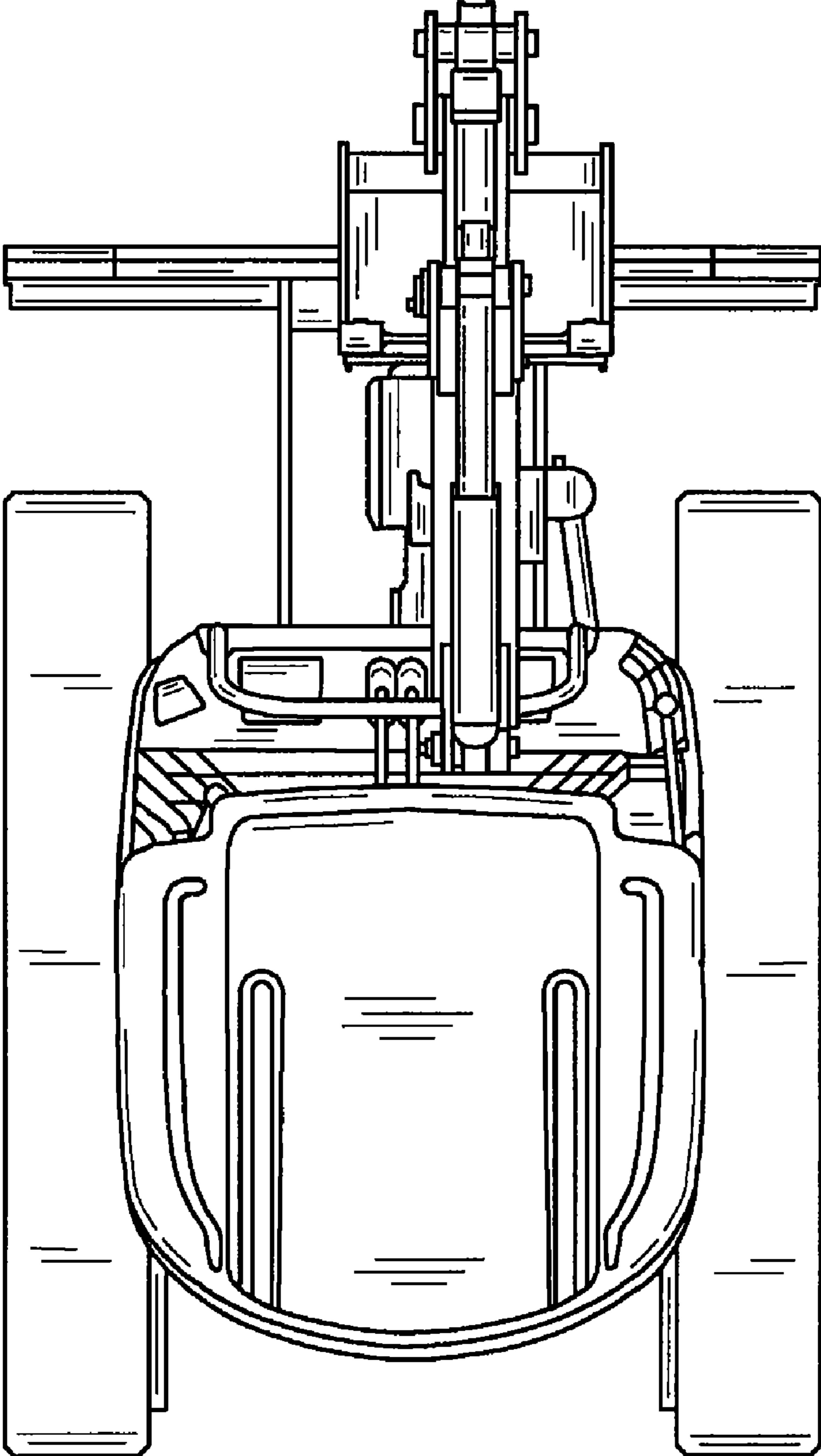


FIG. 5

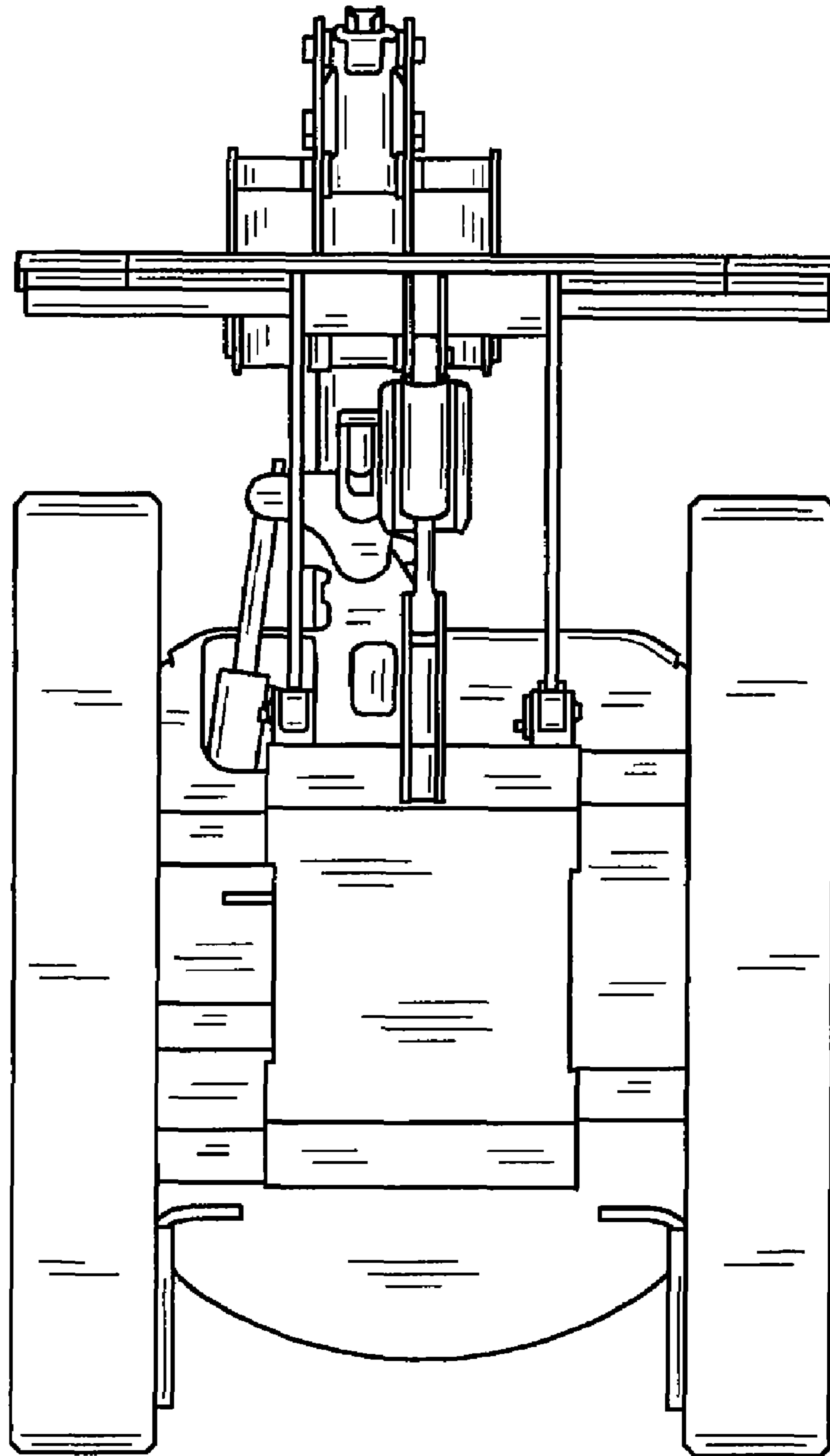


FIG. 6

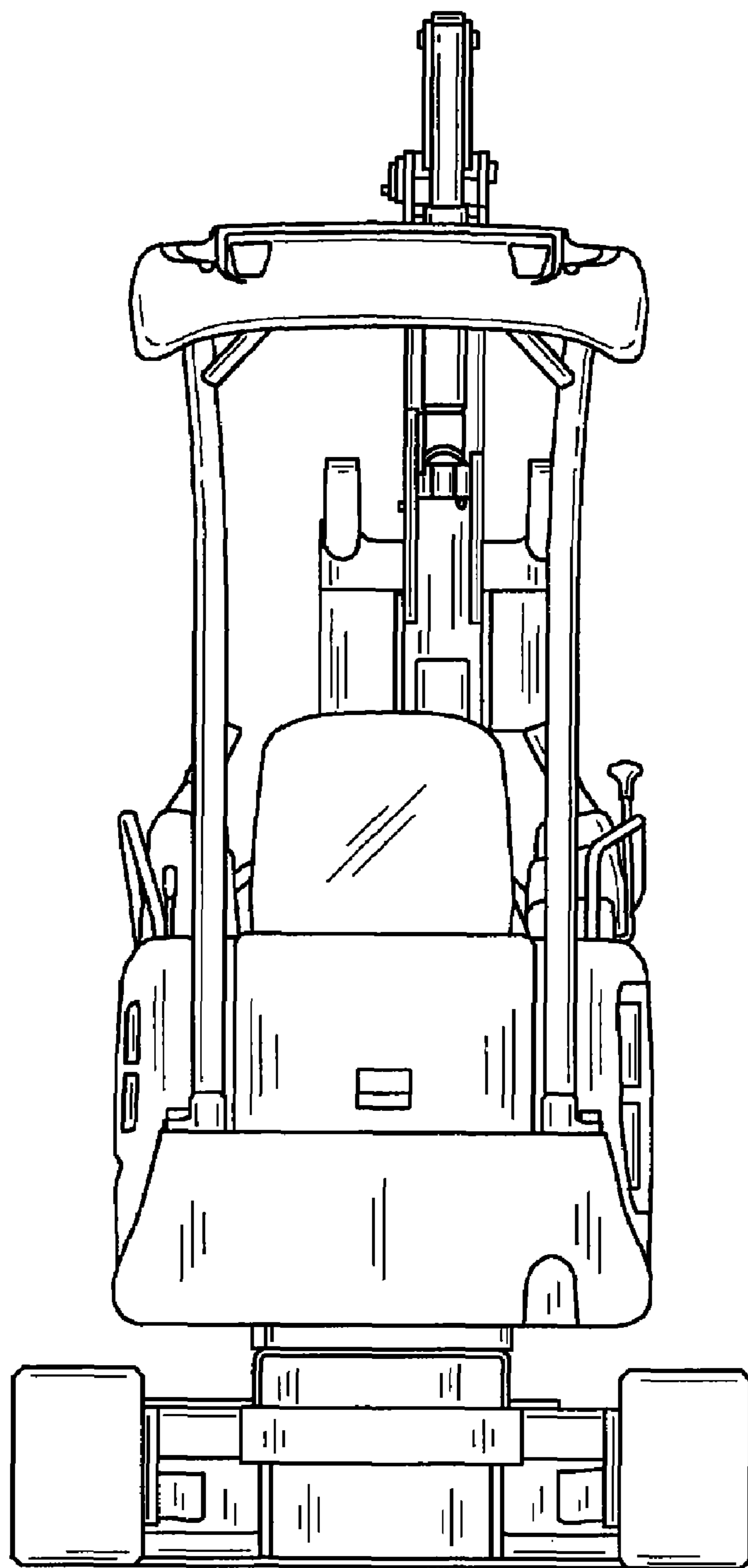


FIG. 7

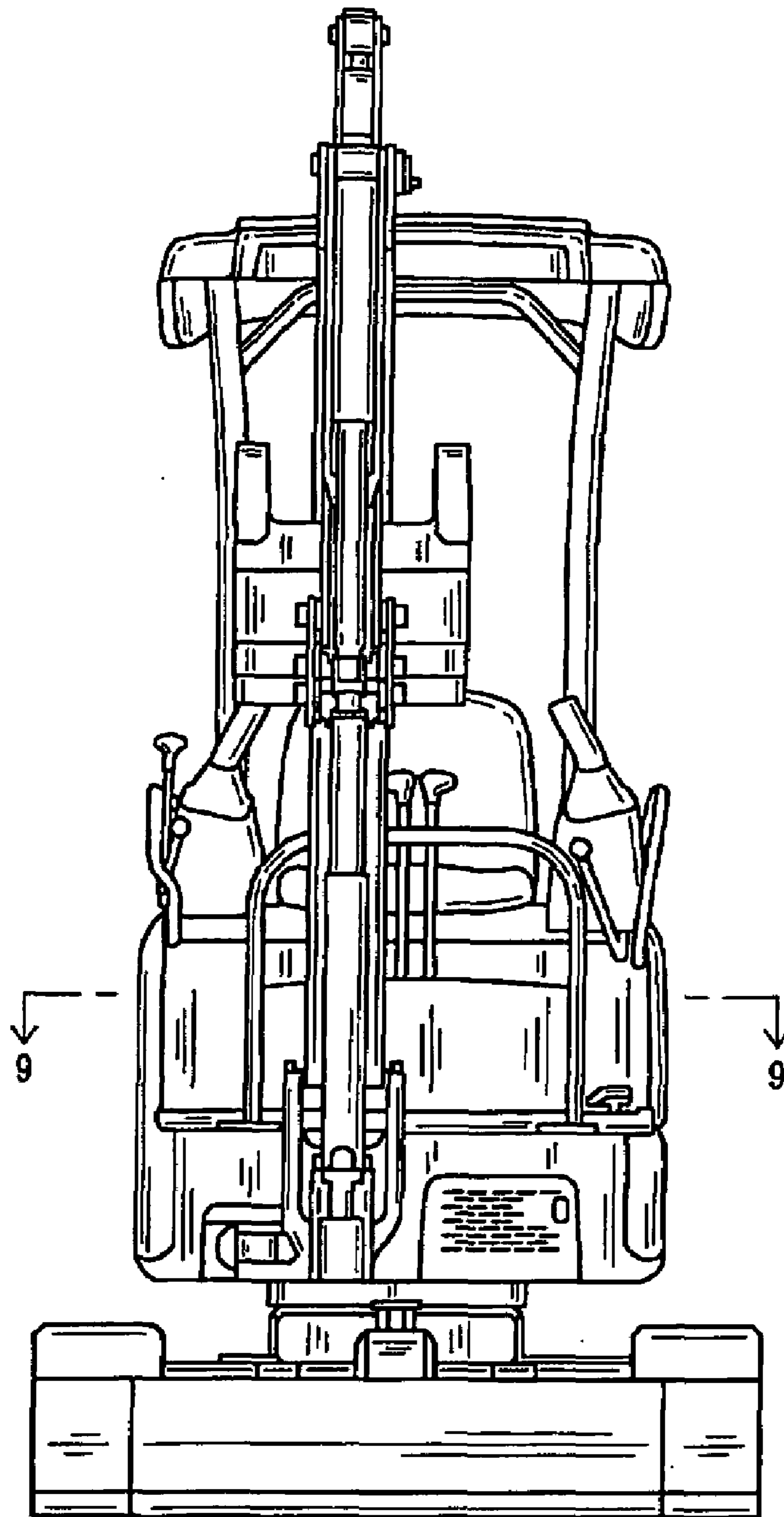


FIG. 8

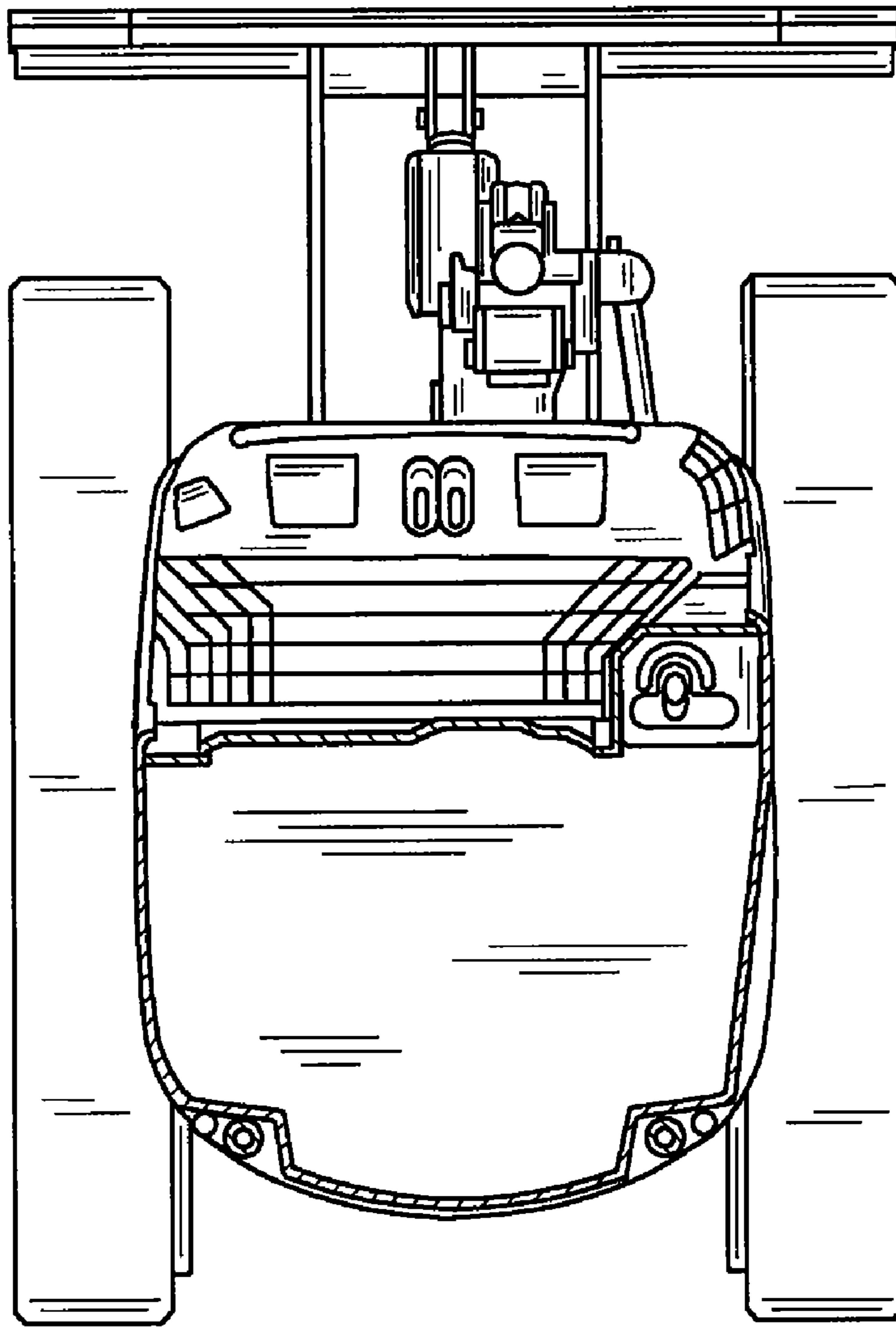


FIG. 9