



US00D594882S

(12) **United States Design Patent**  
**Schultz**

(10) **Patent No.:** **US D594,882 S**  
(45) **Date of Patent:** **\*\* Jun. 23, 2009**

(54) **SNOWPLOW BLADE**

(76) Inventor: **Lynn W. Schultz**, N971 Hwy. G,  
Campbellsport, WI (US) 53010

(\*\*) Term: **14 Years**

(21) Appl. No.: **29/312,755**

(22) Filed: **Nov. 13, 2008**

(51) **LOC (9) Cl.** ..... **15-03**

(52) **U.S. Cl.** ..... **D15/11**

(58) **Field of Classification Search** ..... D15/10,  
D15/11, 12, 23, 25, 28, 32; 37/266, 275,  
37/196, 281, 273, 276, 231–236; 172/811,  
172/815, 701.1, 817, 826, 821

See application file for complete search history.

(56) **References Cited**

U.S. PATENT DOCUMENTS

|              |      |         |                   |           |
|--------------|------|---------|-------------------|-----------|
| 3,202,226    | A *  | 8/1965  | Carson            | 172/701.3 |
| 3,214,138    | A *  | 10/1965 | Joher et al.      | 254/124   |
| 3,465,456    | A *  | 9/1969  | Meyer             | 37/233    |
| 4,571,861    | A    | 2/1986  | Klever et al.     |           |
| 5,129,170    | A *  | 7/1992  | Fusilli           | 37/231    |
| D377,653     | S *  | 1/1997  | Matisz et al.     | D15/11    |
| 5,729,919    | A *  | 3/1998  | DeBoer            | 37/270    |
| D477,610     | S *  | 7/2003  | Matsumoto et al.  | D15/11    |
| 6,594,923    | B1 * | 7/2003  | Kost et al.       | 37/231    |
| D478,097     | S *  | 8/2003  | Vennard et al.    | D15/11    |
| 6,618,964    | B2 * | 9/2003  | Kost et al.       | 37/231    |
| D511,173     | S *  | 11/2005 | Fatemi            | D15/11    |
| D570,377     | S *  | 6/2008  | Evans et al.      | D15/11    |
| 2001/0023546 | A1 * | 9/2001  | Fulton            | 37/231    |
| 2002/0043009 | A1 * | 4/2002  | Fulton, III       | 37/266    |
| 2003/0066210 | A1 * | 4/2003  | Hollinrake et al. | 37/232    |
| 2003/0110666 | A1 * | 6/2003  | Kost et al.       | 37/231    |
| 2003/0182824 | A1 * | 10/2003 | Coffin et al.     | 37/266    |
| 2006/0026870 | A1 * | 2/2006  | Karhi             | 37/266    |

(Continued)

Primary Examiner—Stella M Reid

Assistant Examiner—Mark A Goodwin

(74) Attorney, Agent, or Firm—Robert T. Johnson

(57) **CLAIM**

I claim the ornamental design for a snowplow blade, as shown and described.

**DESCRIPTION**

FIG. 1 is a front elevation view of a first embodiment of a snowplow blade showing my new design;

FIG. 2 is a rear elevation view thereof;

FIG. 3 is a top plan view thereof shown along line 3—3 in FIG. 1;

FIG. 4 is a right side elevation view thereof shown along line 4—4 in FIG. 1;

FIG. 5 is a left side elevation view thereof shown along line 5—5 in FIG. 1;

FIG. 6 is a bottom plan view thereof shown along line 6—6 in FIG. 2;

FIG. 7 is a right rear perspective view thereof shown in use condition;

FIG. 8 is a right front perspective view thereof shown in use condition;

FIG. 9 is a front elevation view of a second embodiment of a snowplow blade showing my new design;

FIG. 10 is a rear elevation view thereof;

FIG. 11 is a top plan view thereof shown along line 11—11 in FIG. 9;

FIG. 12 is right side elevation view thereof shown along line 12—12 in FIG. 9;

FIG. 13 is a left side elevation view thereof shown along line 13—13 in FIG. 9;

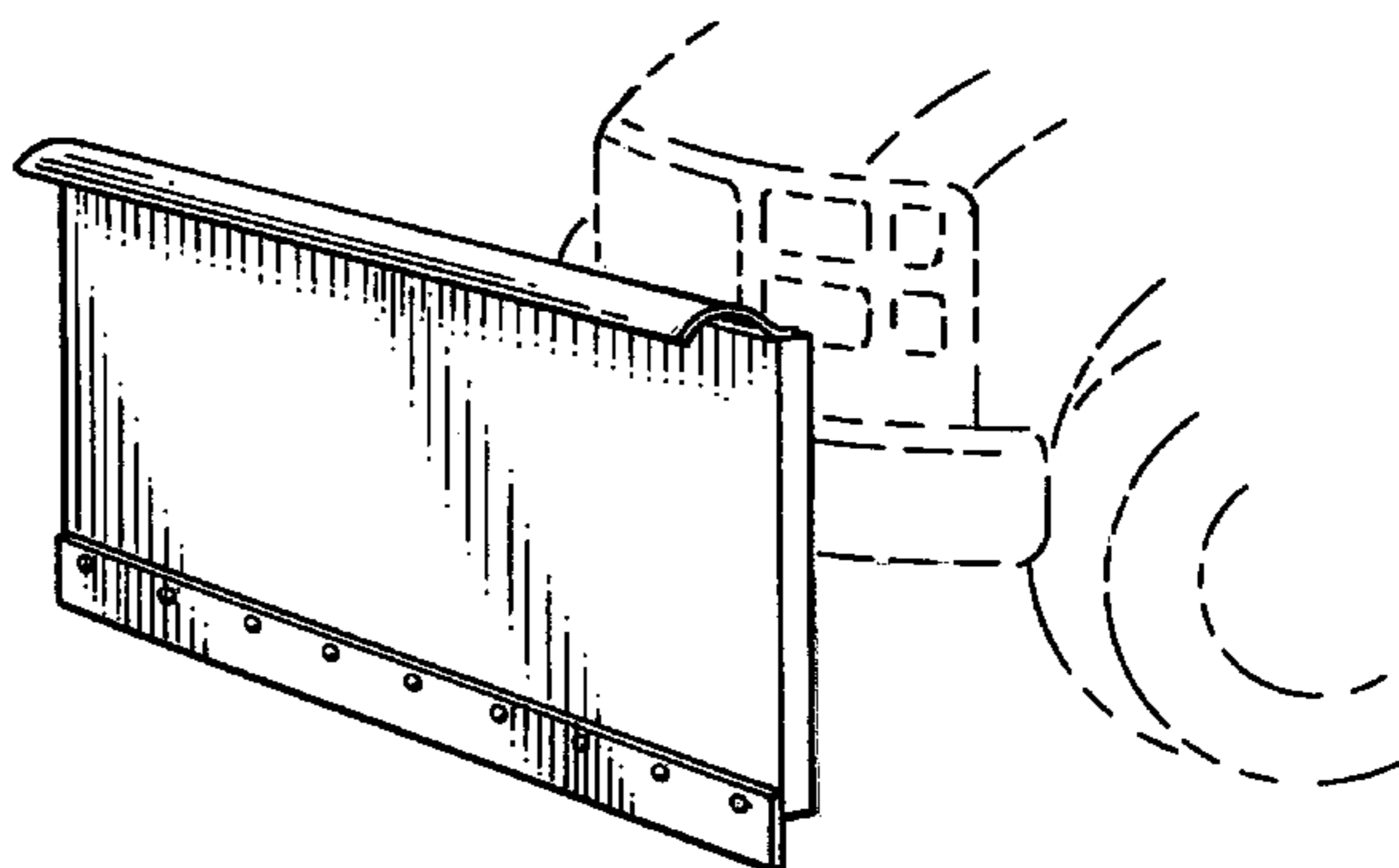
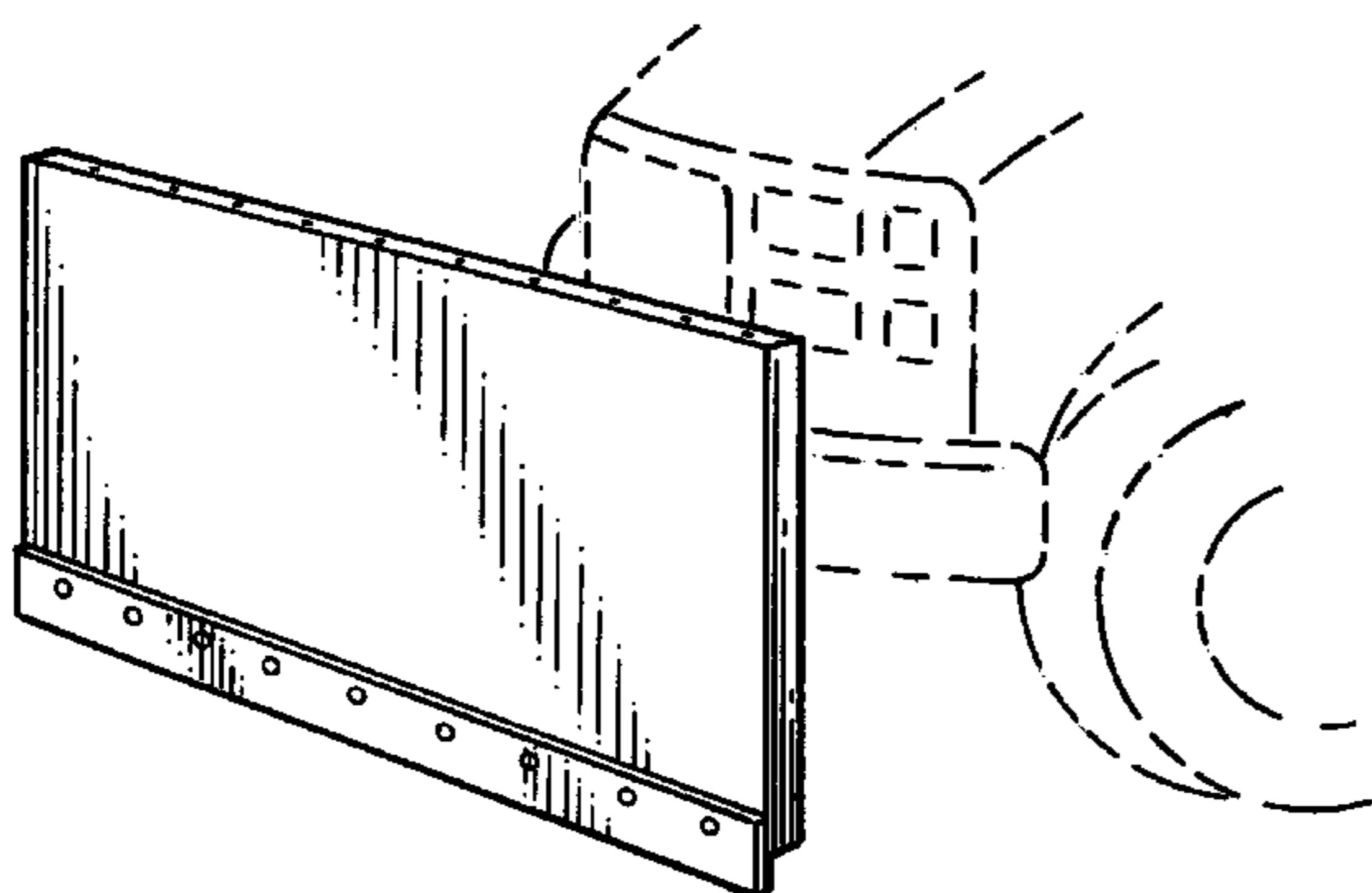
FIG. 14 is a bottom plan view thereof shown along line 14—14 in FIG. 10;

FIG. 15 is a right rear perspective view thereof shown in use condition; and,

FIG. 16 is a right front perspective thereof shown in use condition.

The dashed lines in FIGS. 7, 8, 15, and 16 are for illustrative purposes only and form no part of the claimed design.

**1 Claim, 6 Drawing Sheets**



# US D594,882 S

Page 2

---

## U.S. PATENT DOCUMENTS

|              |     |         |                     |        |              |     |         |                   |         |
|--------------|-----|---------|---------------------|--------|--------------|-----|---------|-------------------|---------|
| 2006/0123669 | A1* | 6/2006  | Christy et al. .... | 37/272 | 2008/0073090 | A1* | 3/2008  | Harris .....      | 172/275 |
| 2007/0137070 | A1* | 6/2007  | Dejana .....        | 37/231 | 2008/0235996 | A1* | 10/2008 | Evans et al. .... | 37/232  |
| 2007/0245600 | A1  | 10/2007 | Hamel               |        | 2008/0244935 | A1* | 10/2008 | Crimmins .....    | 37/266  |

\* cited by examiner

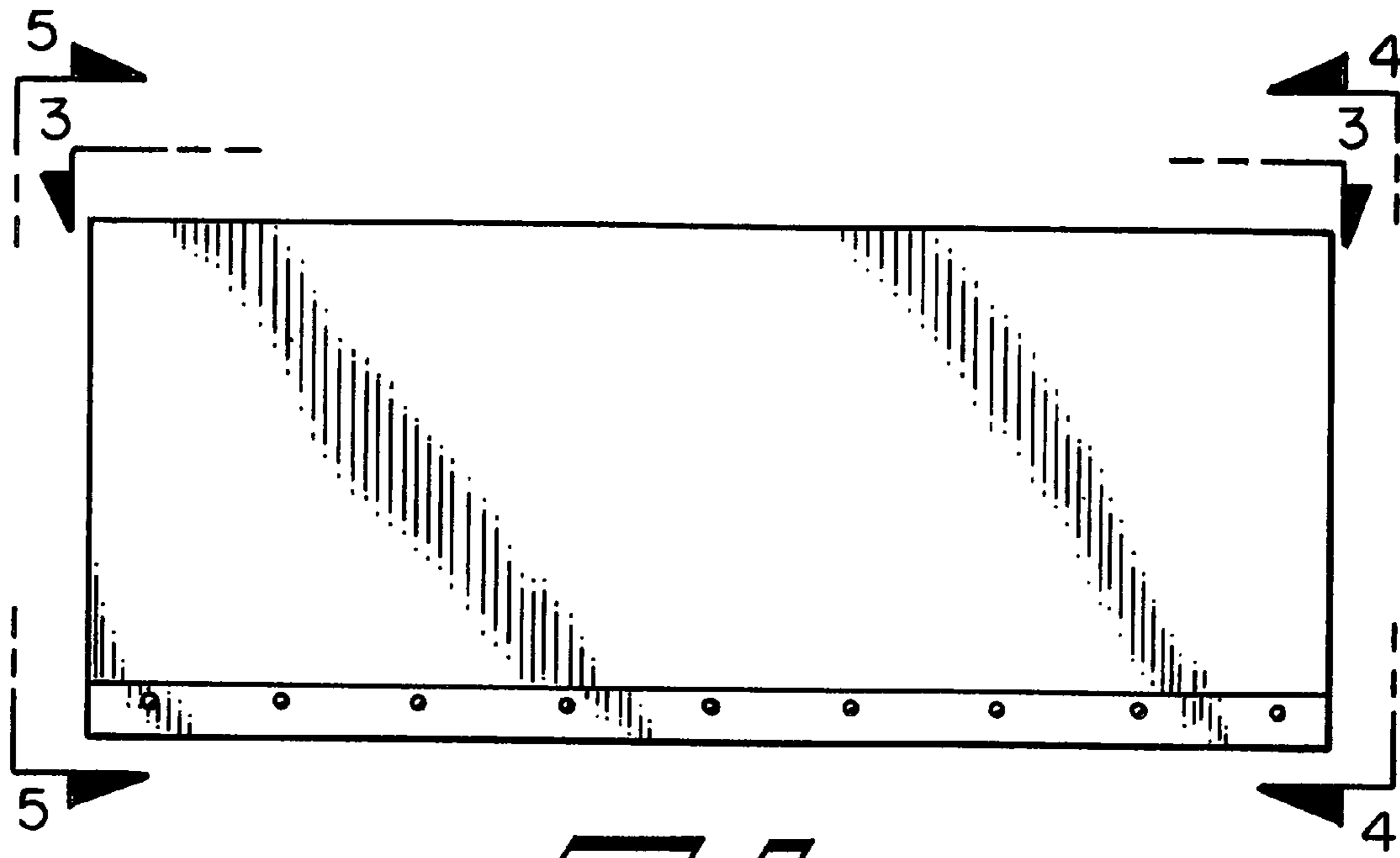


FIG. 1

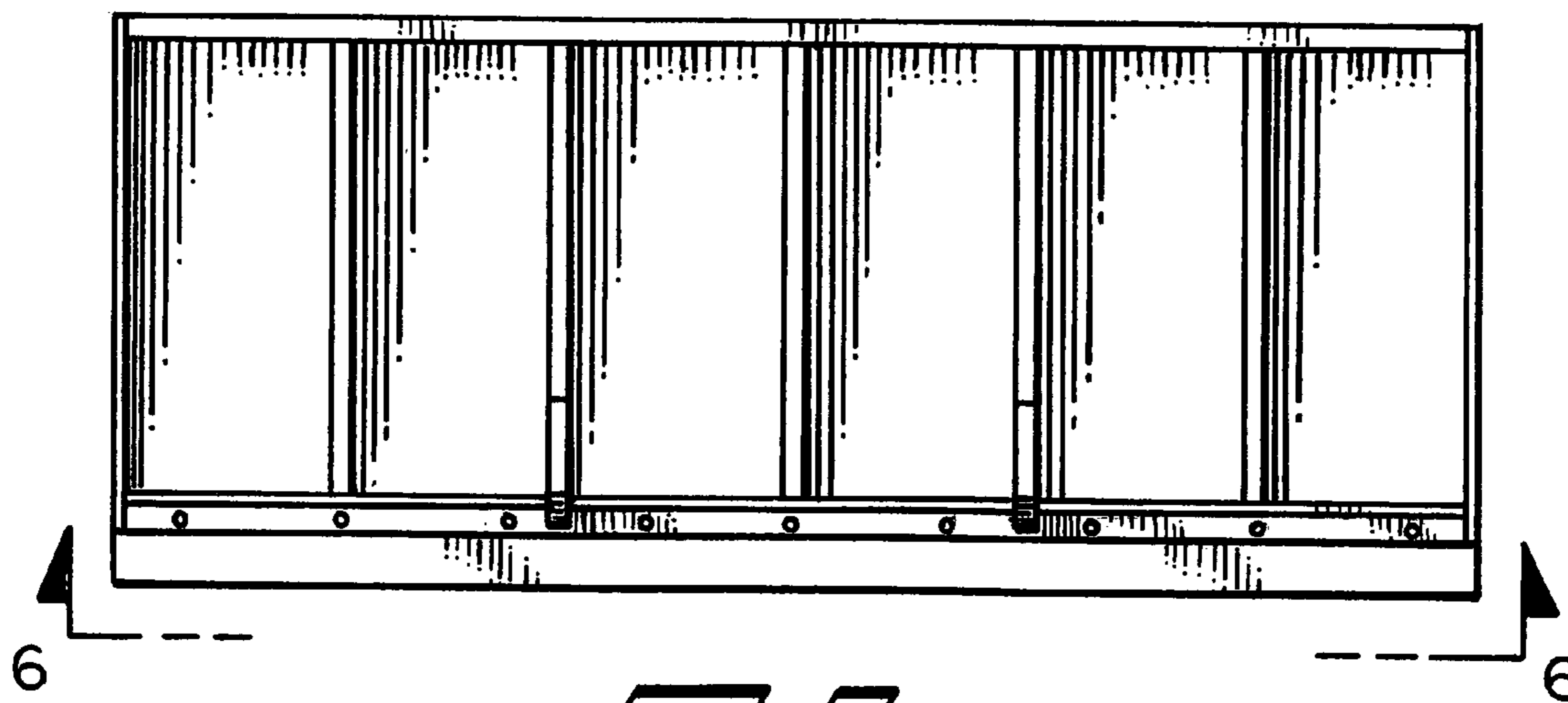


FIG. 2

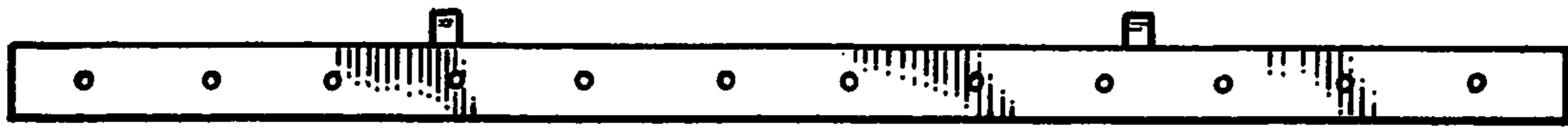


FIG 3



FIG 6

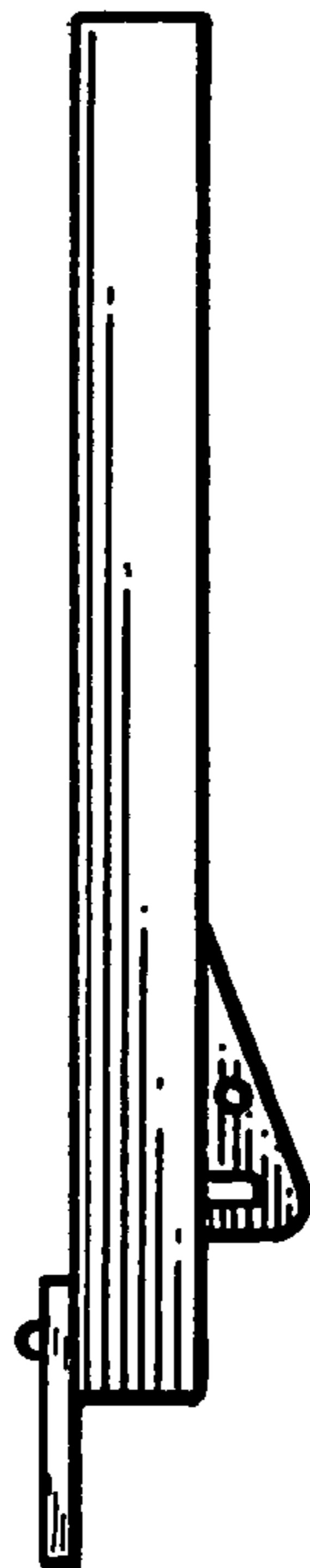


FIG 4

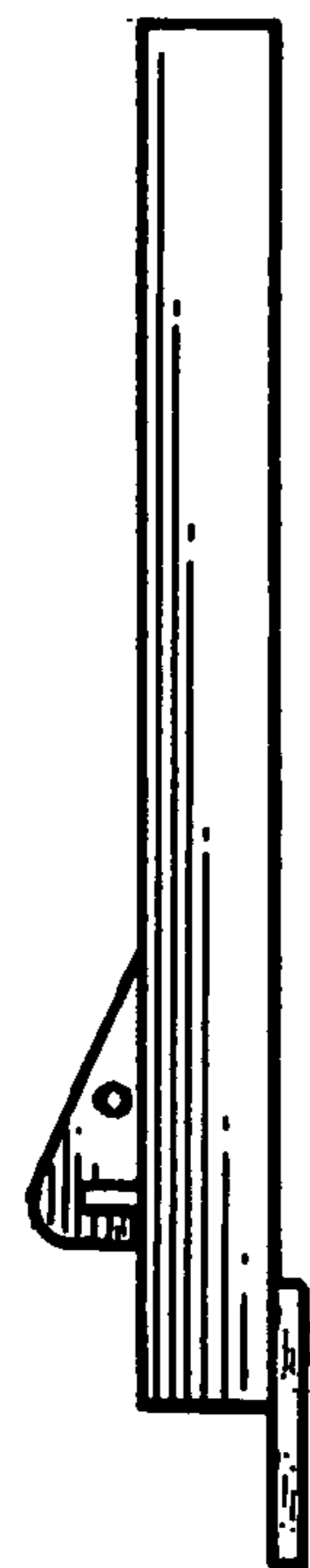
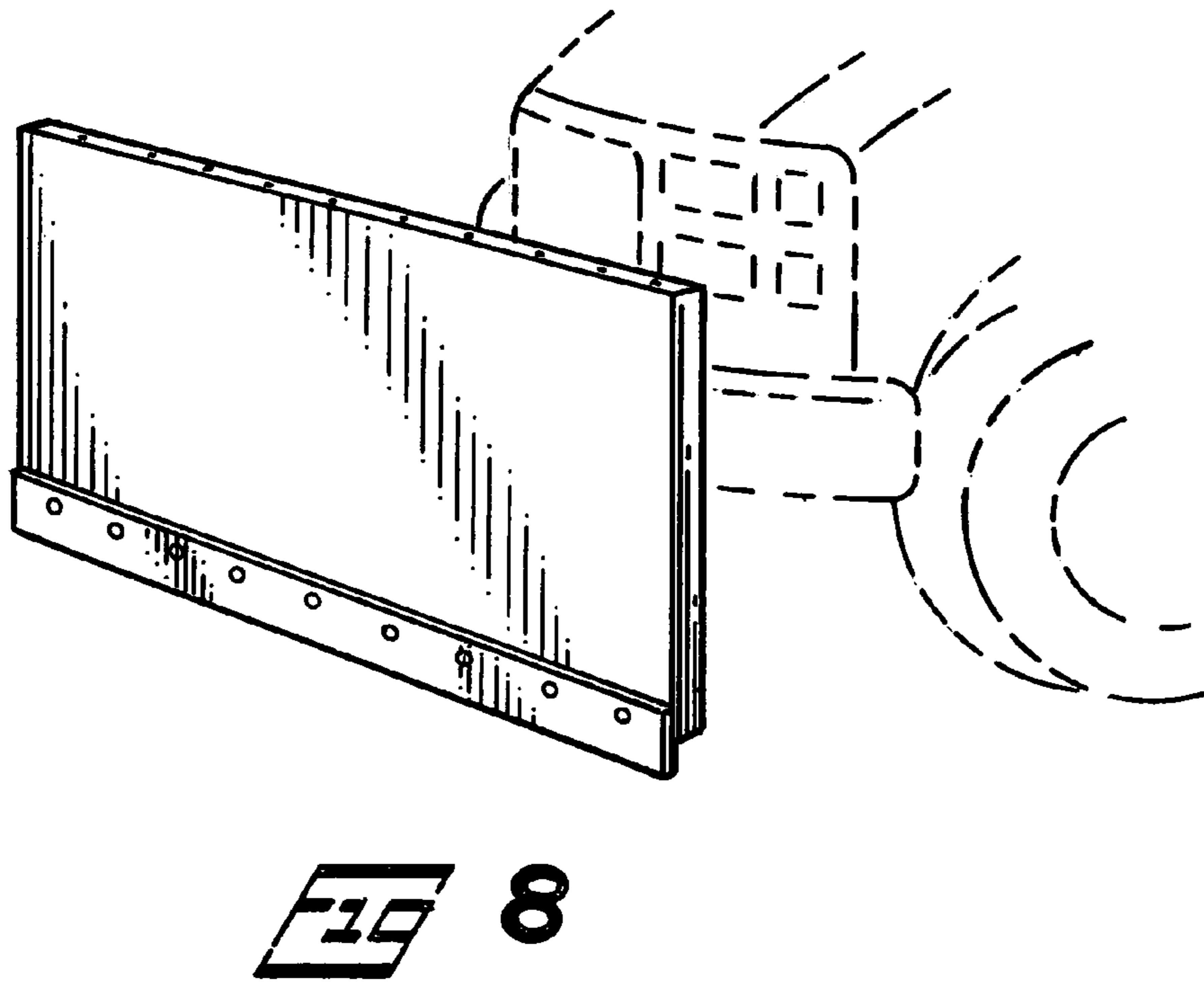
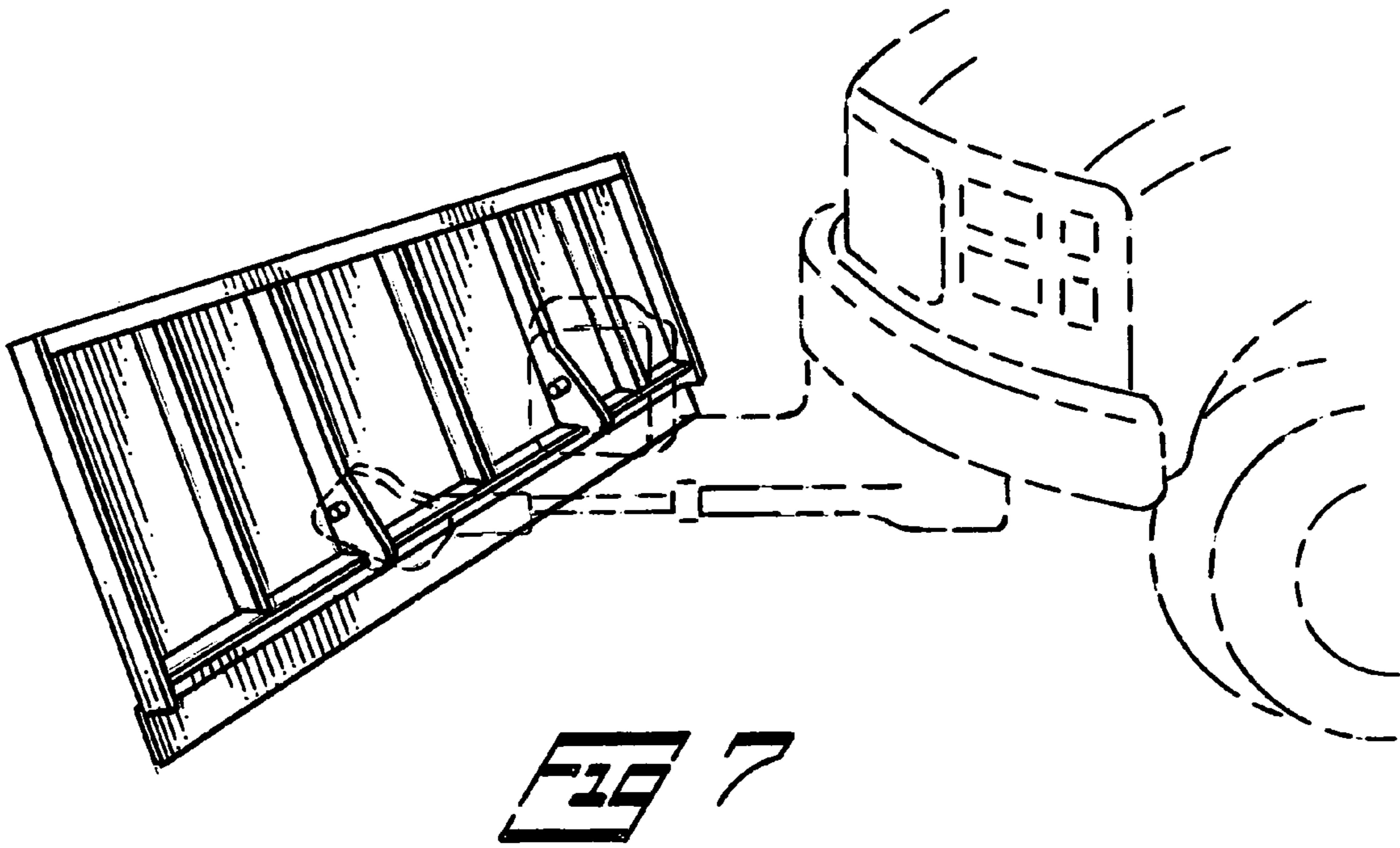
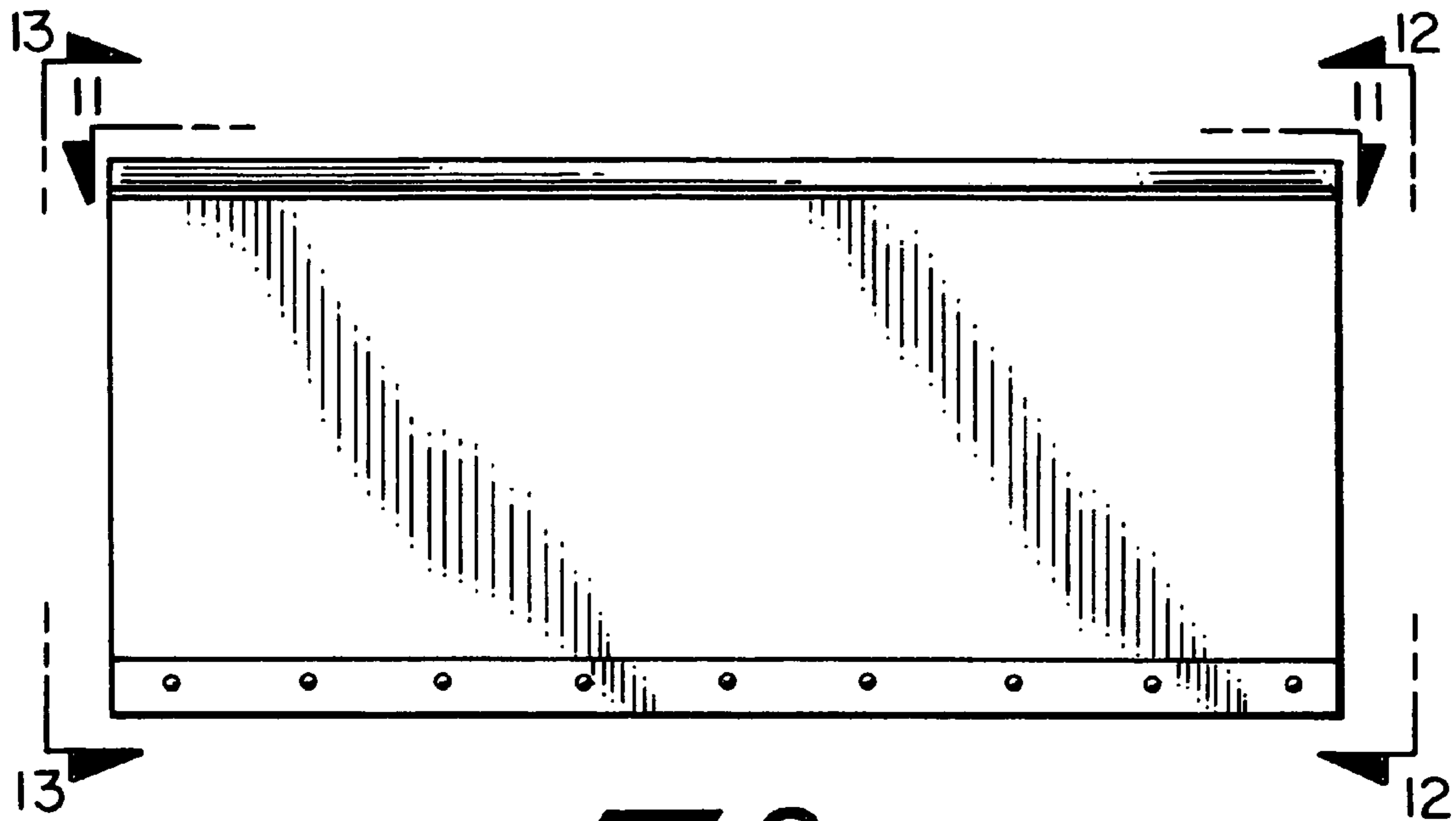
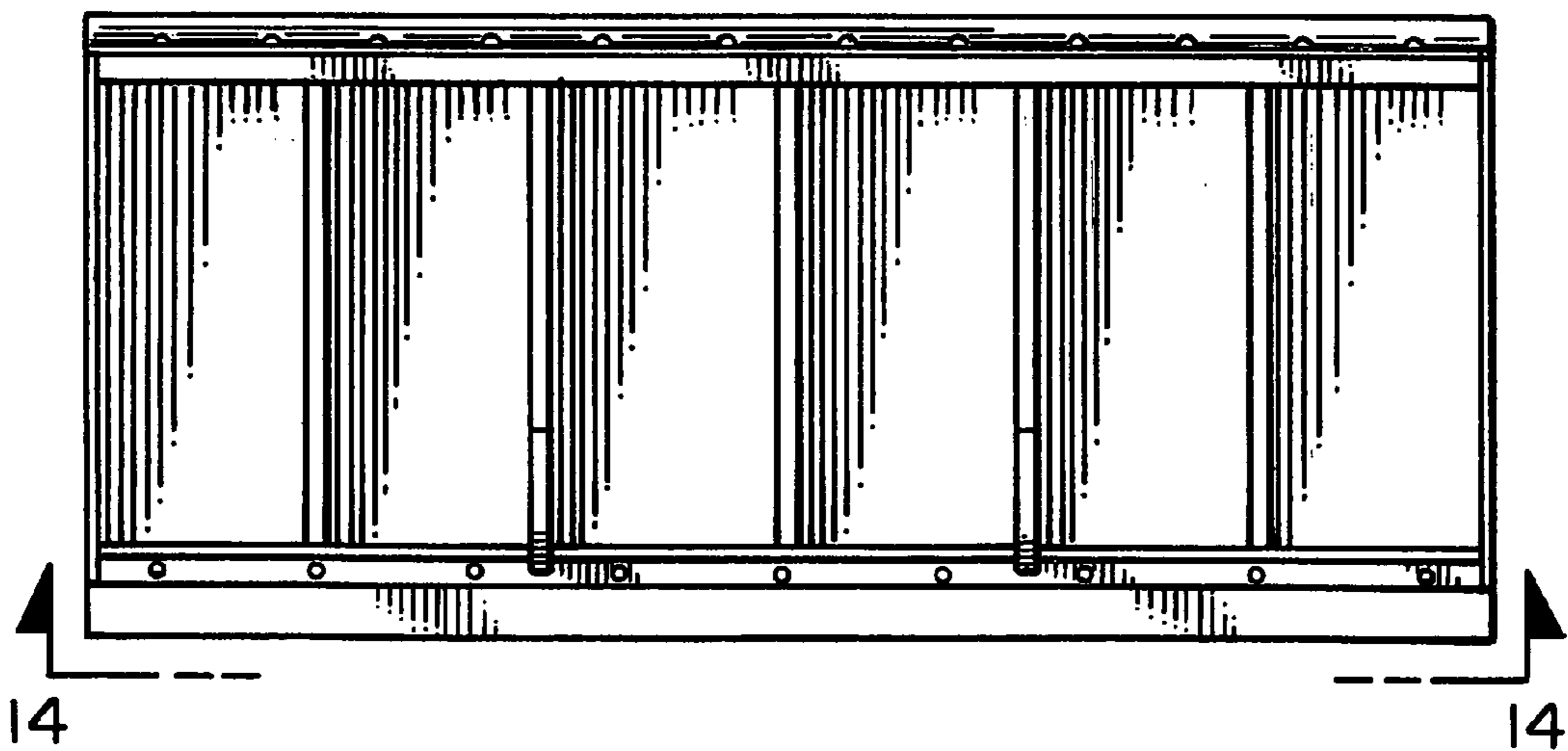


FIG 5





**FIG 9**



**FIG 10**

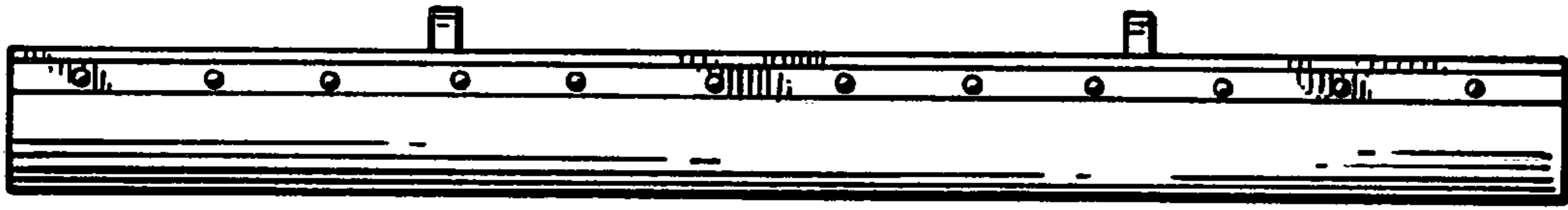


FIG 11

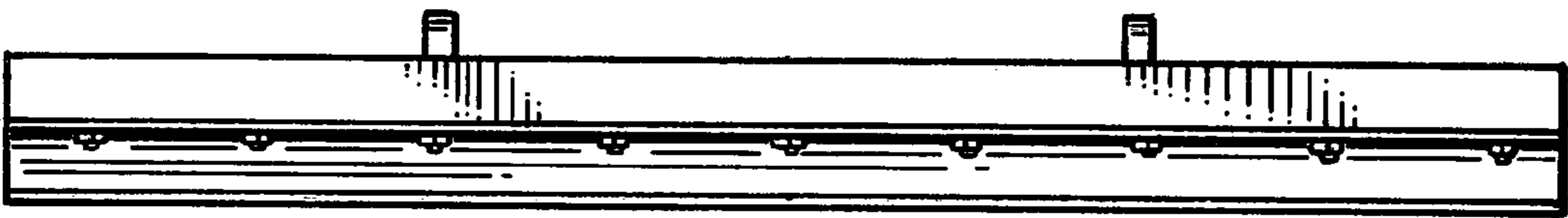


FIG 14

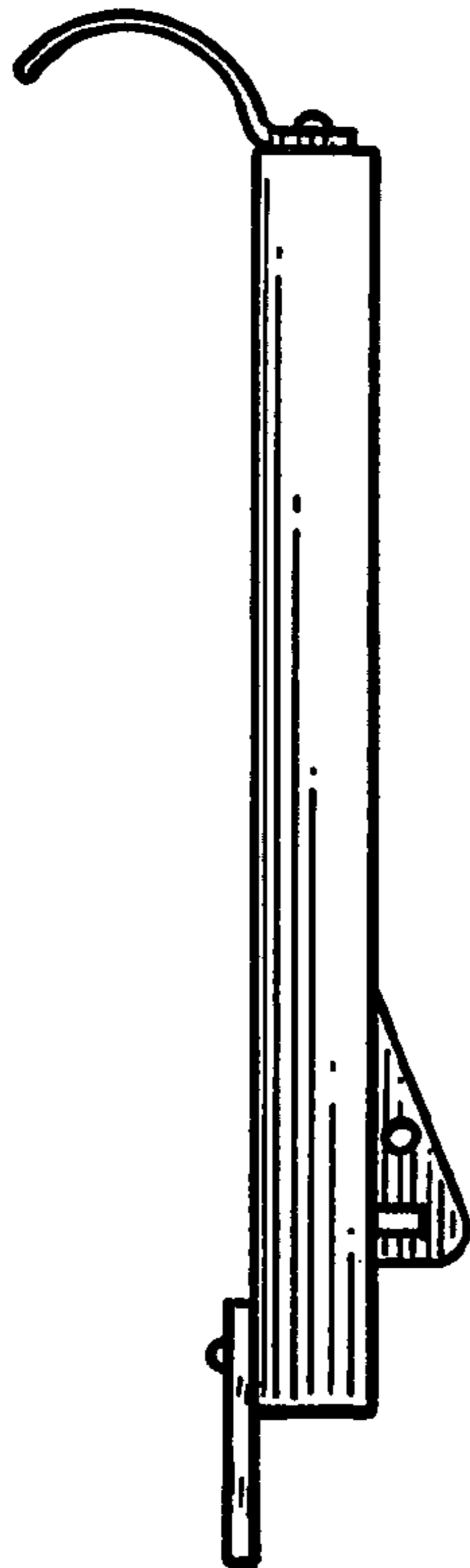


FIG 12

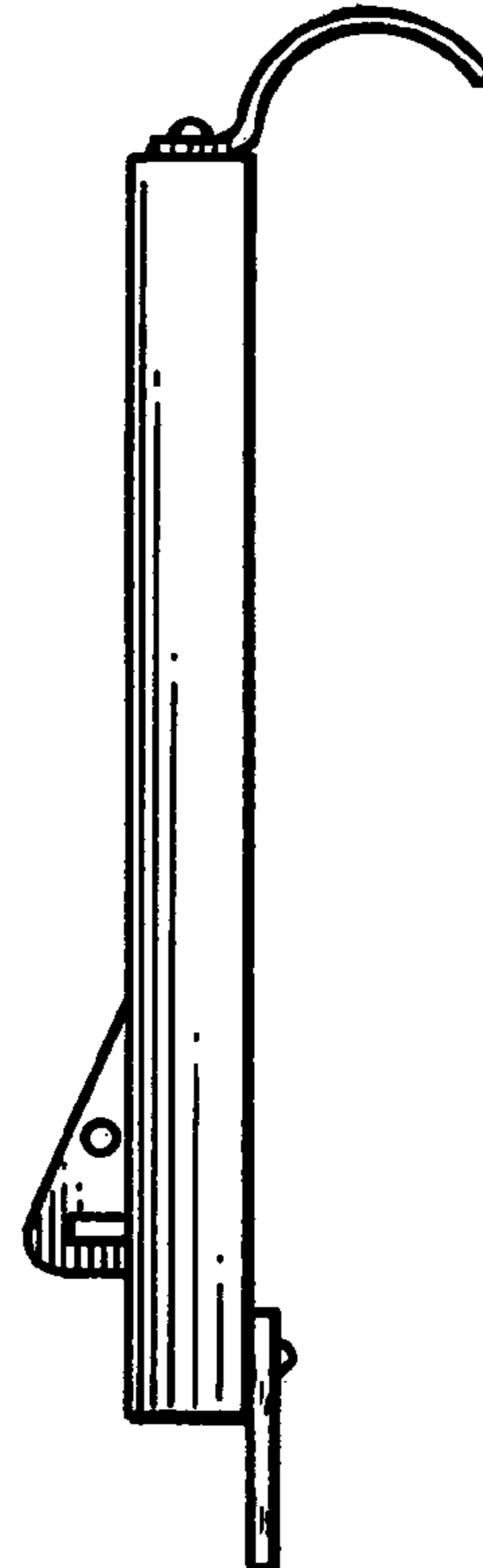
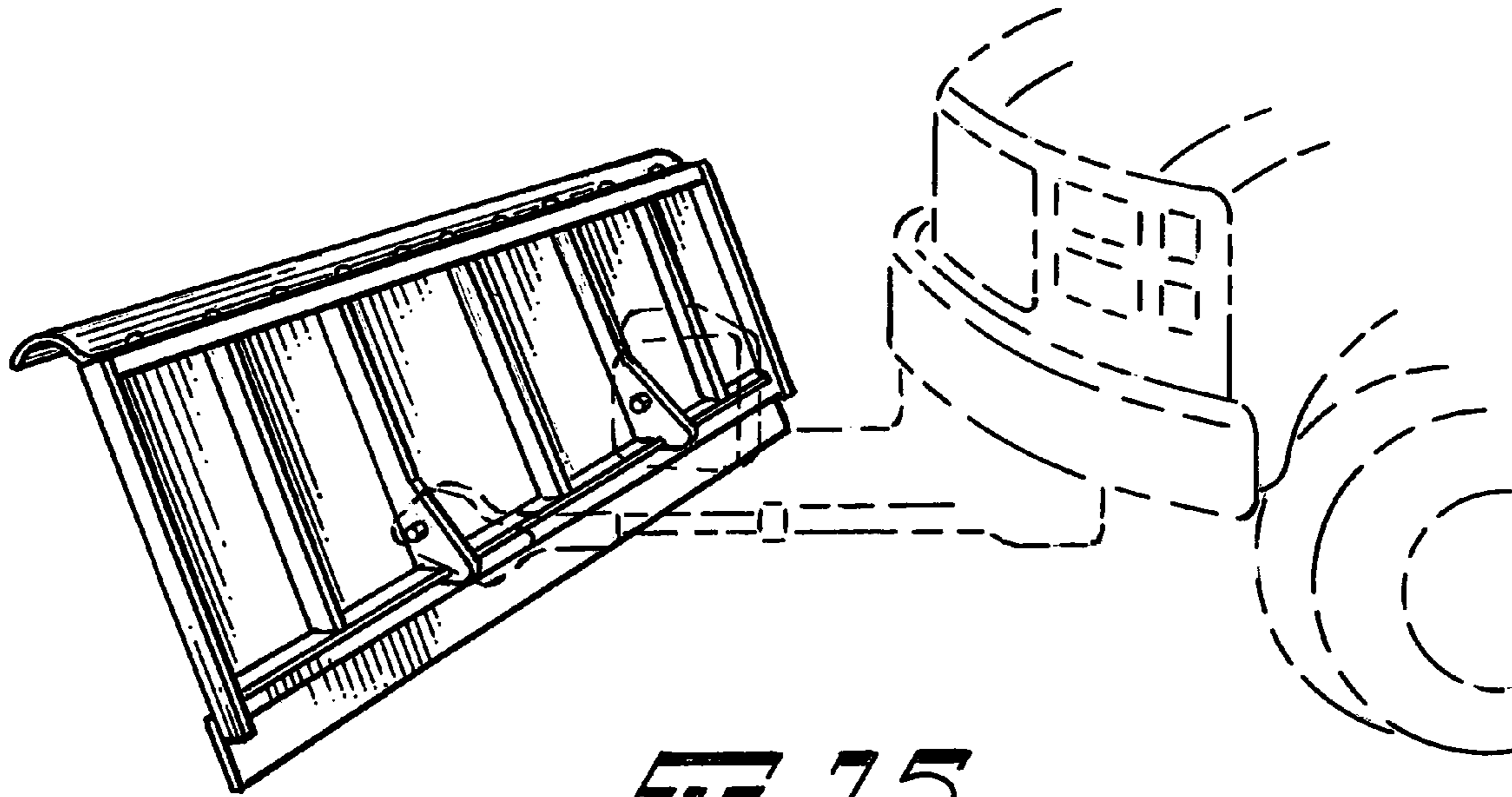
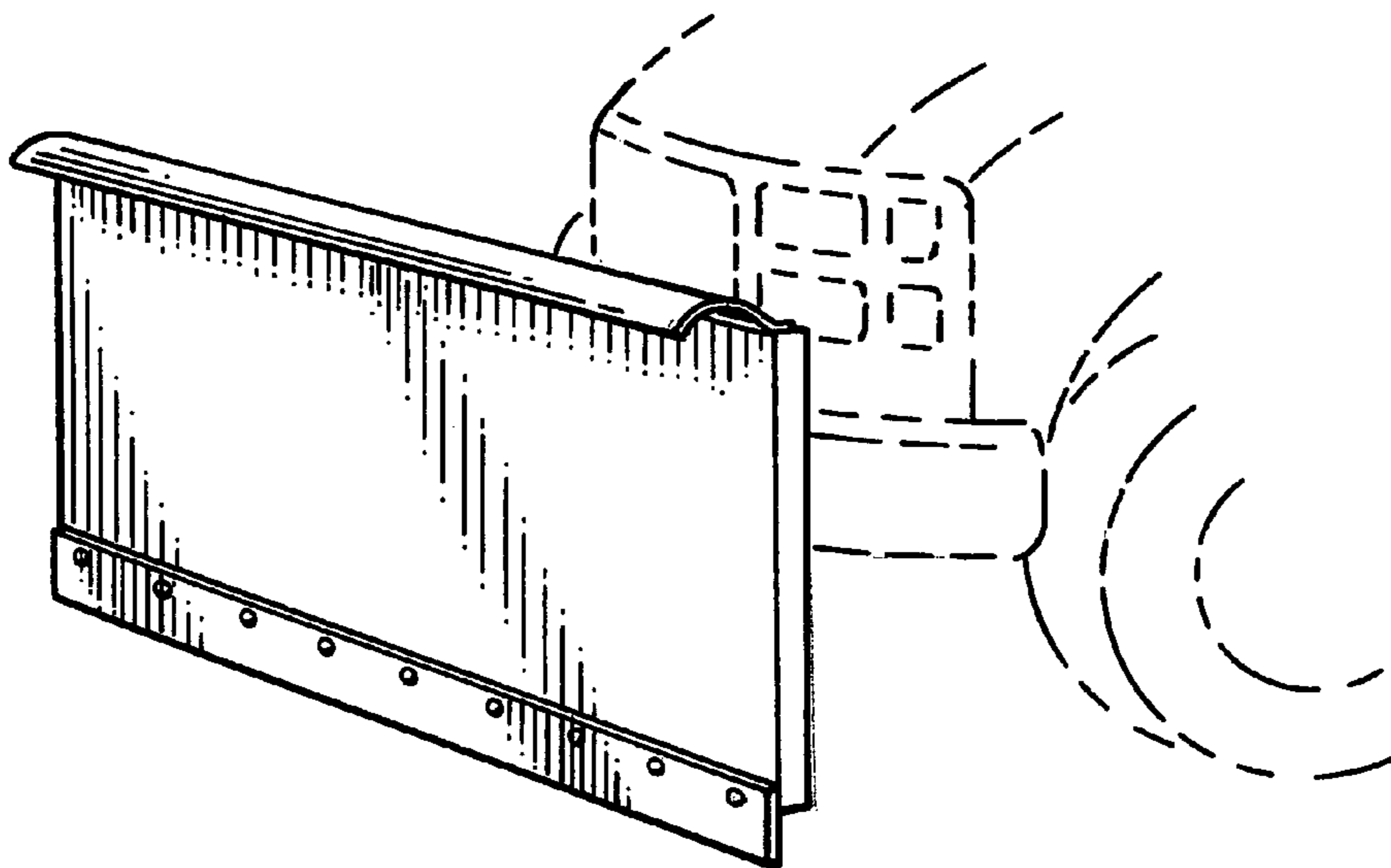


FIG 13



**FIG 15**



**FIG 16**