

US00D594881S

(12) **United States Design Patent**
Deline et al.

(10) **Patent No.:** **US D594,881 S**
(45) **Date of Patent:** **** Jun. 23, 2009**

(54) **FUEL DISPENSER HOUSING**

D433,037 S 10/2000 Wilson et al.
6,573,884 B1 6/2003 Kinzie
D579,078 S 10/2008 Deline et al.

(75) Inventors: **Jonathan E. Deline**, Oak Ridge, NC (US); **Brian L. Roderman**, Plano, TX (US); **Justin D. Pendleton**, Carrollton, TX (US); **Angelo J. Carpinelli**, Rockwall, TX (US)

(73) Assignee: **Gilbarco, Inc**, Greensboro, NC (US)

(**) Term: **14 Years**

(21) Appl. No.: **29/291,137**

(22) Filed: **Aug. 15, 2007**

(51) **LOC (9) Cl.** **15-02**

(52) **U.S. Cl.** **D15/9.1**

(58) **Field of Classification Search** D15/7-9.2;
D23/231, 232, 225; 417/410.1, 359, 415-416,
417/234, 321, 265, 405

See application file for complete search history.

(56) **References Cited**

U.S. PATENT DOCUMENTS

D258,361 S *	2/1981	Gray	D15/9.1
D272,627 S *	2/1984	Monigle et al.	D15/9.1
D301,147 S *	5/1989	Bass	D15/9.1
D306,719 S	3/1990	Austin et al.		
D309,144 S	7/1990	Austin et al.		
D342,525 S *	12/1993	Bloemen et al.	D15/9.1
5,798,931 A	8/1998	Kaehler		
D413,124 S	8/1999	McSpadden et al.		
D413,336 S	8/1999	Keane et al.		
D413,901 S	9/1999	Keane et al.		
D414,501 S	9/1999	Wilson et al.		
D414,779 S	10/1999	McSpadden et al.		
D415,166 S	10/1999	McSpadden et al.		
D415,167 S	10/1999	Wilson et al.		
D415,172 S	10/1999	Wilson et al.		
D422,604 S	4/2000	Wilson et al.		
D428,424 S	7/2000	Wilson et al.		
D428,897 S	8/2000	Wilson et al.		
D429,740 S	8/2000	Wilson et al.		
D432,548 S	10/2000	Wilson et al.		

OTHER PUBLICATIONS

Co-pending U.S. Appl. No. 12/190,773, filed Aug. 13, 2008.
Co-pending U.S. Appl. No. 12/190,820, filed Aug. 13, 2008.
Co-pending U.S. Appl. No. 12/190,850, filed Aug. 13, 2008.

(Continued)

Primary Examiner—R. Seifert

(74) *Attorney, Agent, or Firm*—Nelson Mullins Riley & Scarborough LLP

(57) **CLAIM**

The ornamental design of a fuel dispenser housing, substantially as shown and described.

DESCRIPTION

FIG. 1 is a front perspective view of a fuel dispenser housing embodying the design of the present invention.

FIG. 2 is a front side elevational view of the fuel dispenser housing illustrated in FIG. 1.

FIG. 3 is a back side elevational view of the fuel dispenser housing illustrated in FIG. 1.

FIG. 4 is a right side elevational view of the fuel dispenser housing illustrated in FIG. 1.

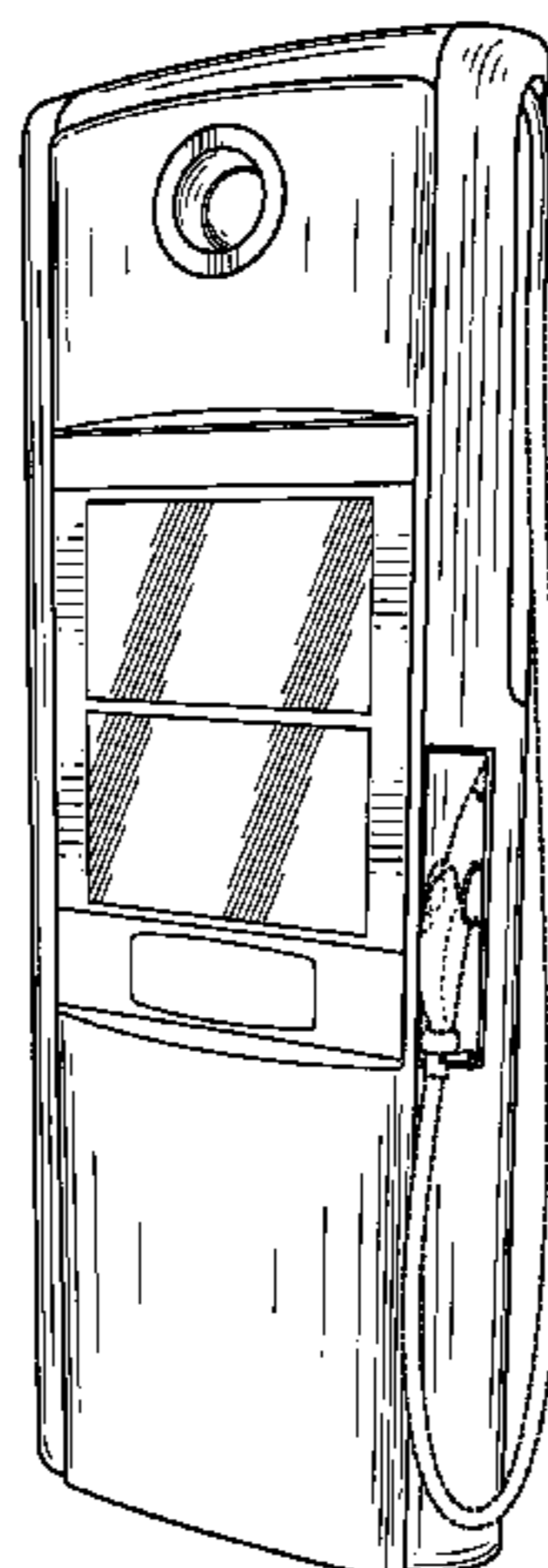
FIG. 5 is a left side elevational view of the fuel dispenser housing illustrated in FIG. 1.

FIG. 6 is a top view of the fuel dispenser housing illustrated in FIG. 1; and,

FIG. 7 is a front perspective view of the fuel dispenser housing of the present invention in accordance with a second embodiment, it being understood that the undisclosed opposite side view forms no part of the claimed design.

The portions shown in broken lines form no part of the claimed design.

1 Claim, 7 Drawing Sheets



OTHER PUBLICATIONS

Co-pending U.S. Appl. No. 12/190,896, filed Aug. 13, 2008.
Co-pending U.S. Appl. No. 12/191,047, filed Aug. 13, 2008.
Co-pending U.S. Appl. No. 12/191,066, filed Aug. 13, 2008.
Co-pending U.S. Appl. No. 12/191,081, filed Aug. 13, 2008.

Provisional Patent Application entitled "Fuel Dispenser," filed Aug. 15, 2007, U.S. Appl. No. 60/956,072.
Miscellaneous Prior Art Images (2006 or earlier).
Holiday Inn Sign In Europe (2006).

* cited by examiner

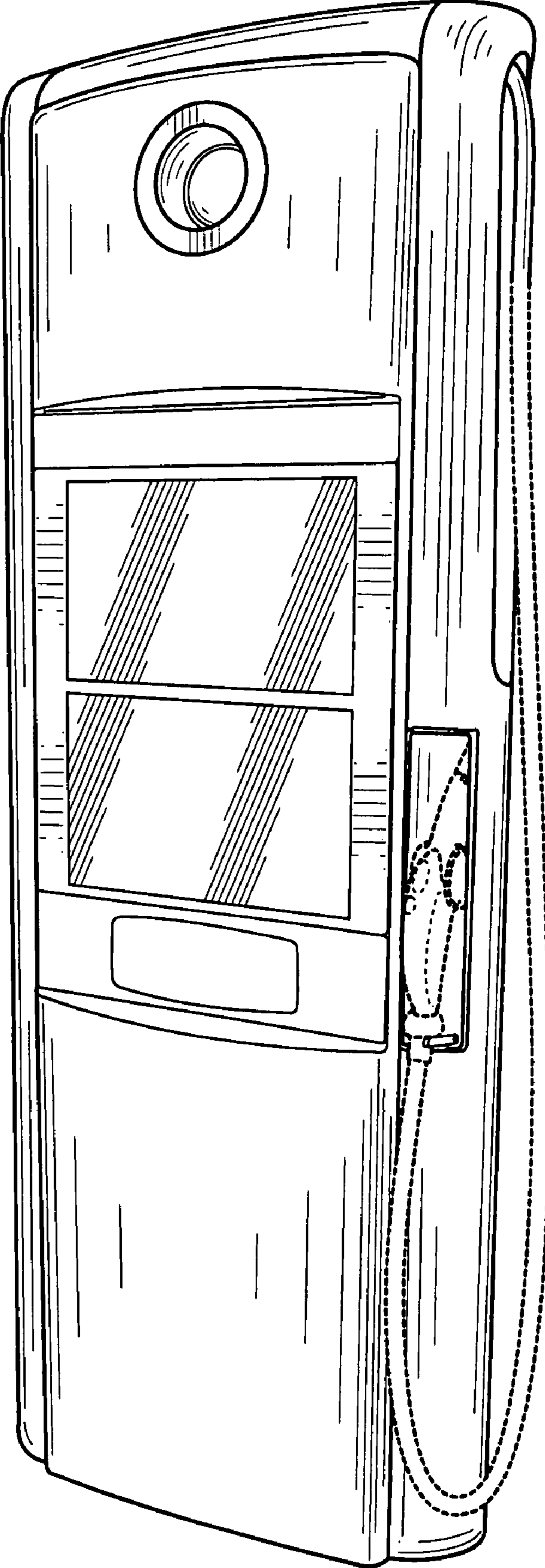


FIG. 1

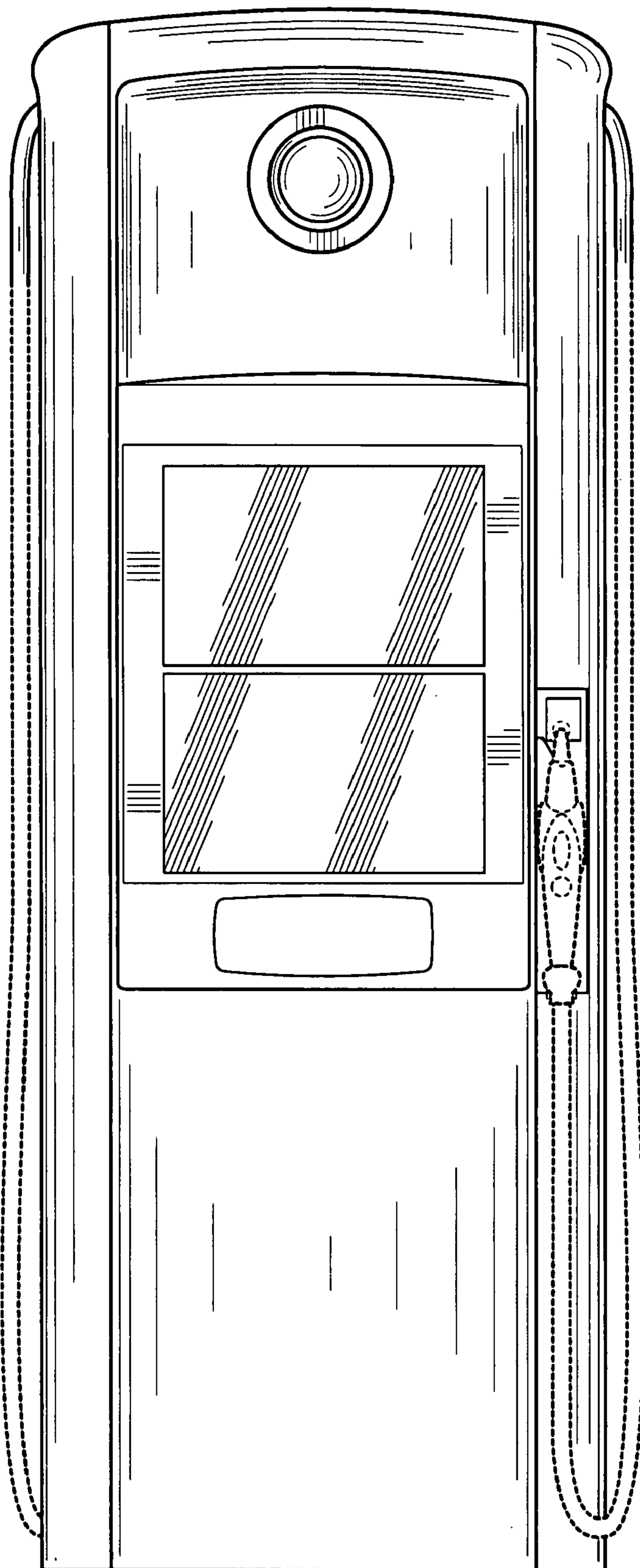


FIG. 2

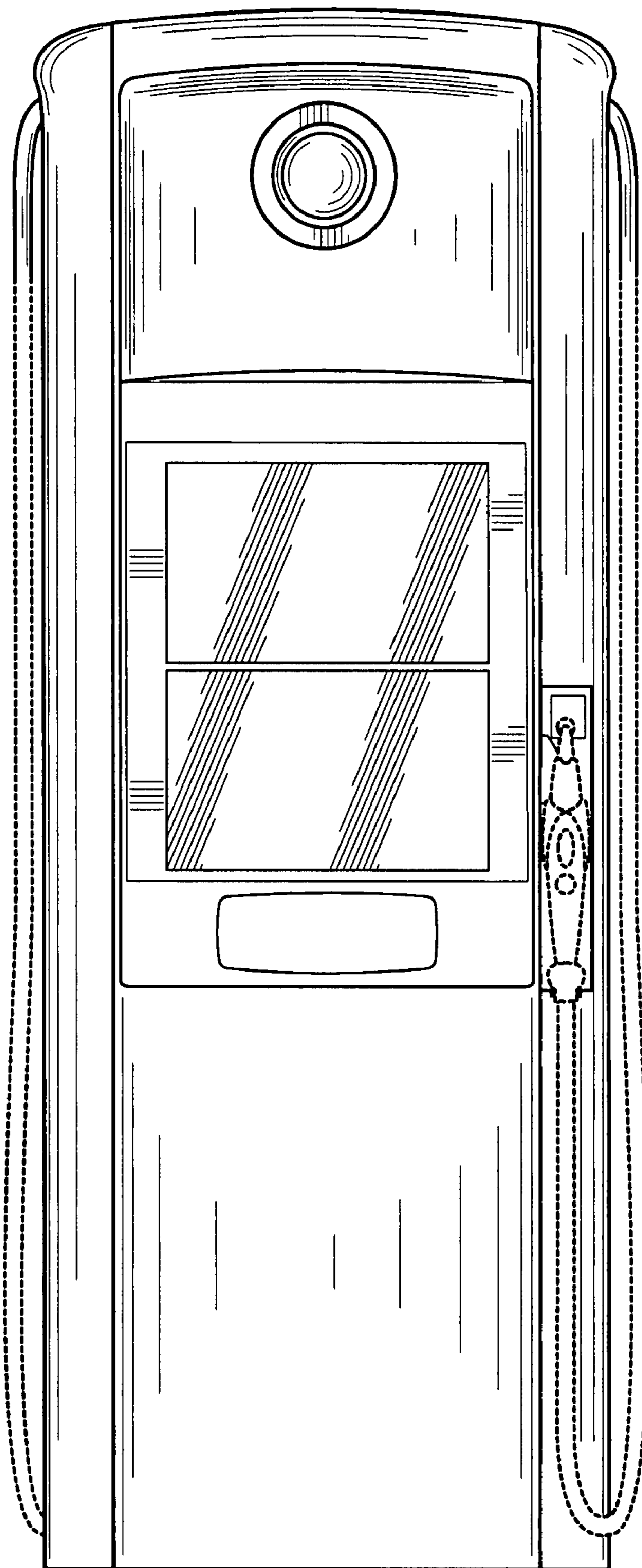


FIG. 3

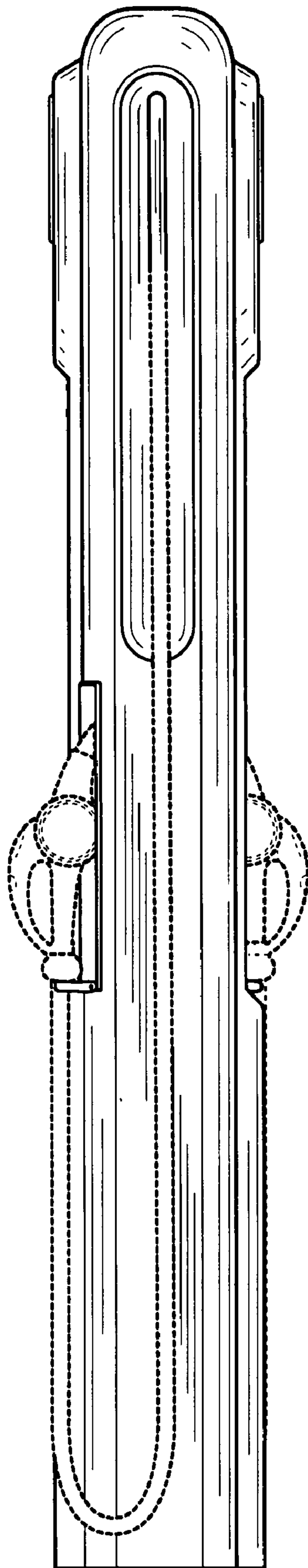


FIG. 4

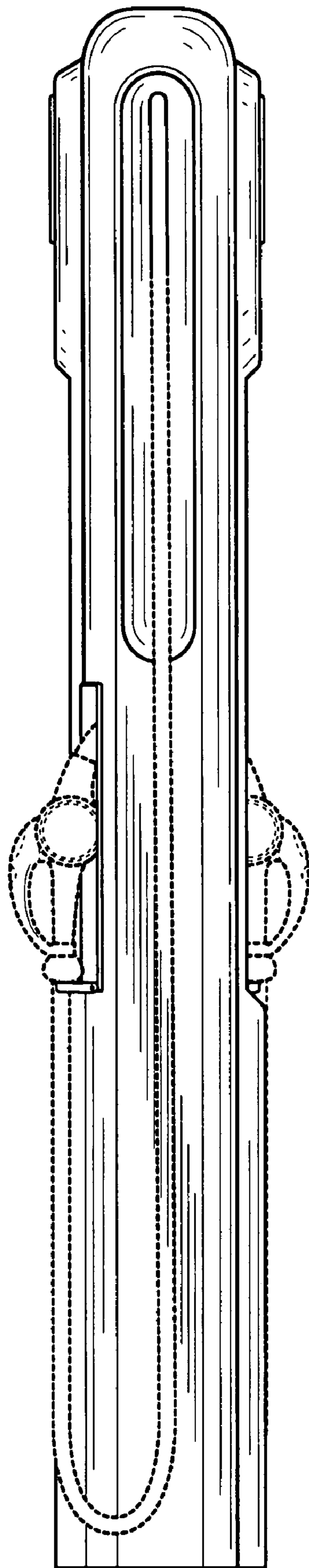


FIG. 5

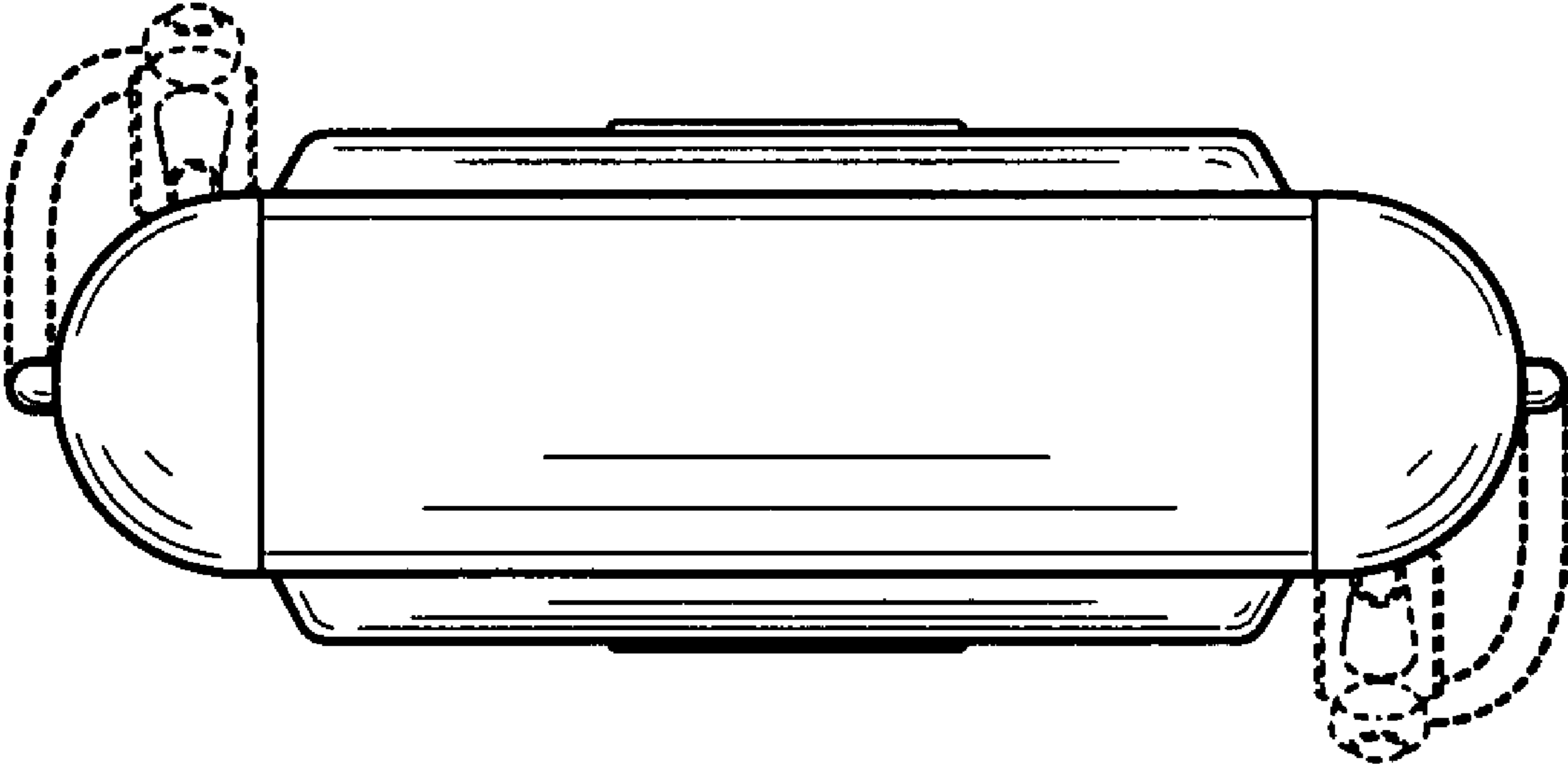


FIG. 6

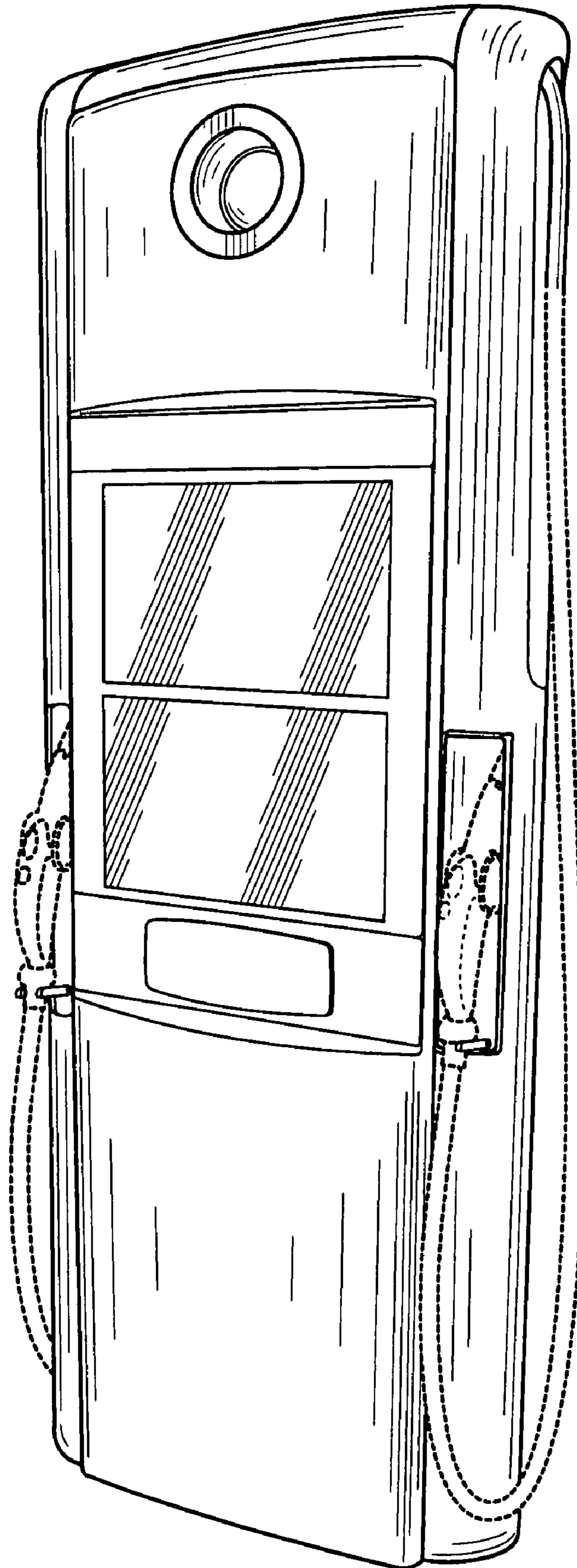


FIG. 7