



US00D594880S

(12) **United States Design Patent**
Austen et al.

(10) **Patent No.:** **US D594,880 S**
(45) **Date of Patent:** **** Jun. 23, 2009**

(54) **HANDHELD PUMP**

(75) Inventors: **Timothy F. Austen**, Glencoe, IL (US);
Brian Coleman, Hawthorn Woods, IL
(US); **Mike Joss**, Chicago, IL (US)

(73) Assignee: **Aero Products International, Inc.**,
Schaumburg, IL (US)

(**) Term: **14 Years**

(21) Appl. No.: **29/295,563**

(22) Filed: **Oct. 1, 2007**

(51) **LOC (9) Cl.** **15-02**

(52) **U.S. Cl.** **D15/7**

(58) **Field of Classification Search** D15/7-9;
D23/231, 232; 417/410.1, 359, 415-416,
417/234, 321, 265, 405

See application file for complete search history.

(56) **References Cited**

U.S. PATENT DOCUMENTS

4,424,006	A	1/1984	Armbruster	
4,483,664	A	11/1984	Armbruster	
D294,396	S	2/1988	Steere et al.	
4,776,776	A	10/1988	Jones	
4,789,310	A	12/1988	Hung	
D300,035	S	2/1989	Yuen	
4,830,579	A	5/1989	Cheng	
D340,726	S *	10/1993	Wang	D15/7
D356,800	S *	3/1995	Chen	D15/9
5,568,117	A	10/1996	Hsu	
5,848,875	A	12/1998	San-Jou	
D414,254	S	9/1999	Wu	
6,237,653	B1	5/2001	Chaffee	
D446,284	S	8/2001	Chaffee	
D453,342	S	2/2002	Wu	
D453,524	S	2/2002	Wu	
D466,908	S *	12/2002	Poon	D15/7
6,679,686	B2	1/2004	Wang	
D499,114	S *	11/2004	Poon	D15/7
D499,744	S *	12/2004	Orschell et al.	D15/7

7,063,514	B1	6/2006	Wu	
D541,309	S *	4/2007	Wang	D15/9
D559,271	S *	1/2008	Hsiao	D15/7
2005/0118046	A1	6/2005	Wang	
2006/0073045	A1	4/2006	Tsai	
2006/0117489	A1	6/2006	Tsai	
2006/0120902	A1	6/2006	Wu	

FOREIGN PATENT DOCUMENTS

CN	2466393	Y	12/2001
CN	2811631	Y	8/2006

* cited by examiner

Primary Examiner—R. Seifert

(74) *Attorney, Agent, or Firm*—Brinks Hofer Gilson & Lione

(57) **CLAIM**

We claim the ornamental design for a handheld pump, as shown and described.

DESCRIPTION

FIG. 1 is perspective view of the handheld pump of the present invention;

FIG. 2 is a front elevation view of the handheld pump of the present invention;

FIG. 3 is a rear elevation view of the handheld pump of the present invention;

FIG. 4 is a left side elevation view of the handheld pump of the present invention;

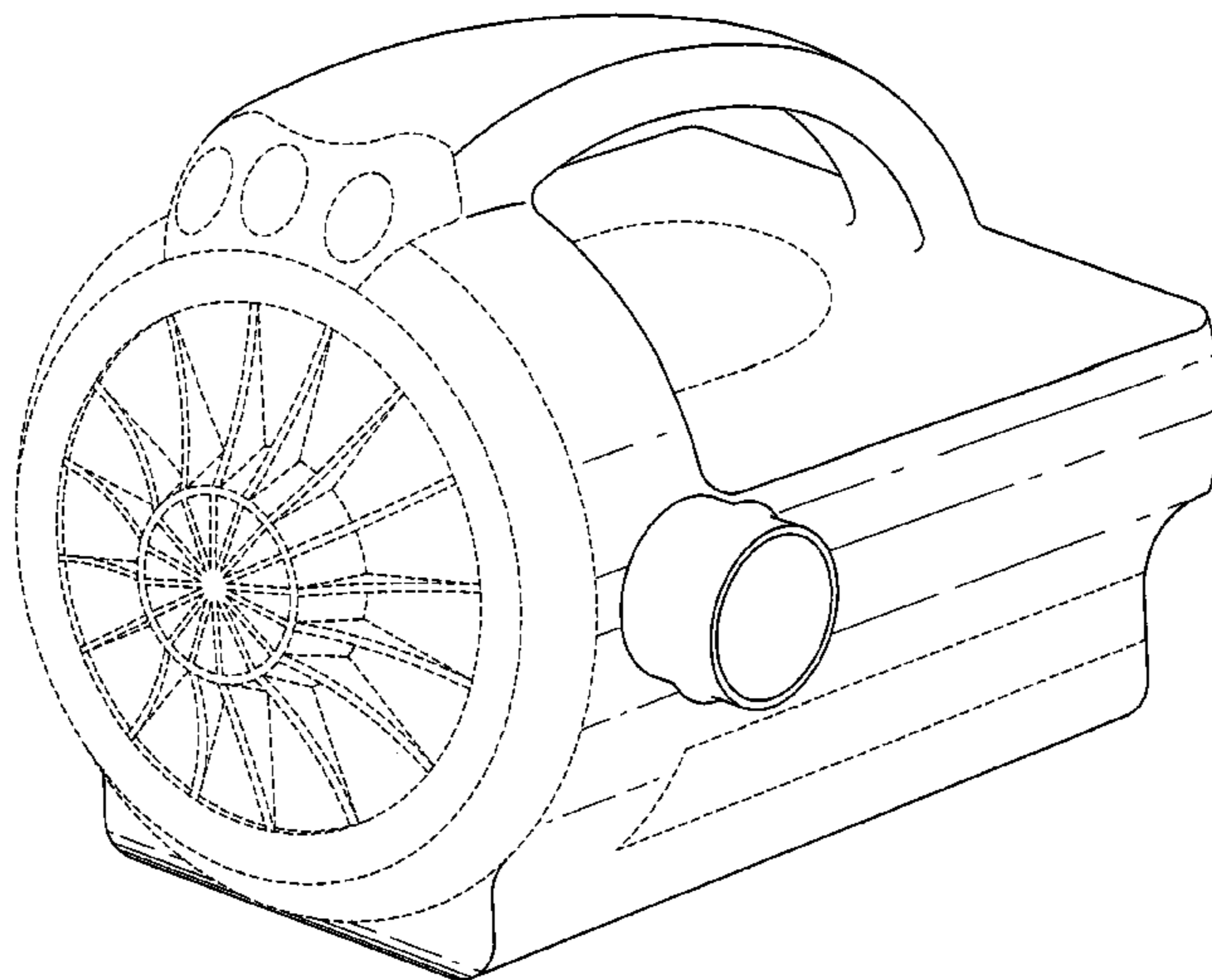
FIG. 5 is a right side elevation view of the handheld pump of the present invention;

FIG. 6 is a top plan view of the handheld pump of the present invention;

FIG. 7 is a bottom plan view of the handheld pump of the present invention; and,

FIG. 8 is a rear perspective view of the handheld pump of the present invention.

1 Claim, 8 Drawing Sheets



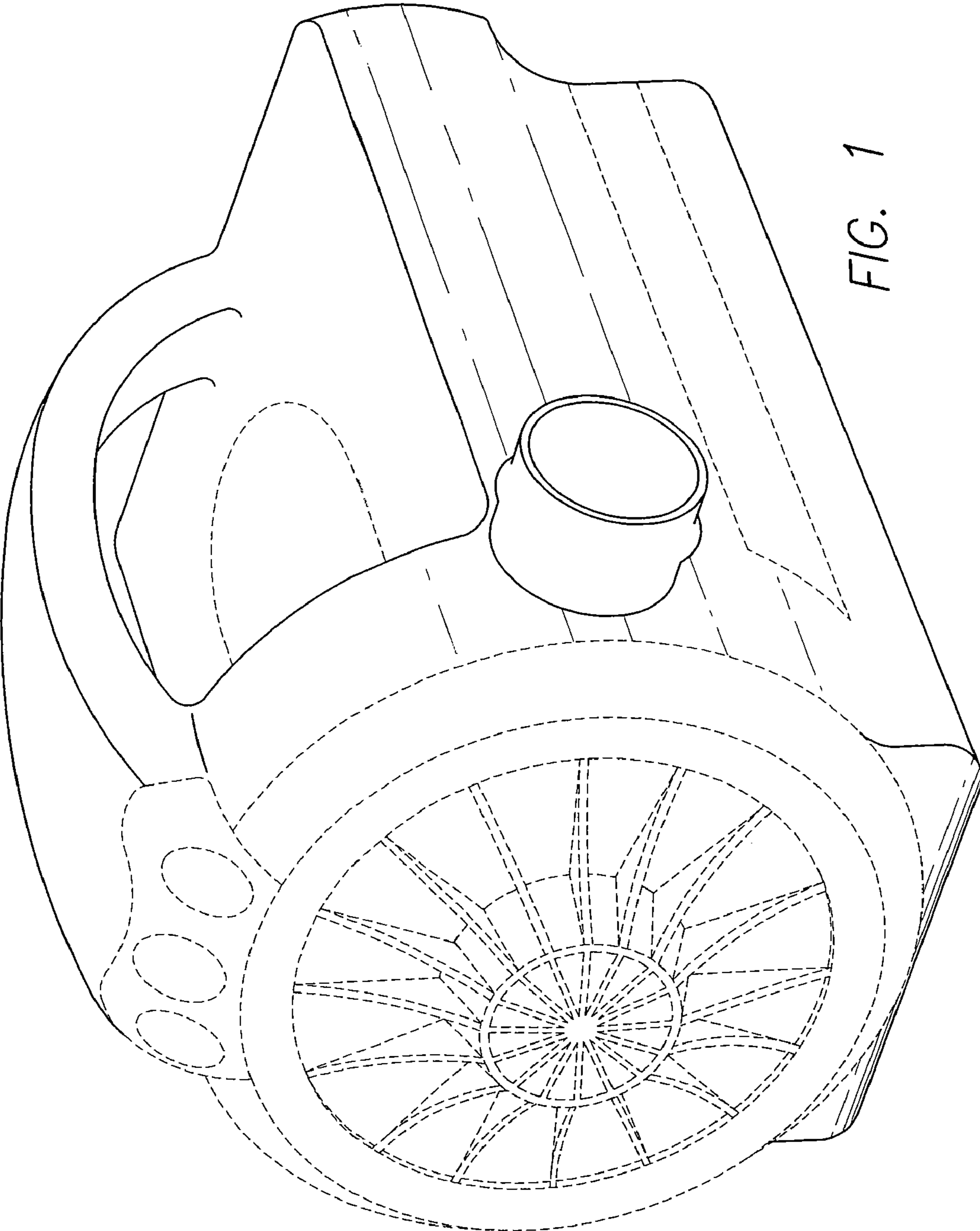


FIG. 1

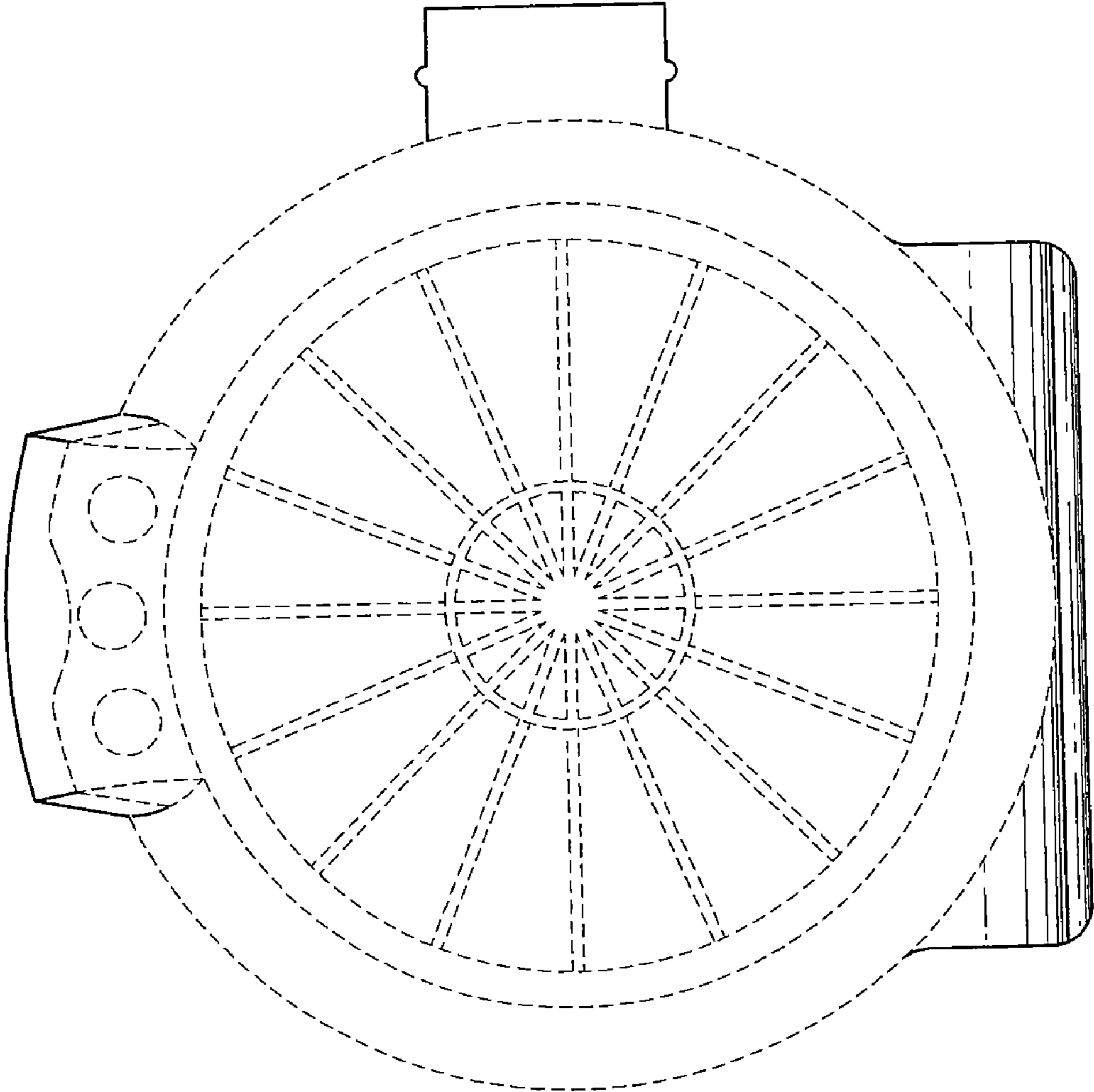


FIG. 2

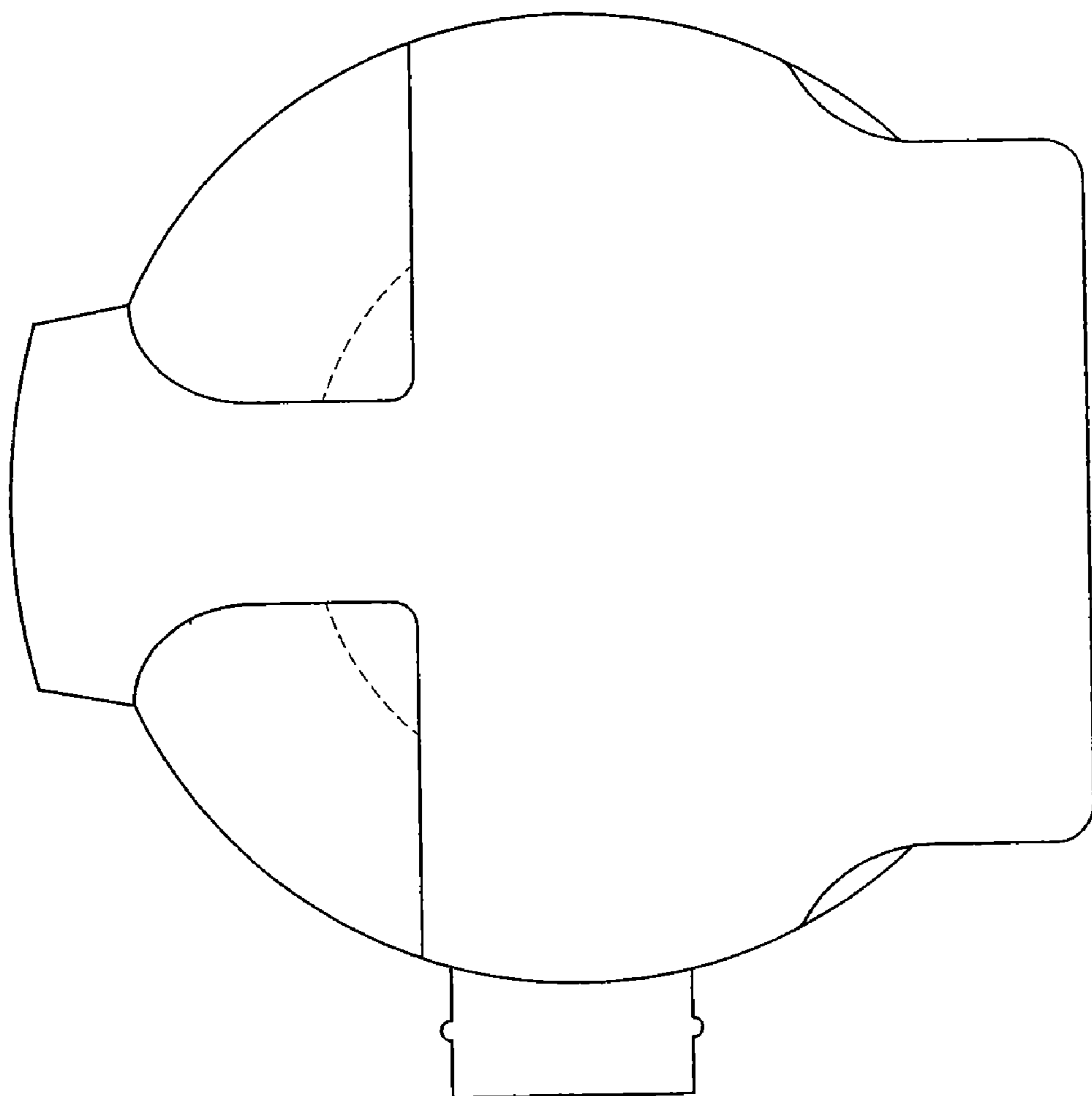


FIG. 3

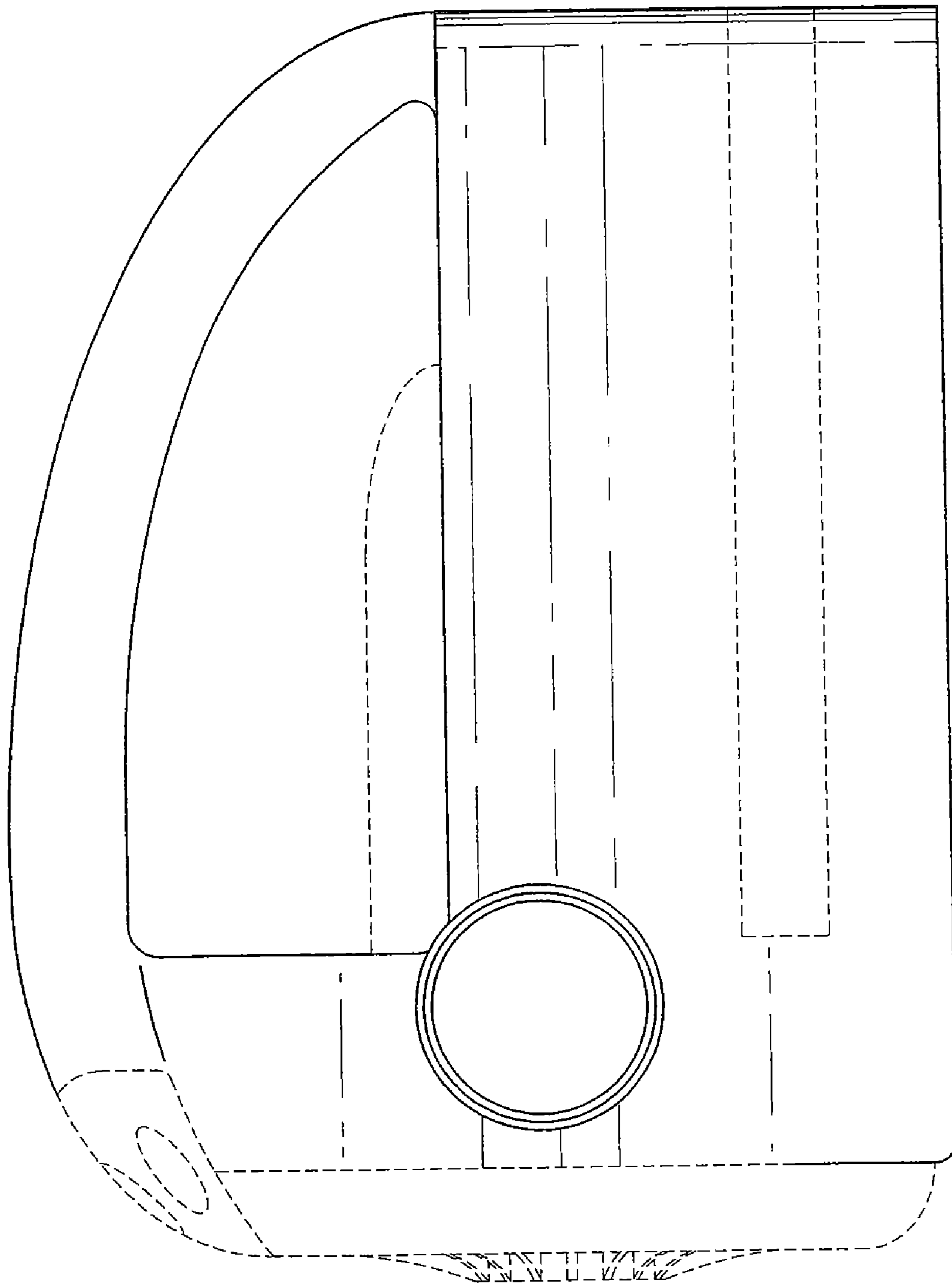


FIG. 4

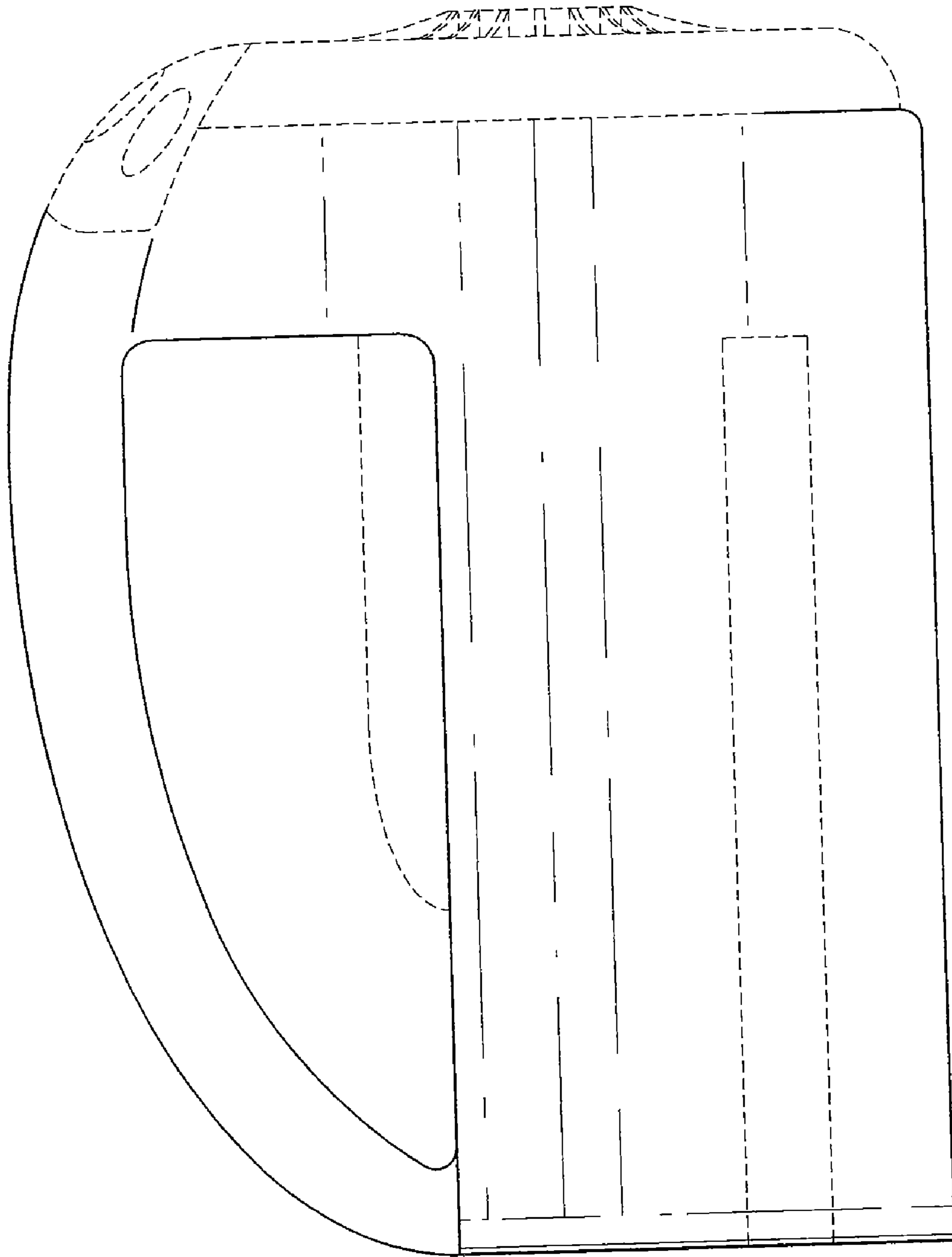


FIG. 5

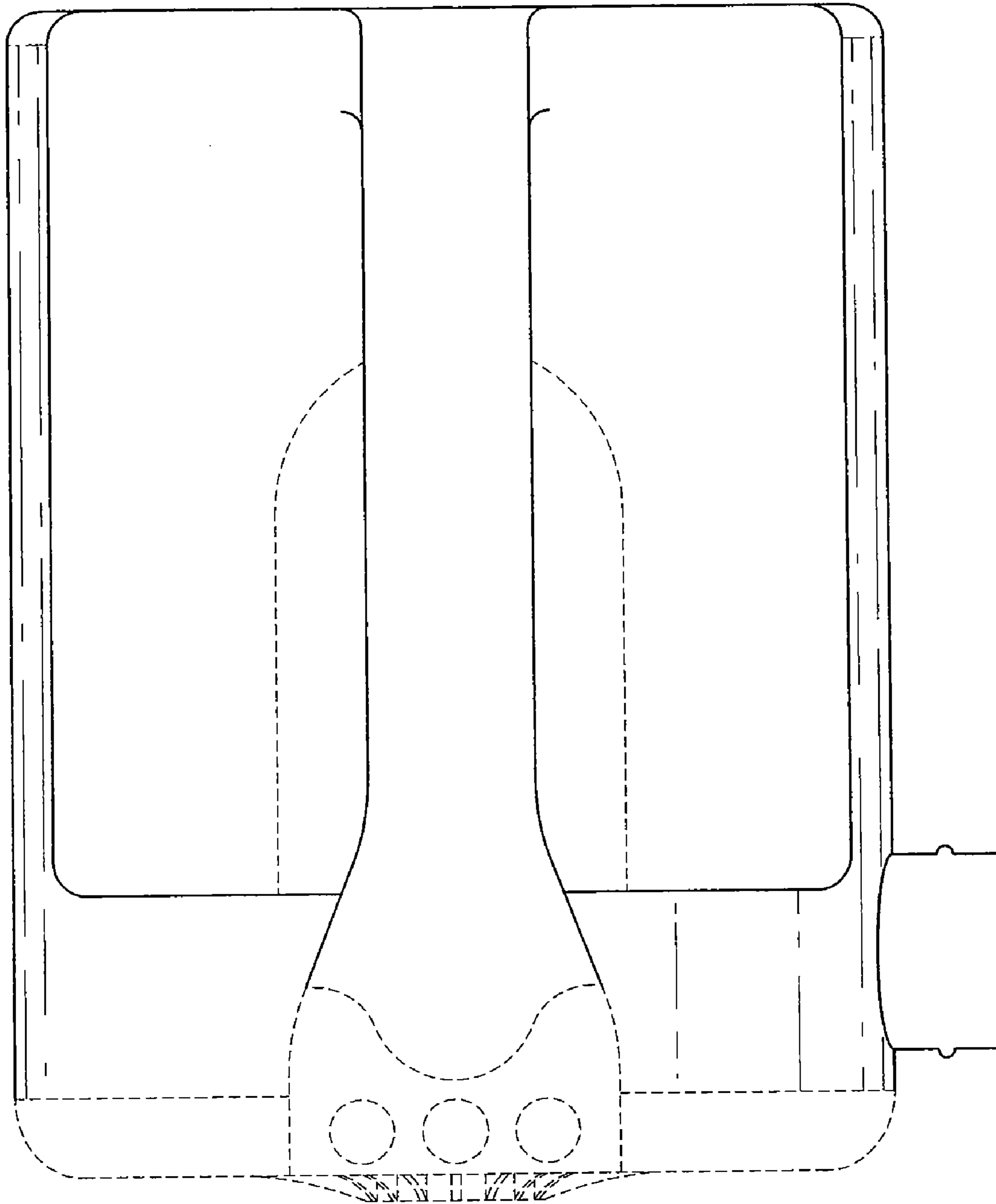


FIG. 6

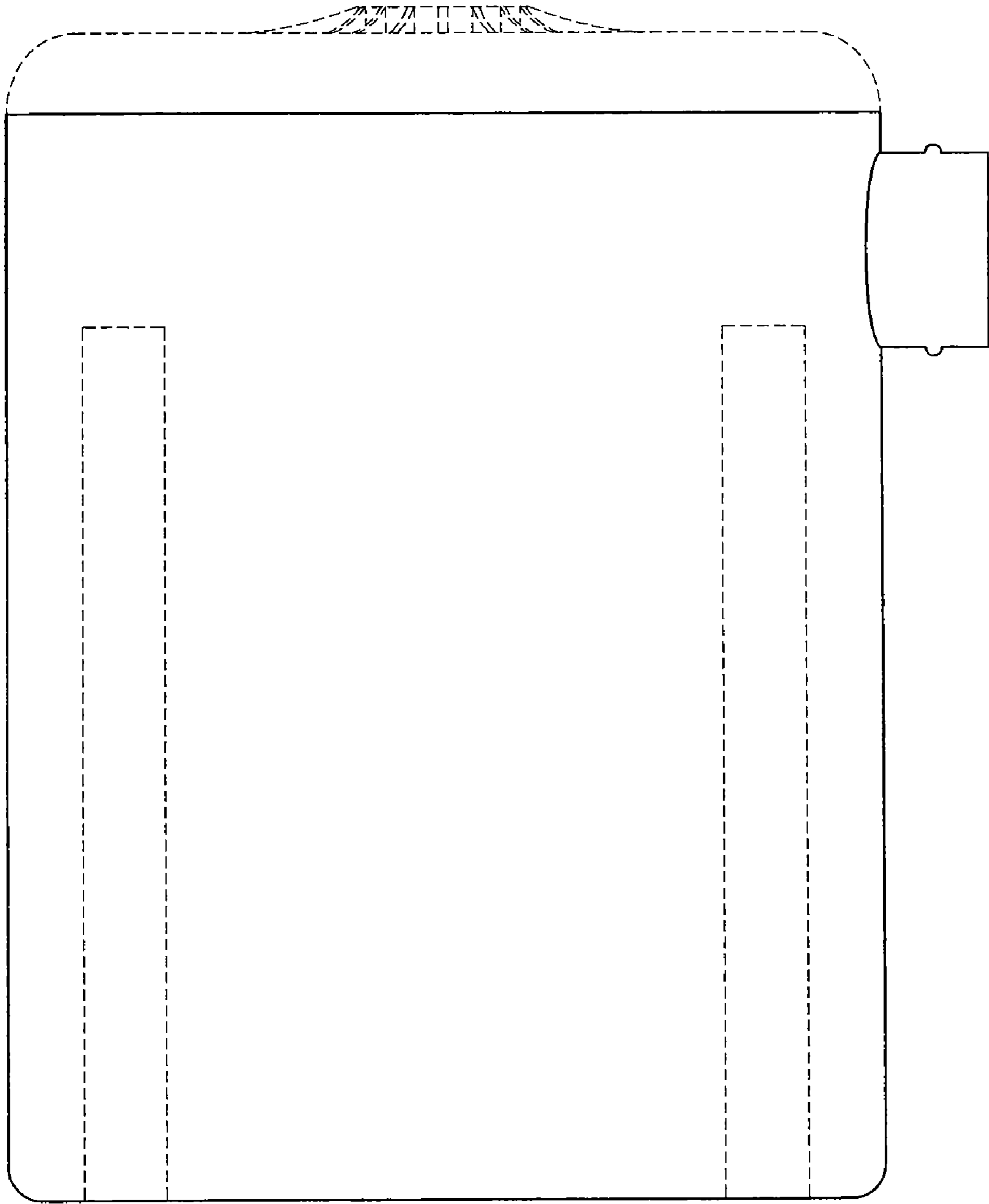


FIG. 7

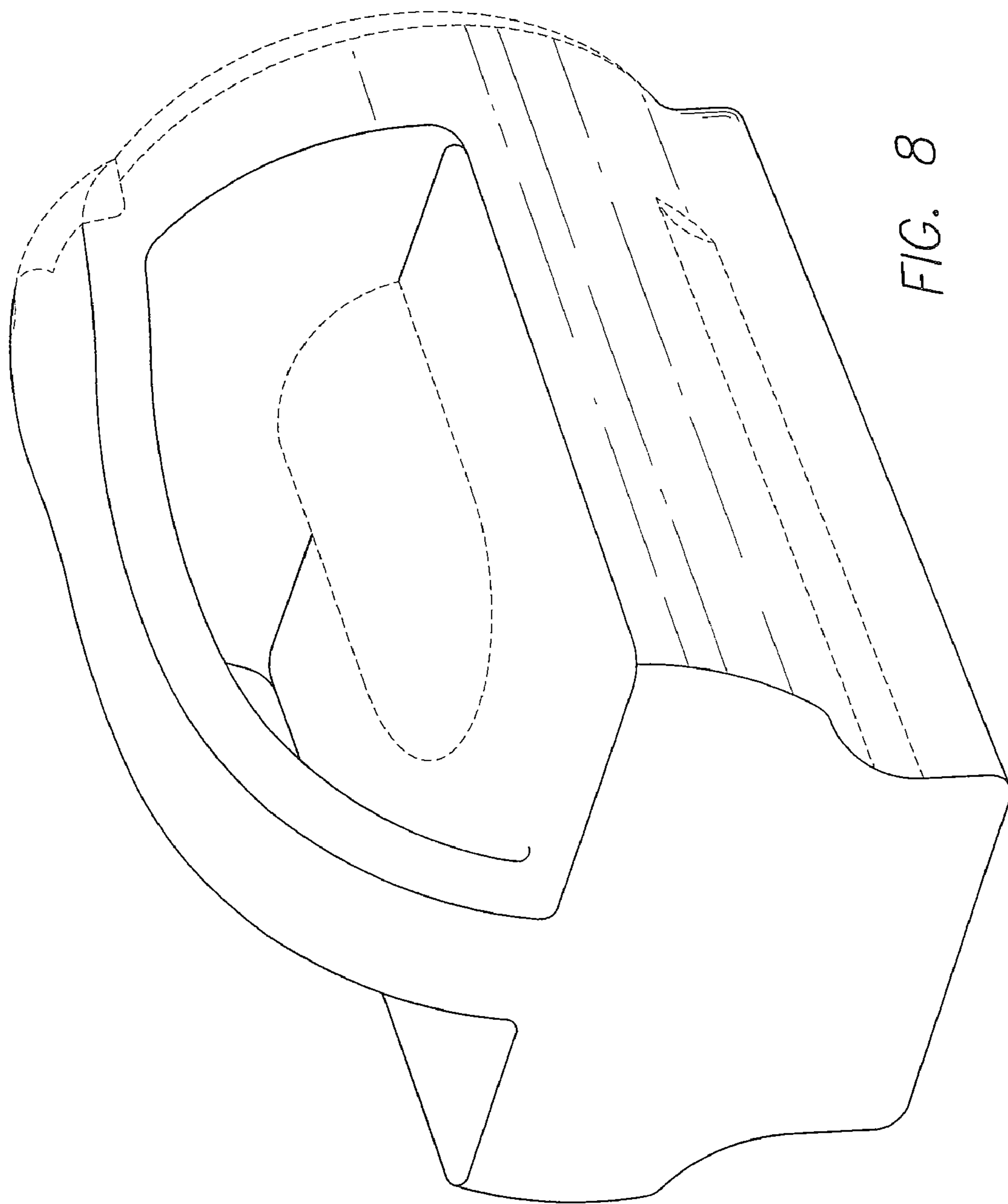


FIG. 8