



US00D594879S

(12) **United States Design Patent**  
**Jing**

(10) **Patent No.:** **US D594,879 S**  
(45) **Date of Patent:** **\*\* Jun. 23, 2009**

(54) **ENGINE COVER**

(75) Inventor: **Huayang Jing**, Chongqing (CN)

(73) Assignee: **Loncin Industry Co., Ltd.**, Chongqing (CN)

(\*\*) Term: **14 Years**

(21) Appl. No.: **29/293,211**

(22) Filed: **Nov. 9, 2007**

(51) **LOC (9) Cl.** ..... **15-01**

(52) **U.S. Cl.** ..... **D15/5**

(58) **Field of Classification Search** ..... D15/1,  
D15/3, 5, 15, 17, 31; 123/50 A, 306, 308  
See application file for complete search history.

(56) **References Cited**

**U.S. PATENT DOCUMENTS**

D308,871 S *	6/1990	Harkness et al.	.....	D15/1
5,197,426 A *	3/1993	Frangesch et al.	.....	123/198 E
D396,045 S *	7/1998	Neeley	.....	D15/1
D421,024 S *	2/2000	Katoh	.....	D15/1

\* cited by examiner

*Primary Examiner*—Lisa P Lichtenstein  
(74) *Attorney, Agent, or Firm*—Thelen LLP

(57) **CLAIM**

The ornamental design for an engine cover, as shown and described.

**DESCRIPTION**

FIG. 1 is an enlarged front view of an engine cover.

FIG. 2 is an enlarged back view of an engine cover.

FIG. 3 is a slightly enlarged left view of an engine cover.

FIG. 4 is a slightly enlarged right view of an engine cover.

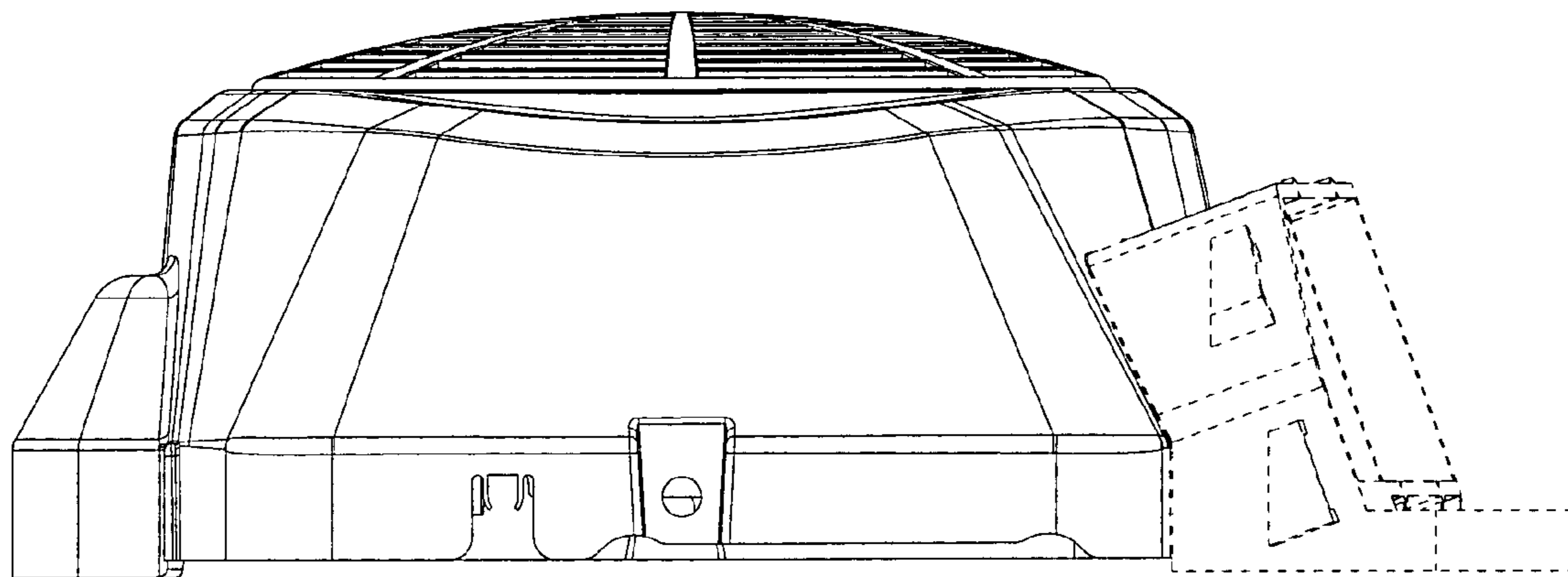
FIG. 5 is a top view of an engine cover.

FIG. 6 is a perspective view of an engine cover; and,

FIG. 7 is a perspective view of an engine cover.

The broken line showing of portions of an engine cover is included for the purpose of illustrating environmental structure and forms no part of the claimed design.

**1 Claim, 7 Drawing Sheets**



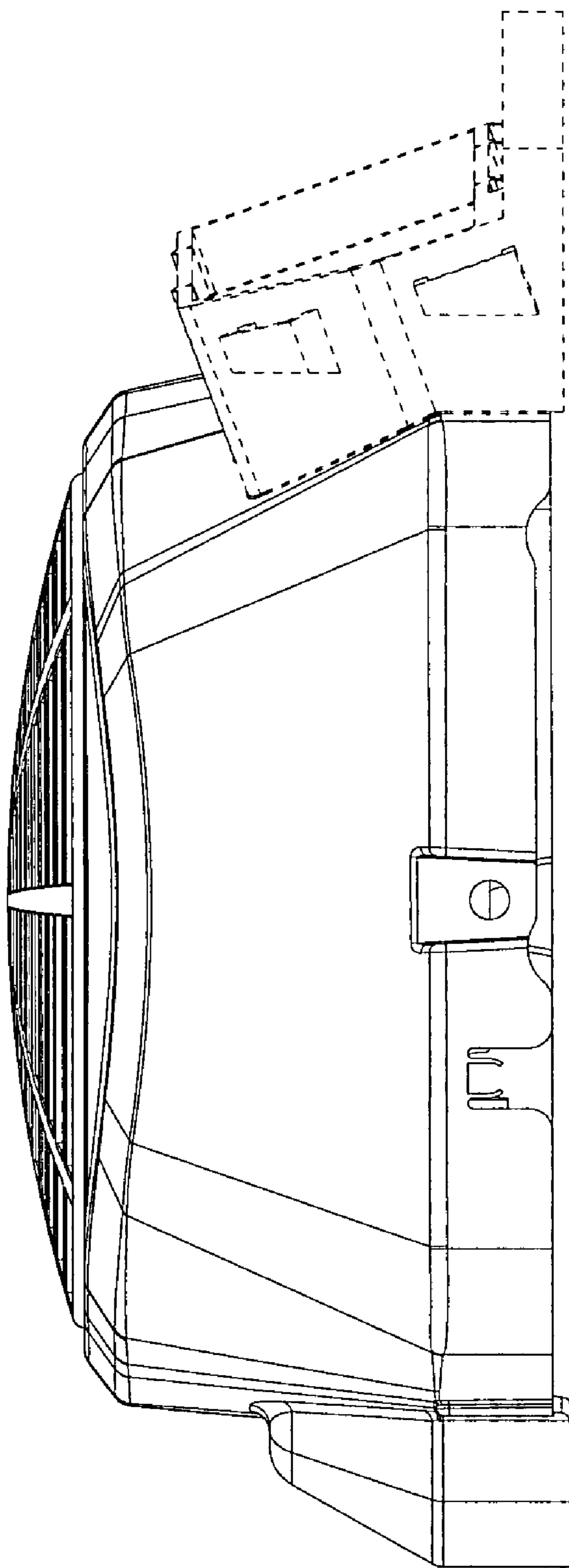


Figure 1

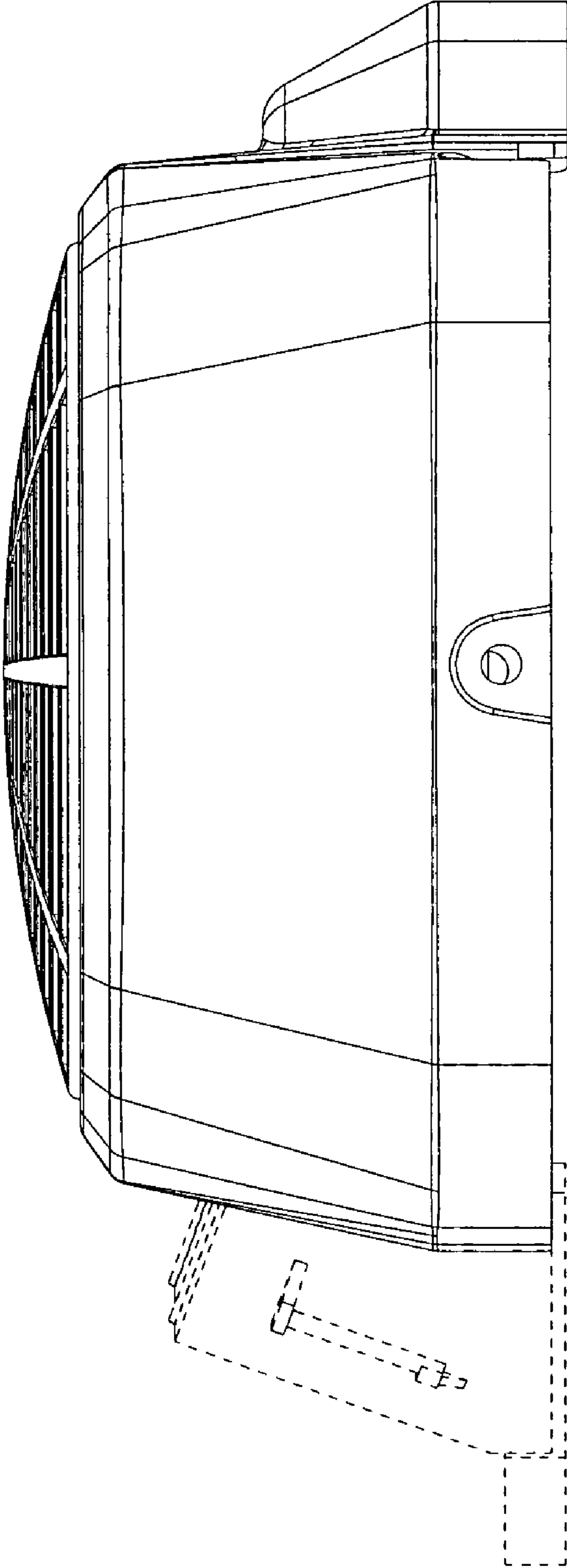


Figure 2

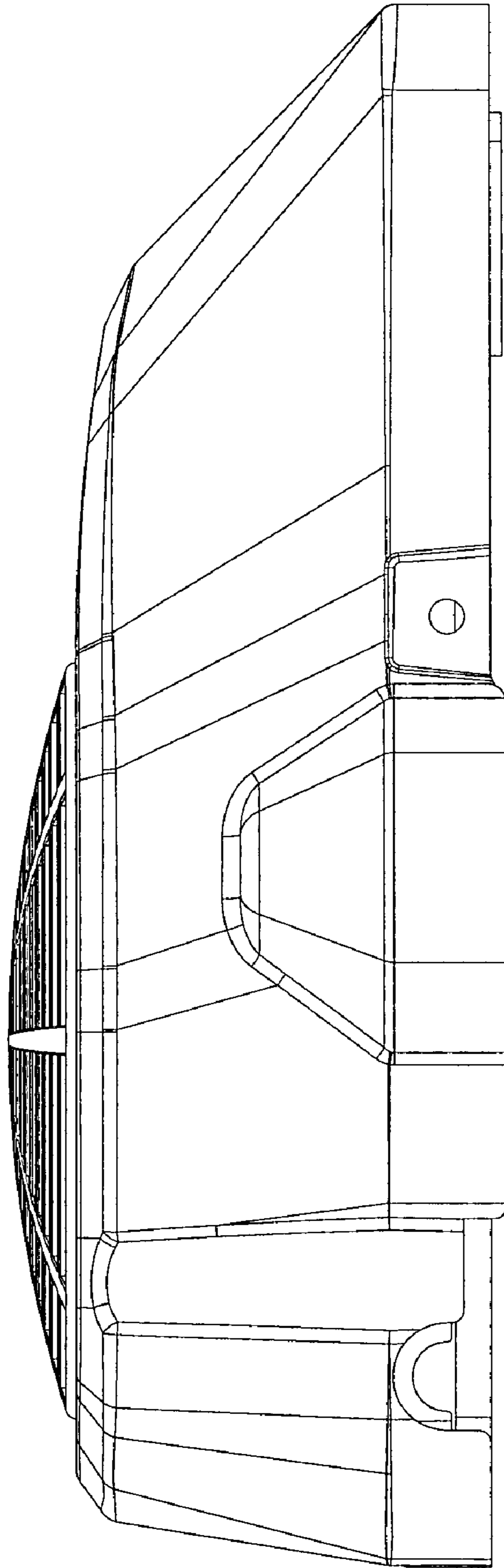


Figure 3

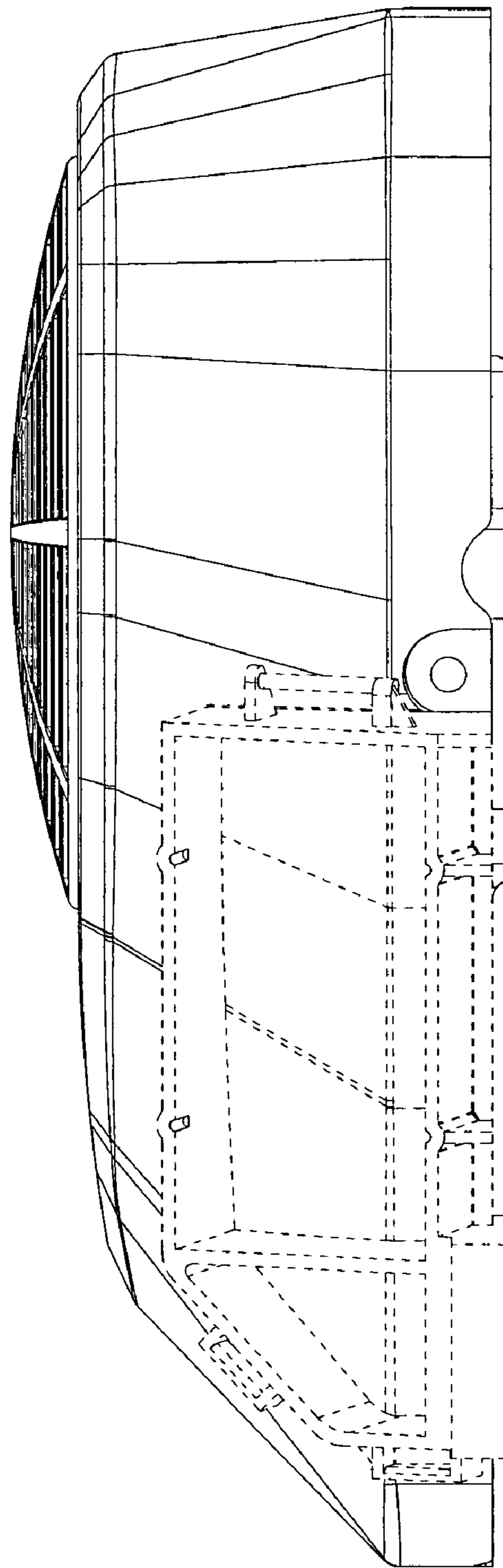


Figure 4

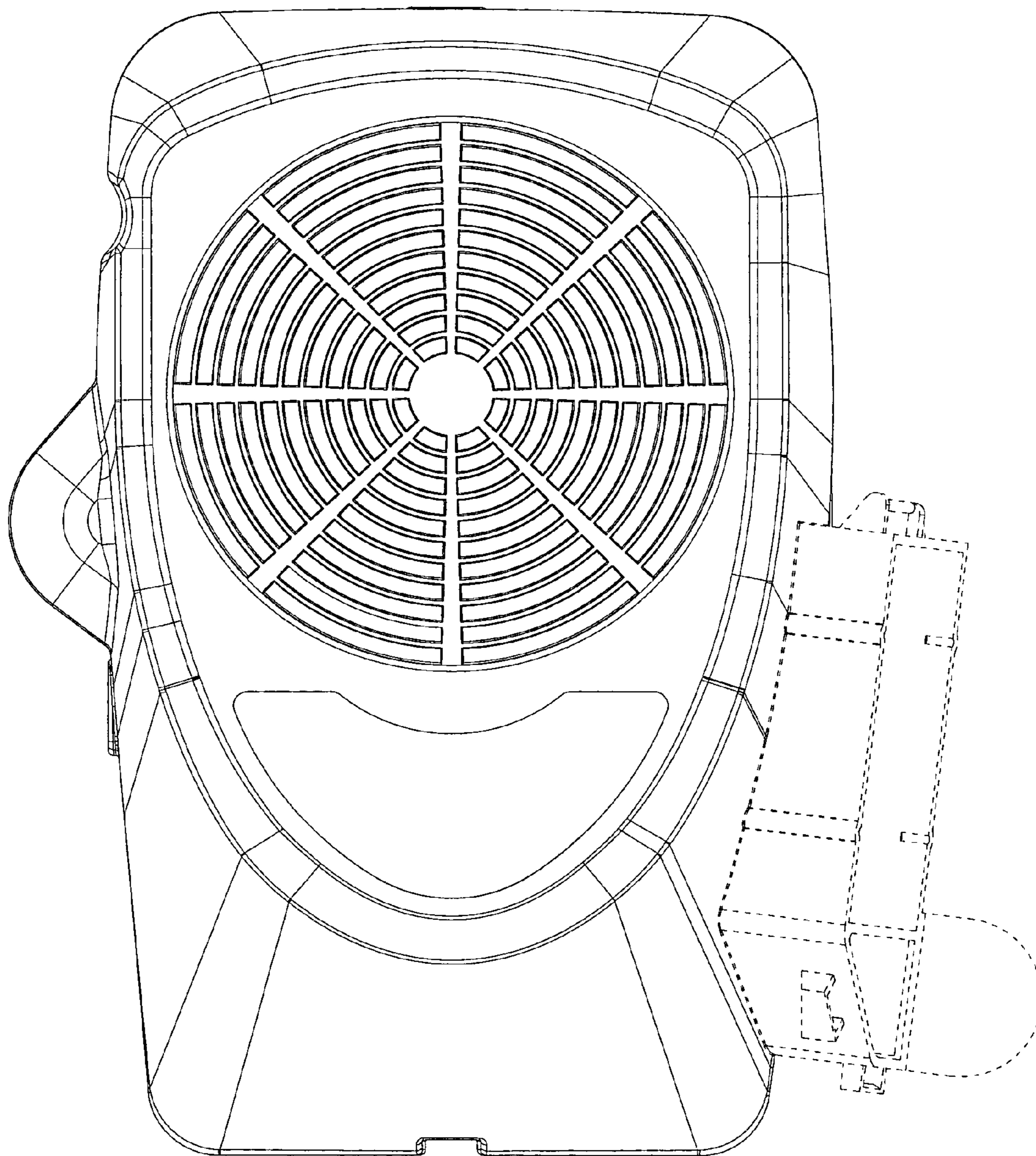


Figure 5

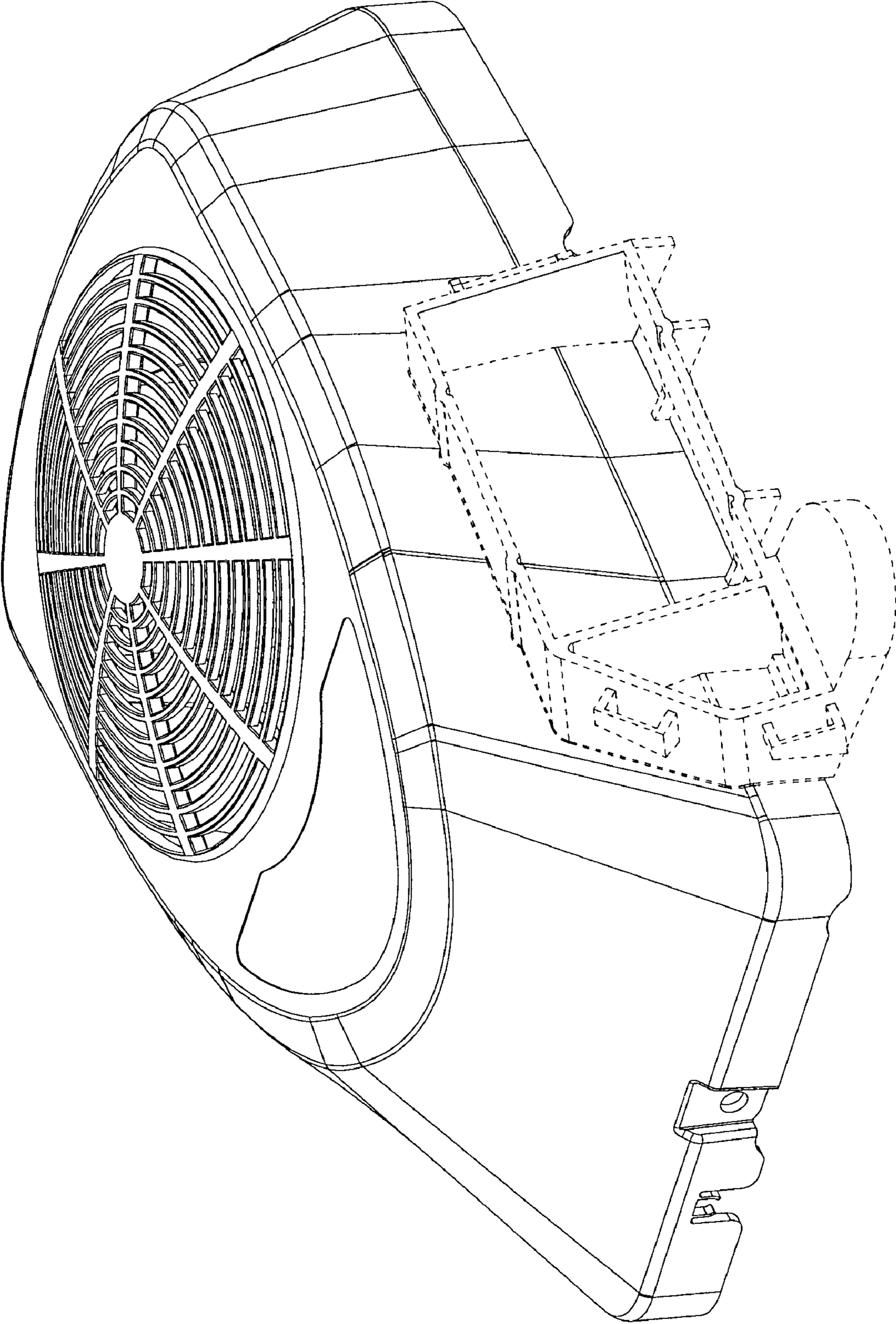


Figure 6

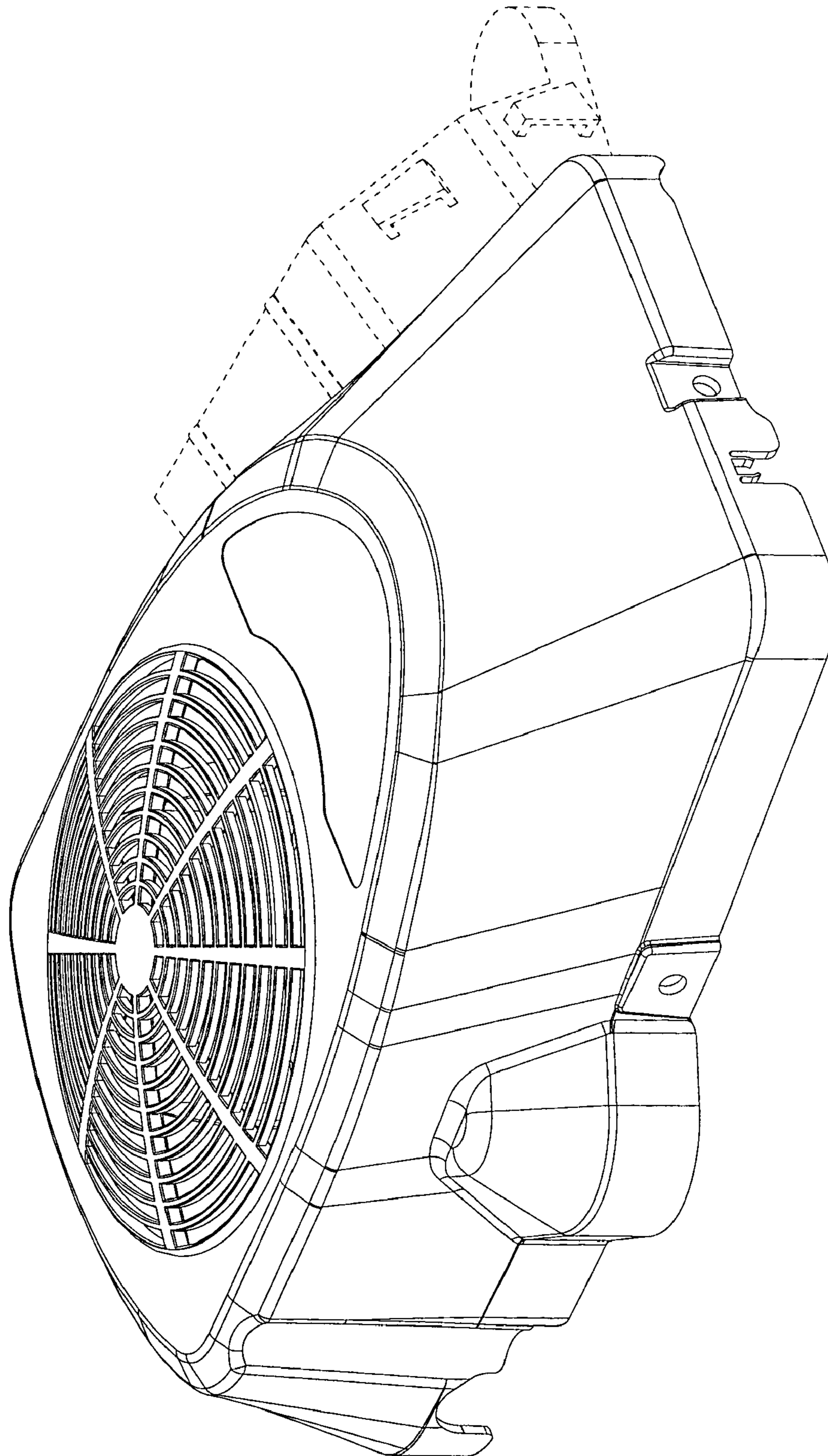


Figure 7