



US00D594878S

(12) **United States Design Patent**
Post et al.

(10) **Patent No.:** **US D594,878 S**
(45) **Date of Patent:** **** Jun. 23, 2009**

(54) **ENGINE SHROUD**

(75) Inventors: **Ronald V. Post**, Manitowoc, WI (US);
David O. Meyers, Kaysville, UT (US);
Christopher T. Boyer, Oak Park, IL
(US)

(73) Assignee: **Kohler Co.**, Kohler, WI (US)

(**) Term: **14 Years**

(21) Appl. No.: **29/284,459**

(22) Filed: **Sep. 7, 2007**

(51) **LOC (9) Cl.** **15-03**

(52) **U.S. Cl.** **D15/5**

(58) **Field of Classification Search** D15/1,
D15/3, 5, 15, 17, 31; 123/50 A, 306, 308
See application file for complete search history.

(56) **References Cited**

U.S. PATENT DOCUMENTS

D330,897 S	11/1992	Carlson et al.	
D352,042 S *	11/1994	Davies, III D15/17
D352,043 S	11/1994	Davies, III	
D396,045 S	7/1998	Neeley	
D396,476 S	7/1998	Shimizu	
D397,342 S	8/1998	Shimizu	
D466,905 S	12/2002	Neeley et al.	
D468,751 S	1/2003	Neeley et al.	
D471,560 S	3/2003	Davis	
D484,889 S	1/2004	Neeley et al.	
D487,751 S	3/2004	Neeley et al.	
D491,192 S	6/2004	Davis	

D491,193 S	6/2004	Davis	
D513,012 S	12/2005	Strandell et al.	
D513,754 S	1/2006	Strandell et al.	
D525,991 S	8/2006	Walters	
D527,022 S	8/2006	Walters	
D527,741 S	9/2006	Vervoors	
D538,823 S	3/2007	Vervoors	
D548,750 S	8/2007	Neeley et al.	
D553,645 S *	10/2007	Drew et al. D15/5

* cited by examiner

Primary Examiner—Lisa P Lichtenstein

(74) *Attorney, Agent, or Firm*—Whyte Hirschboeck Dudek SC

(57) **CLAIM**

An ornamental design for an engine shroud, as shown and described.

DESCRIPTION

FIG. 1 is a perspective view of an engine shroud according to one embodiment of the invention;

FIG. 2 is a right side view thereof;

FIG. 3 is a left side view thereof;

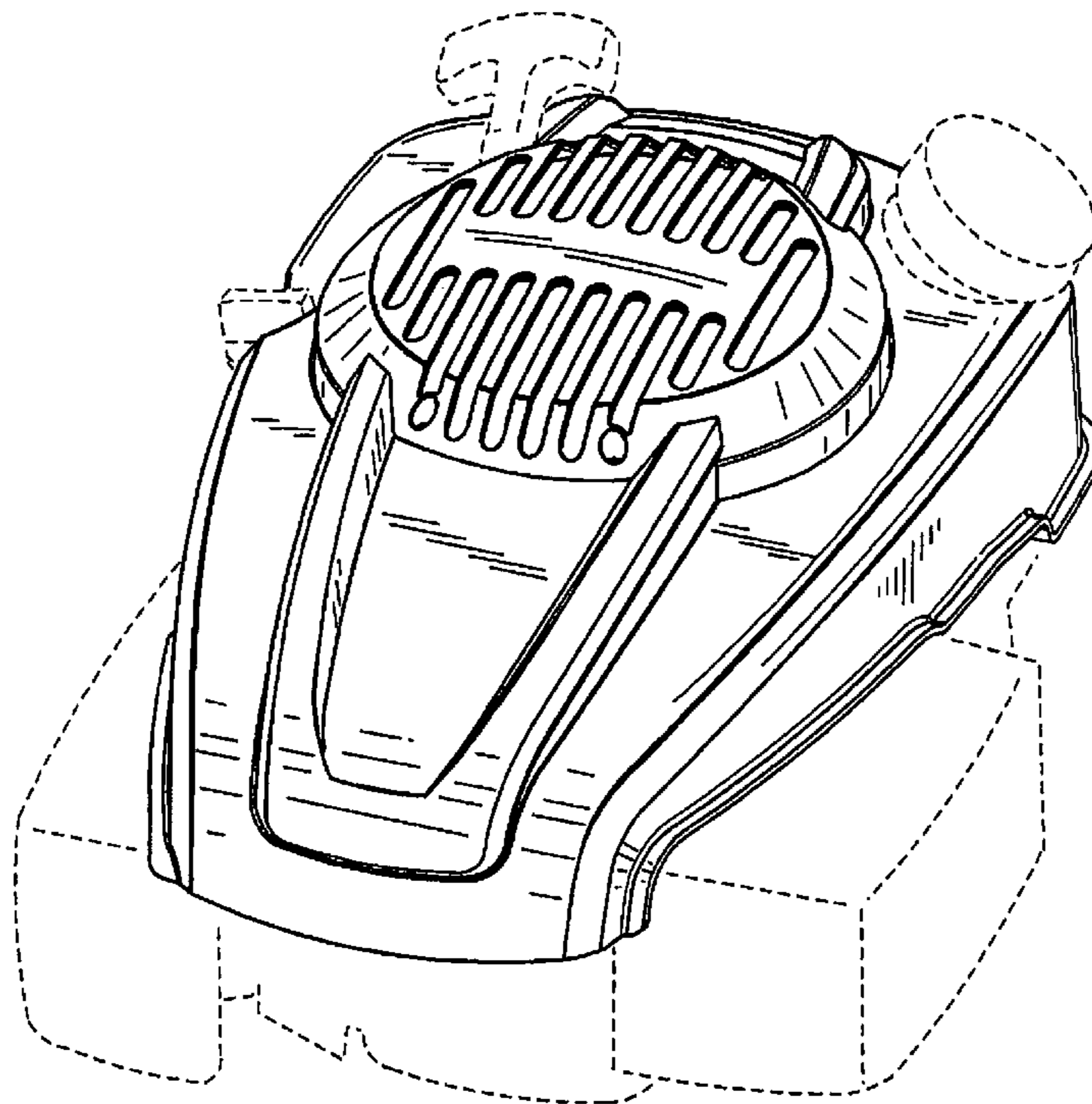
FIG. 4 is a front view thereof;

FIG. 5 is a rear view thereof; and,

FIG. 6 is a top view thereof.

The broken line showing of portions of an engine shroud is included for the purpose of illustrating environmental structure and forms no part of the claimed design.

1 Claim, 6 Drawing Sheets



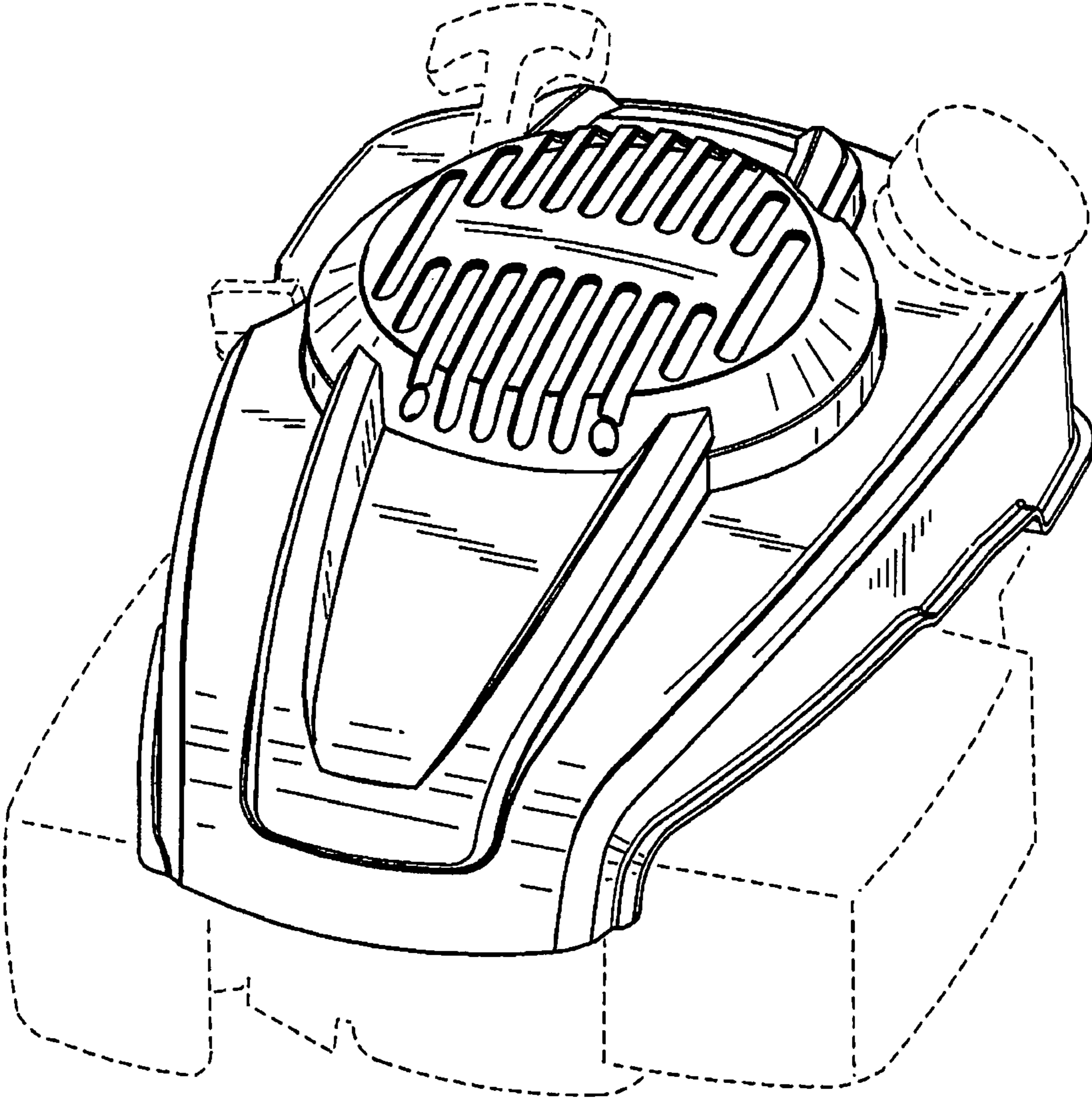


FIG. 1

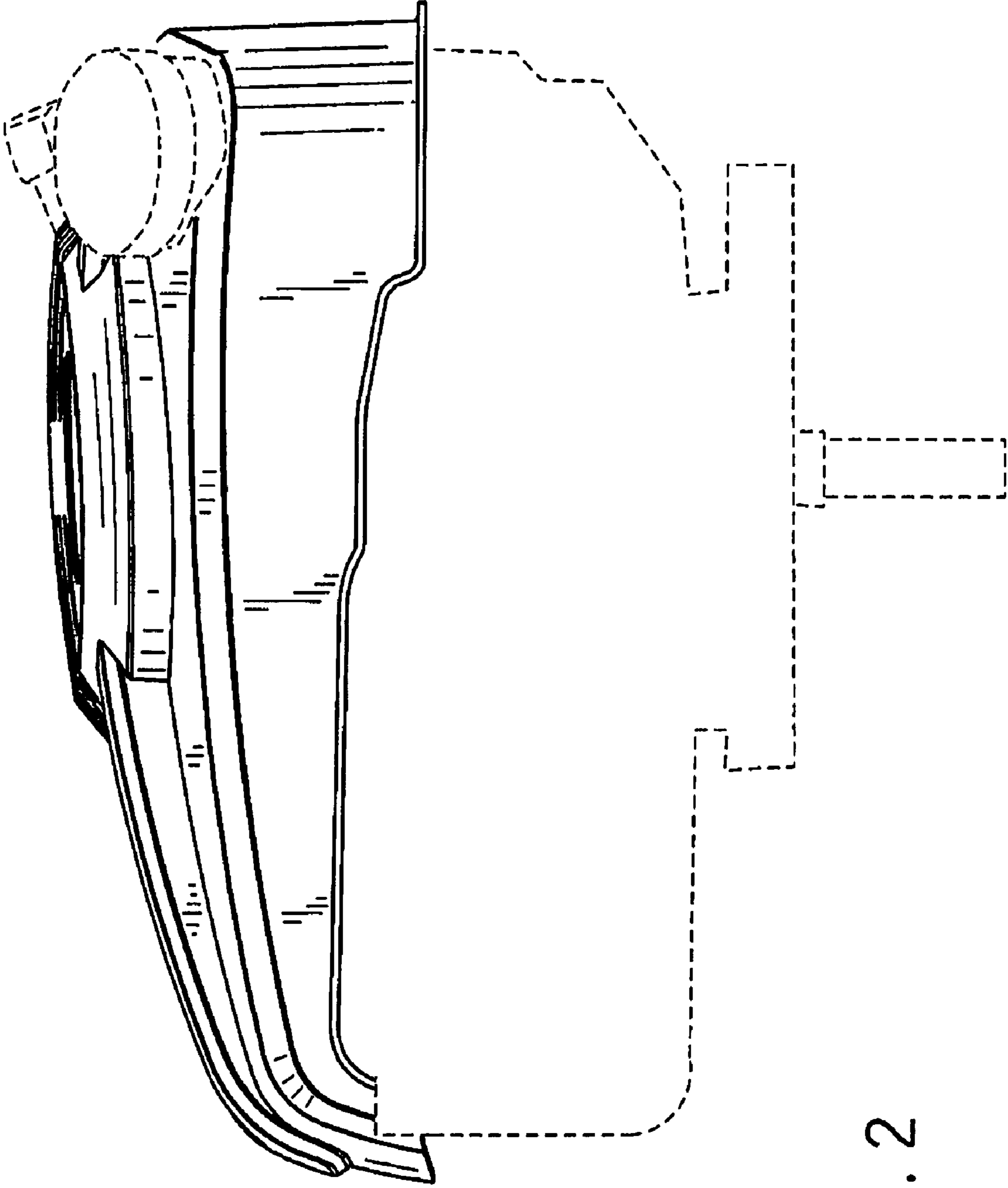


FIG. 2

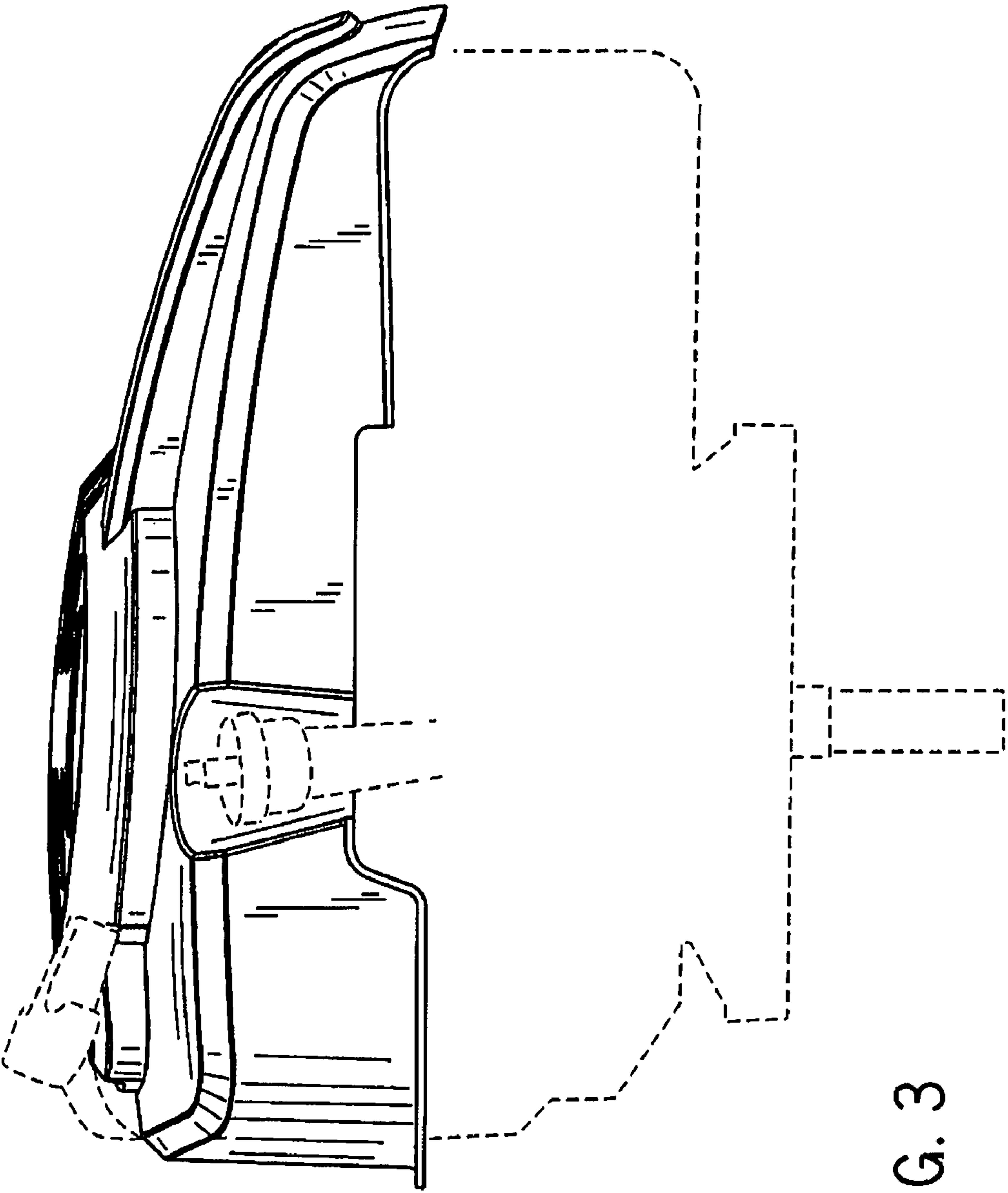


FIG. 3

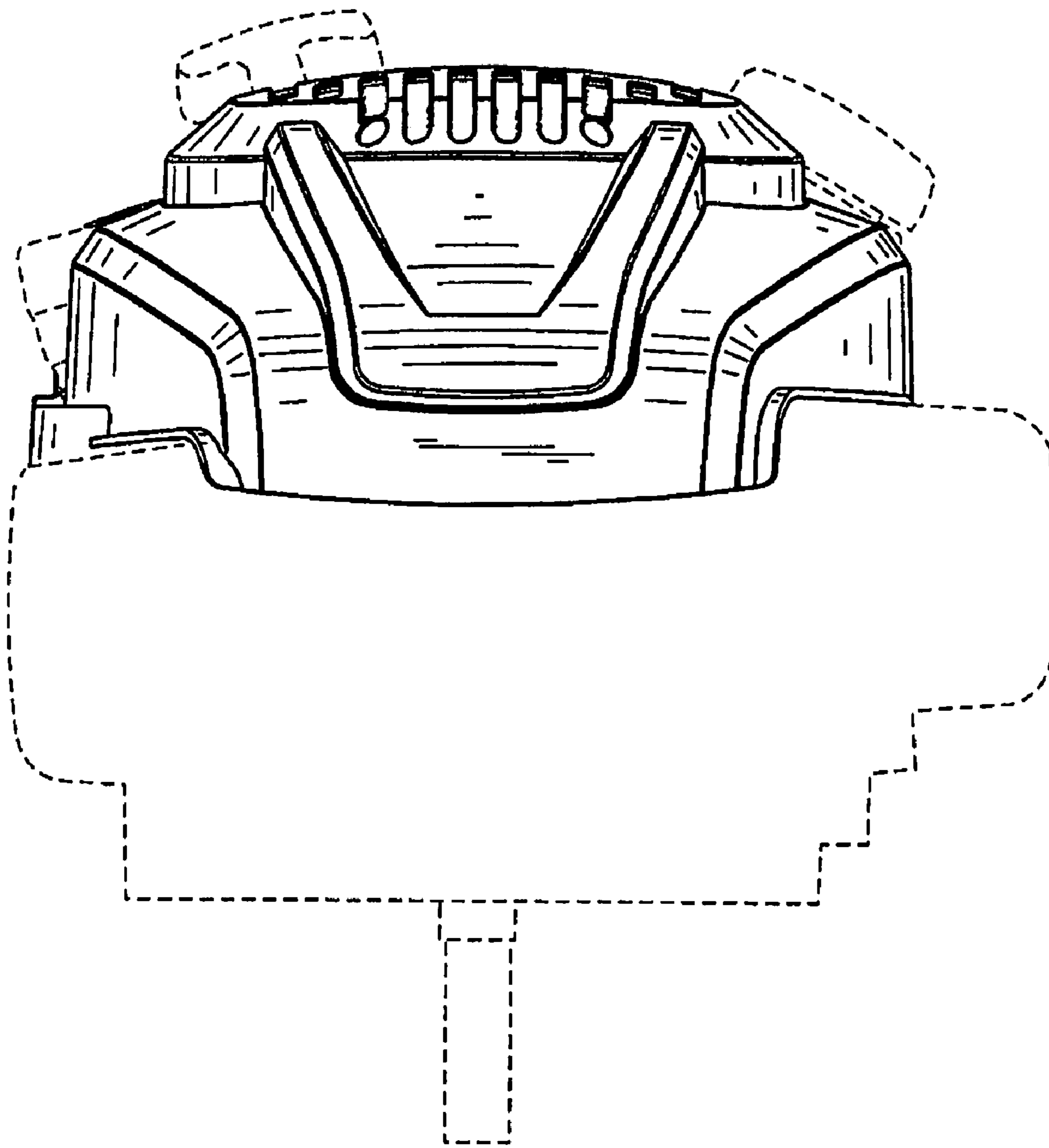


FIG. 4

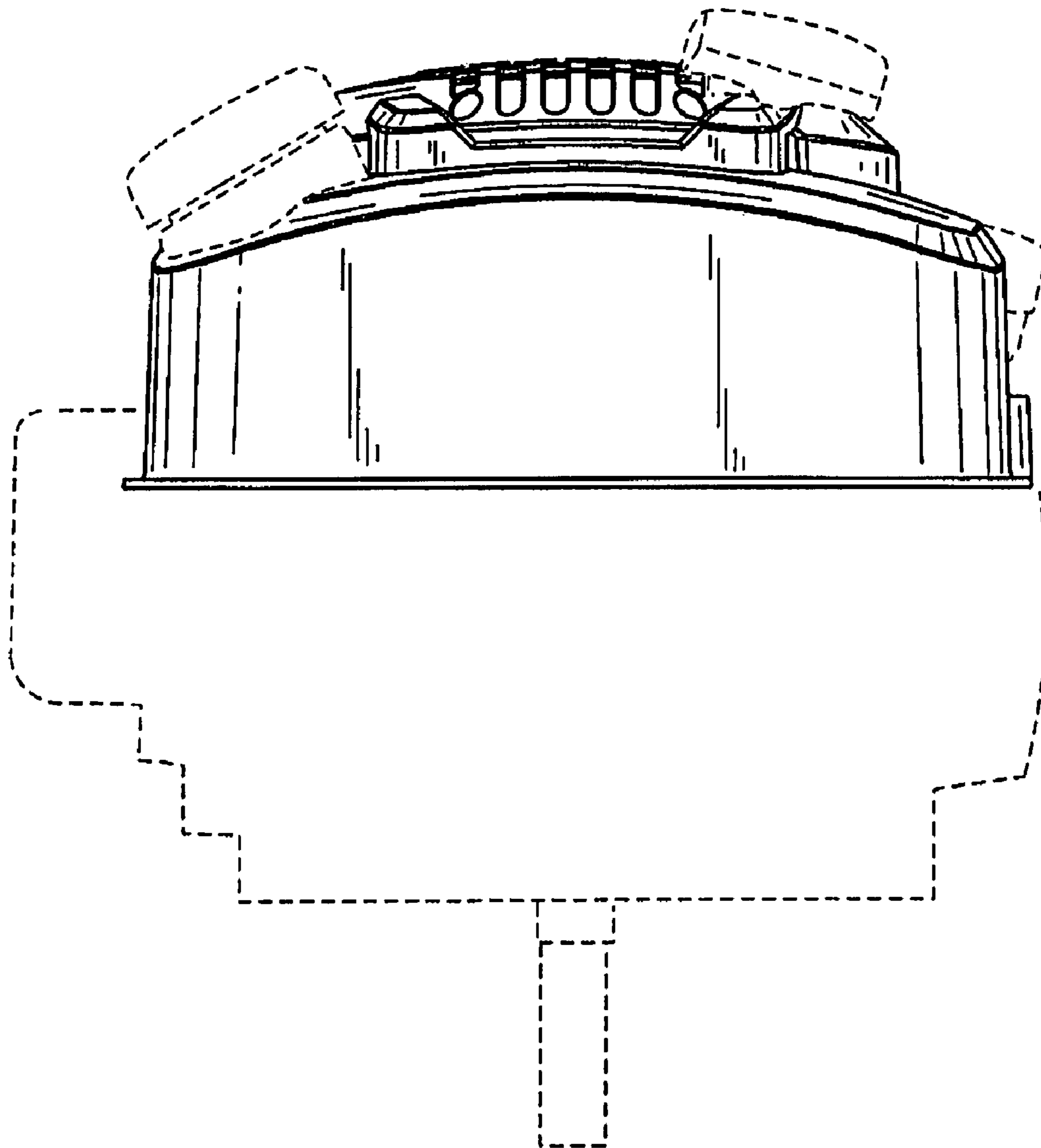


FIG. 5

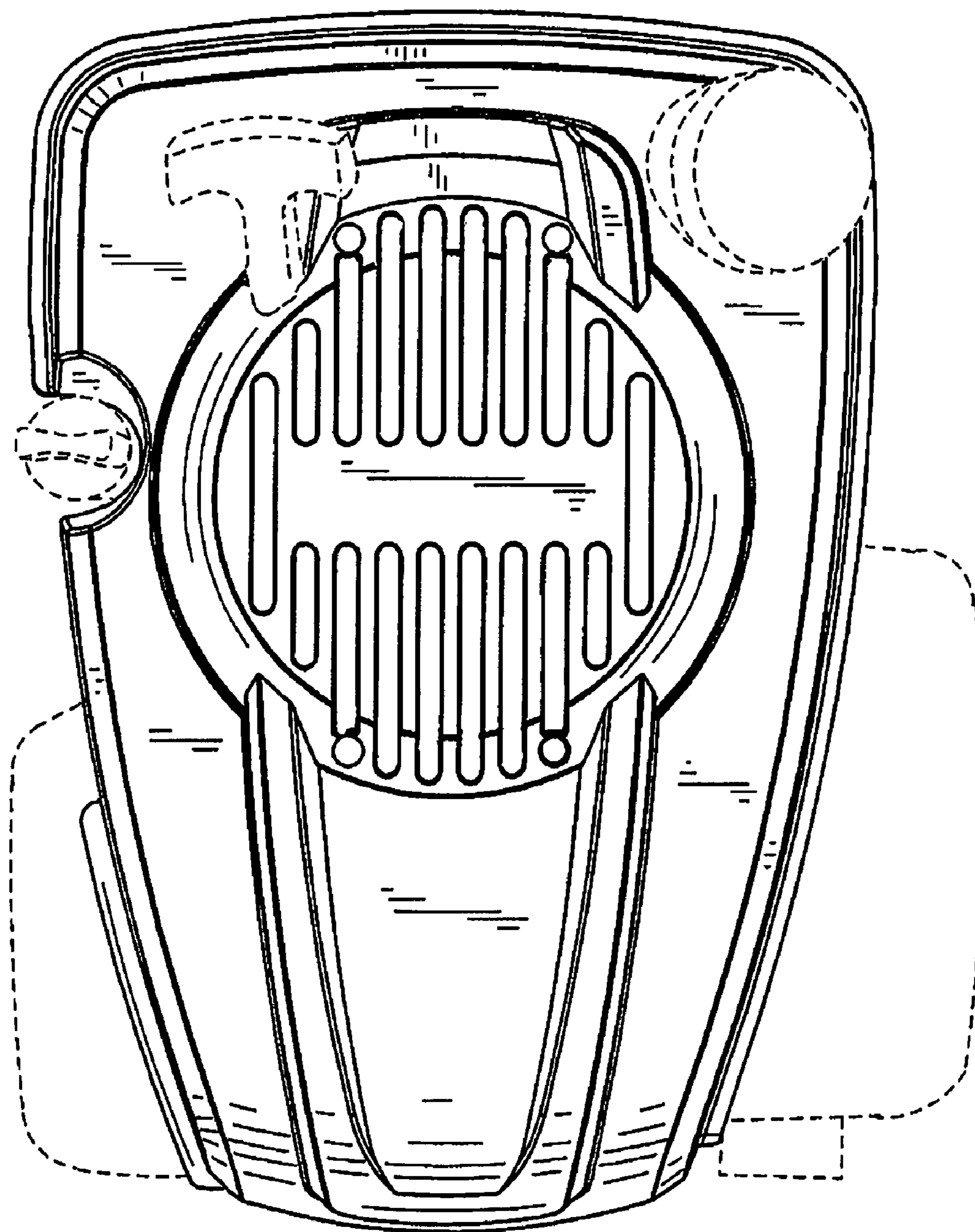


FIG. 6