



US00D594877S

(12) **United States Design Patent**
Iino et al.

(10) **Patent No.:** **US D594,877 S**
(45) **Date of Patent:** **** Jun. 23, 2009**

(54) **VIDEO DISK PLAYER**

(75) Inventors: **Masaaki Iino**, Saitama-ken (JP);
Shinichi Hiroki, Saitama-ken (JP)

(73) Assignee: **Kabushiki Kaisha Toshiba**, Tokyo (JP)

(**) Term: **14 Years**

(21) Appl. No.: **29/328,122**

(22) Filed: **Nov. 19, 2008**

(30) **Foreign Application Priority Data**

Sep. 10, 2008 (JP) 2008-023263

(51) **LOC (9) Cl.** **14-01**

(52) **U.S. Cl.** **D14/502**

(58) **Field of Classification Search** D14/496,
D14/498-511, 167-168, 188, 197-198; 360/99.02,
360/99.07; 369/75.11, 75.21, 77.11, 77.21;
720/601, 612, 619, 649, 655; 455/344, 347-351
See application file for complete search history.

(56) **References Cited**

U.S. PATENT DOCUMENTS

- D297,007 S * 8/1988 Pushelberg D14/496
- D347,004 S * 5/1994 Beaumont et al. D14/188
- D470,115 S 2/2003 Zeitman
- D470,468 S 2/2003 Ota
- D482,369 S * 11/2003 Matuschek D14/496
- D490,441 S * 5/2004 Inoue et al. D14/496
- D524,271 S 7/2006 Itai et al.
- D544,497 S 6/2007 Kindle et al.
- D556,163 S 11/2007 Oota

- D559,809 S 1/2008 Oota
- D568,337 S 5/2008 An
- D570,315 S 6/2008 Kaneko
- D573,563 S 7/2008 Kaneko
- D576,581 S 9/2008 Son et al.

FOREIGN PATENT DOCUMENTS

- JP D1257386 12/2005
- JP D1320053 1/2008

OTHER PUBLICATIONS

Canon Catalo DW-100 obtained by applicant on Dec. 18, 2007.

* cited by examiner

Primary Examiner—Nanda Bondade

(74) *Attorney, Agent, or Firm*—Banner & Witcoff, Ltd.

(57) **CLAIM**

The ornamental design for a video disk player, as shown and described.

DESCRIPTION

FIG. 1 is a top, front and right side perspective view of a video disk player showing our new design,

FIG. 2 is a front elevational view thereof,

FIG. 3 is a right side elevational view thereof, a left side elevational view being a mirror image thereof,

FIG. 4 is a top plan view thereof;

FIG. 5 is a bottom plan view thereof; and,

FIG. 6 is a rear elevational view thereof.

1 Claim, 2 Drawing Sheets

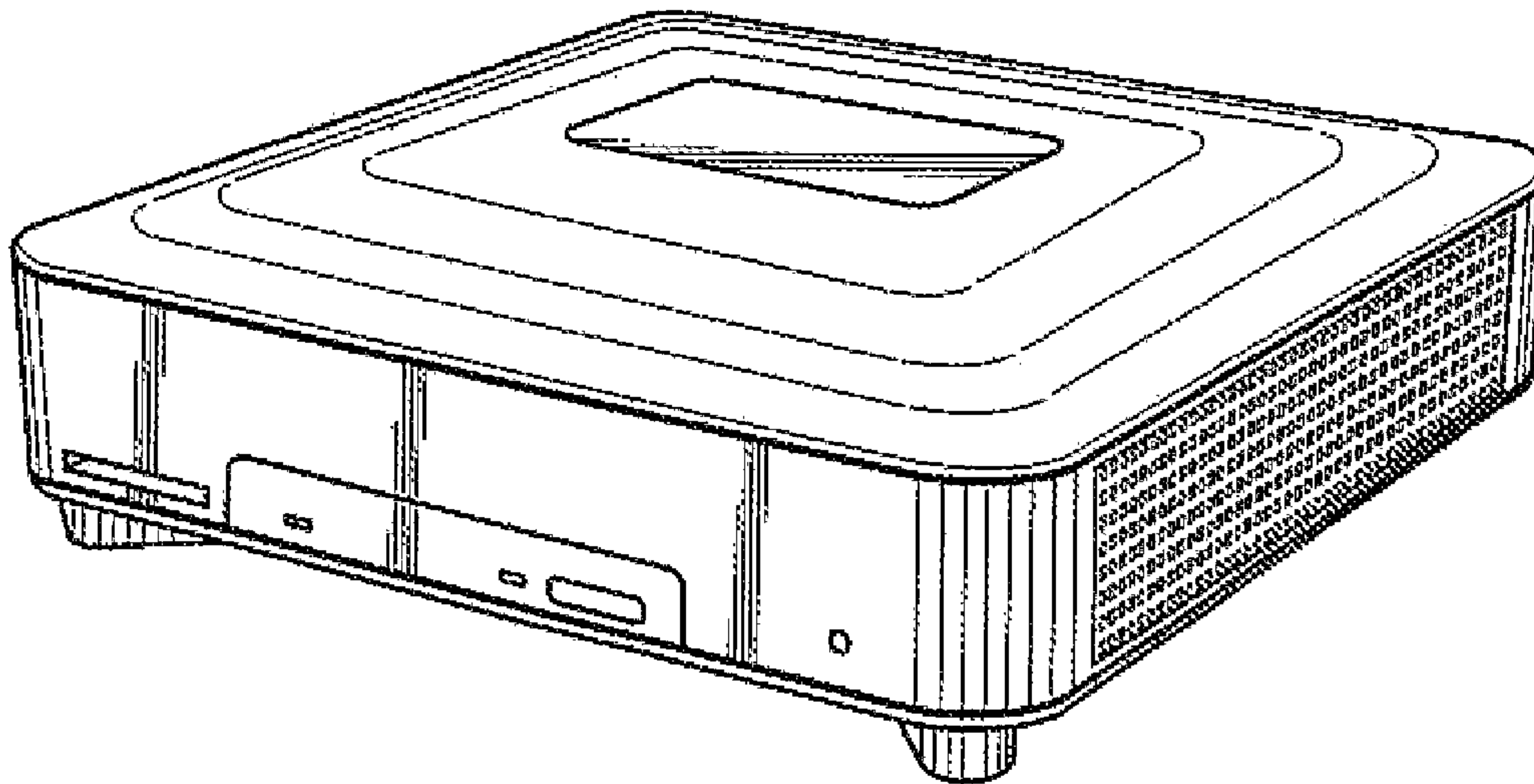


FIG. 1

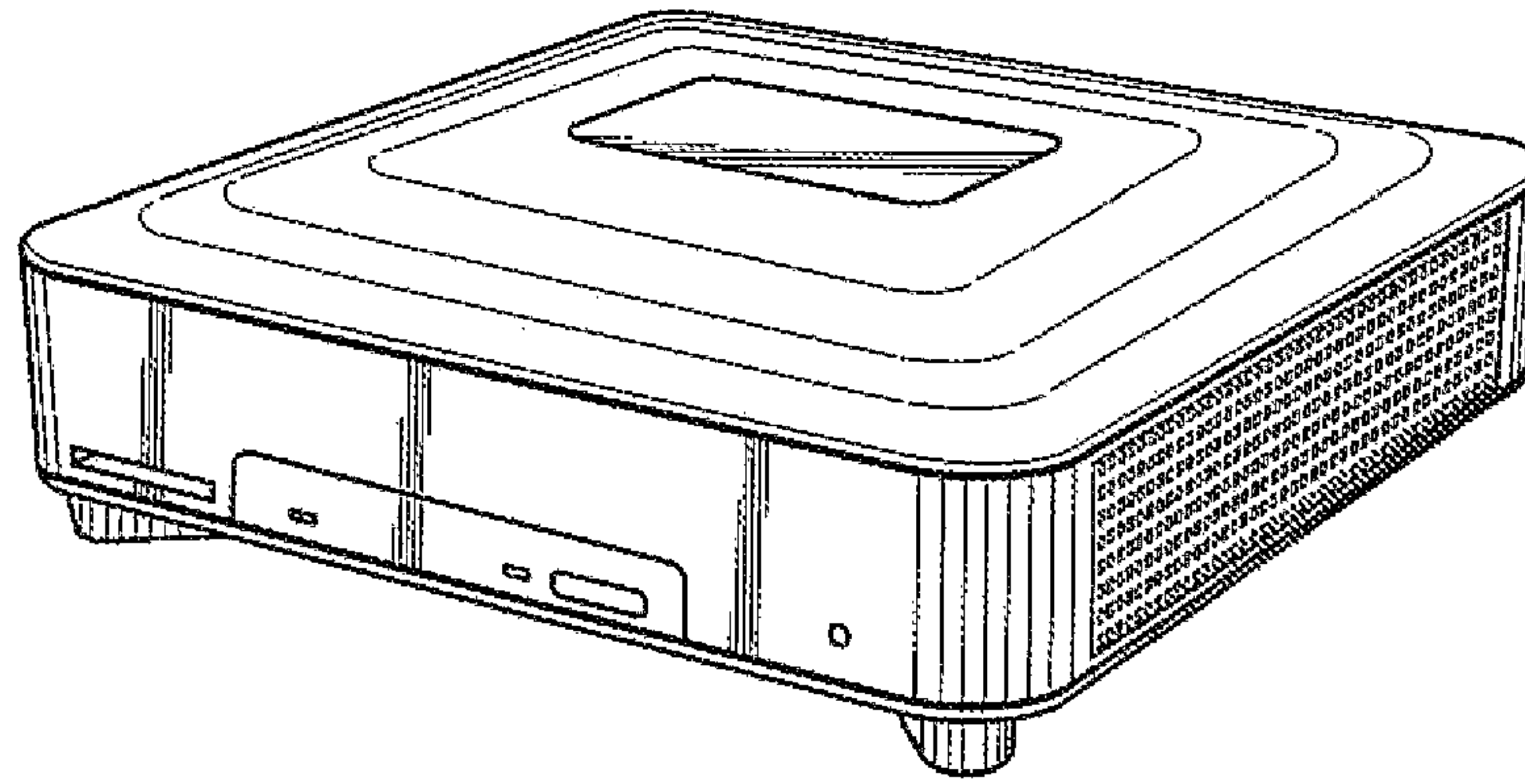


FIG. 2

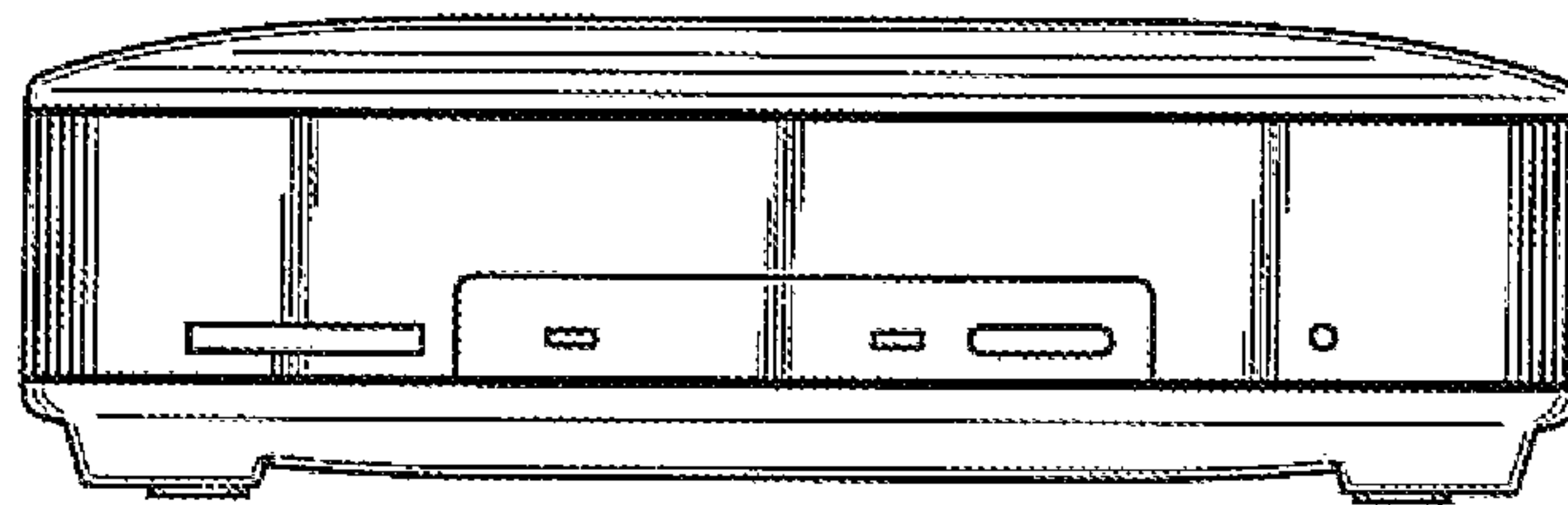


FIG. 3

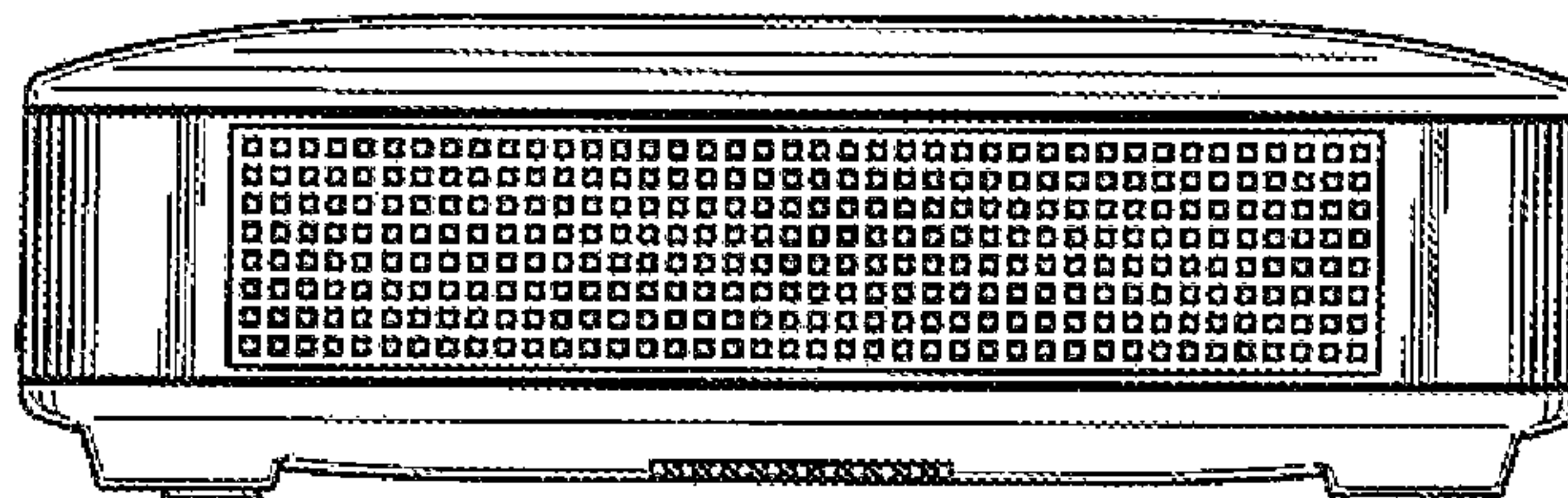


FIG. 4

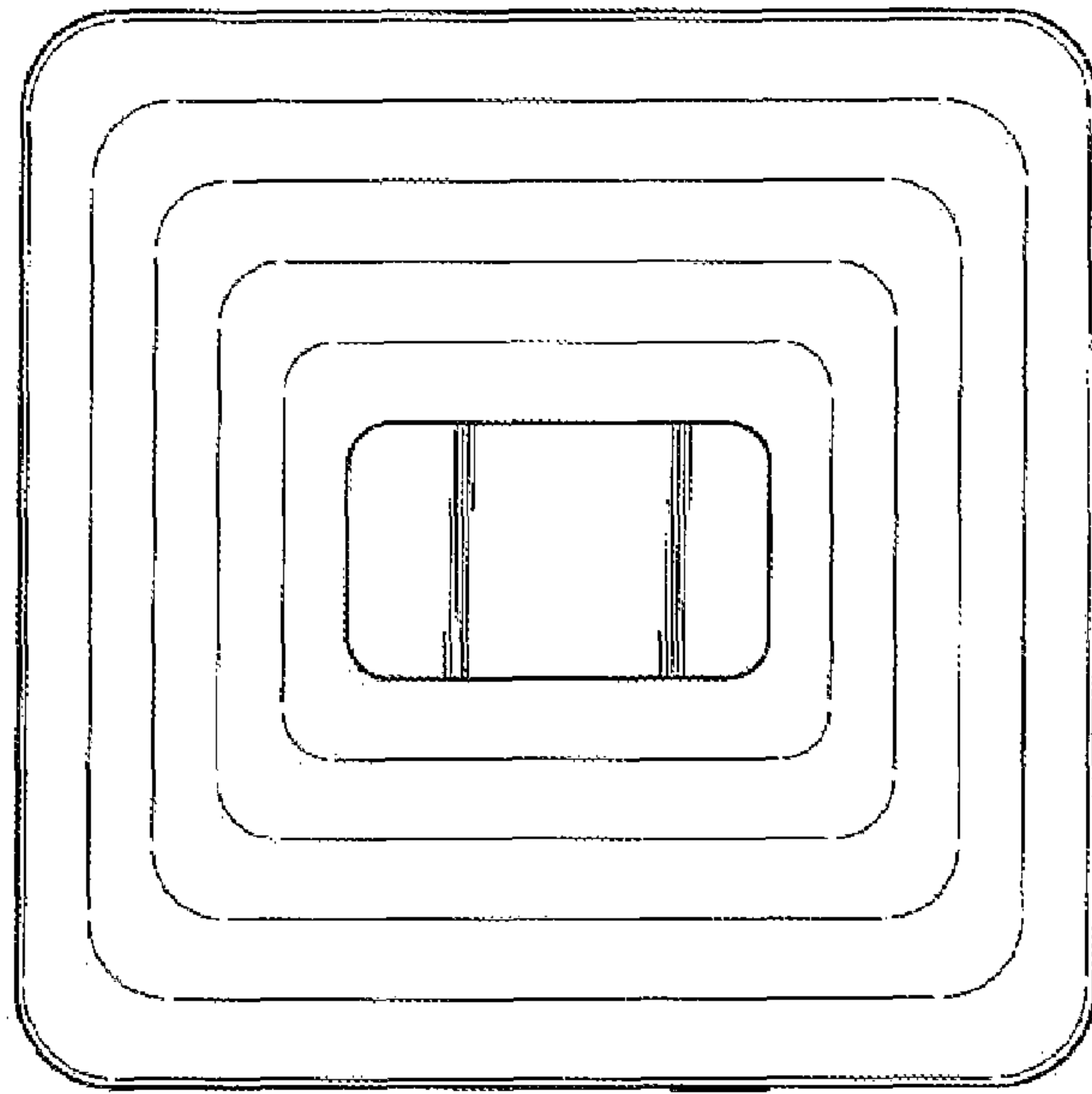


FIG. 5

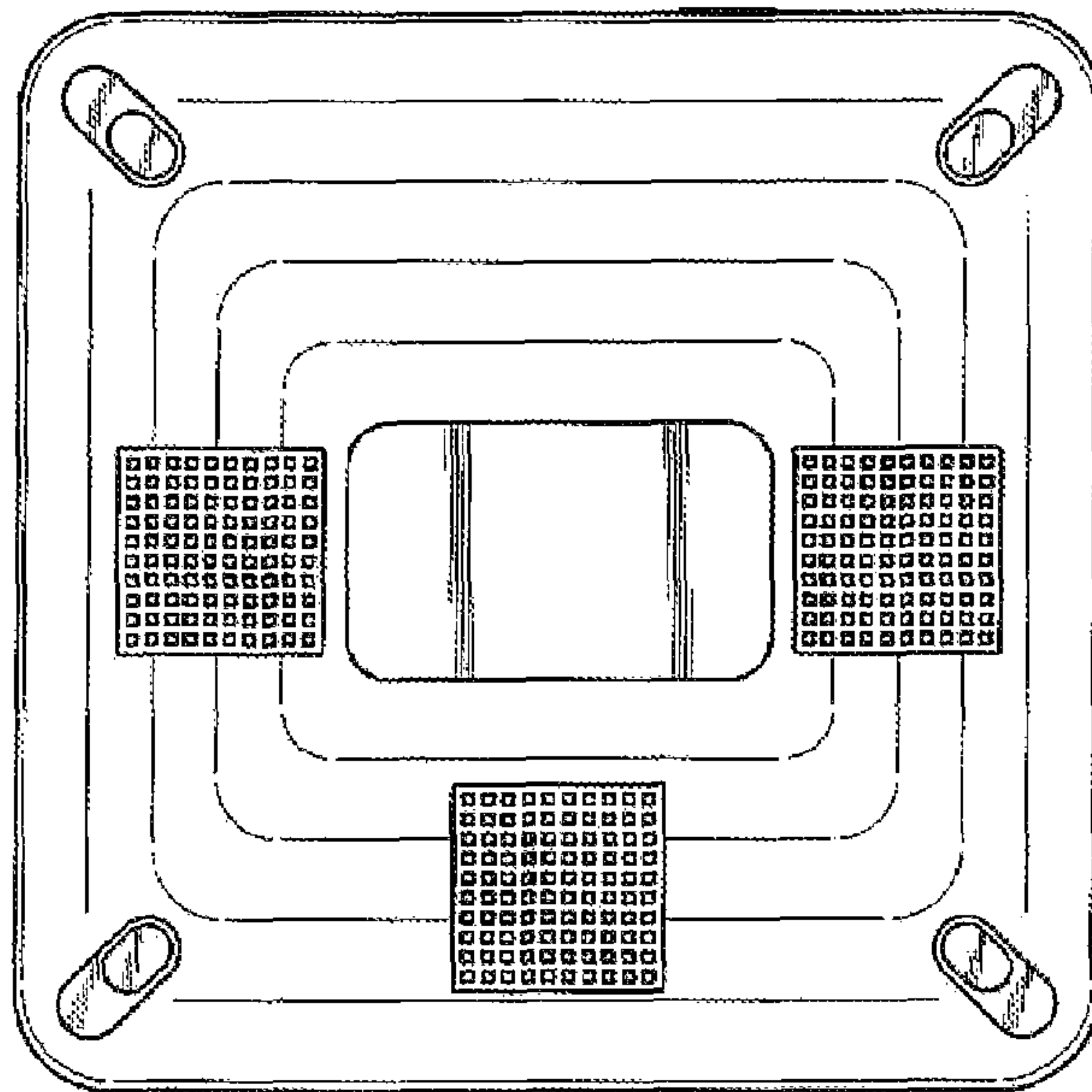


FIG. 6

