

US00D594871S

(12) **United States Design Patent**
Ma

(10) **Patent No.:** **US D594,871 S**
(45) **Date of Patent:** **** Jun. 23, 2009**

(54) **FLASH DRIVE**

2008/0288697 A1* 11/2008 Kim 710/300

(76) Inventor: **Tien-Chi Ma**, No. 75, Sec. 2, Minquan
E. Rd., Zhongshan District, Taipei City
(TW)

OTHER PUBLICATIONS

(**) Term: **14 Years**

Laptoplog >> Usb—Memoria Flash Swivel USB de 4Gb, p. 10
[online] Dec. 20, 2005 [retrieved on Jan. 30, 2007]. Retrieved from
the Internet <URL: <http://www.laptoplog.com/category/accesorios/usb/>>.*

(21) Appl. No.: **29/309,359**

Rotatable Card Reader Manufacture, p. 1 [online], [retrieved on Jan.
8, 2007]. Retrieved from the Internet <URL: <http://www.globalsources.com/gsol/1/Memory-card/p/bg/1001397133.htm>>.*

(22) Filed: **Jul. 31, 2008**

Imation, [online], [retrieved on Dec. 4, 2006]. Retrieved from the
Internet <URL: <http://www.sosoft.net/product/imation/5464-3.png>>.*

(51) **LOC (9) Cl.** **14-99**

(52) **U.S. Cl.** **D14/480.6**

(58) **Field of Classification Search** D14/301,
D14/313, 348–358, 363, 368, 370, 432–436,
D14/496, 136–137, 155–156, 167–168, 240,
D14/242, 299, 411, 384–385, 518, 402; D3/201,
D3/273; D13/149, 184; 710/300–301; 439/131,
439/140–142; 361/684–686; 360/97.01

Functional Keychains: USB Rechargeable Keychain Light, Web
Archive [online] Dec. 26, 2005 [retrieved on Dec. 6, 2006]. Retrieved
from the Internet <URL: <http://web.archive.org/web/20051226115851/http://www.promotionalkeychains.biz/usb-keychain-light.html>>.*

See application file for complete search history.

* cited by examiner

(56) **References Cited**

Primary Examiner—Cathron C Brooks
Assistant Examiner—Karen E Kearney
(74) *Attorney, Agent, or Firm*—Bacon & Thomas, PLLC

U.S. PATENT DOCUMENTS

(57) **CLAIM**

- D444,788 S * 7/2001 Do et al. D14/433
- D550,705 S * 9/2007 Ichimura D14/496
- 7,269,004 B1 * 9/2007 Ni et al. 361/679.41
- D556,195 S * 11/2007 Lin D14/356
- D556,197 S * 11/2007 Blankenship et al. D14/356
- 7,295,431 B2 * 11/2007 Chuang 361/679.55
- D556,751 S * 12/2007 Rambosek et al. D14/356
- 7,335,036 B1 * 2/2008 Lin 439/131
- D580,434 S * 11/2008 Kim D14/356
- D581,926 S * 12/2008 Kim D14/356
- 7,466,556 B2 * 12/2008 Hiew et al. 361/737
- 7,473,112 B2 * 1/2009 Zhu et al. 439/142
- 2006/0073717 A1 * 4/2006 Ng et al. 439/131
- 2008/0019090 A1 * 1/2008 Zhu et al. 361/684
- 2008/0232060 A1 * 9/2008 Yu et al. 361/684
- 2008/0276099 A1 * 11/2008 Nguyen et al. 713/186
- 2008/0278902 A1 * 11/2008 Nguyen et al. 361/684

The ornamental design for a flash drive, as shown.

DESCRIPTION

FIG. 1 is a perspective view of a flash drive showing my new design;

FIG. 2 is a front elevational view thereof;

FIG. 3 is a rear elevational view thereof;

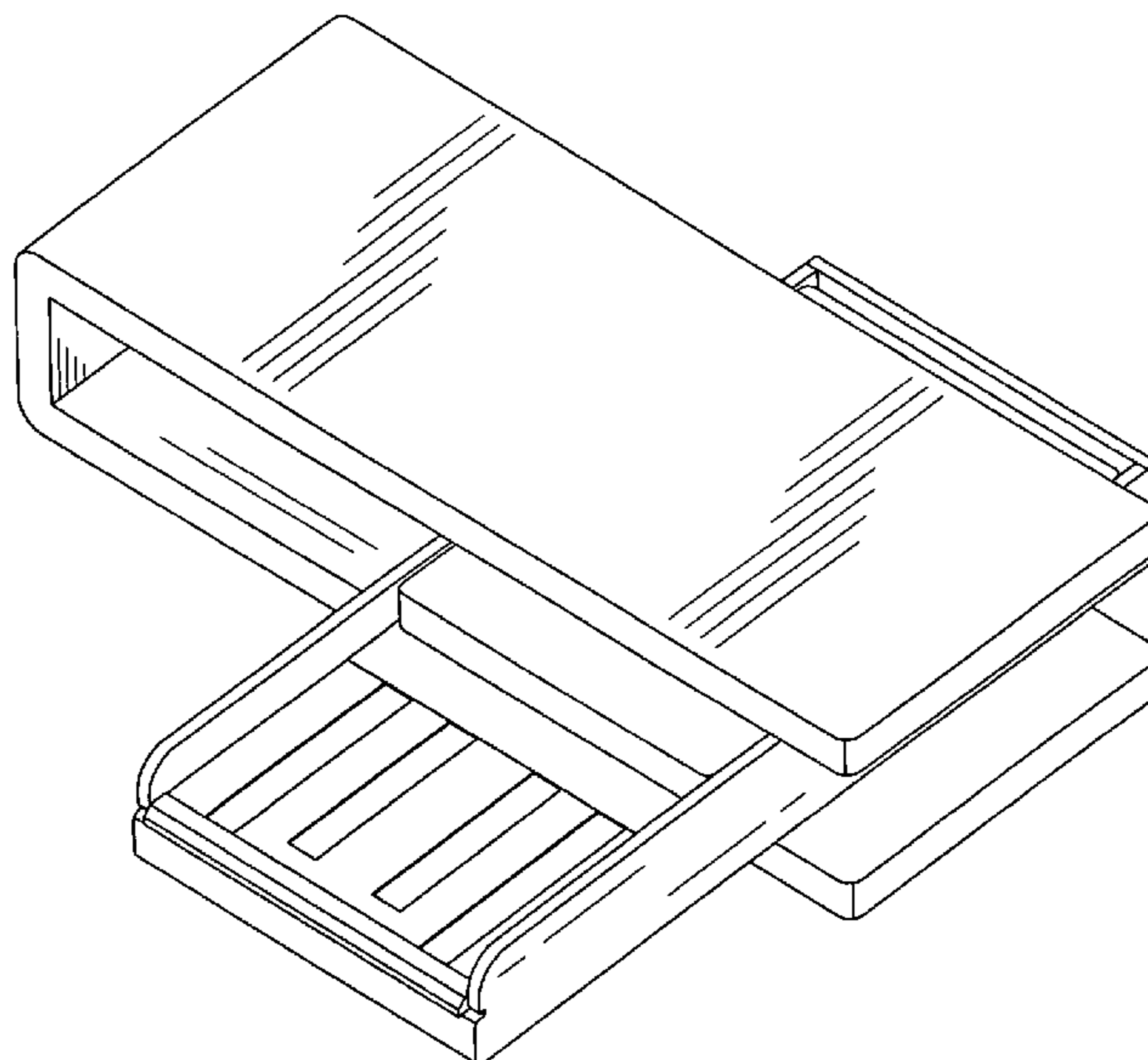
FIG. 4 is a left side elevational view thereof;

FIG. 5 is a right side elevational view thereof;

FIG. 6 is a top plan view thereof; and,

FIG. 7 is a bottom plan view thereof.

1 Claim, 6 Drawing Sheets



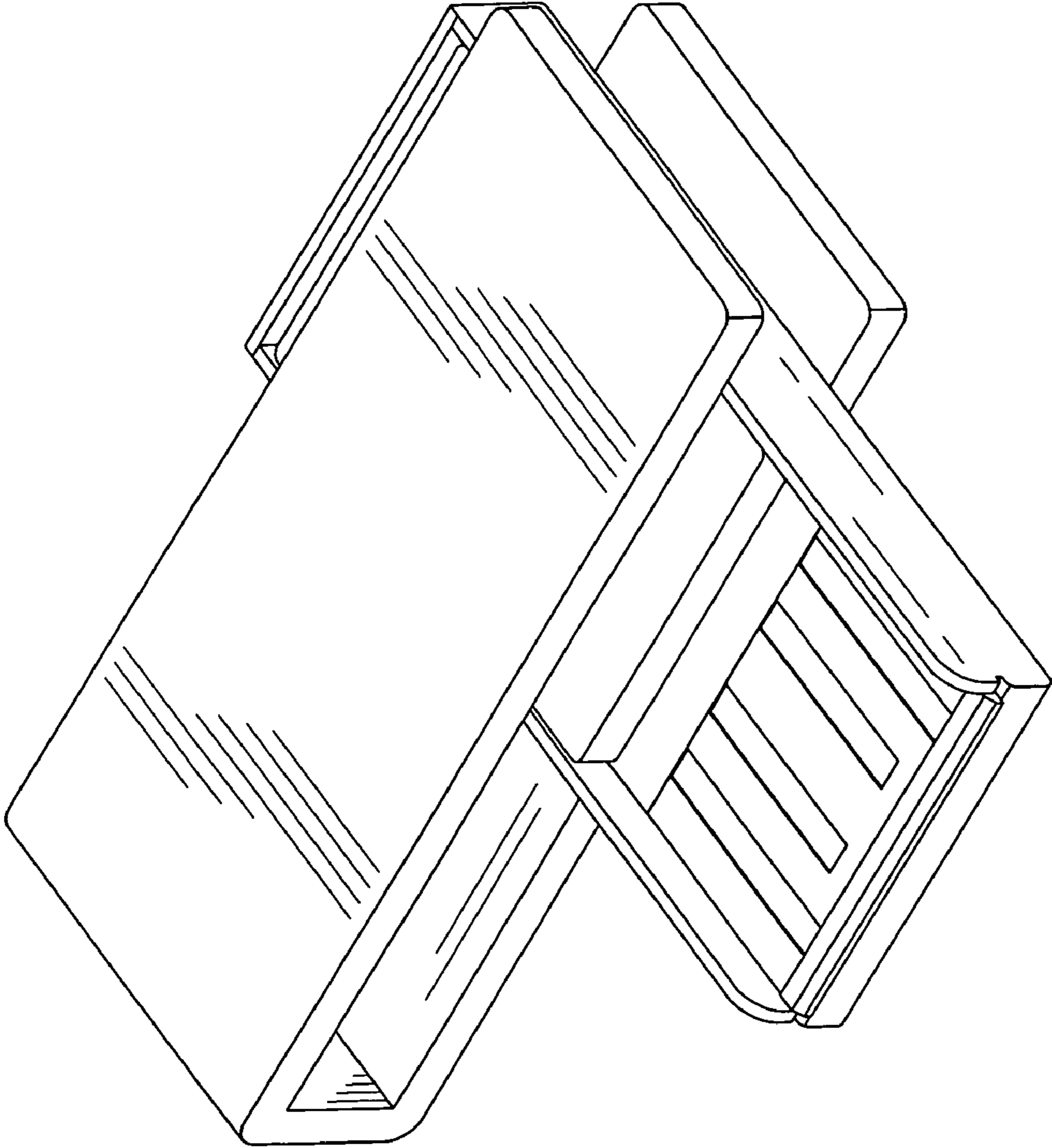


FIG. 1

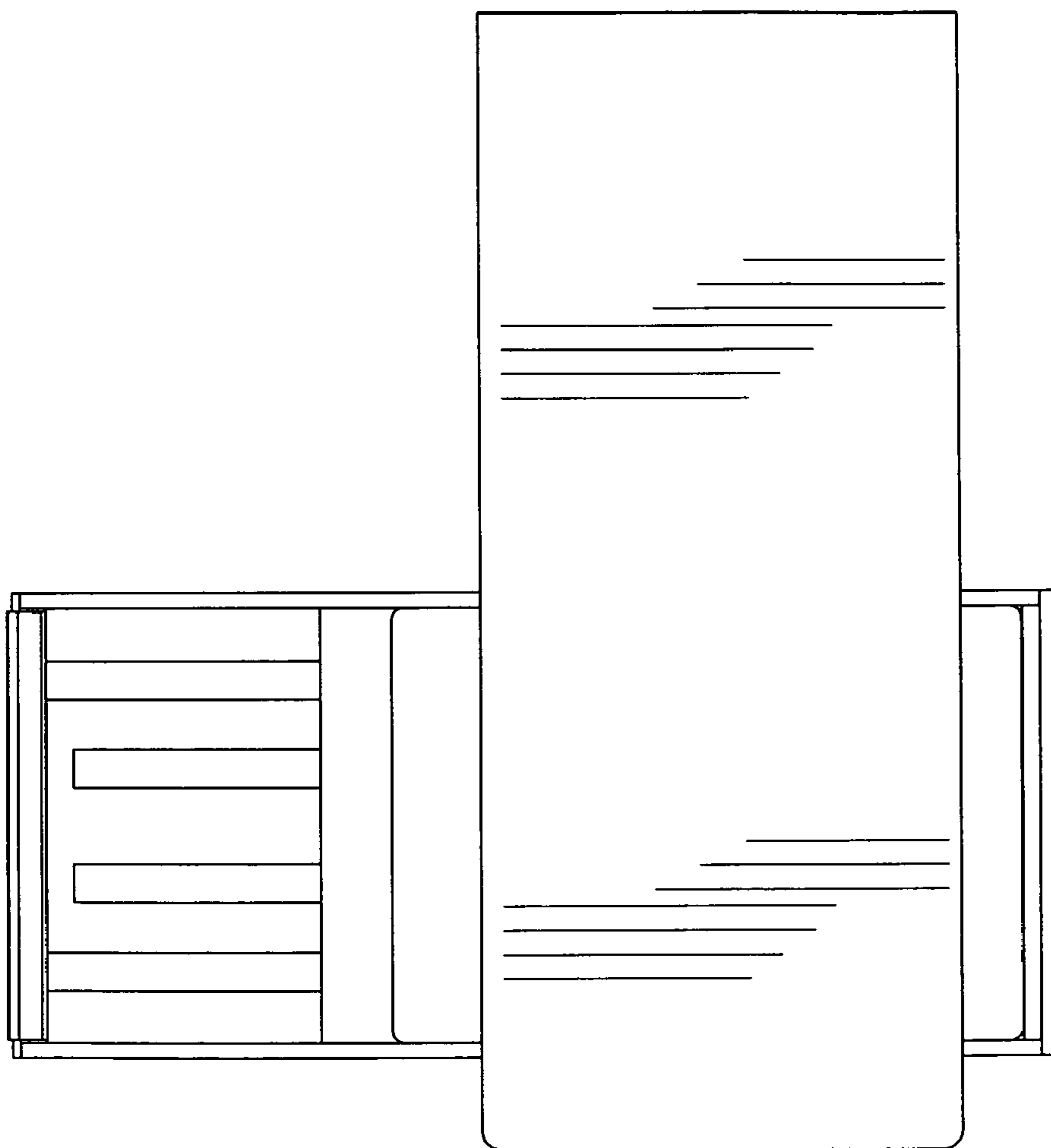


FIG. 2



FIG. 3

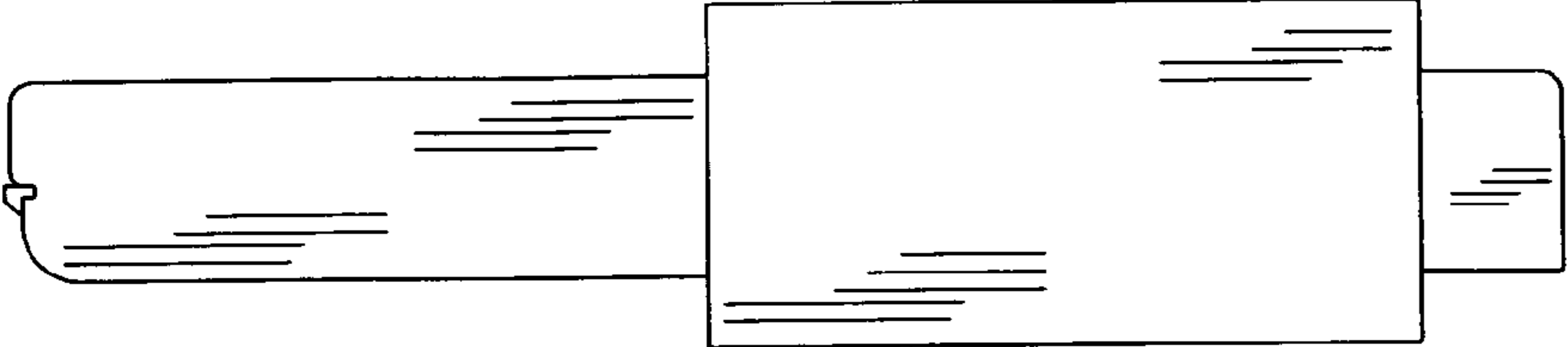


FIG. 5

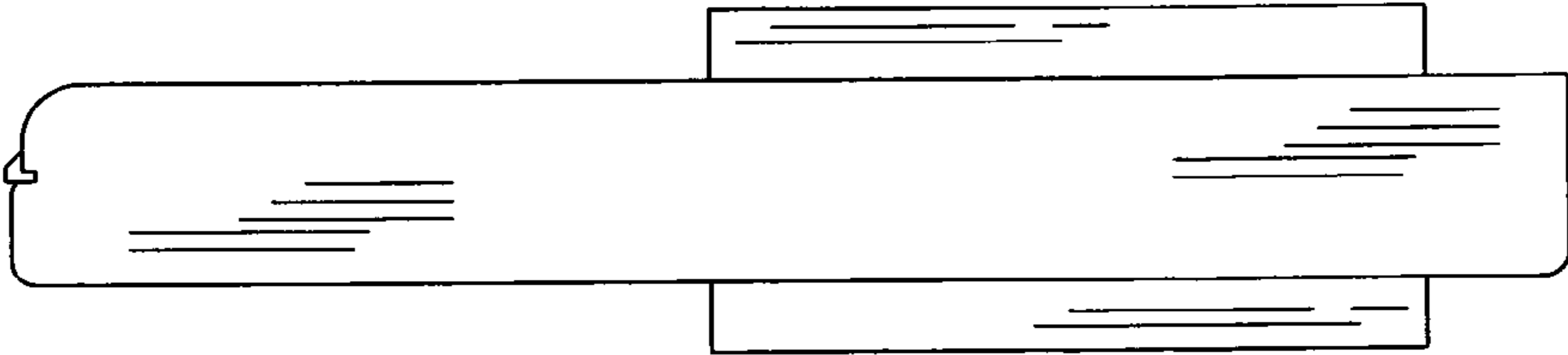


FIG. 4

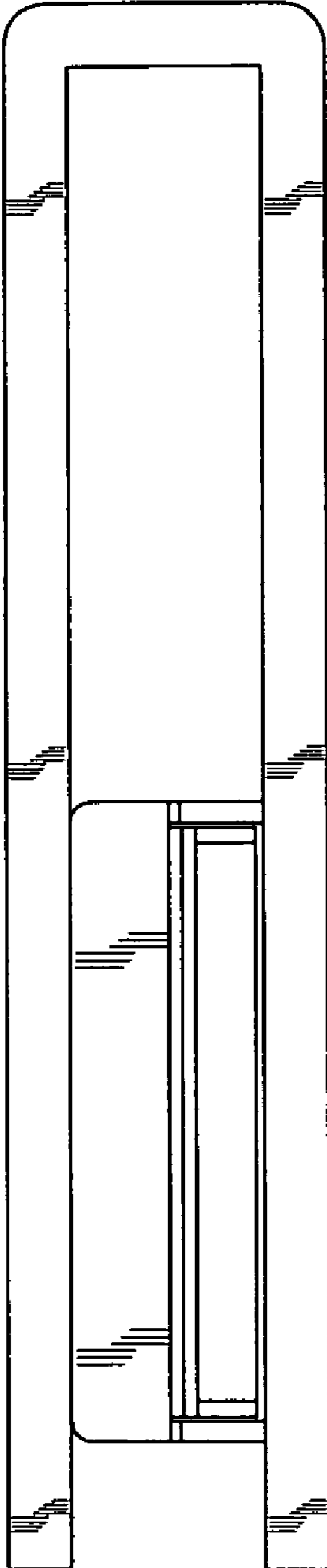


FIG. 6

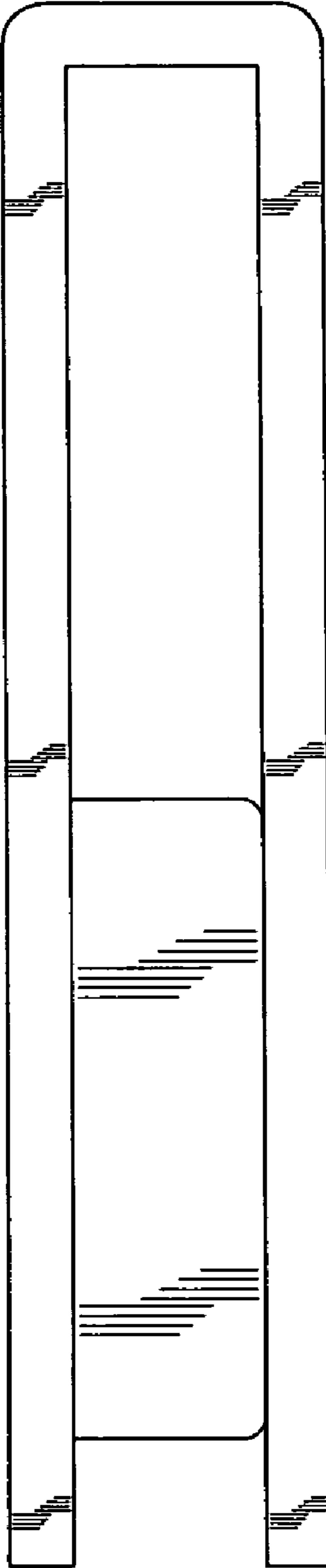


FIG. 7