



US00D594869S

(12) **United States Design Patent**
Rak et al.

(10) **Patent No.:** **US D594,869 S**
(45) **Date of Patent:** **** Jun. 23, 2009**

(54) **INPUT PAD FOR A HAND-HELD ELECTRONIC DEVICE**

(75) Inventors: **Roman P. Rak**, Waterloo (CA); **Jason T. Griffin**, Kitchener (CA)

(73) Assignee: **Research in Motion Limited**, Waterloo, Ontario (CA)

(**) Term: **14 Years**

(21) Appl. No.: **29/324,182**

(22) Filed: **Sep. 8, 2008**

D492,657 S	7/2004	Jensfelt
D492,660 S	7/2004	Kim et al.
6,785,565 B2	8/2004	Gventer
6,810,272 B2	10/2004	Kraft et al.
D498,752 S	11/2004	Kagami et al.
D502,933 S	3/2005	Munstermann
D503,163 S	3/2005	Chan et al.
6,865,404 B1	3/2005	Tikkala et al.
D514,542 S	2/2006	Bertrand et al.
D524,279 S	7/2006	Lai
D524,786 S	7/2006	Paradise et al.
D524,803 S	7/2006	Tyneski et al.
D530,697 S	10/2006	Wei et al.
D538,251 S	3/2007	Park et al.
D541,247 S	4/2007	Lee et al.

Related U.S. Application Data

(62) Division of application No. 29/247,462, filed on Jun. 20, 2006, now Pat. No. Des. 586,344.

(51) **LOC (9) Cl.** **14-02**

(52) **U.S. Cl.** **D14/455; D14/247**

(58) **Field of Classification Search** D14/341, D14/342, 343, 344, 345, 346, 347, 452, 374, D14/426, 496, 137, 138, 247, 455, 456, 420, D14/427, 432, 439, 440, 441, 448, 125, 129, D14/130, 250, 389, 147, 218, 156, 126, 203.1, D14/203.2, 203.3, 203.4, 203.5, 203.6, 203.7, D14/138 R, 138 AA, 138 AC, 138 AD, 138 C, D14/138 G, 248; D21/517, 329, 331, 686; D18/7, 6; D10/65, 104; 345/169, 173; 379/433.04, 379/433.06, 433.07, 433.11, 433.12, 433.13; 348/14.02; 455/556.1, 556.2, 566, 575.1, 455/575.4, 90.3, 575.3; 349/12; D13/168; D6/596, 601, 605; 361/814; 341/22

See application file for complete search history.

(56) **References Cited**

U.S. PATENT DOCUMENTS

D471,201 S	3/2003	Tsukuda
D477,596 S	7/2003	Hayes
D478,883 S	8/2003	Jensfelt et al.
D479,514 S	9/2003	Chan
D491,930 S	6/2004	Widiaman

(Continued)

FOREIGN PATENT DOCUMENTS

WO 000088547-0001 1/2004

OTHER PUBLICATIONS

Motorola ROKR E1, Sep. 2005, http://www.gsmarena.com/motorola_rokr_e1-1273.php.

Primary Examiner—Jennifer Rivard

Assistant Examiner—Angela J Lee

(74) *Attorney, Agent, or Firm*—Novak Druce & Quigg LLP

(57) **CLAIM**

We claim the ornamental design for an input pad for a hand-held electronic device, as shown and described.

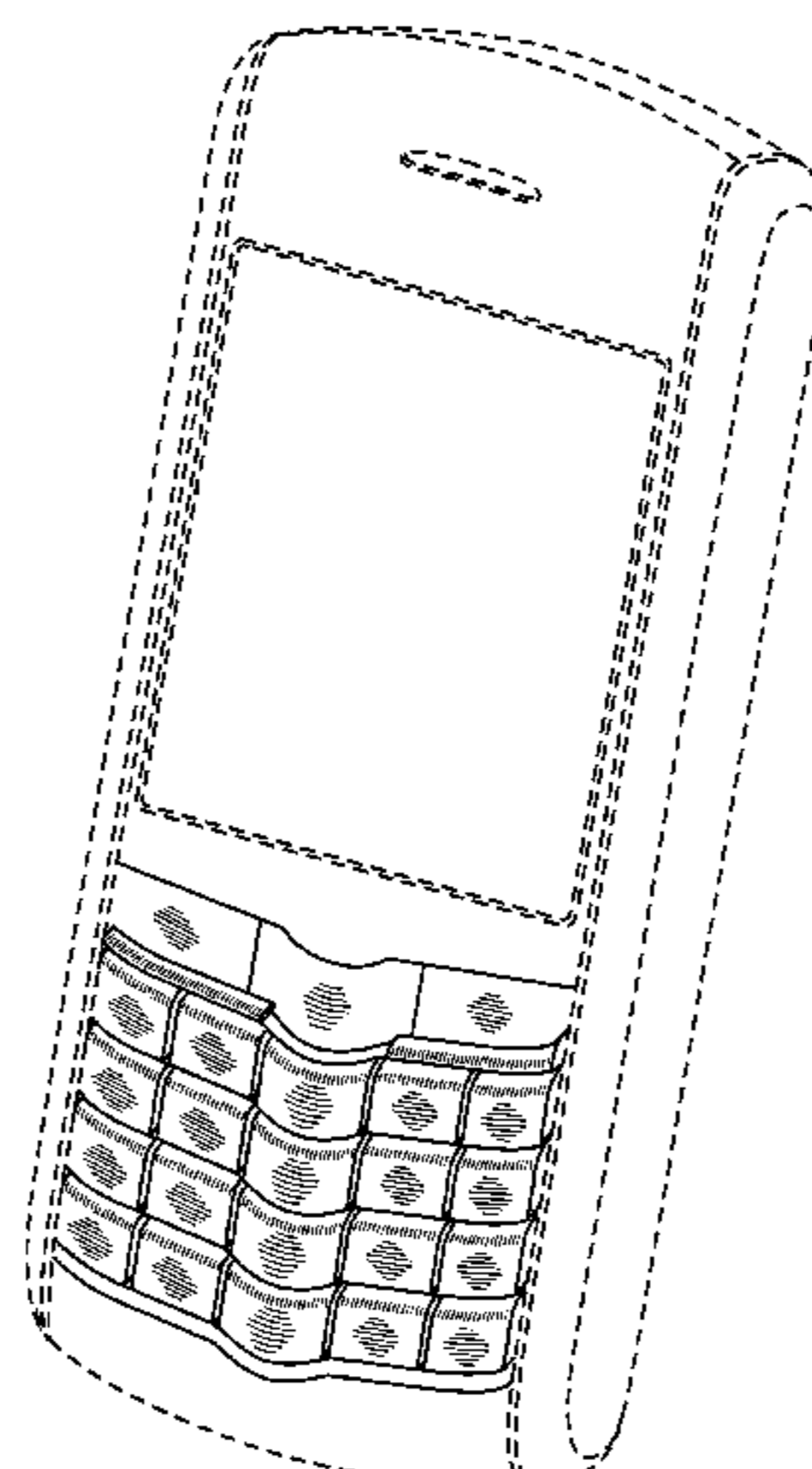
DESCRIPTION

FIG. 1 is a front perspective view of an input pad for a hand-held electronic device; and,

FIG. 2 is a front elevational view thereof.

The portions of the hand-held electronic device shown in broken lines are included for the purpose of illustrating environment and form no part of the claimed design. The broken lines immediately adjacent to the left and right of the input pad form an unclaimed boundary.

1 Claim, 2 Drawing Sheets



US D594,869 S

Page 2

U.S. PATENT DOCUMENTS									
7,203,467	B2	4/2007	Siddiqui	D587,264	S *	2/2009	Griffin et al.	D14/346	
D542,285	S	5/2007	O'Neil et al.	D587,705	S *	3/2009	Rak et al.	D14/346	
D543,190	S	5/2007	Huang et al.	D587,718	S *	3/2009	Griffin	D14/455	
D550,186	S	9/2007	Rak	2004/0233173	A1	11/2004	Bryant		
D550,665	S	9/2007	Griffin et al.	2005/0014537	A1	1/2005	Gammon et al.		
D551,227	S	9/2007	Griffin et al.	2005/0266898	A1	12/2005	Ahn et al.		
D556,175	S	11/2007	Hong et al.	2006/0192764	A1	8/2006	Siddiqui		
D556,207	S	11/2007	Griffin	2006/0279434	A1	12/2006	Wang		
D556,726	S	12/2007	Dai	2007/0188462	A1	8/2007	Lee et al.		
D556,749	S	12/2007	Rak et al.	2007/0191078	A1	8/2007	Kim		
D561,717	S *	2/2008	Park et al.	D14/138 AB	2007/0234208	A1	10/2007	Scott	
D575,281	S *	8/2008	Rak	D14/248	2007/0254698	A1	11/2007	Griffin et al.	
D581,923	S *	12/2008	Griffin et al.	D14/346	2007/0259698	A1	11/2007	Chen et al.	
D581,924	S *	12/2008	Griffin	D14/346	2007/0287391	A1	12/2007	Hofer et al.	
D586,344	S *	2/2009	Rak et al.	D14/346	2008/0020810	A1	1/2008	Park	
D586,804	S *	2/2009	Rak et al.	D14/346	2008/0032637	A1	2/2008	Ladouceur et al.	
D587,263	S *	2/2009	Rak et al.	D14/346	2008/0055253	A1 *	3/2008	Moosavi et al.	345/169
					2008/0070644	A1 *	3/2008	Park et al.	455/575.3

* cited by examiner

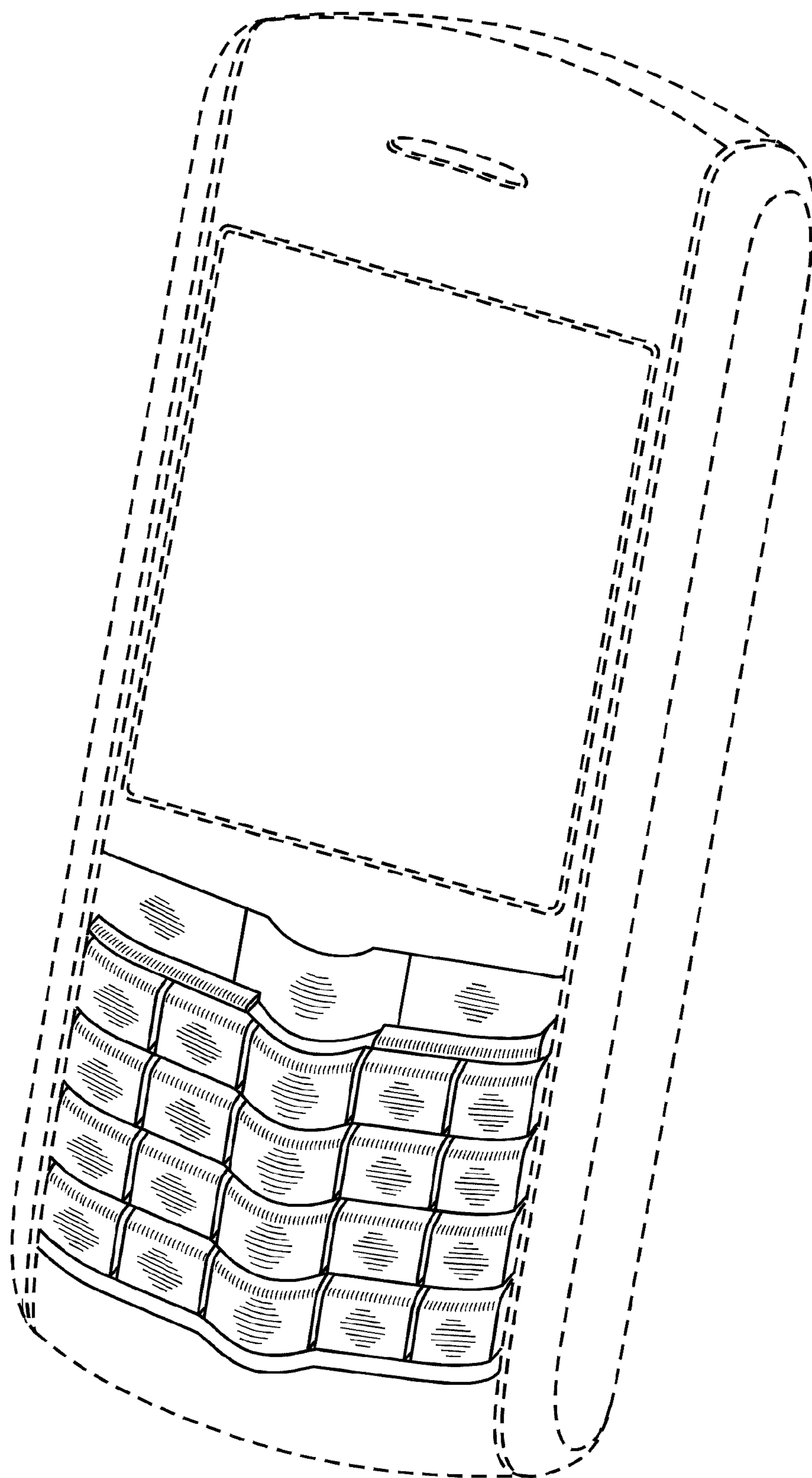


FIG. 1

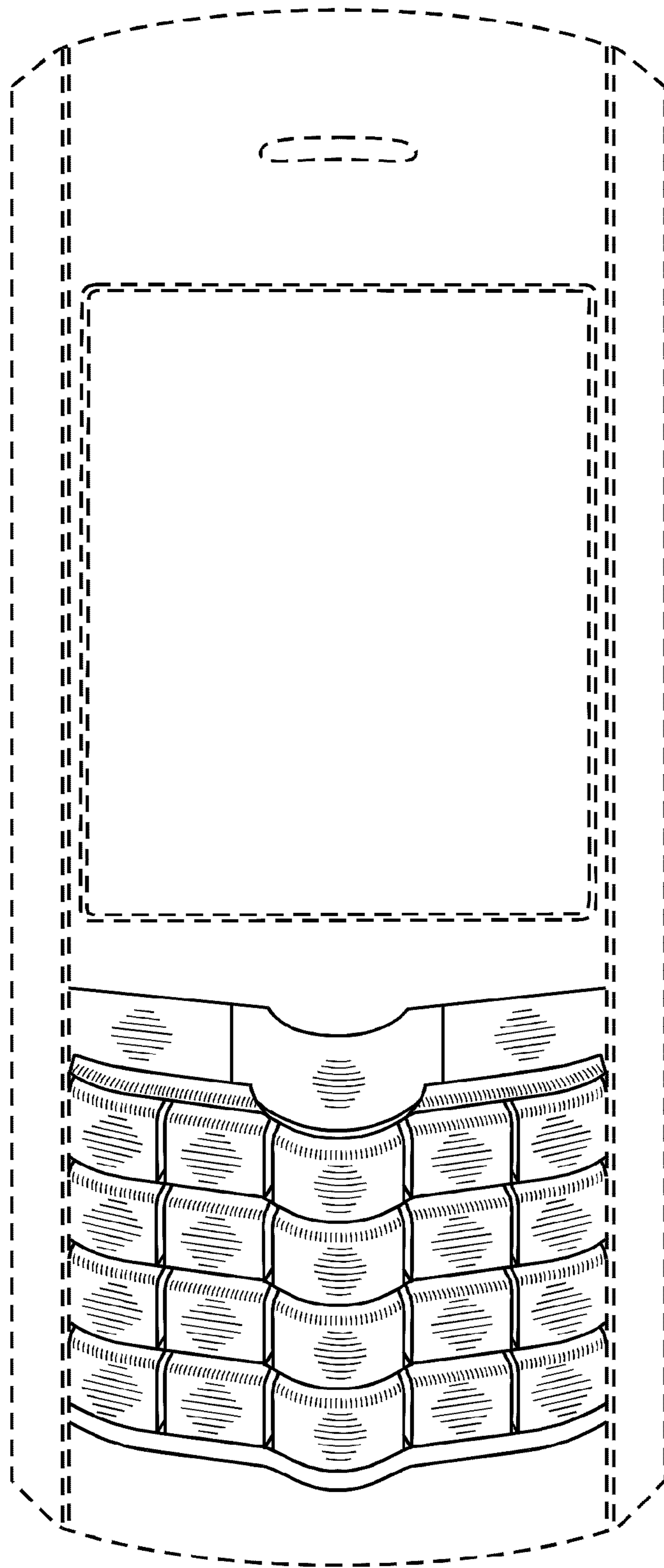


FIG. 2