

US00D594867S

(12) **United States Design Patent**  
**Dallmeier**

(10) **Patent No.:** **US D594,867 S**

(45) **Date of Patent:** **\*\* Jun. 23, 2009**

(54) **KEYBOARD**

(75) Inventor: **Dieter Dallmeier**, Pettendorf (DE)

(73) Assignee: **Dallmeier Electronic GmbH & Co., KG**, Regensburg (DE)

(\*\*) Term: **14 Years**

(21) Appl. No.: **29/281,334**

(22) Filed: **Jun. 20, 2007**

(30) **Foreign Application Priority Data**

Dec. 22, 2006 (EM) ..... 000642509-0001  
Dec. 22, 2006 (EM) ..... 000642509-0002

(51) **LOC (9) Cl.** ..... **14-02**

(52) **U.S. Cl.** ..... **D14/398**

(58) **Field of Classification Search** ..... D14/391-399,  
D14/333, 217; D18/1, 2, 7; 235/145 A, 145 R;  
200/5 A, 5 R, 6 A, 6 R; 178/17 A, 17 C;  
345/160, 167, 168; 341/22, 23; 400/484-486,  
400/488, 489, 492; D16/237  
See application file for complete search history.

(56) **References Cited**

**U.S. PATENT DOCUMENTS**

D324,035 S \* 2/1992 Izaki ..... D14/320  
D324,104 S \* 2/1992 Cecil et al. .... D24/158  
D360,193 S \* 7/1995 Franzen ..... D14/331  
5,438,331 A \* 8/1995 Gilligan et al. .... 341/35  
D372,478 S \* 8/1996 Ricotta et al. .... D14/217  
D385,854 S \* 11/1997 Sumii ..... D14/399  
D411,530 S \* 6/1999 Carter et al. .... D14/400  
D448,378 S \* 9/2001 Arnold et al. .... D14/396

D486,496 S \* 2/2004 Cookson ..... D14/455  
D488,032 S \* 4/2004 Best et al. .... D7/686  
D488,467 S \* 4/2004 Chiang ..... D14/314  
6,876,312 B2 \* 4/2005 Yu ..... 341/20  
D518,082 S \* 3/2006 Muto ..... D16/237  
D523,146 S \* 6/2006 Ogiwara ..... D24/158  
D553,620 S \* 10/2007 Schroeder ..... D14/402  
D554,258 S \* 10/2007 Ogiwara ..... D24/158  
2005/0140654 A1 \* 6/2005 Chen ..... 345/168

\* cited by examiner

*Primary Examiner*—Freda S Nunn

(74) *Attorney, Agent, or Firm*—O'Melveny & Myers LLP

(57) **CLAIM**

The ornamental design for a keyboard, as shown and described.

**DESCRIPTION**

FIG. 1 is a top, front, left perspective view of the keyboard showing my new design;

FIG. 2 is a top plan view thereof;

FIG. 3 is a front elevational view thereof;

FIG. 4 is a rear elevational view thereof;

FIG. 5 is a left-side elevational view thereof;

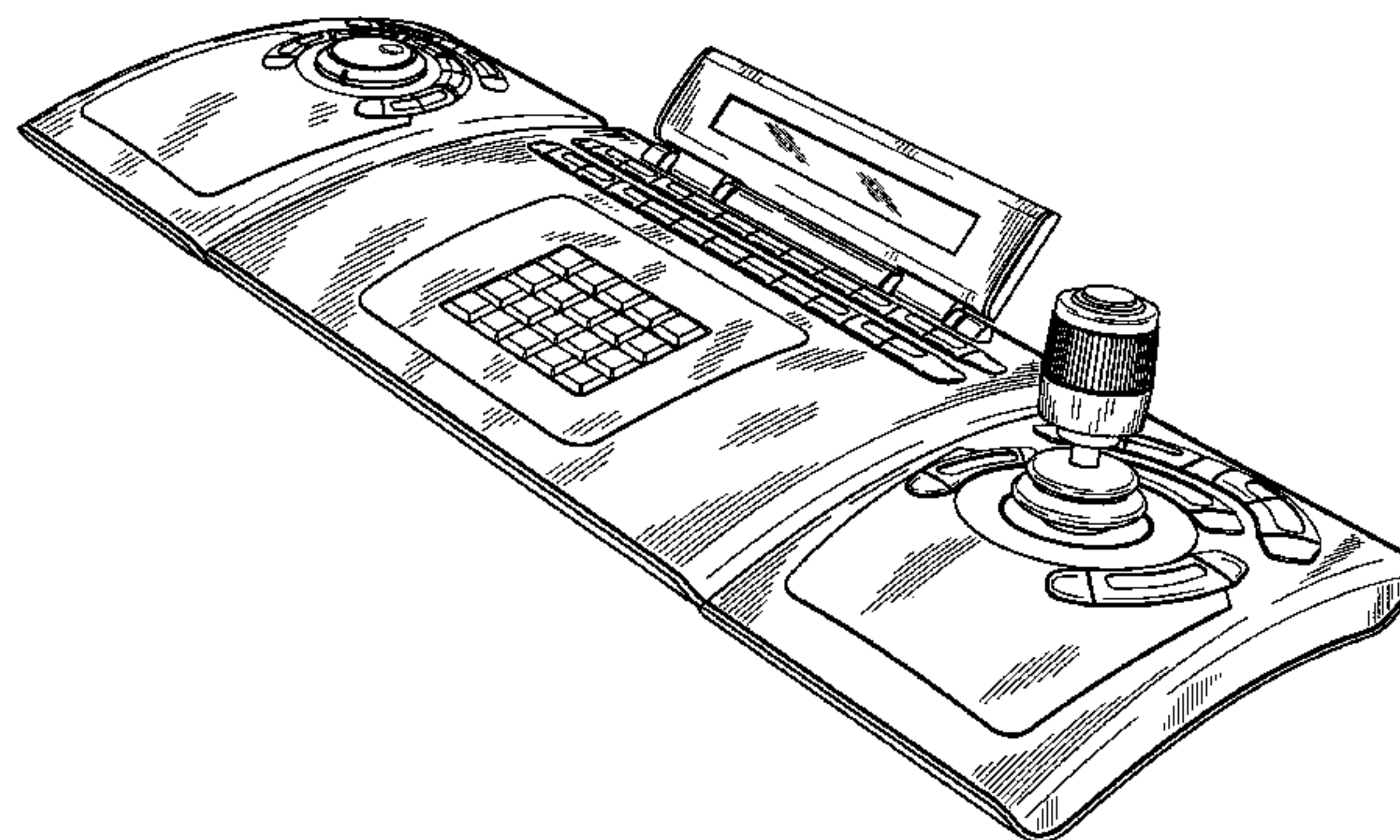
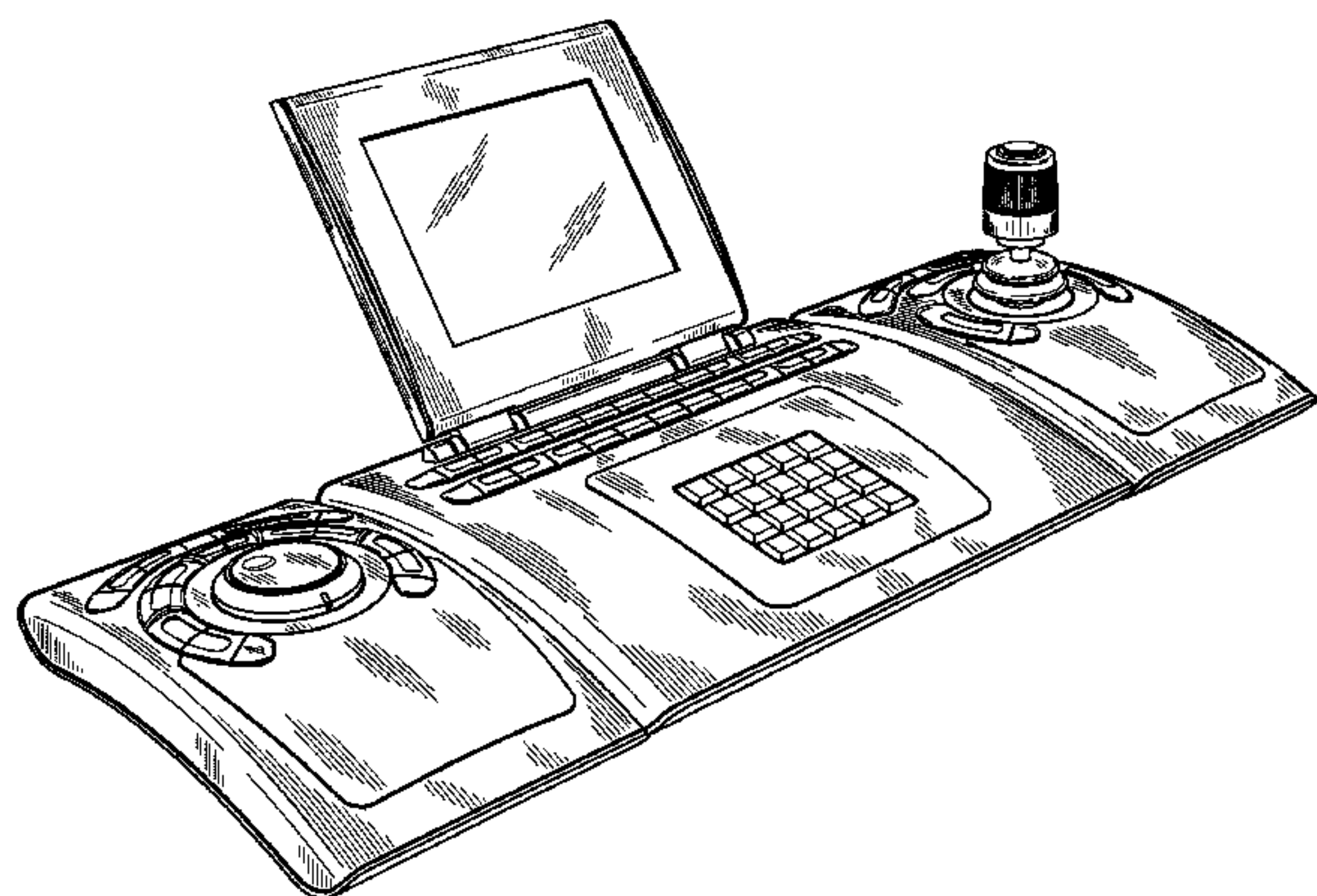
FIG. 6 is a right-side elevational view thereof;

FIG. 7 is a bottom plan view thereof;

FIG. 8 is a top, front, left perspective view of another embodiment of the keyboard; and,

FIG. 9 is a top, front, right perspective view of the embodiment of FIG. 8.

**1 Claim, 8 Drawing Sheets**



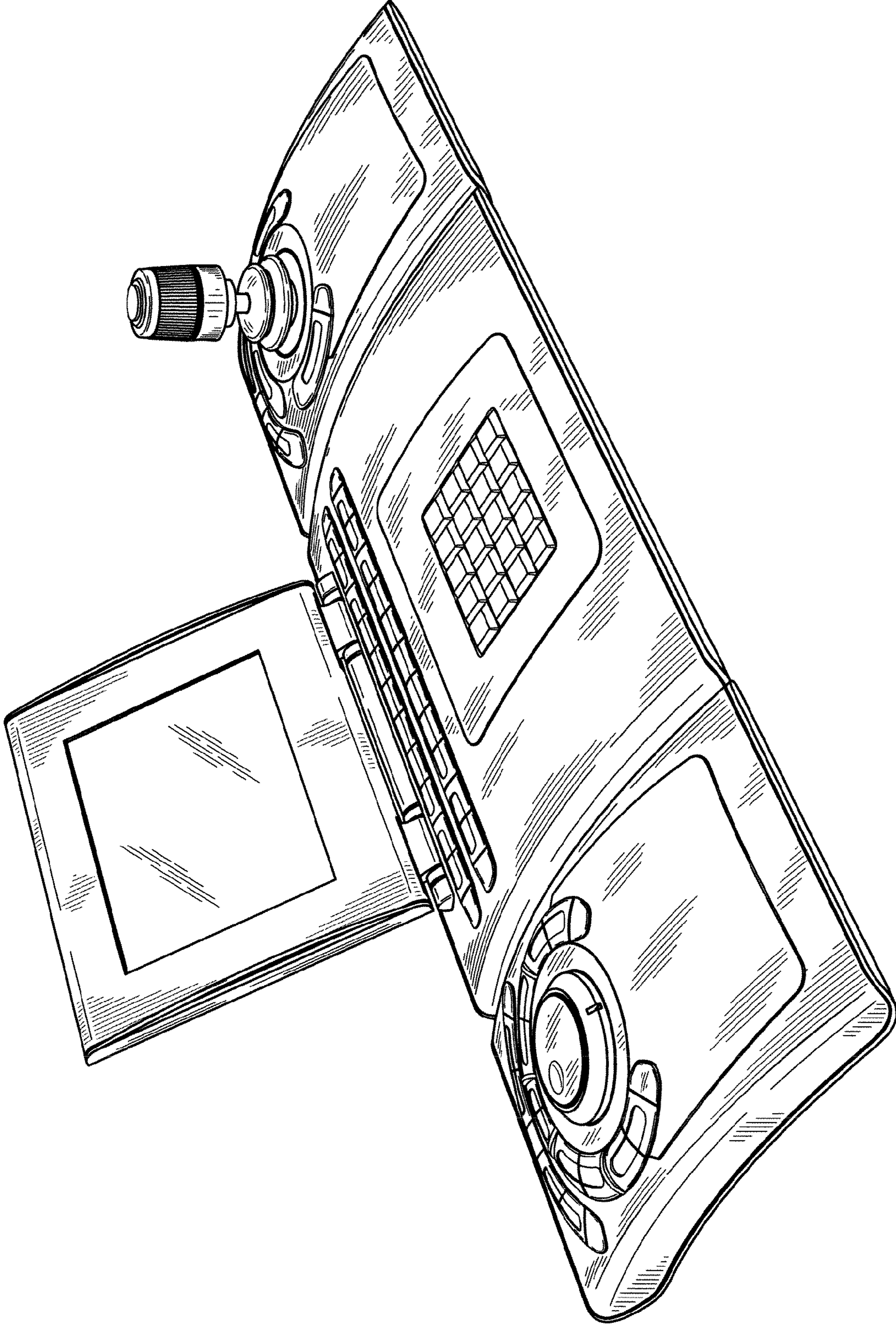


FIG. 1



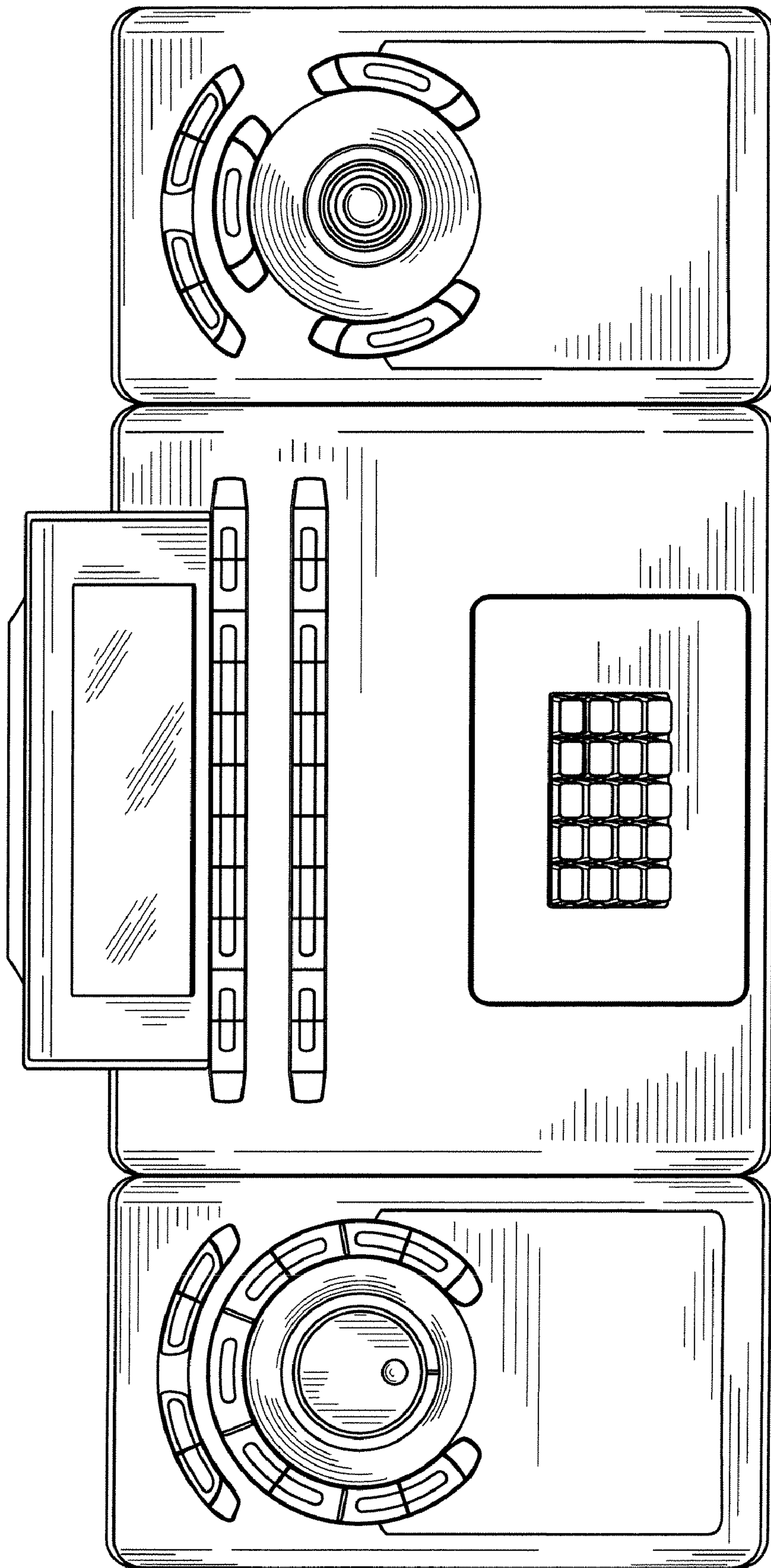


FIG. 2

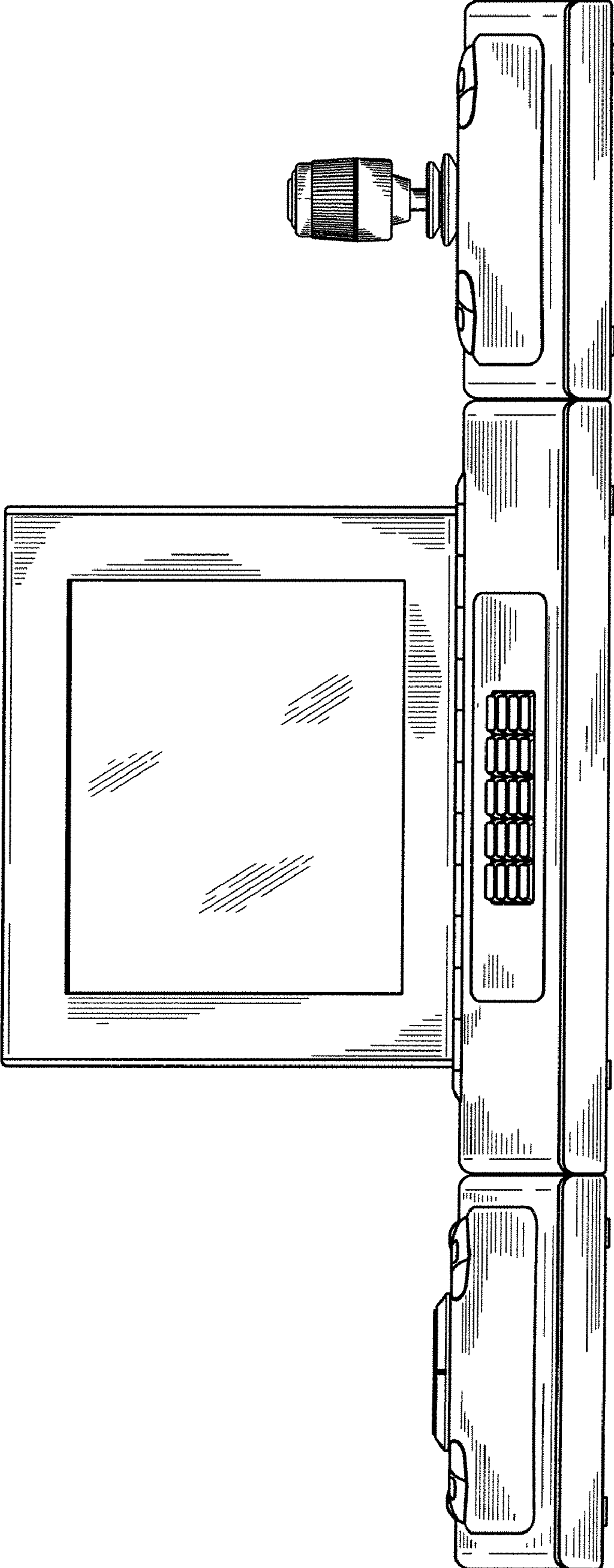


FIG. 3

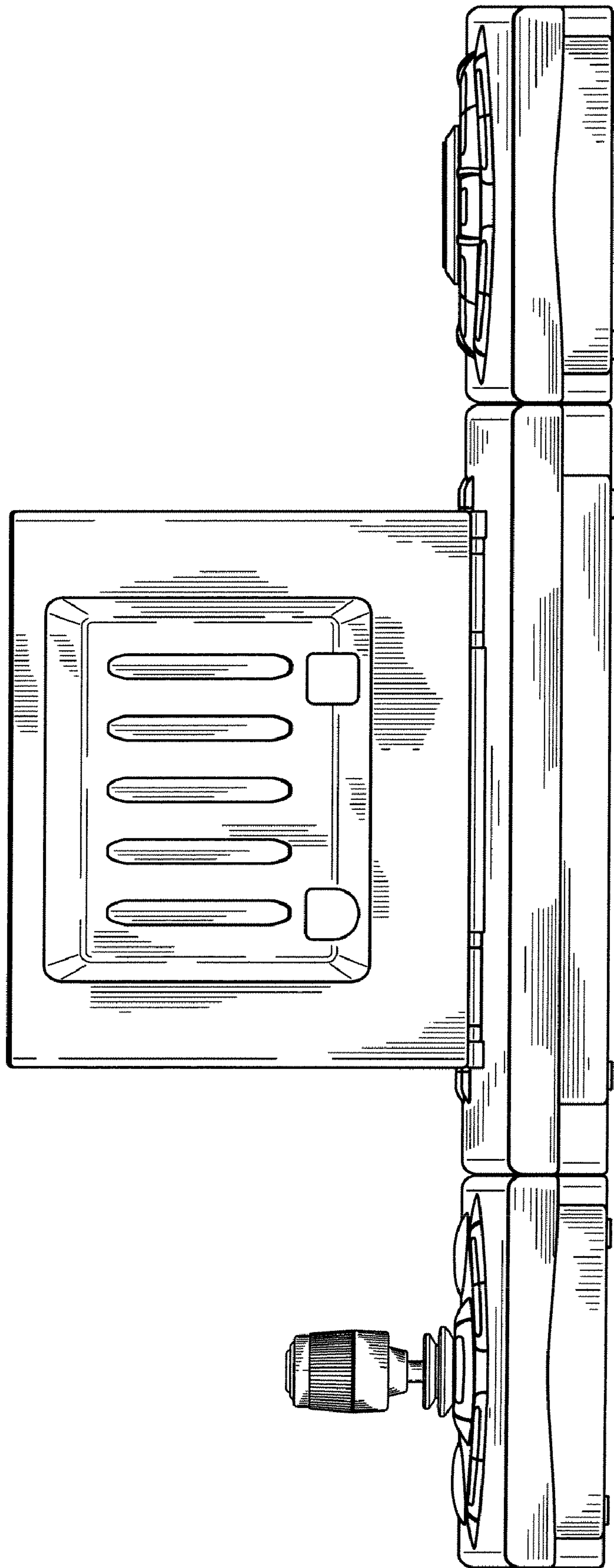


FIG. 4



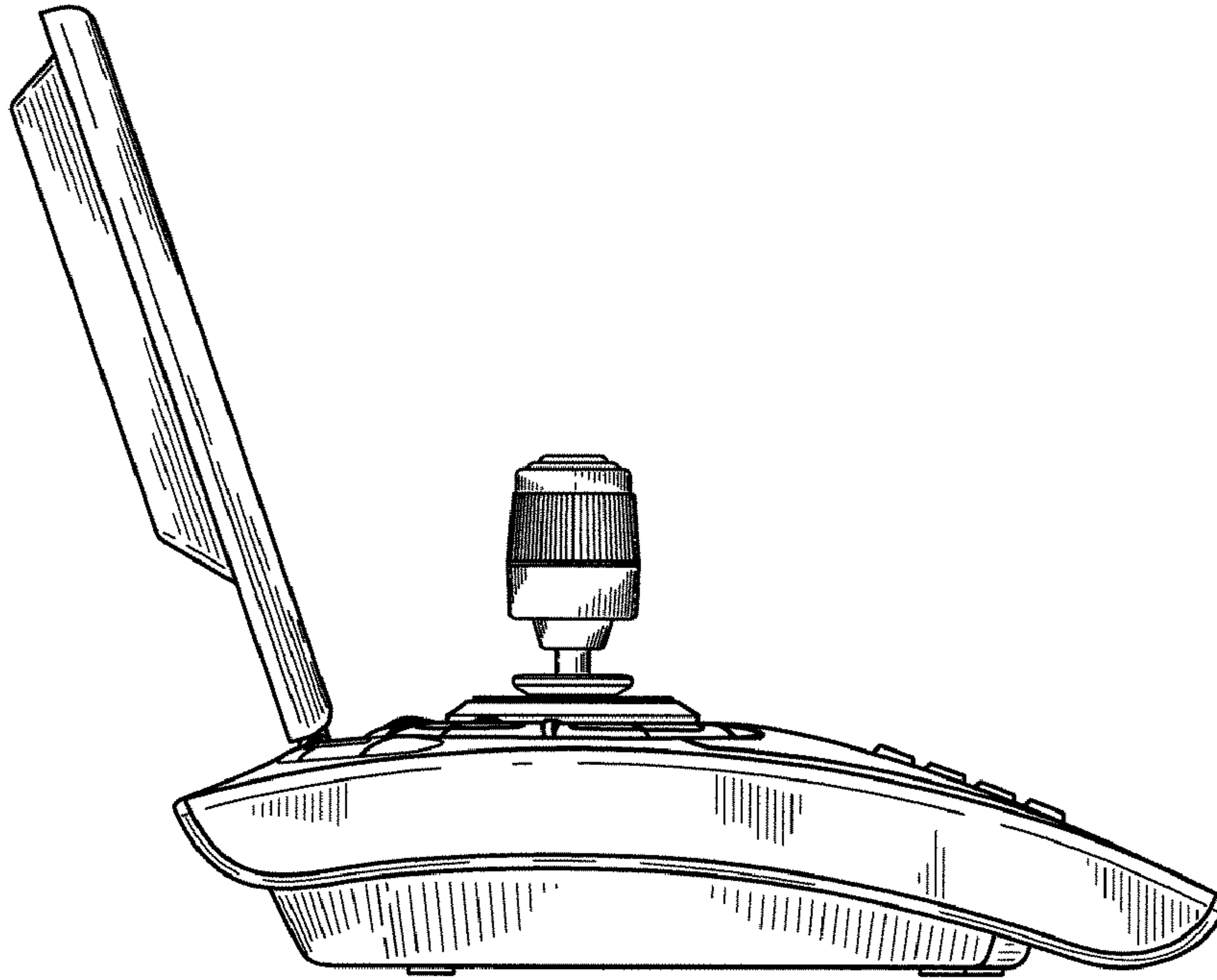


FIG. 5

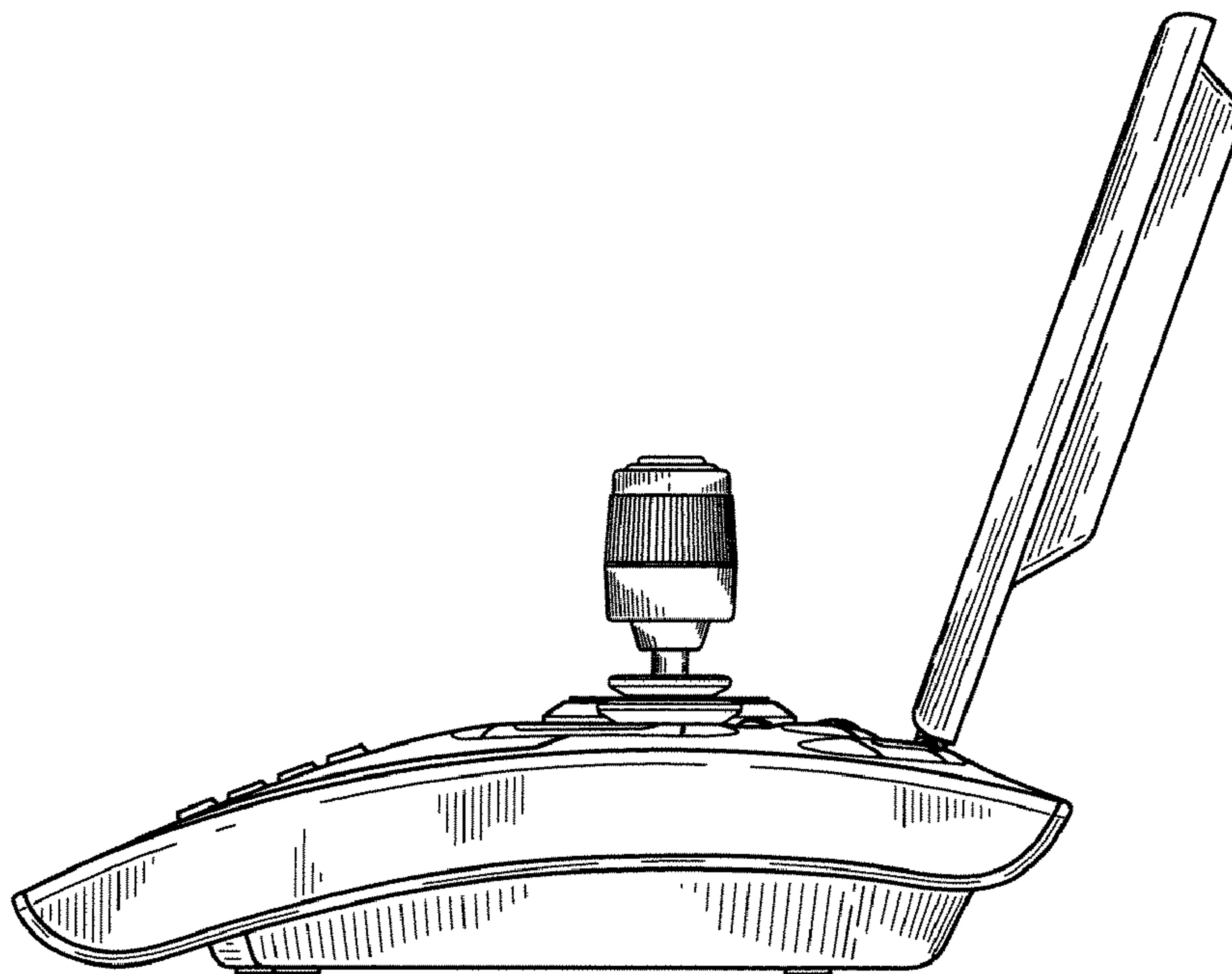


FIG. 6

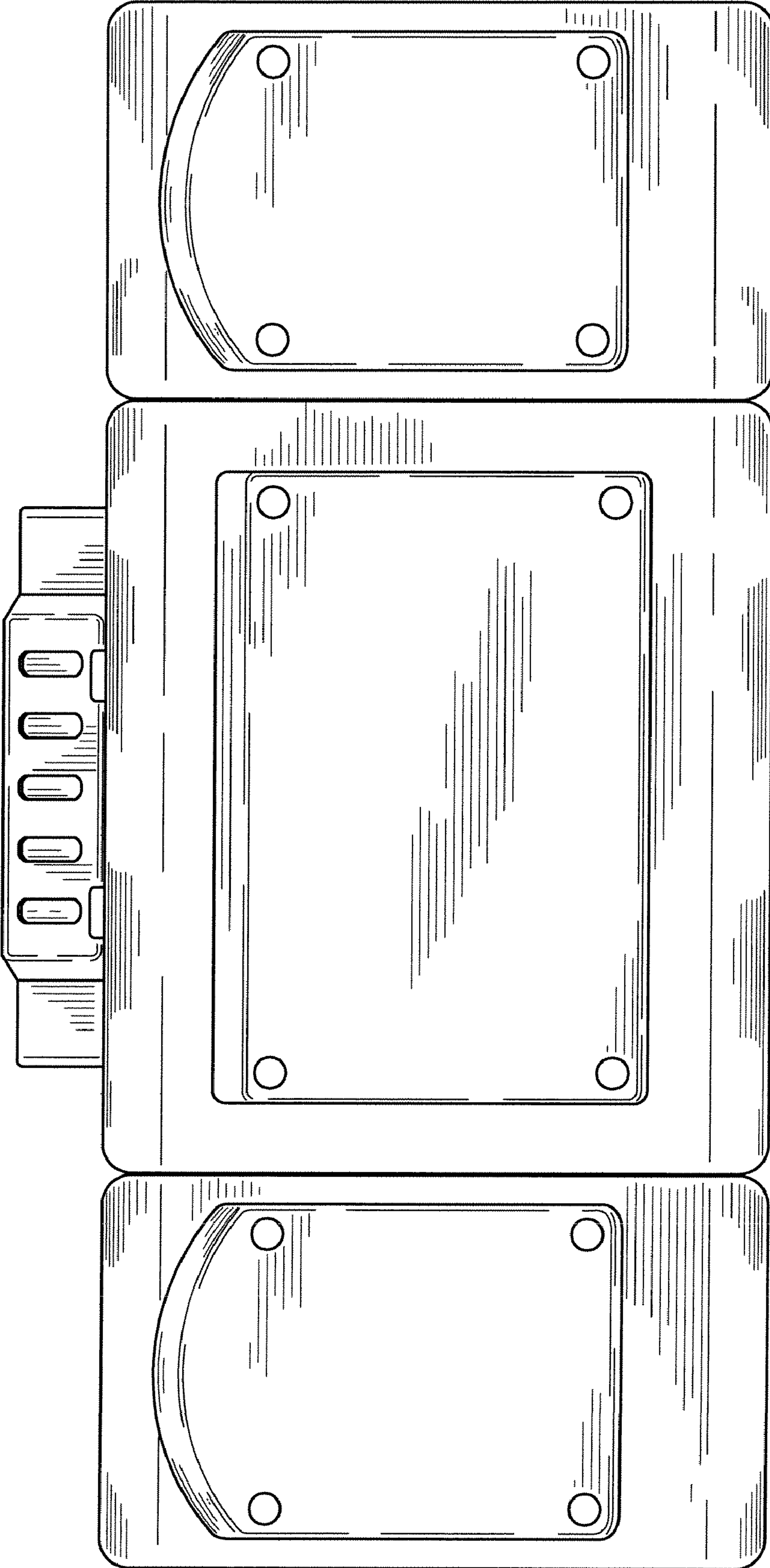


FIG. 7

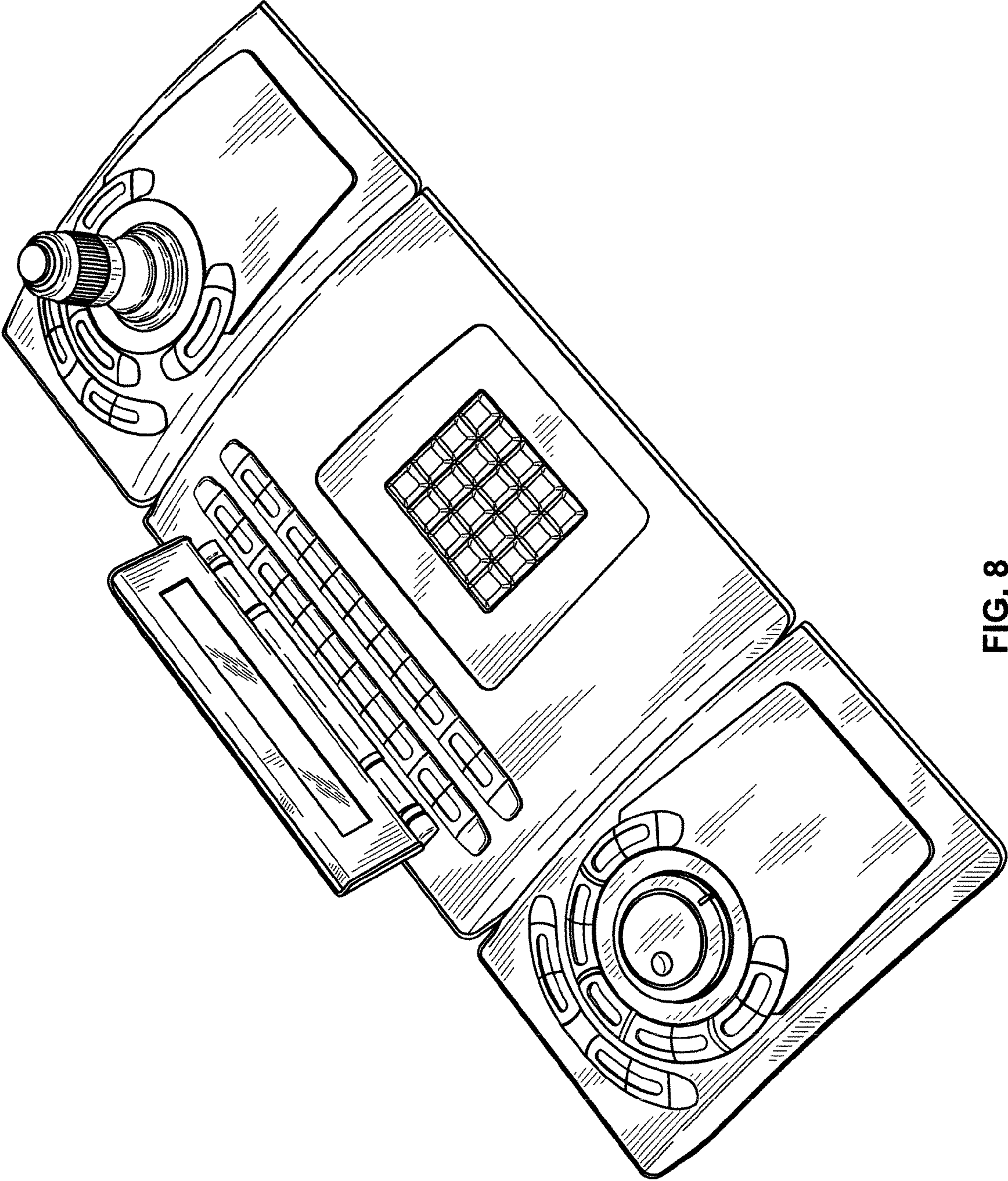


FIG. 8



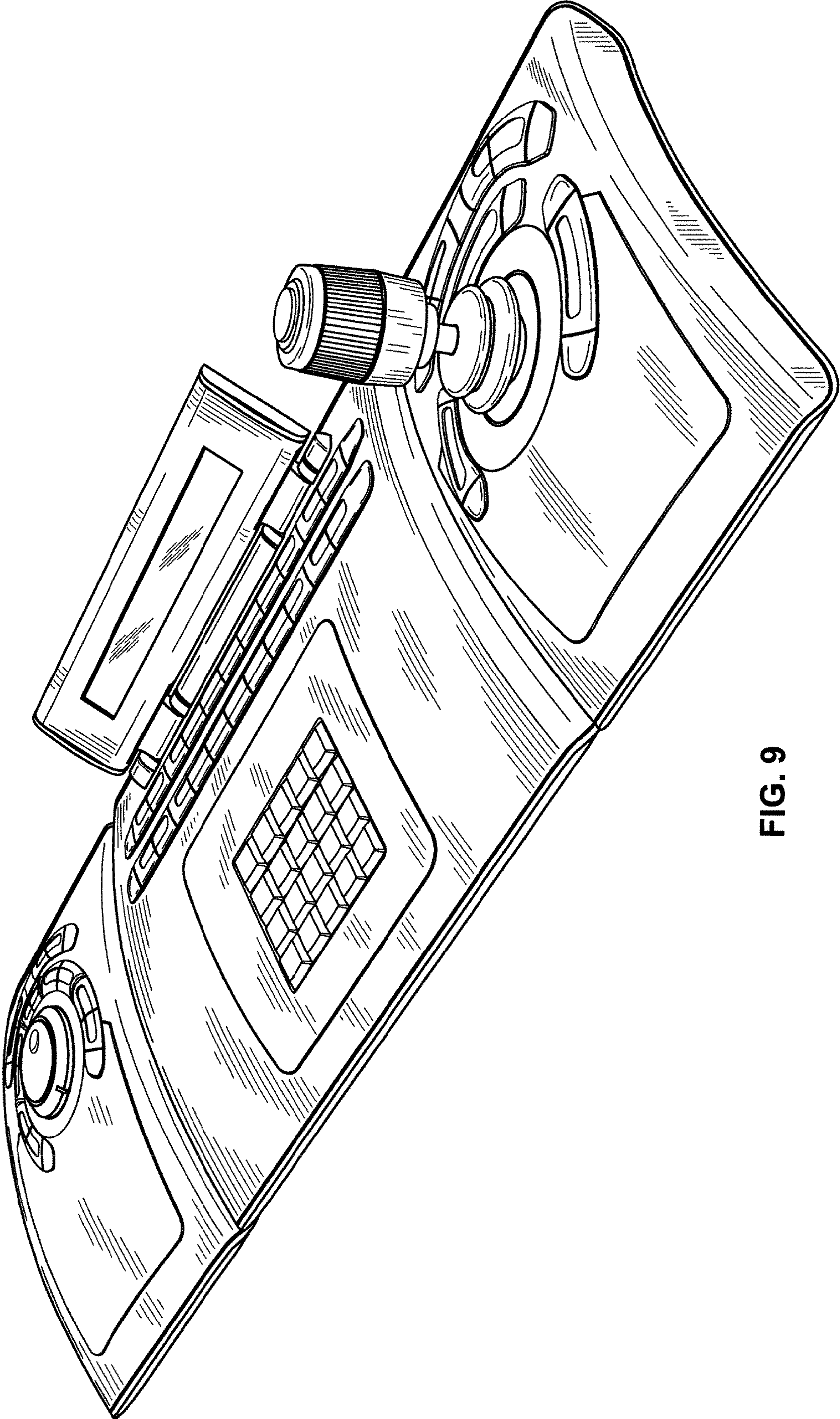


FIG. 9