



US00D594864S

(12) **United States Design Patent**
Song

(10) **Patent No.:** **US D594,864 S**

(45) **Date of Patent:** **** Jun. 23, 2009**

(54) **NETWORK TERMINAL**

(75) Inventor: **Young Gil Song**, Palo Alto, CA (US)

(73) Assignee: **nComputing Inc.**, Redwood City, CA (US)

(**) Term: **14 Years**

(21) Appl. No.: **29/317,891**

(22) Filed: **May 8, 2008**

(51) **LOC (9) Cl.** **14-02**

(52) **U.S. Cl.** **D14/358**

(58) **Field of Classification Search** D14/356,
D14/358, 432, 137, 138, 140, 155, 188, 217,
D14/240, 299, 191; D13/110, 184; 439/488,
439/490, 901; 379/1.03, 38, 39, 42, 67.1,
379/88.17, 90.01, 93.01, 93.17, 142.07, 219,
379/220.01, 221.14, 221.15, 387.01, 397,
379/399.01, 419, 428.01, 457; 455/3.01,
455/3.05, 3.06, 426.1, 500, 73, 74, 556.1,
455/561, 575.1, 89, 91, 95, 130, 132, 344,
455/347, 899, FOR. 254

See application file for complete search history.

(56) **References Cited**

U.S. PATENT DOCUMENTS

D372,248 S * 7/1996 Tahmassebpur D14/358
D380,199 S * 6/1997 Beruscha et al. D13/184
6,041,956 A * 3/2000 Kao D14/358

6,085,925 A * 7/2000 Chung D14/358
D480,390 S * 10/2003 Miao et al. D14/140
D485,551 S * 1/2004 Mikkola et al. D14/140
D521,001 S * 5/2006 Xiao et al. D14/356
D529,904 S * 10/2006 Yeo D14/140
D540,793 S * 4/2007 Kim et al. D14/358

* cited by examiner

Primary Examiner—Brian N Vinson

(74) *Attorney, Agent, or Firm*—Schwegman, Lundberg & Woessner, P.A.

(57) **CLAIM**

I claim the ornamental design for a network terminal, as shown and described.

DESCRIPTION

FIG. 1 is a top, right, and front perspective view of a network terminal showing my new design;

FIG. 2 is a top plan view thereof;

FIG. 3 is a bottom plan view thereof;

FIG. 4 is a front view thereof;

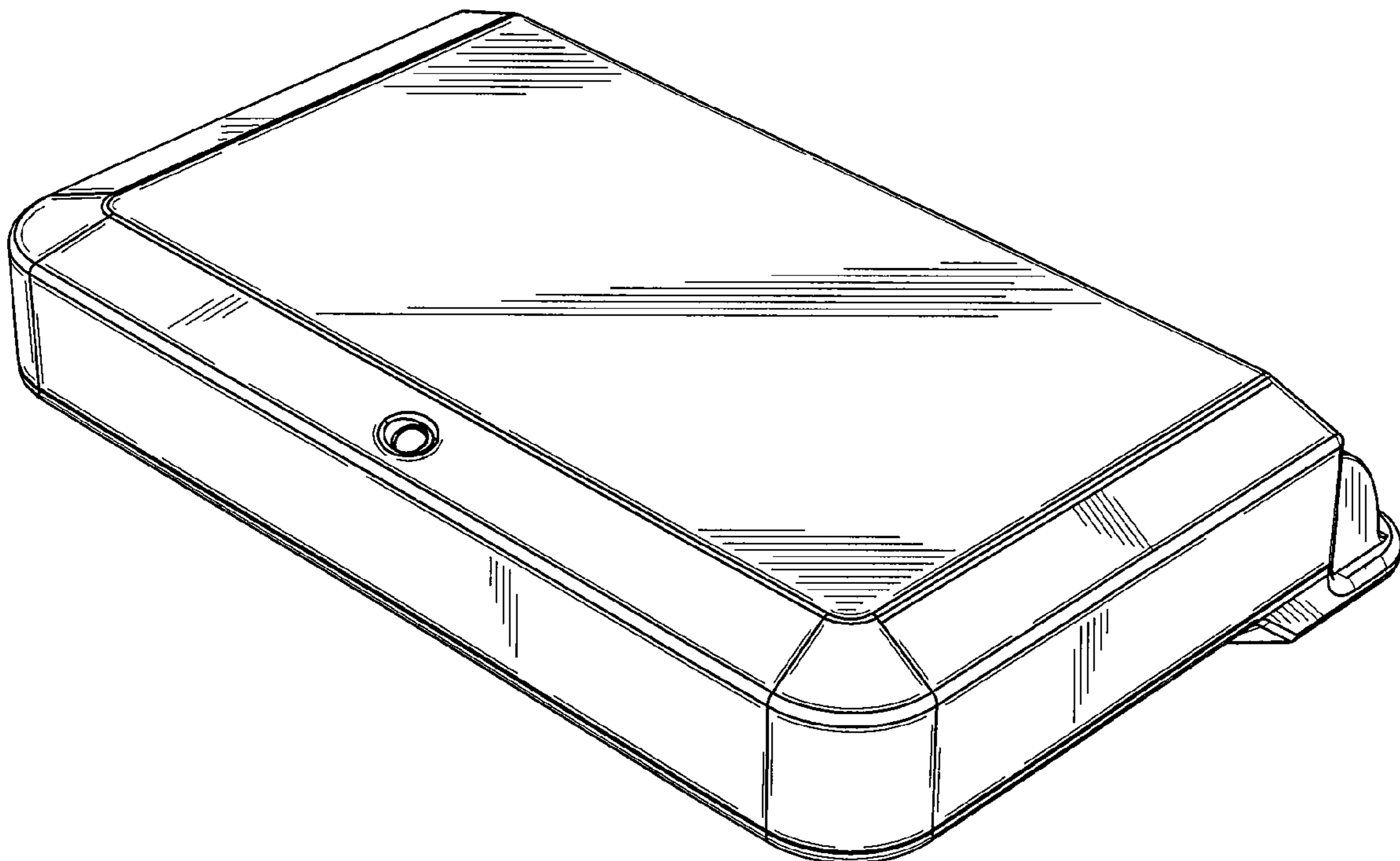
FIG. 5 is a rear view thereof;

FIG. 6 is a left side view thereof; and,

FIG. 7 is a right side view thereof.

The broken line showings in FIGS. 2, 3 and 5 are included for the purpose of illustrating environment and form no part of the claimed design.

1 Claim, 5 Drawing Sheets



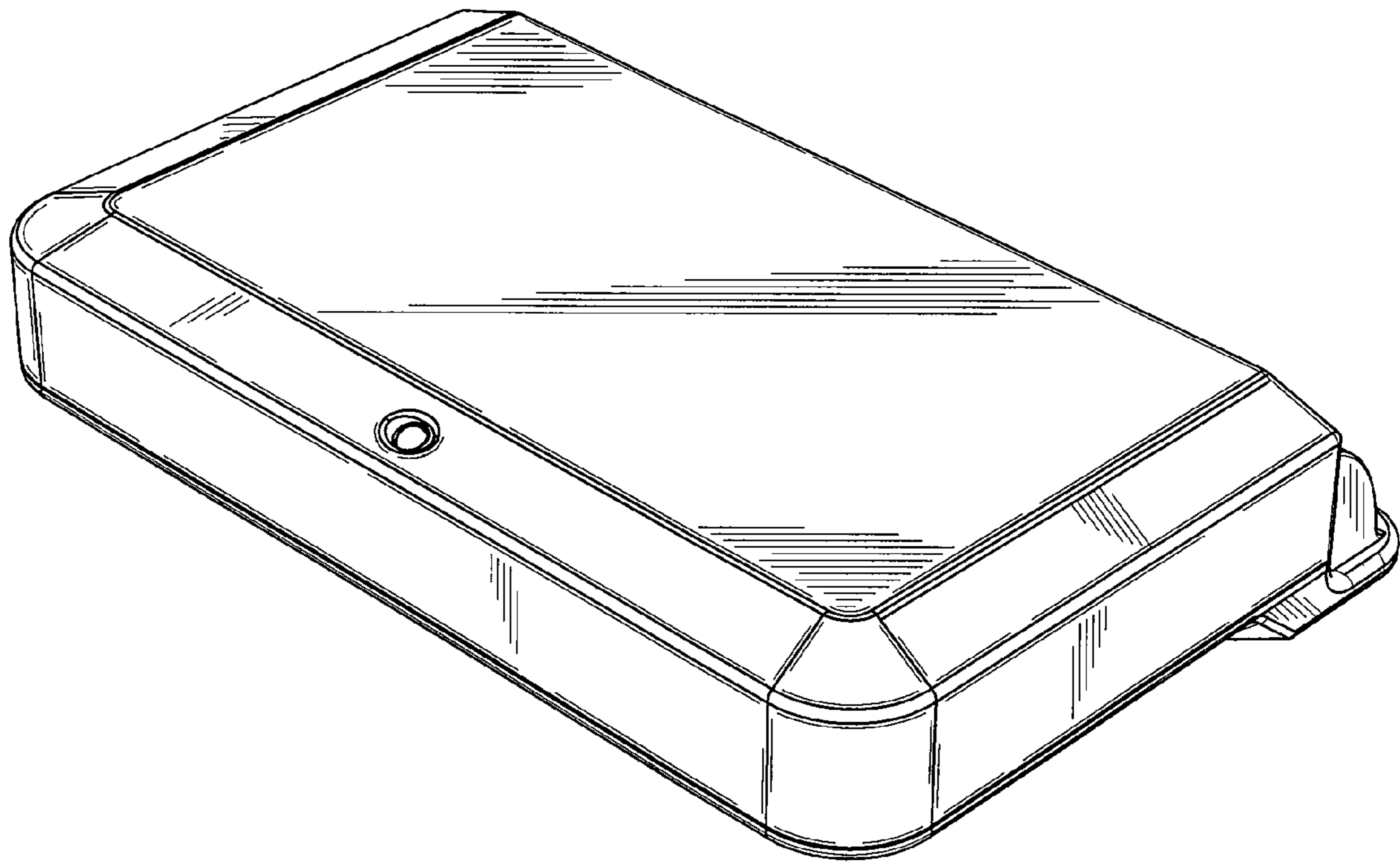


FIG. 1

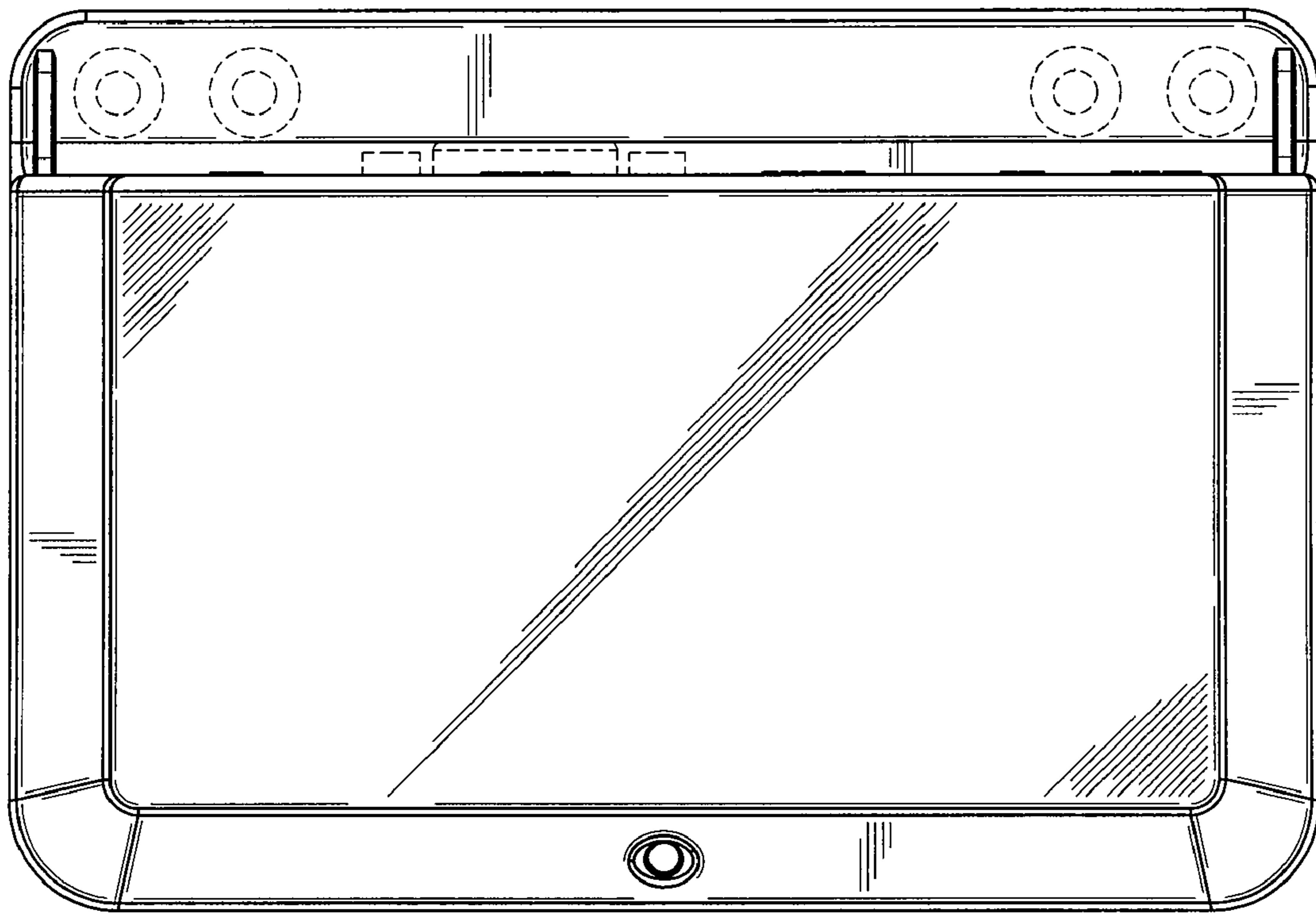


FIG. 2

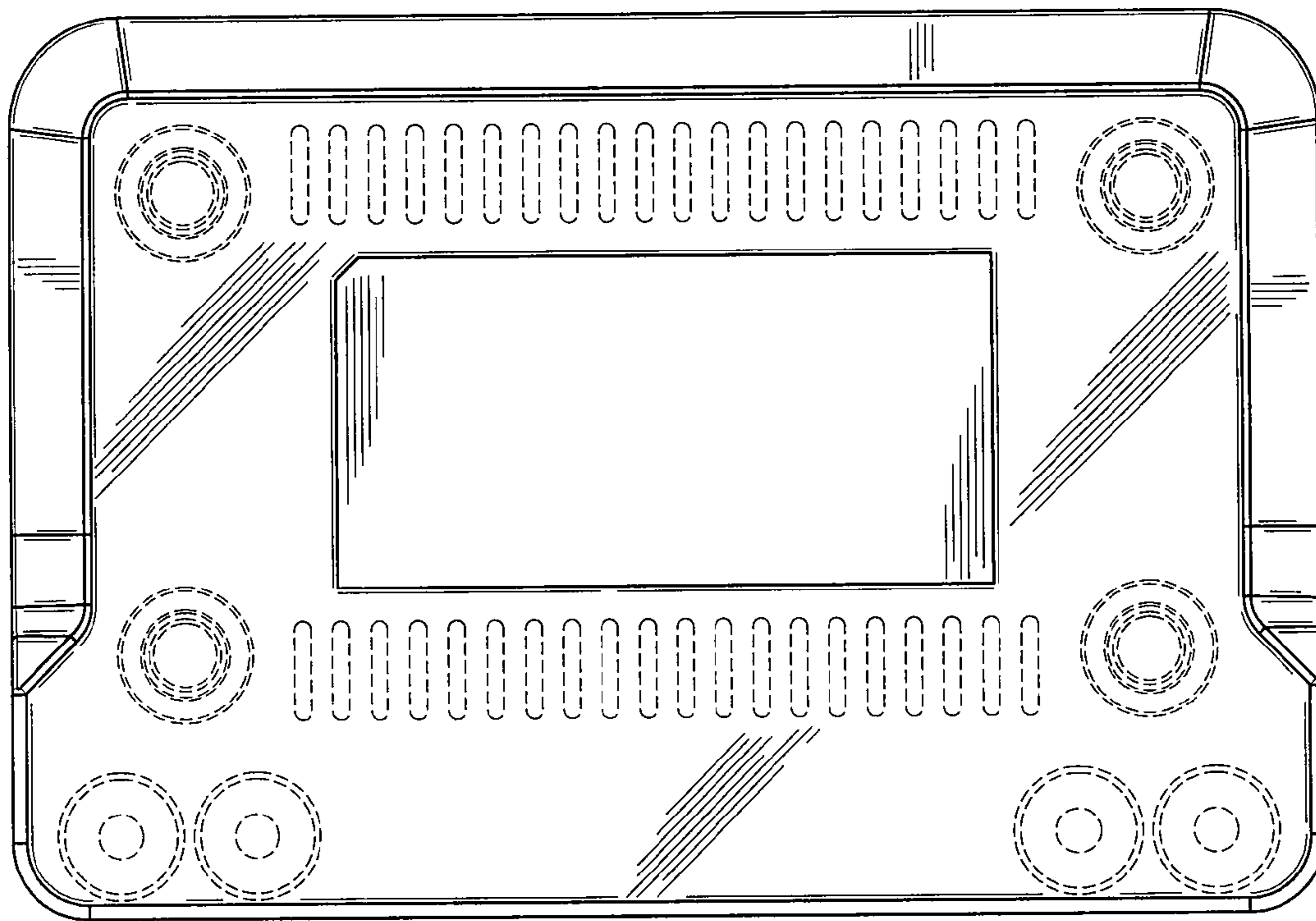


FIG. 3

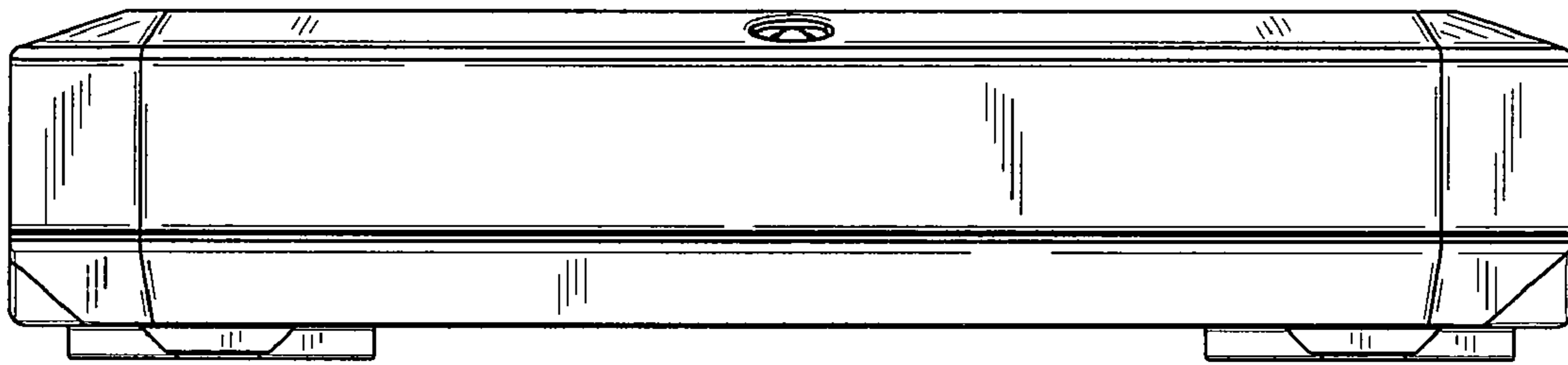


FIG. 4

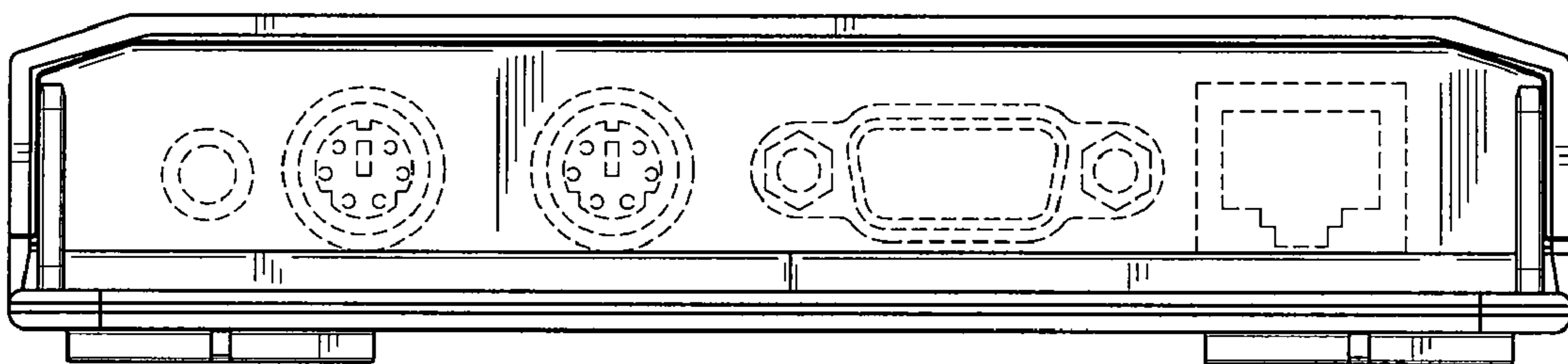


FIG. 5

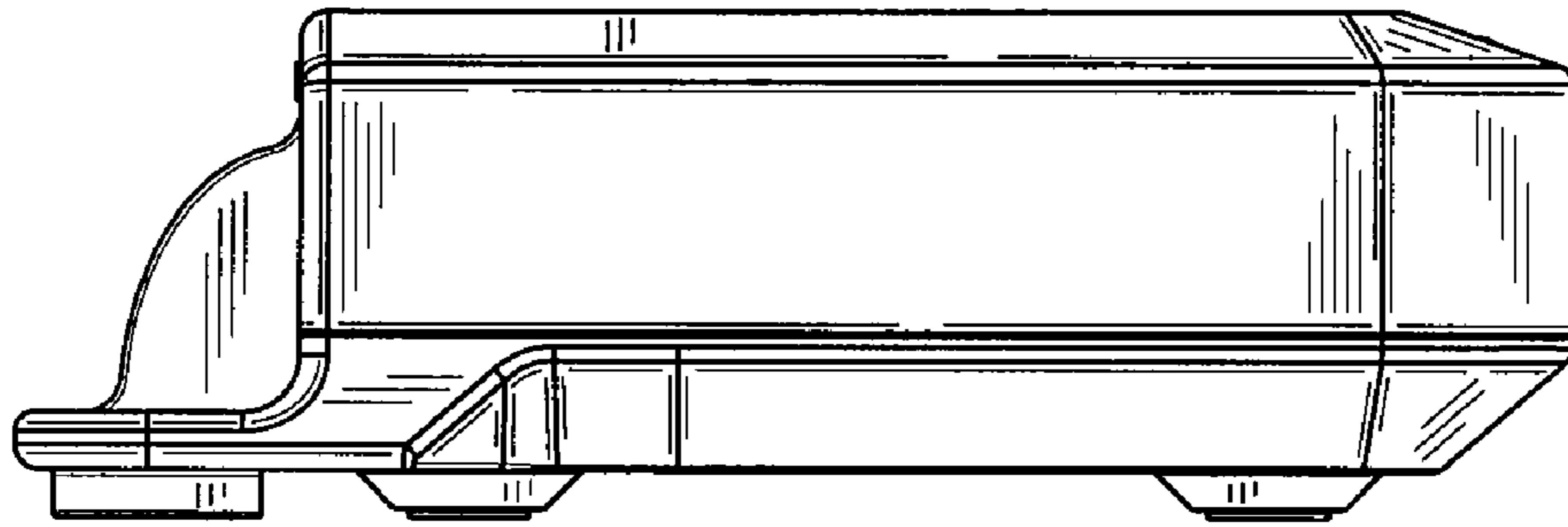


FIG. 6

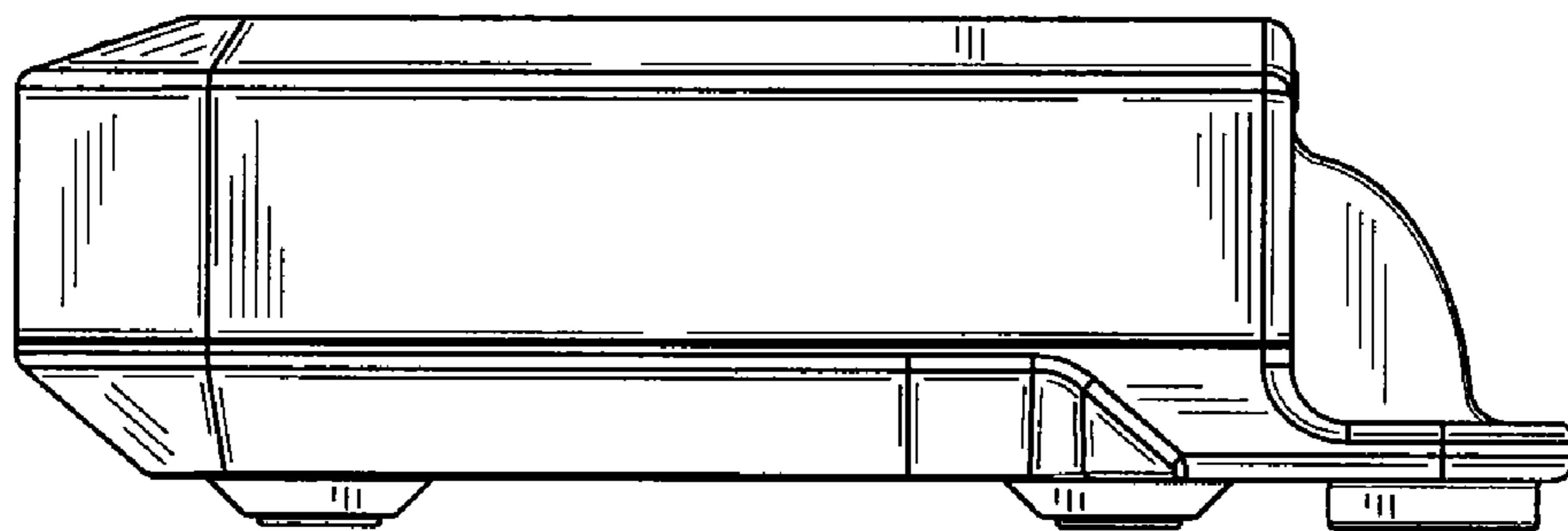


FIG. 7