



US00D594856S

(12) **United States Design Patent**
Marshall

(10) **Patent No.:** **US D594,856 S**

(45) **Date of Patent:** **** Jun. 23, 2009**

(54) **MICROPHONE**

(76) Inventor: **Leonard Marshall**, 1910 E. Maple Ave.,
El Segundo, CA (US) 90245

(**) Term: **14 Years**

(21) Appl. No.: **29/309,708**

(22) Filed: **Sep. 29, 2008**

(51) **LOC (9) Cl.** **14-01**

(52) **U.S. Cl.** **D14/228**

(58) **Field of Classification Search** D14/225,
D14/226, 227, 228, 229, 497, 195, 196; D21/405;
D17/99; 84/462; 181/158, 242; 381/26,
381/91, 92, 95, 111, 174, 122, 369, 357,
381/354, 345

See application file for complete search history.

(56) **References Cited**

U.S. PATENT DOCUMENTS

2,870,856	A *	1/1959	Olson et al.	181/242
3,383,476	A *	5/1968	Morgan	381/357
D218,315	S *	8/1970	Rusch	D14/228
D295,759	S *	5/1988	Kolich	D17/99
D296,435	S *	6/1988	Kubota	D14/228
D317,472	S *	6/1991	Sasaki et al.	D21/405

5,357,577	A *	10/1994	Waji et al.	381/122
D376,803	S *	12/1996	Lee	D14/497
6,061,457	A *	5/2000	Stockhamer	381/111
D447,131	S *	8/2001	Hough et al.	D14/228
D479,227	S *	9/2003	Marshall	D14/228

* cited by examiner

Primary Examiner—Paula Greene

(74) *Attorney, Agent, or Firm*—Welsh & Flaxman LLC

(57) **CLAIM**

The ornamental design for a microphone, as shown and described.

DESCRIPTION

FIG. 1 is a perspective view of a microphone showing my new design.

FIG. 2 is a front view thereof.

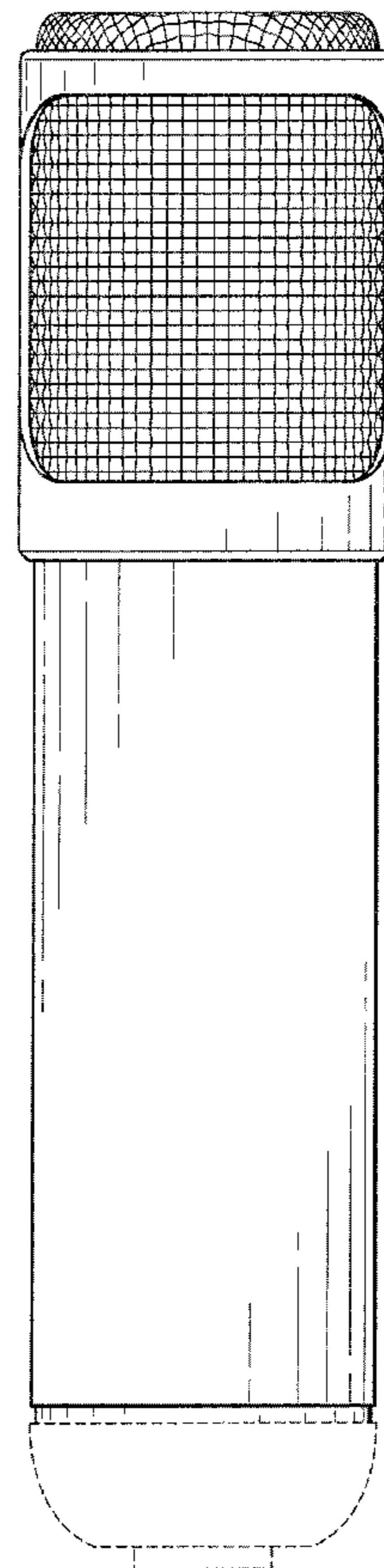
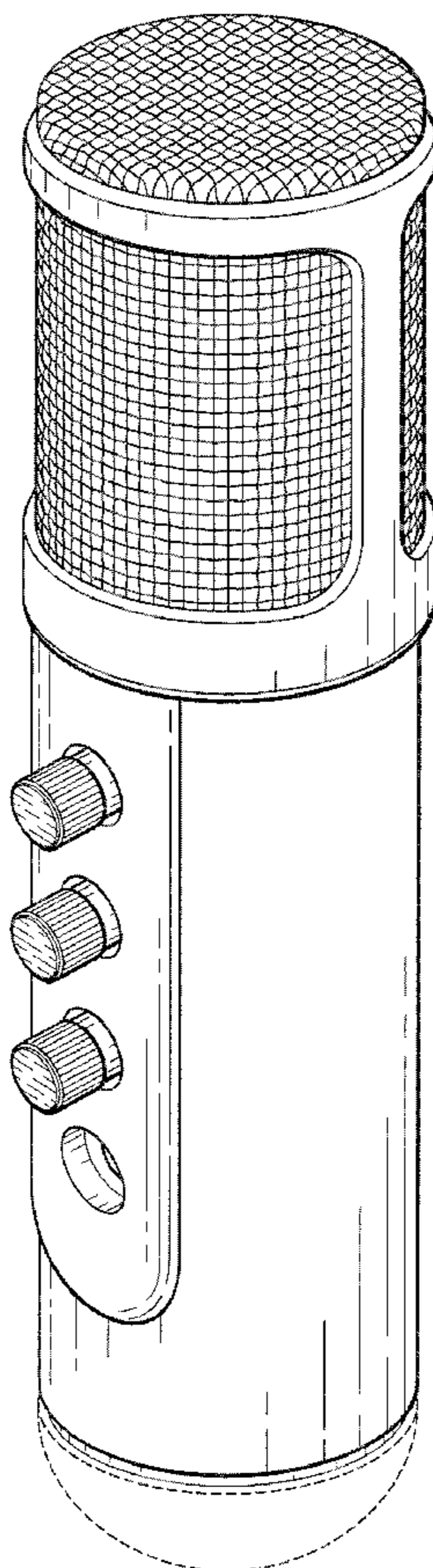
FIG. 3 is a rear view thereof.

FIG. 4 is a side elevational view thereof, the opposite side is a mirror image; and,

FIG. 5 is a top plan view thereof, the bottom is not part of the claimed design.

The broken lines form no part of the claimed design.

1 Claim, 4 Drawing Sheets



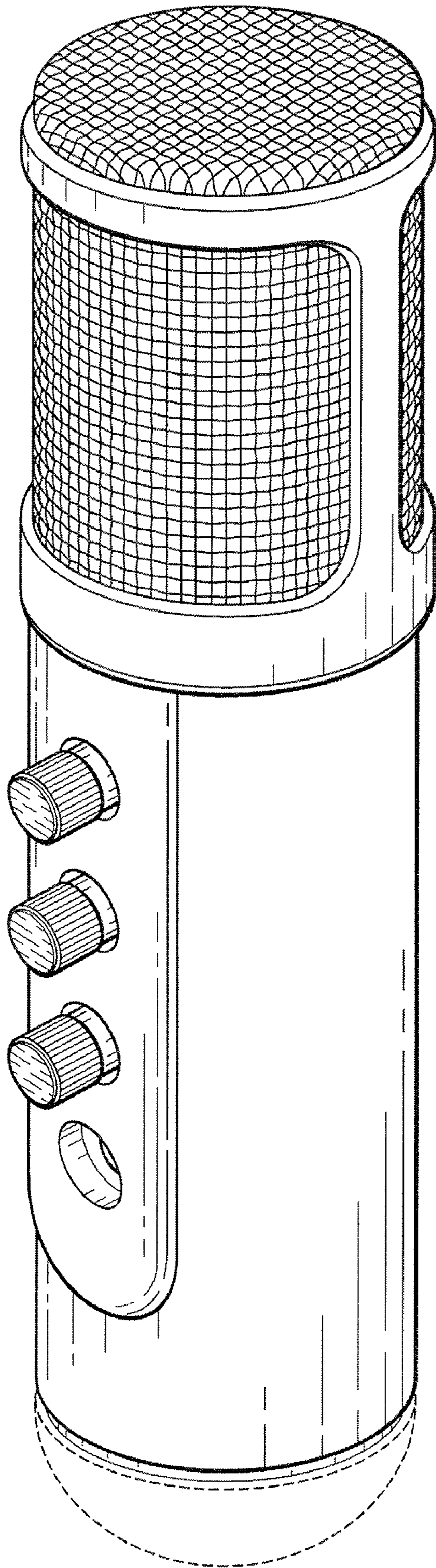


FIG. 1

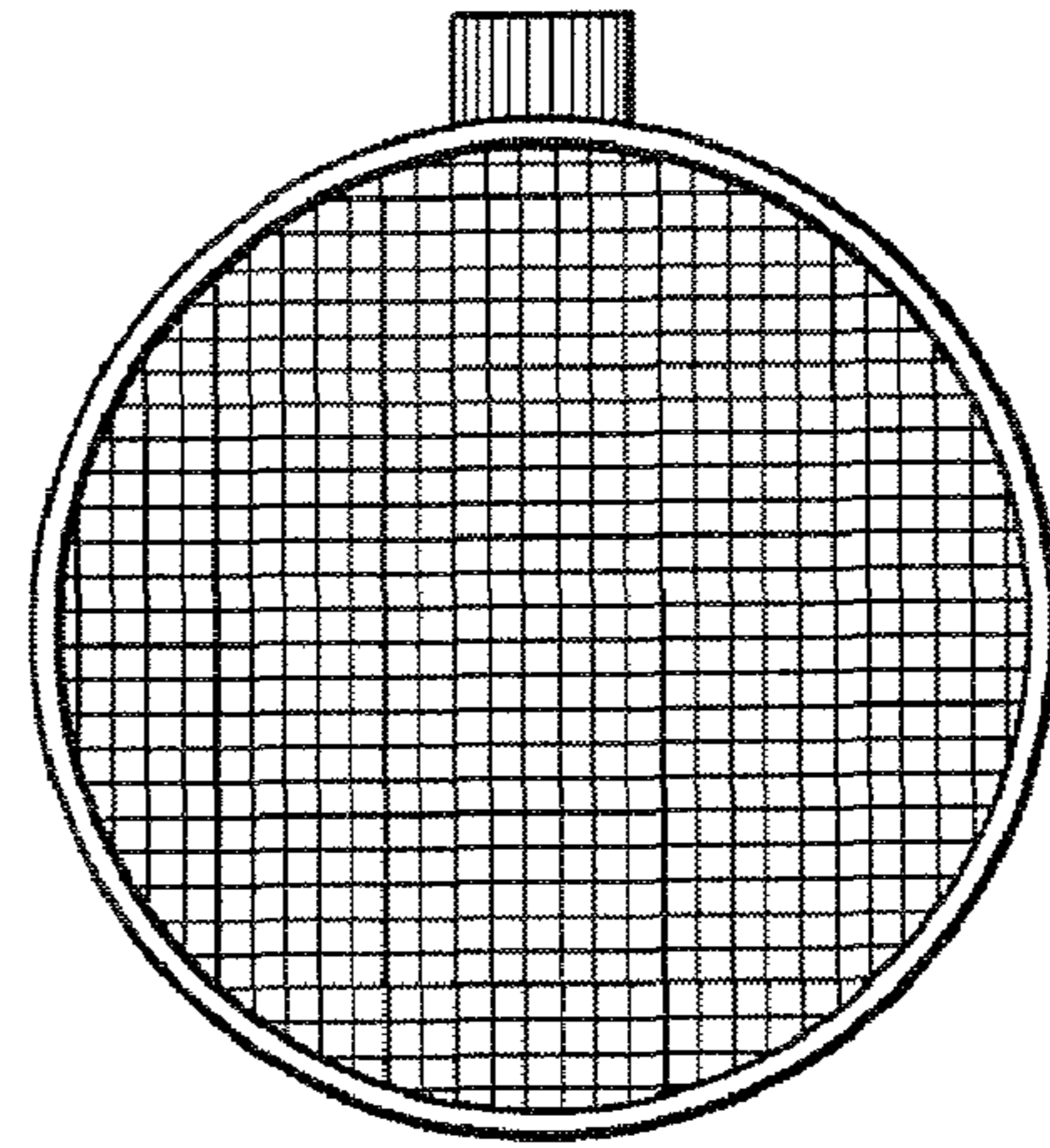
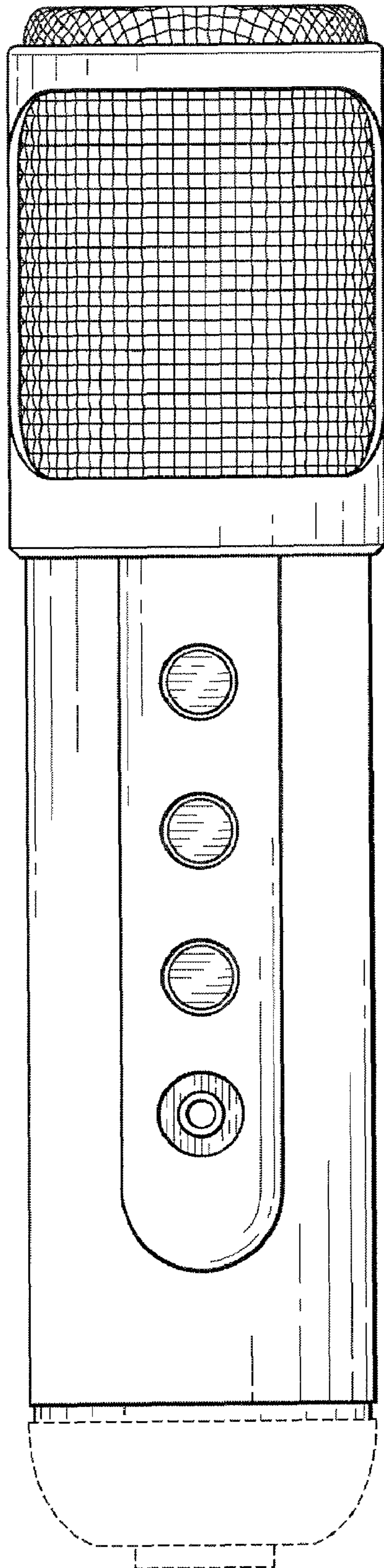


FIG. 5

FIG. 2

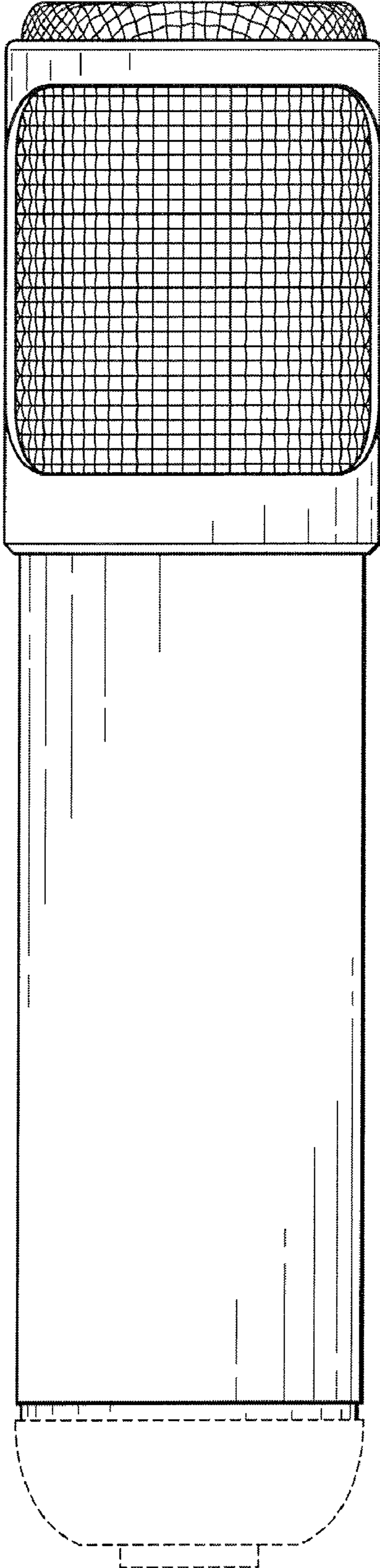


FIG. 3

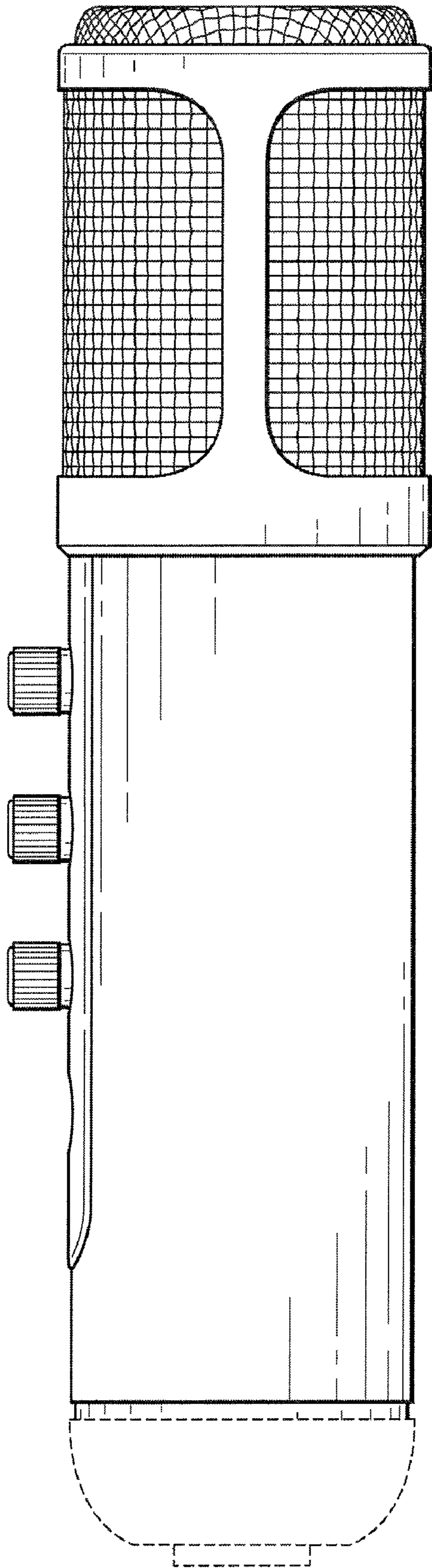


FIG. 4