

US00D594854S

(12) **United States Design Patent**
Hawkins et al.

(10) **Patent No.:** **US D594,854 S**

(45) **Date of Patent:** **** Jun. 23, 2009**

(54) **LOUDSPEAKER ARRAY**

7,298,860 B2 * 11/2007 Engebretson et al. 381/386
D560,207 S 1/2008 Hawkins et al.

(75) Inventors: **Bernie Hawkins**, Long Beach, CA (US);
Steve Tamasi, Huntington Beach, CA
(US); **Luis F. Esparza**, Chino Hills, CA
(US)

* cited by examiner

Primary Examiner—Nanda Bondade

(74) *Attorney, Agent, or Firm*—Perkins Coie LLP

(73) Assignee: **QSC Audio Products, LLC**, Costa
Mesa, CA (US)

(57) **CLAIM**

The ornamental design for the loudspeaker array, as shown
and described.

(**) Term: **14 Years**

(21) Appl. No.: **29/323,579**

(22) Filed: **Aug. 27, 2008**

Related U.S. Application Data

(62) Division of application No. 29/251,905, filed on Jan.
13, 2006, now Pat. No. Des. 560,207.

(51) **LOC (9) Cl.** **14-01**

(52) **U.S. Cl.** **D14/224; D14/217**

(58) **Field of Classification Search** D14/204,
D14/209–217, 221, 224; 211/118, 175, 182;
181/143–151, 157, 198–199; 224/311; 248/324,
248/278.1, 229.1; 381/300–302, 306, 333,
381/345, 361–364, 386–388, 332, 336; 29/434
See application file for complete search history.

(56) **References Cited**

U.S. PATENT DOCUMENTS

D222,476 S	10/1971	Ohyama et al.
5,000,286 A	3/1991	Crawford et al.
D369,356 S	4/1996	Olson
D394,263 S	5/1998	Fischer
5,749,137 A	5/1998	Martin
5,819,959 A	10/1998	Martin
5,996,728 A	12/1999	Stark
D500,306 S	12/2004	Noselli et al.
D531,986 S	11/2006	Azumi et al.

DESCRIPTION

FIG. 1 is a front isometric view of a first embodiment of a
loudspeaker array showing our new design.

FIG. 2 is a front elevation view of the first embodiment.

FIG. 3 is a back elevation view of the first embodiment.

FIG. 4 is a left side elevation view of the first embodiment.

FIG. 5 is a right side elevation view of the first embodiment.

FIG. 6 is a top plan view of the first embodiment.

FIG. 7 is a bottom plan view of the first embodiment.

FIG. 8 is a front isometric view of a second embodiment of a
loudspeaker array showing our new design.

FIG. 9 is a front elevation view of the second embodiment.

FIG. 10 is a back elevation view of the second embodiment.

FIG. 11 is a left side elevation view of the second embodi-
ment.

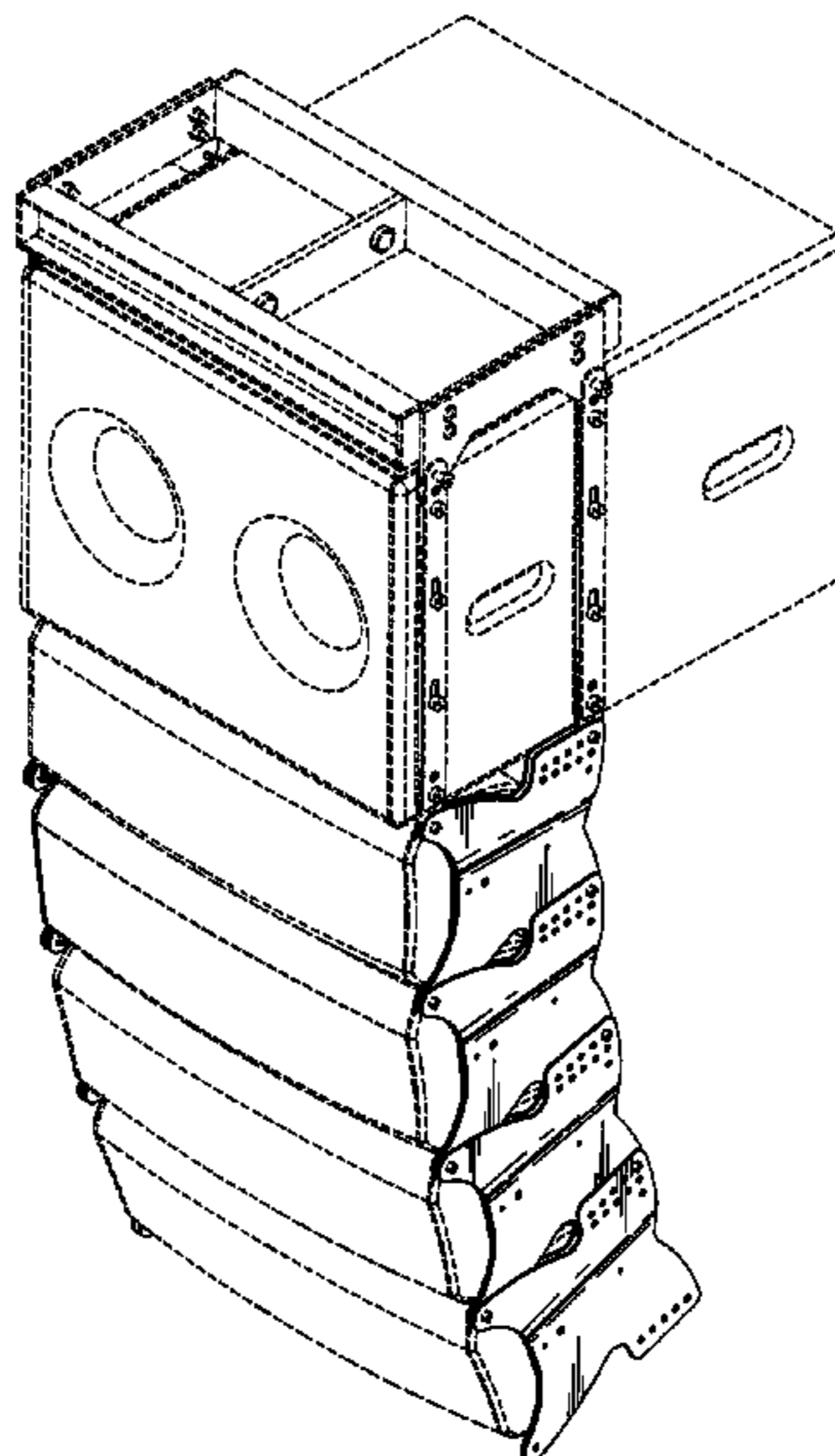
FIG. 12 is a right side elevation view of the second embodi-
ment.

FIG. 13 is a top plan view of the second embodiment; and,

FIG. 14 is a bottom plan view of the second embodiment.

The broken line showing on the drawing disclosure is for
illustrative purposes only and forms no part of the claimed
design.

1 Claim, 8 Drawing Sheets



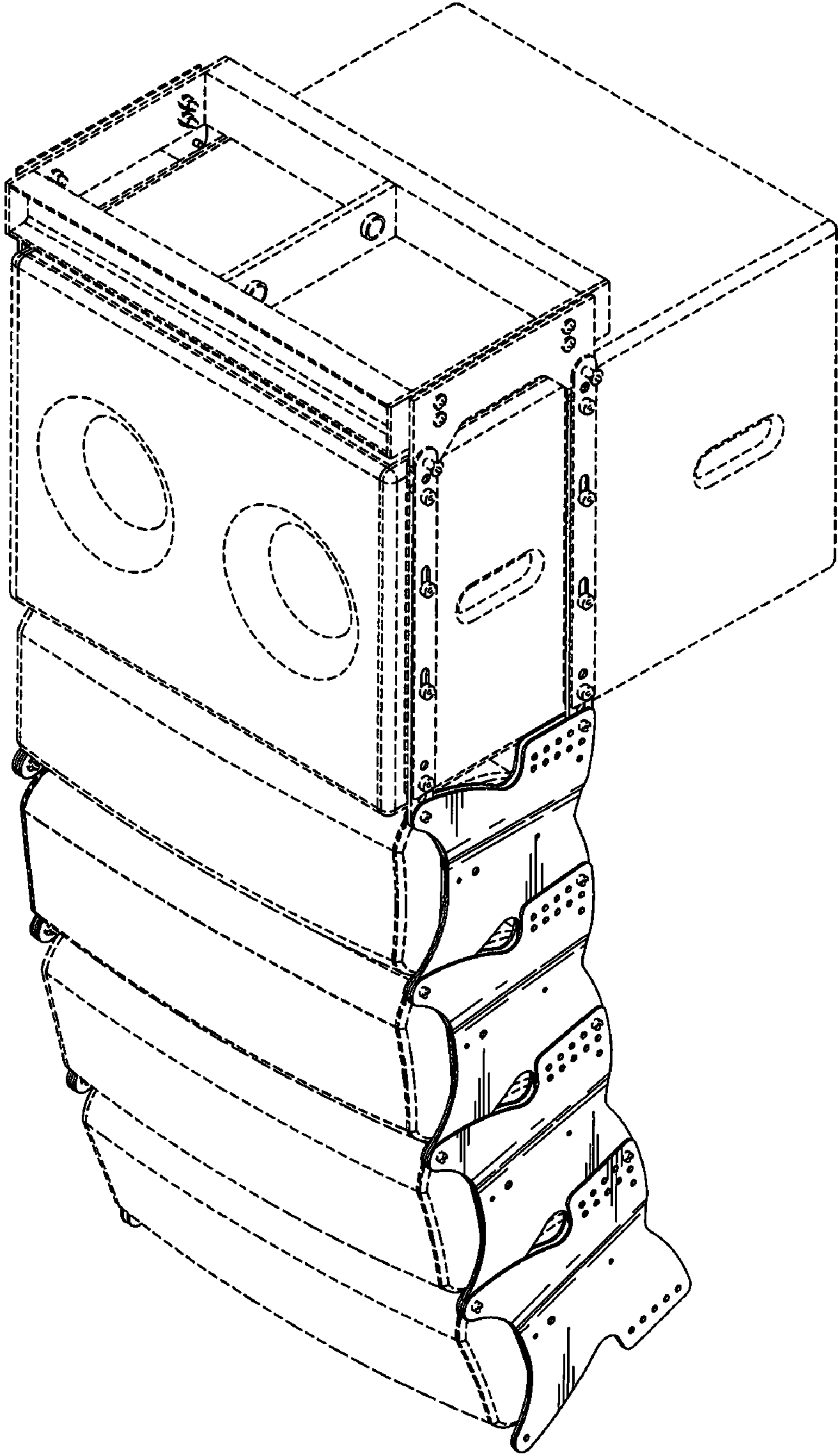


Fig. 1

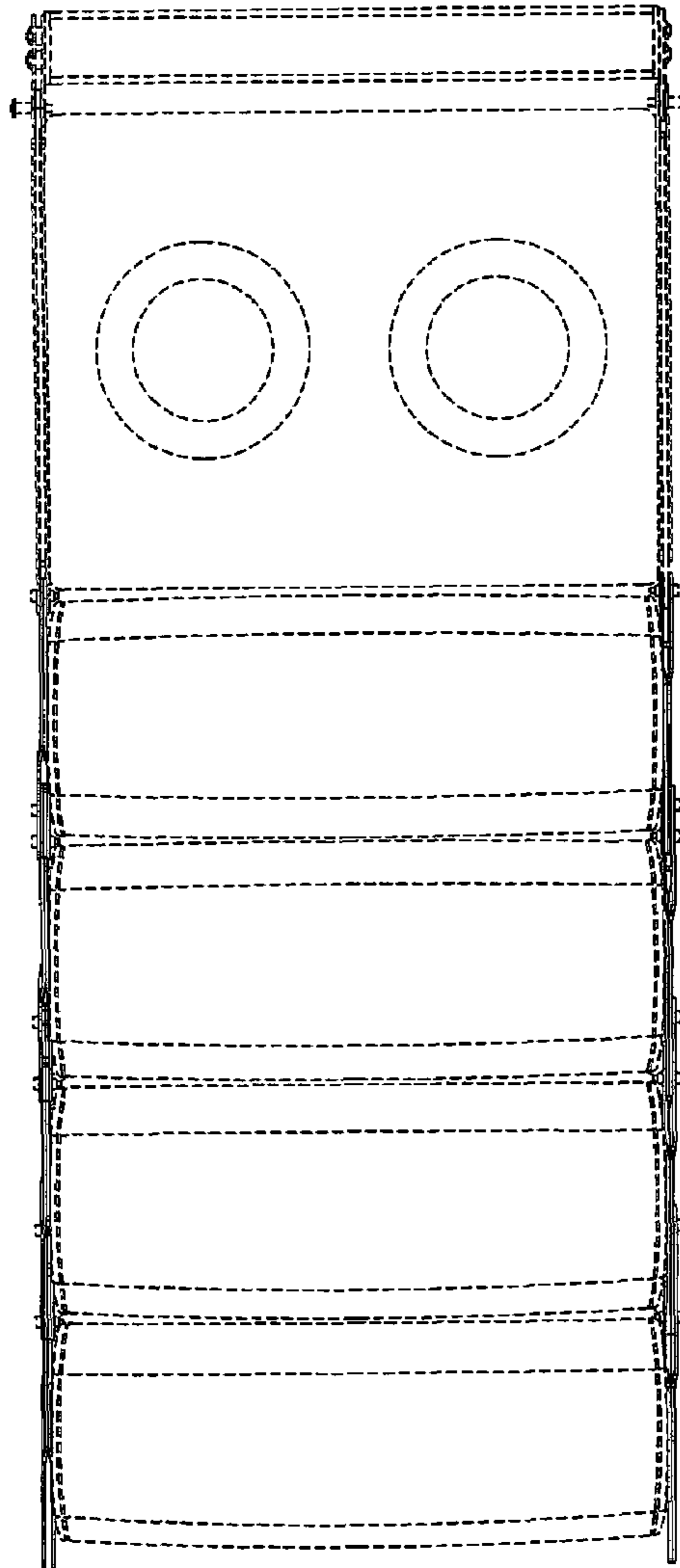


Fig. 2

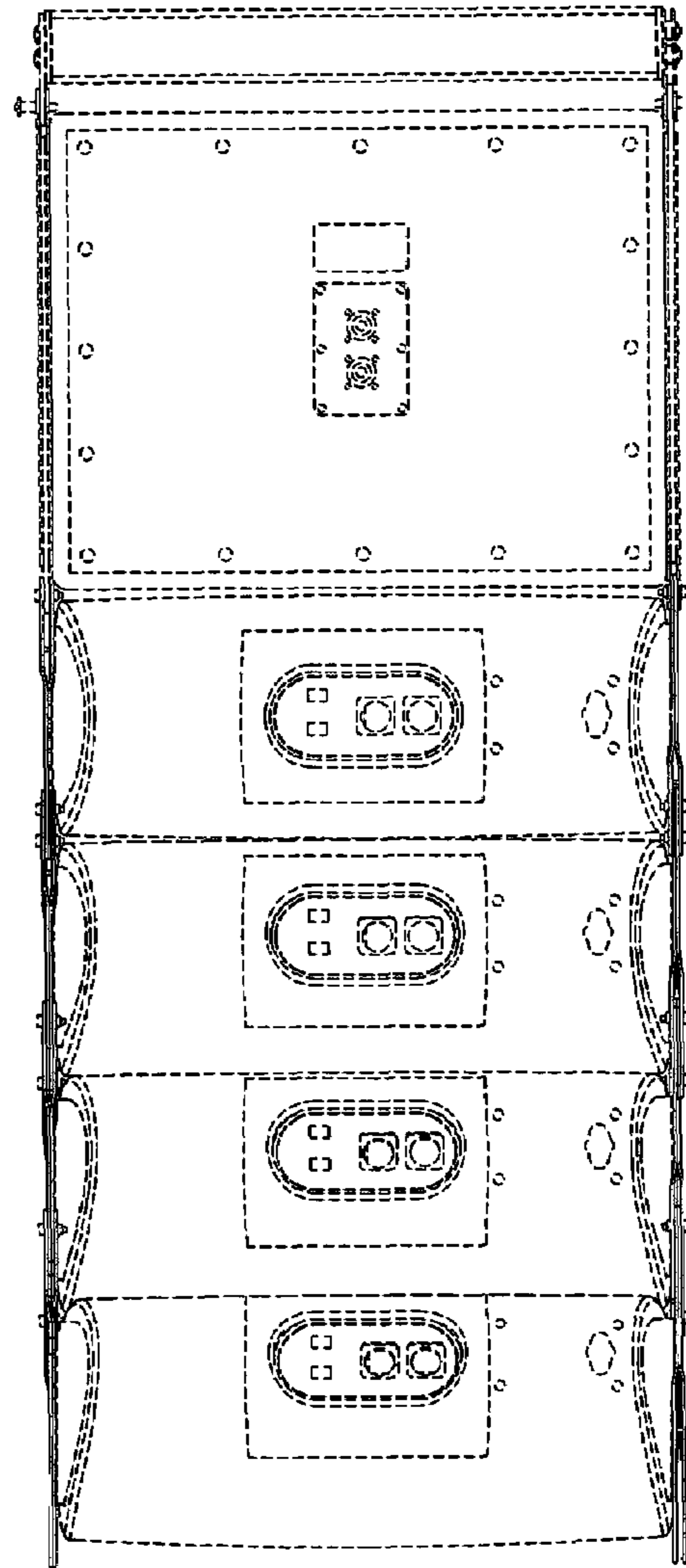


Fig. 3

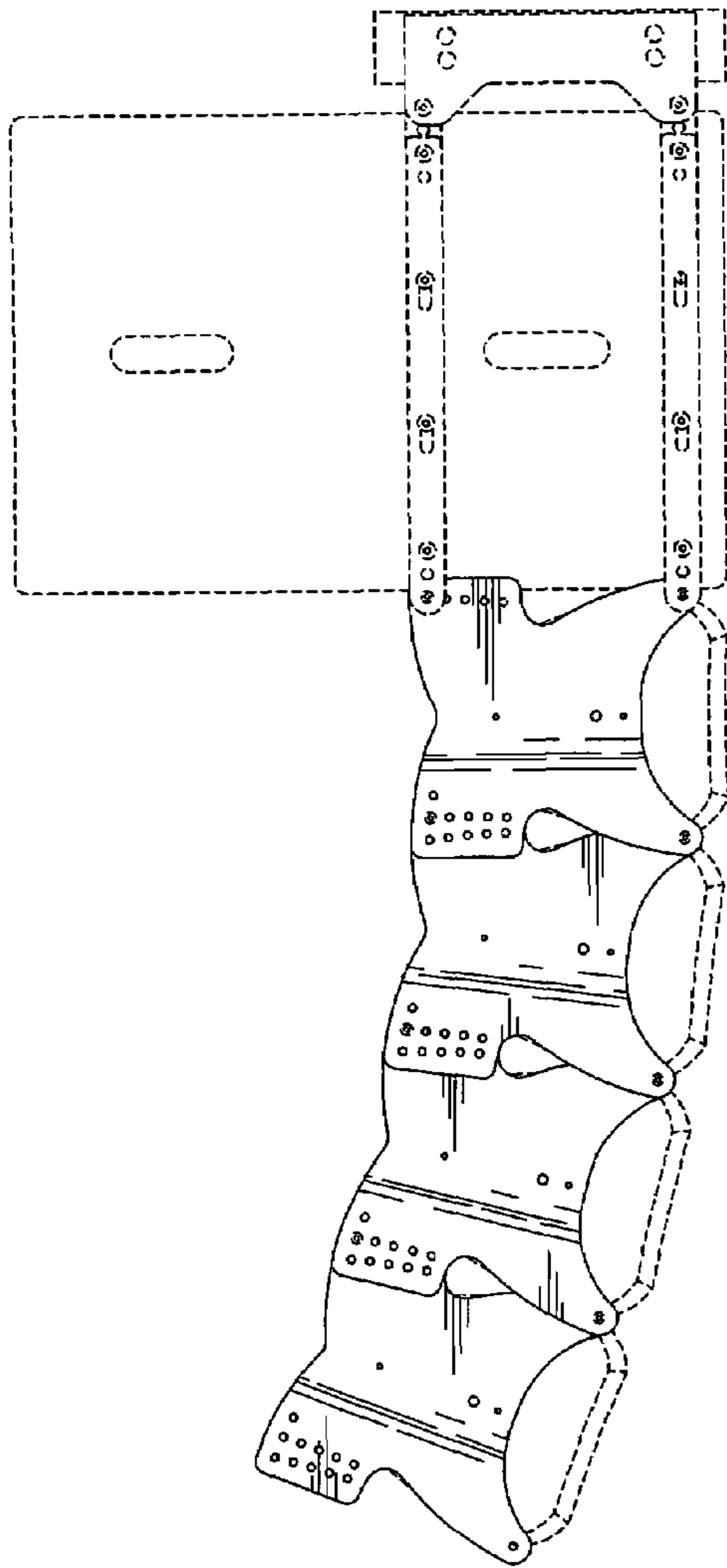


Fig. 4

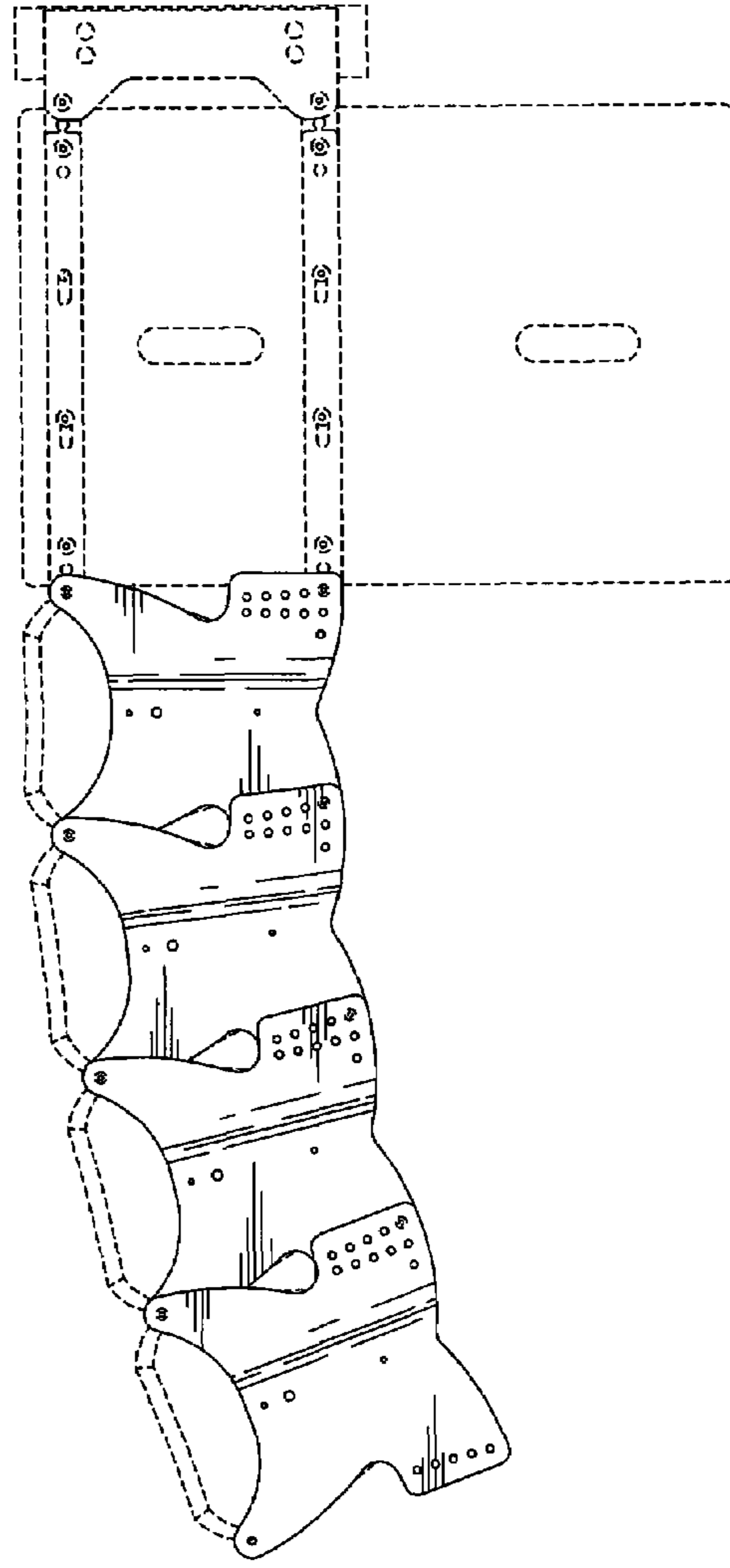


Fig. 5

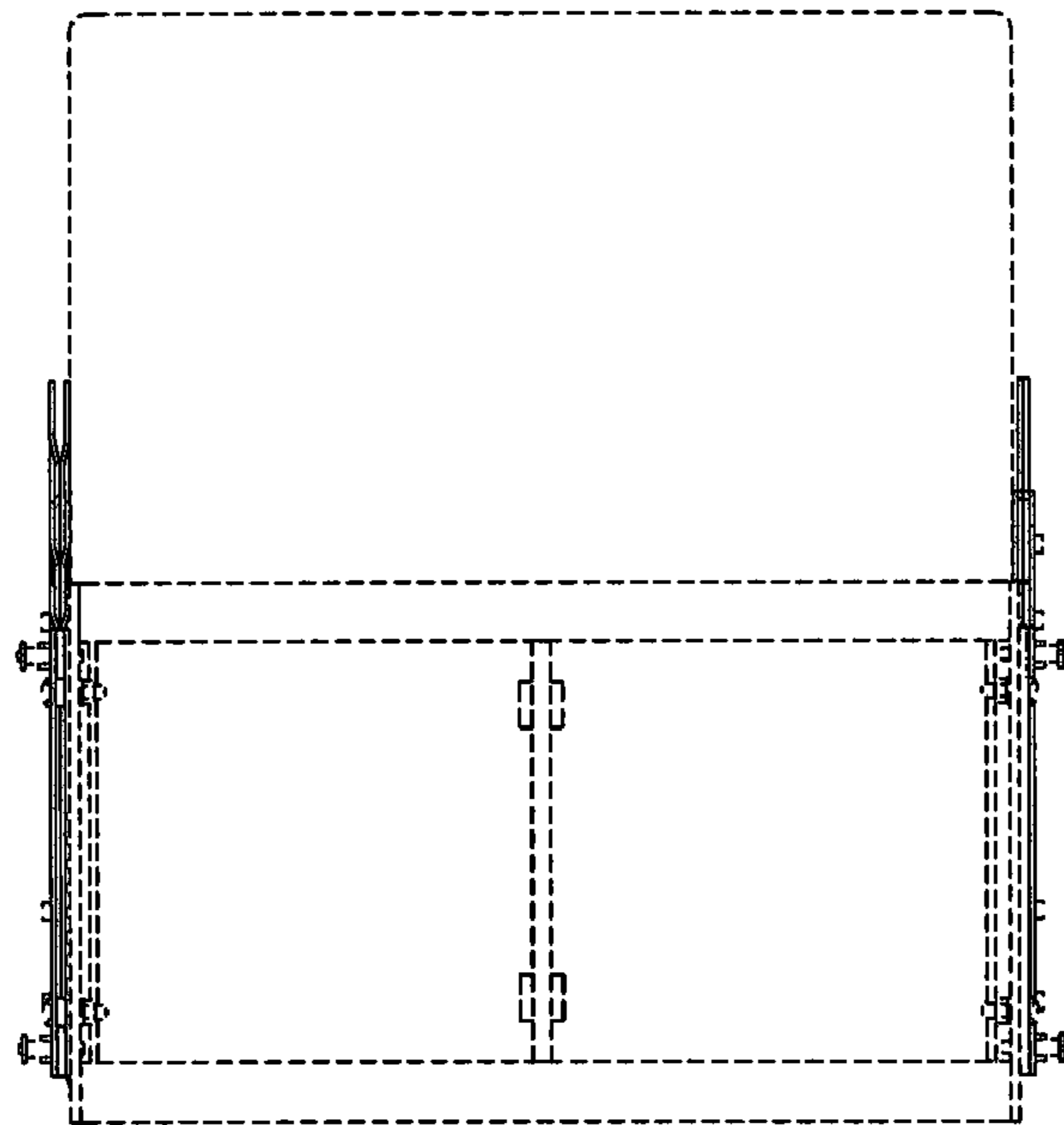


Fig. 6

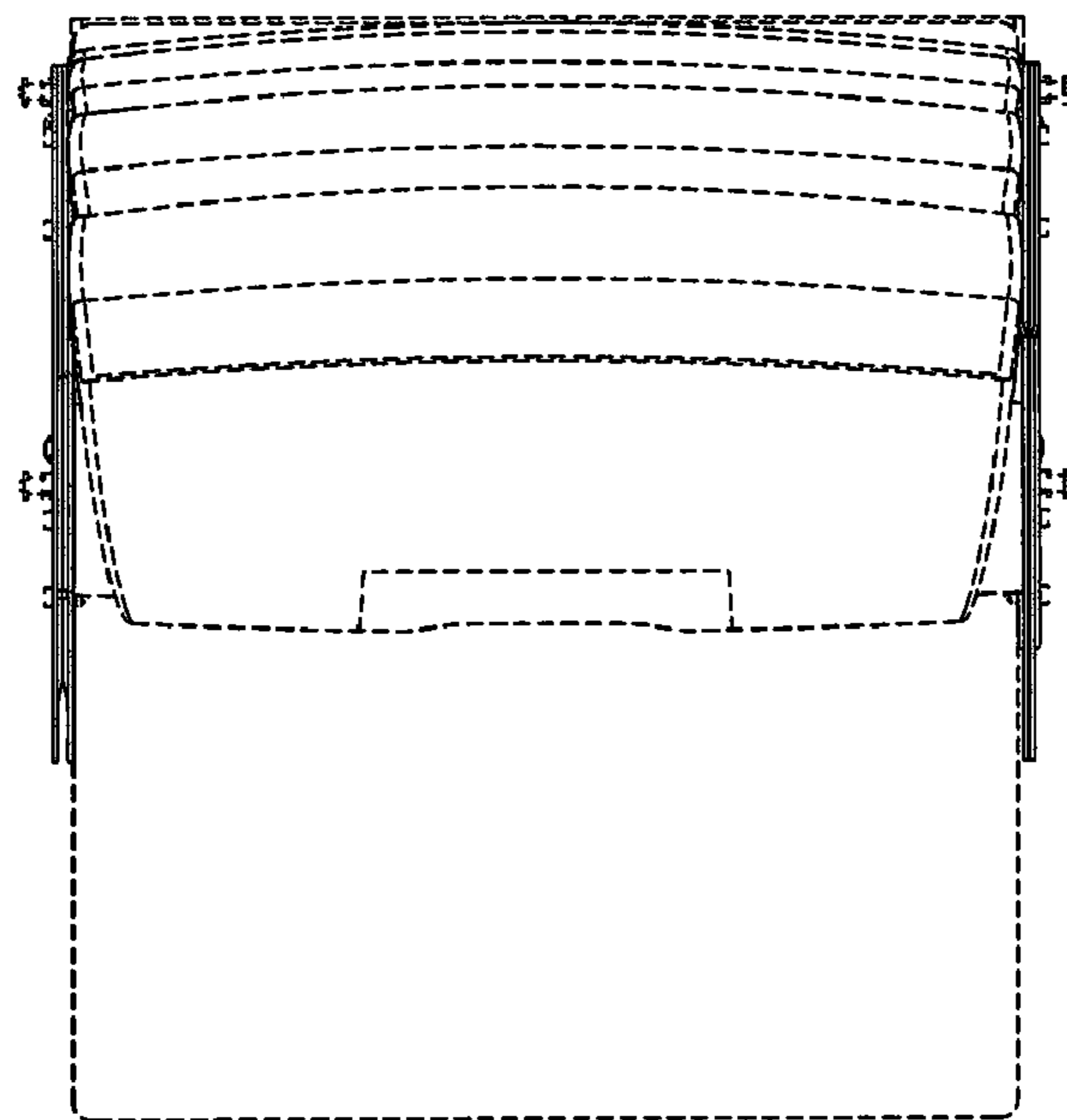


Fig. 7

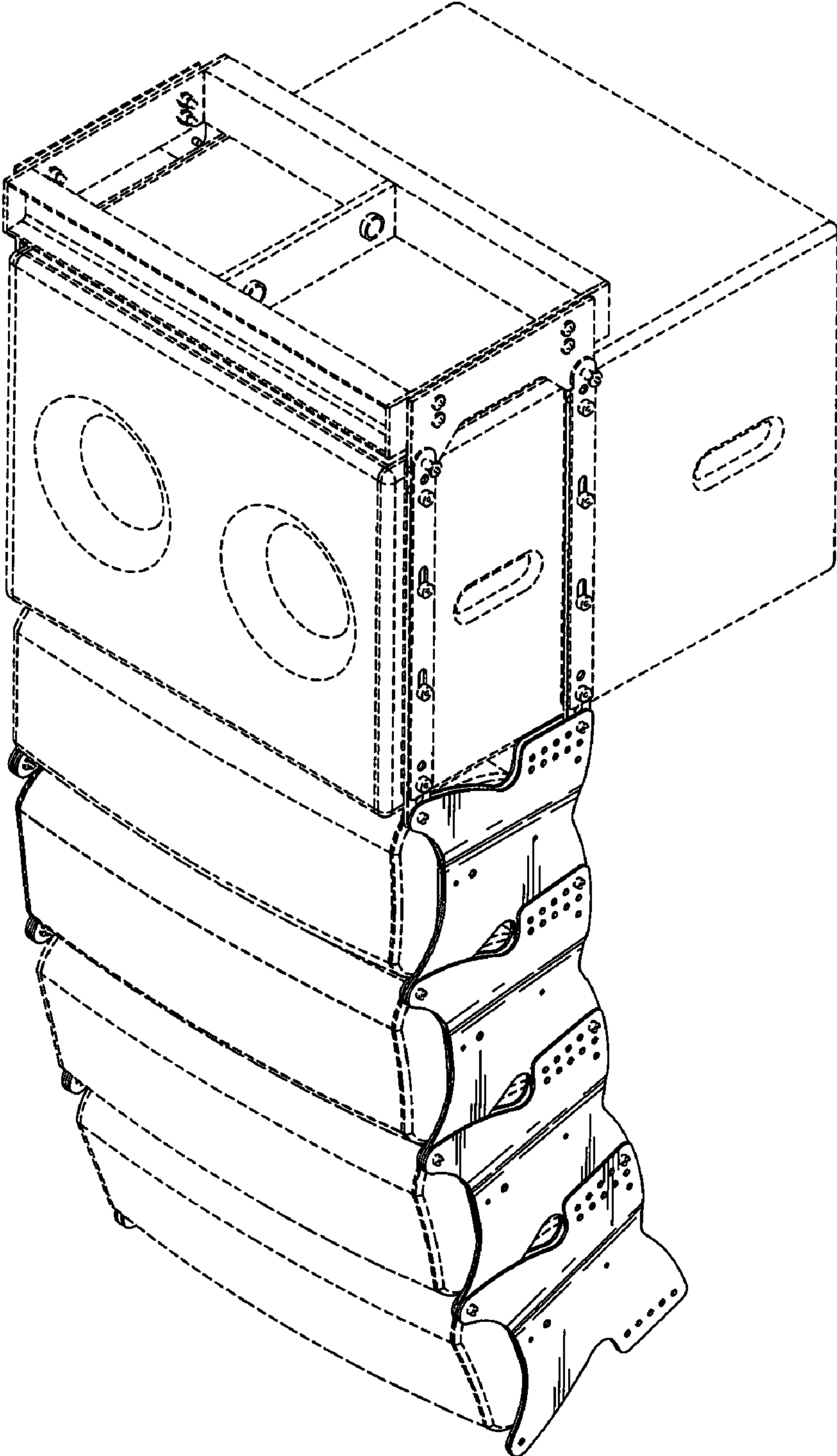


Fig. 8

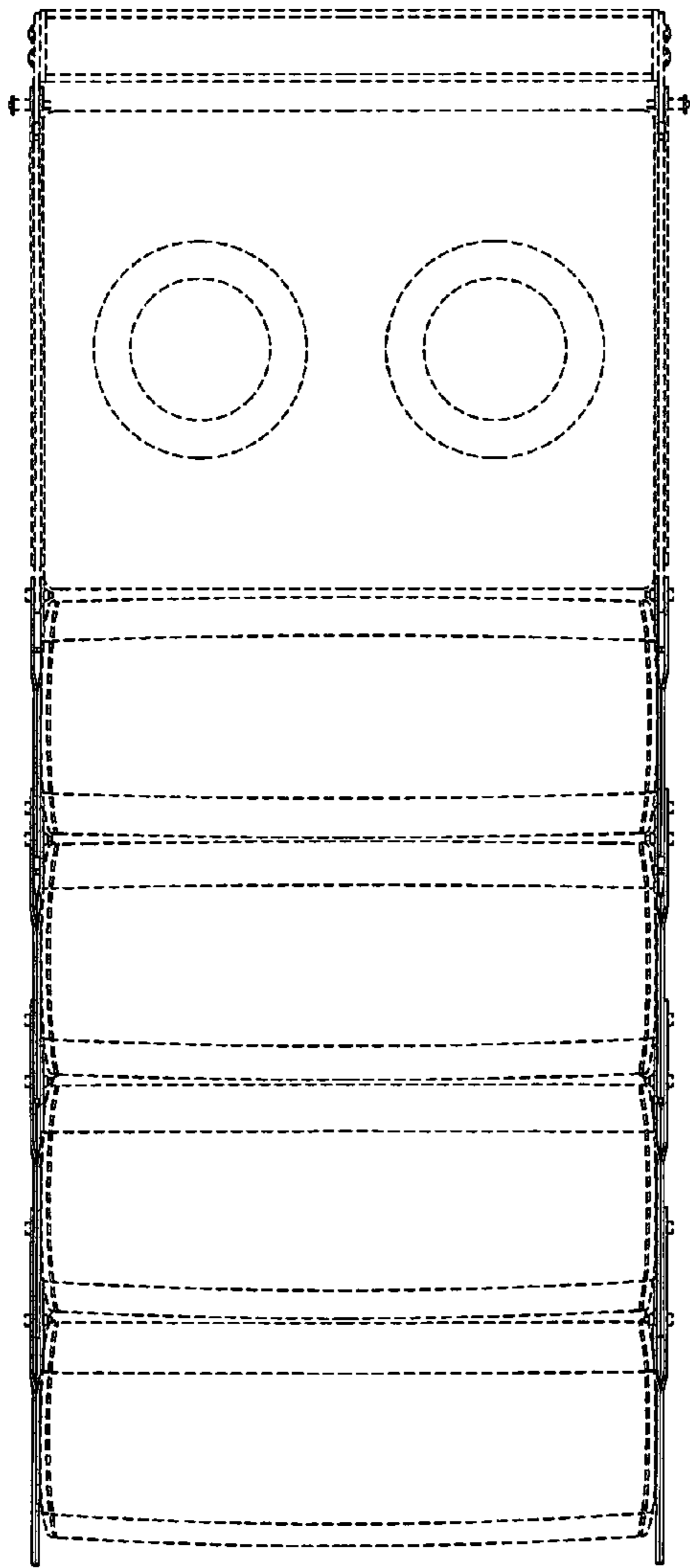


Fig. 9

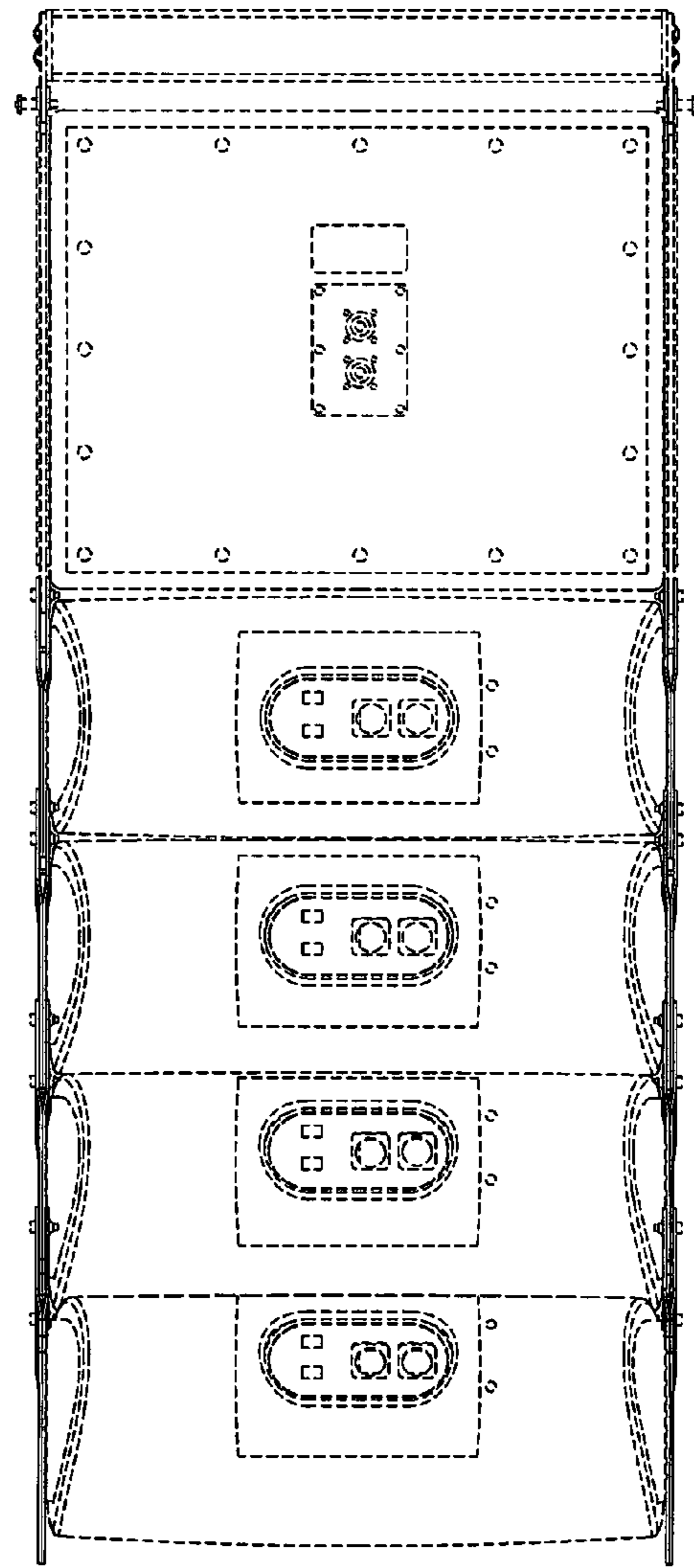


Fig. 10

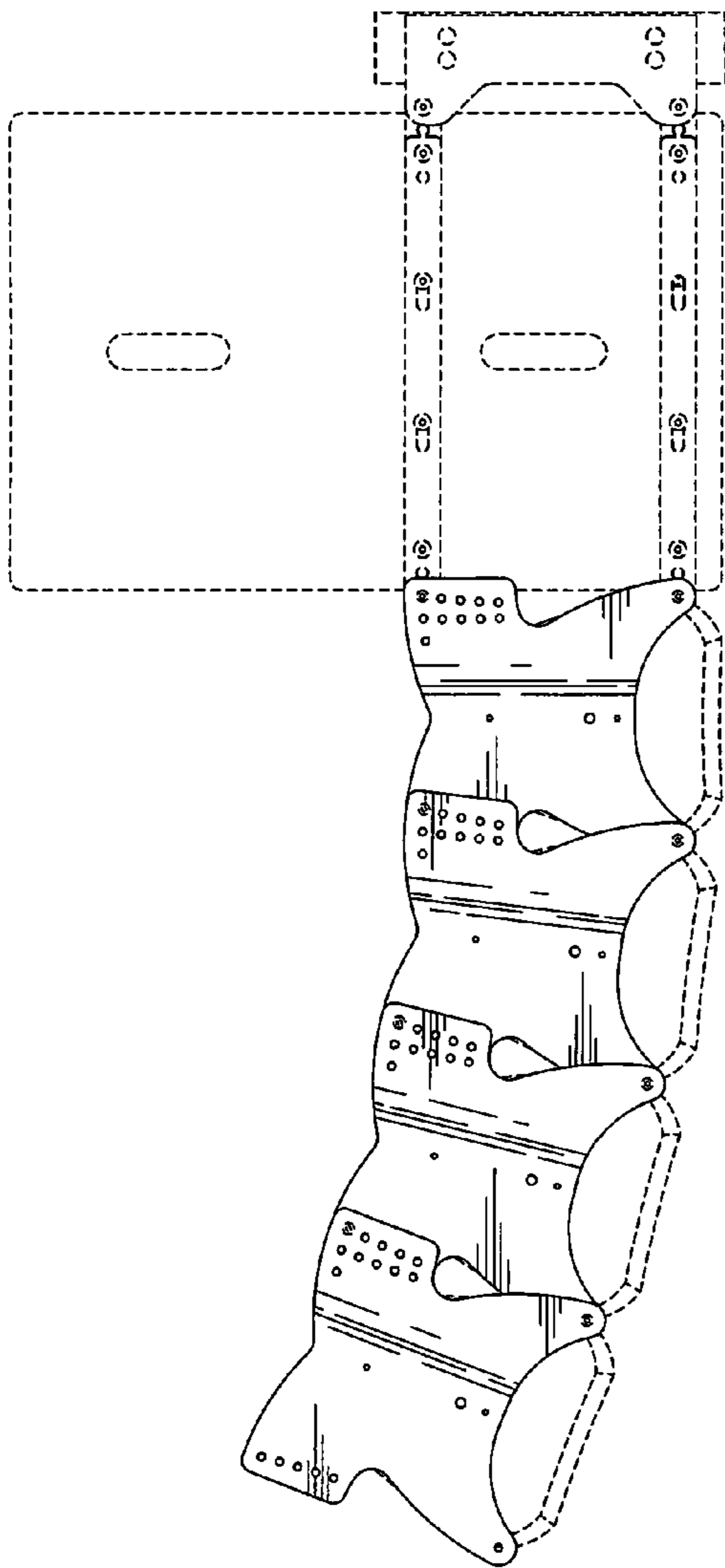


Fig. 11

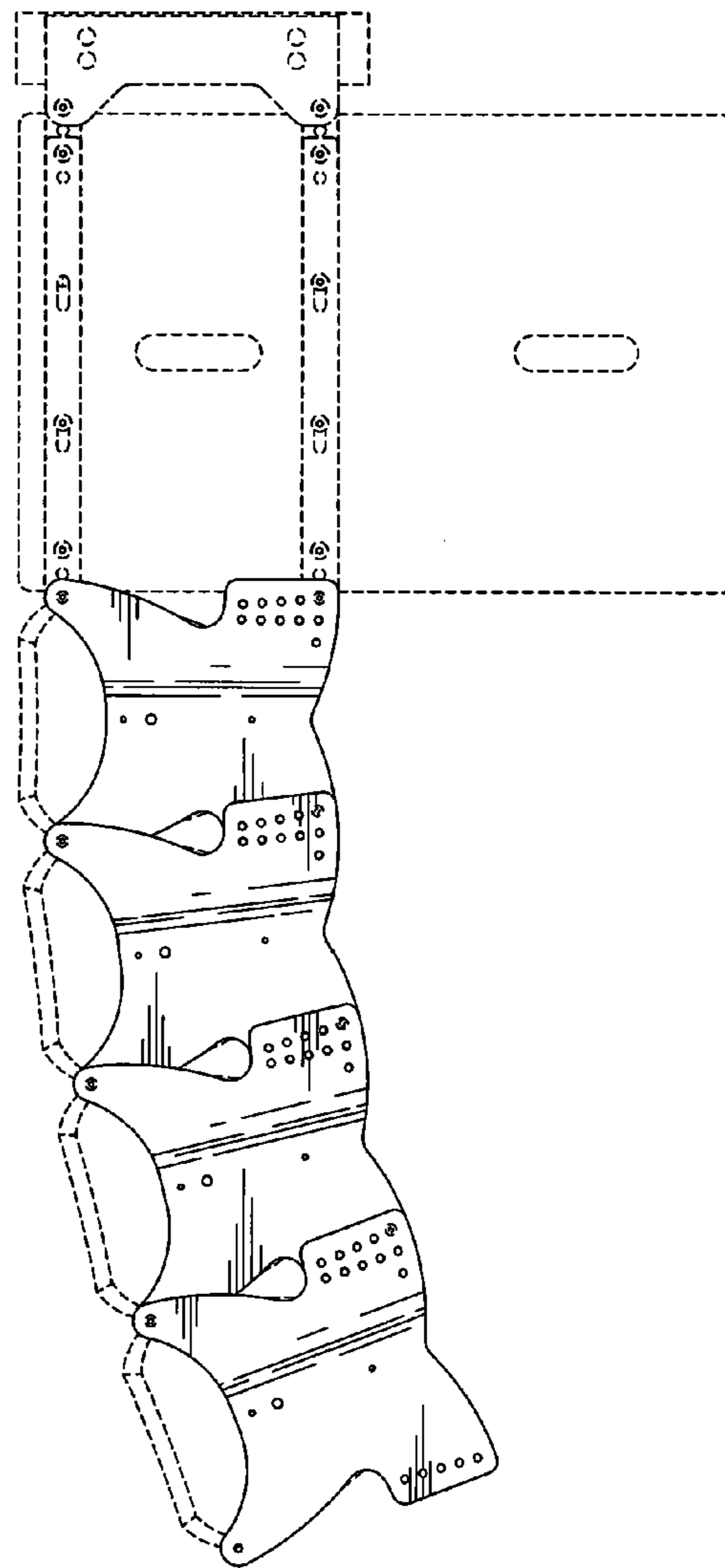


Fig. 12

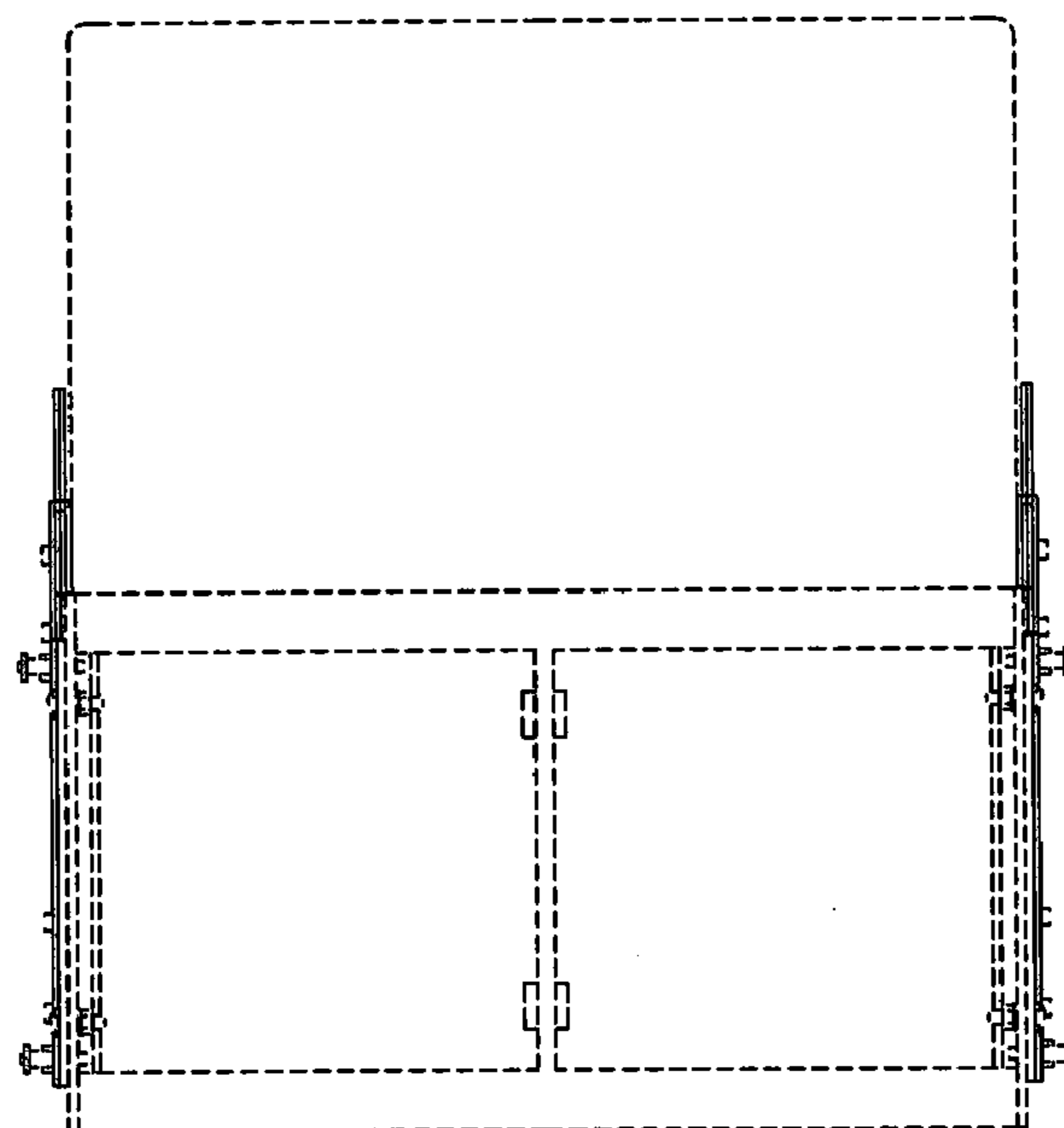


Fig. 13

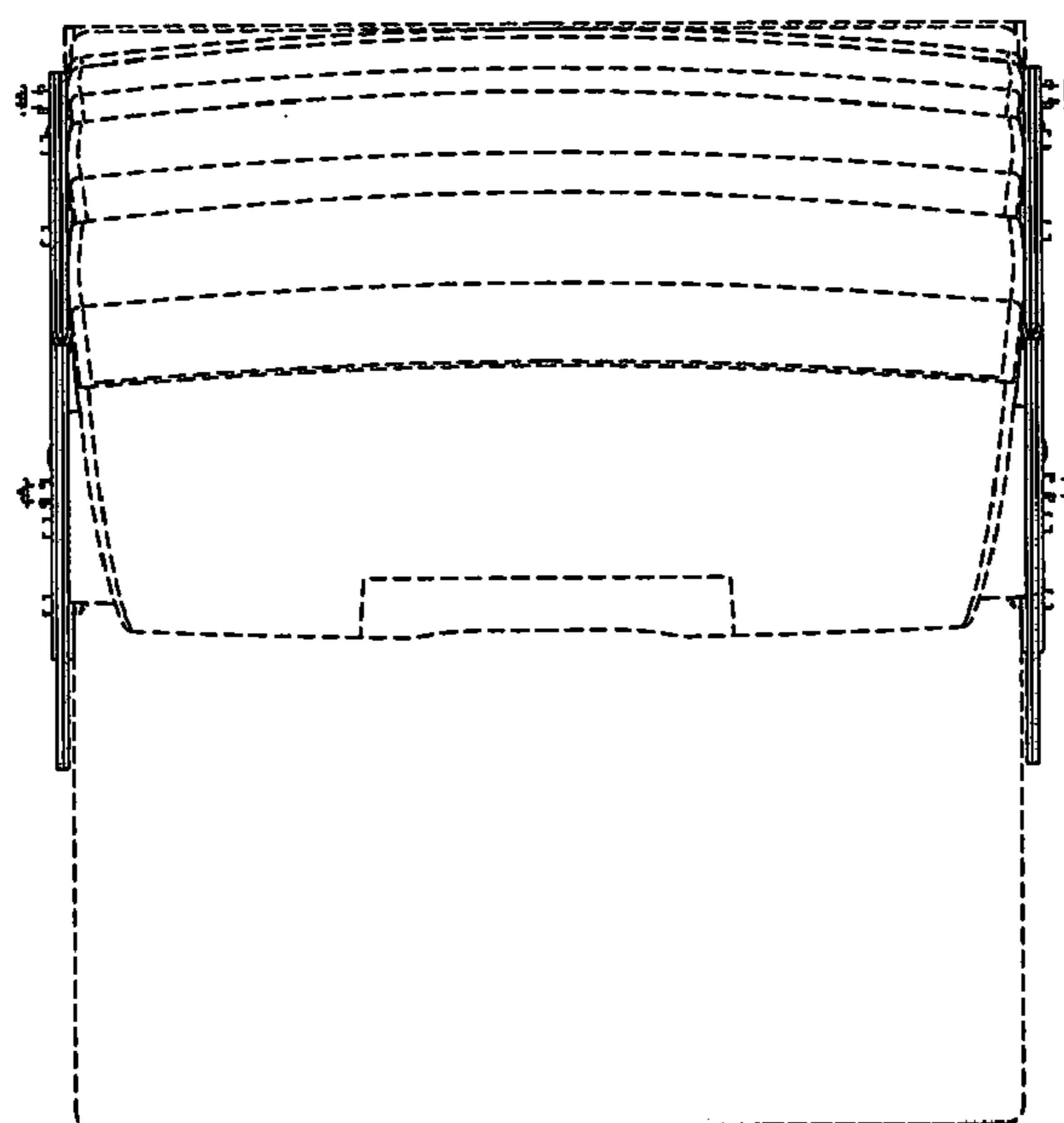


Fig. 14