

US00D594853S

(12) **United States Design Patent**  
**Guccione et al.**

(10) **Patent No.:** **US D594,853 S**  
(45) **Date of Patent:** **\*\* Jun. 23, 2009**

- (54) **WIRELESS HEADSET WITH FLAT FRONT FACE**
- (75) Inventors: **Darren S. Guccione**, Wheaton, IL (US);  
**Craig B. Lurey**, El Dorado Hills, CA (US)
- (73) Assignee: **Callpod Inc.**, Chicago, IL (US)
- (\*\*) Term: **14 Years**
- (21) Appl. No.: **29/327,555**
- (22) Filed: **Nov. 7, 2008**
- (51) **LOC (9) Cl.** ..... **14-01**
- (52) **U.S. Cl.** ..... **D14/223**
- (58) **Field of Classification Search** ..... D14/205,  
D14/206, 223, 138 R; 181/129, 130; 379/430,  
379/431, 433.01; 381/380, 381; D24/174;  
455/569.1, 575.1, 575.2, 575.8, 90.1, 351  
See application file for complete search history.

(56) **References Cited**

**U.S. PATENT DOCUMENTS**

- D467,895 S 12/2002 Hirano
- 6,772,853 B2 8/2004 Yang
- D528,531 S \* 9/2006 Rose et al. .... D14/138 R
- D532,520 S 11/2006 Kampmeier et al.
- D537,438 S 2/2007 Hermansen
- D538,270 S 3/2007 Kim et al.
- D538,271 S \* 3/2007 Kim et al. .... D14/223
- D538,792 S \* 3/2007 Kim et al. .... D14/223
- D539,787 S \* 4/2007 Kim et al. .... D14/223
- D542,267 S \* 5/2007 Cha et al. .... D14/206
- D542,282 S 5/2007 Yoshiyama
- D543,972 S 6/2007 Taylor
- D552,087 S 10/2007 Wei
- D552,596 S \* 10/2007 Christopher ..... D14/205
- D559,837 S 1/2008 Nakano
- D562,310 S \* 2/2008 Moon et al. .... D14/223
- D562,808 S 2/2008 Gwee
- D565,033 S 3/2008 Goransson

- D566,103 S \* 4/2008 Sade et al. .... D14/223
- D566,104 S 4/2008 Suzuki
- D566,693 S \* 4/2008 Jensen et al. .... D14/223
- D568,290 S 5/2008 Wikel
- D568,301 S \* 5/2008 Kim et al. .... D14/223
- D573,983 S \* 7/2008 Bang et al. .... D14/223
- D575,277 S \* 8/2008 Gaarde et al. .... D14/223
- D575,278 S 8/2008 Guccione et al.
- D581,906 S \* 12/2008 Birger ..... D14/223
- D585,430 S \* 1/2009 Kim et al. .... D14/223
- D586,791 S \* 2/2009 Birger et al. .... D14/223
- D588,113 S \* 3/2009 Bradford ..... D14/223

**OTHER PUBLICATIONS**

U.S. Appl. No. 11/857,521, filed Sep. 19, 2007 (not yet published).

\* cited by examiner

*Primary Examiner*—Paula Greene

(74) *Attorney, Agent, or Firm*—Levenfeld Pearlstein, LLC

(57) **CLAIM**

The ornamental design for a wireless headset with flat front face, as shown and described.

**DESCRIPTION**

FIG. 1 is a front, top perspective view of a wireless headset with flat front face showing our new design, the portion below the front face is plane, unornamented, and not part of the claimed design;

FIG. 2 is a front view thereof;

FIG. 3 is a rear view thereof;

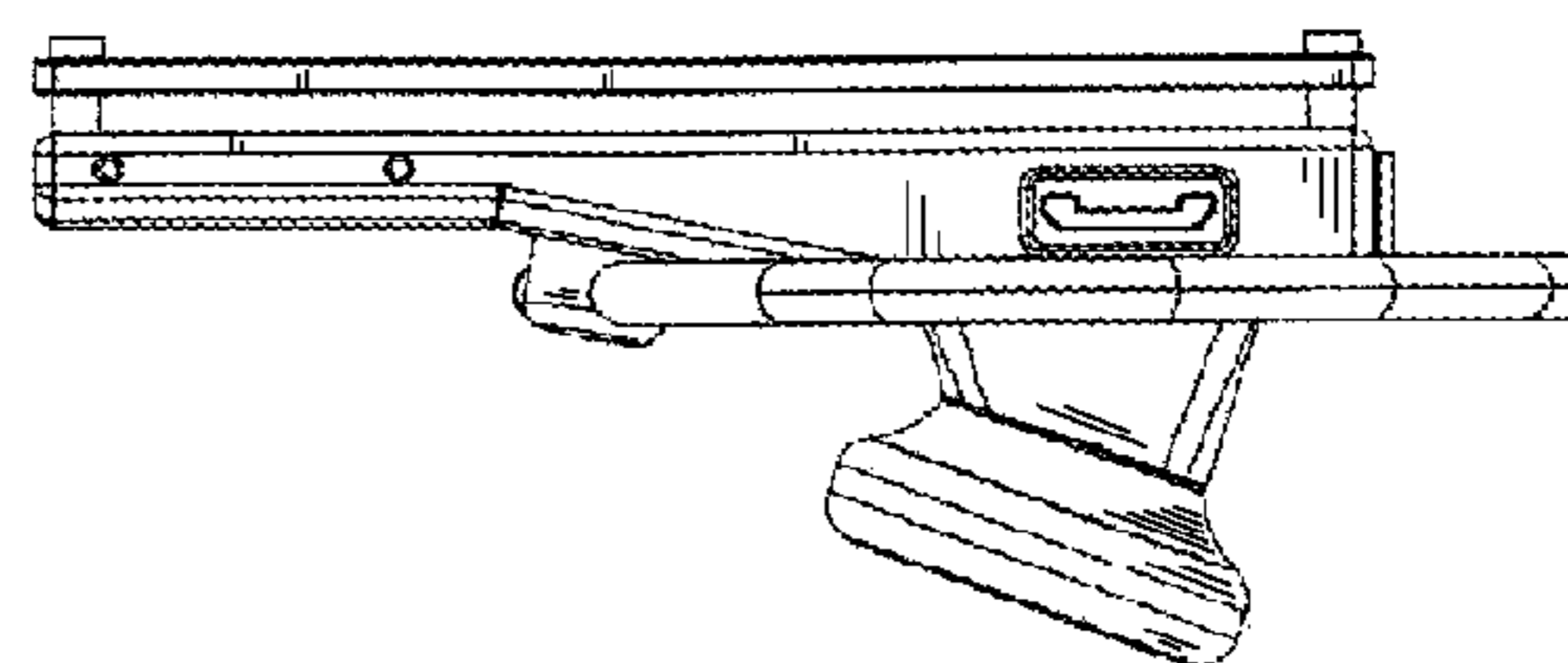
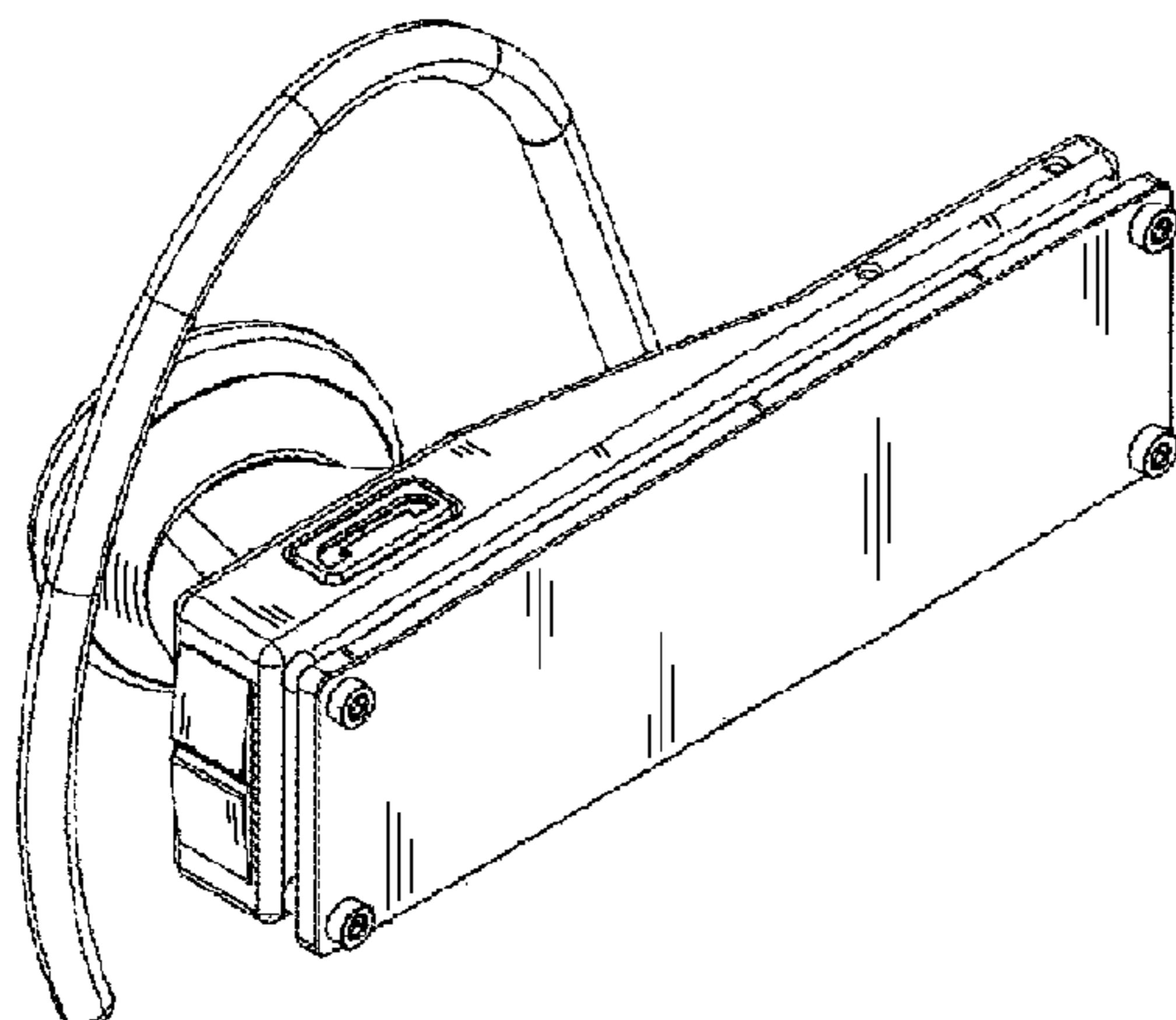
FIG. 4 is a top view thereof;

FIG. 5 is a bottom view thereof;

FIG. 6 is a side view thereof, as seen from the right-hand side of FIG. 2; and,

FIG. 7 is a side view thereof, as seen from the left-hand side of FIG. 2.

**1 Claim, 1 Drawing Sheet**



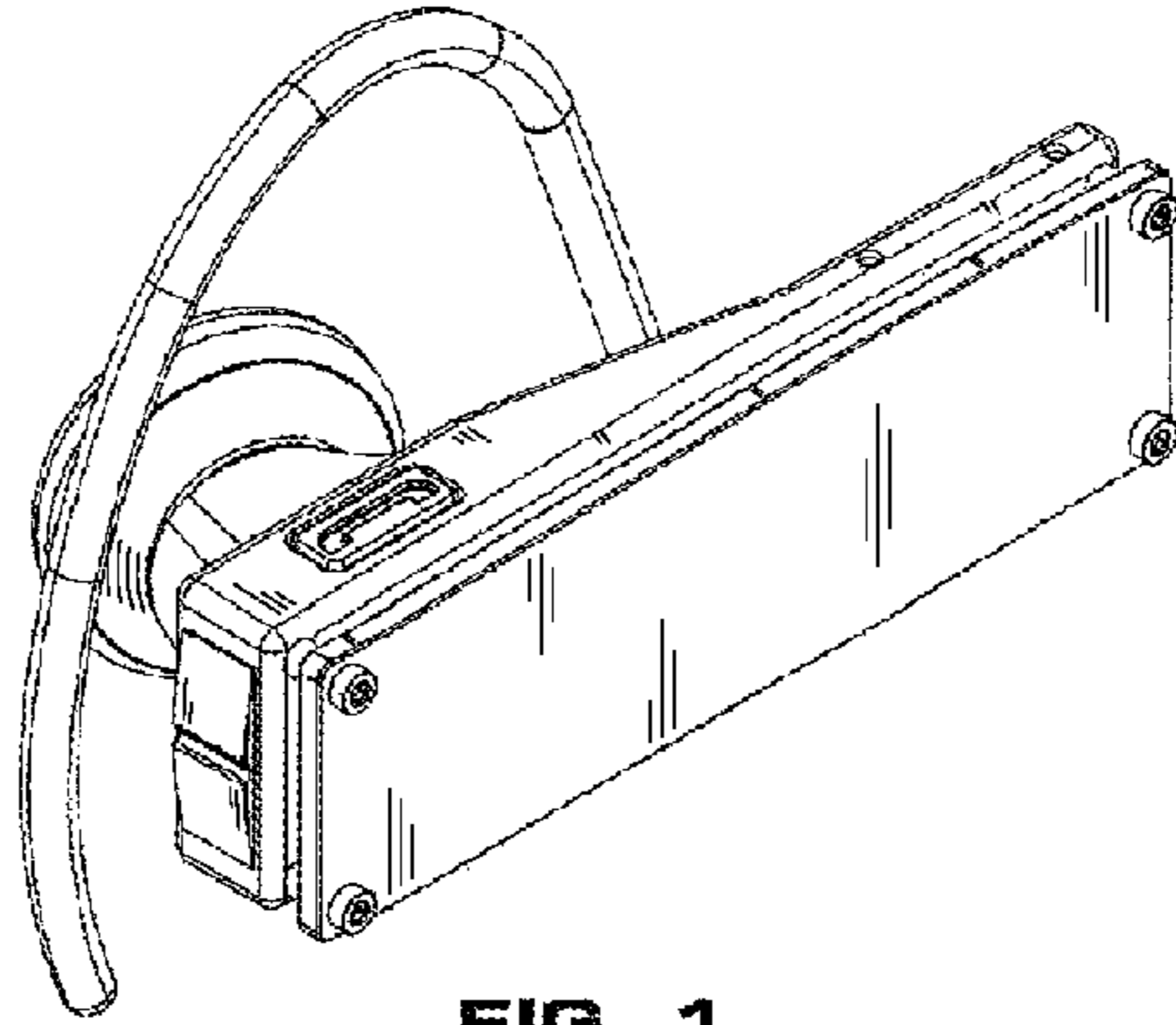


FIG. 1

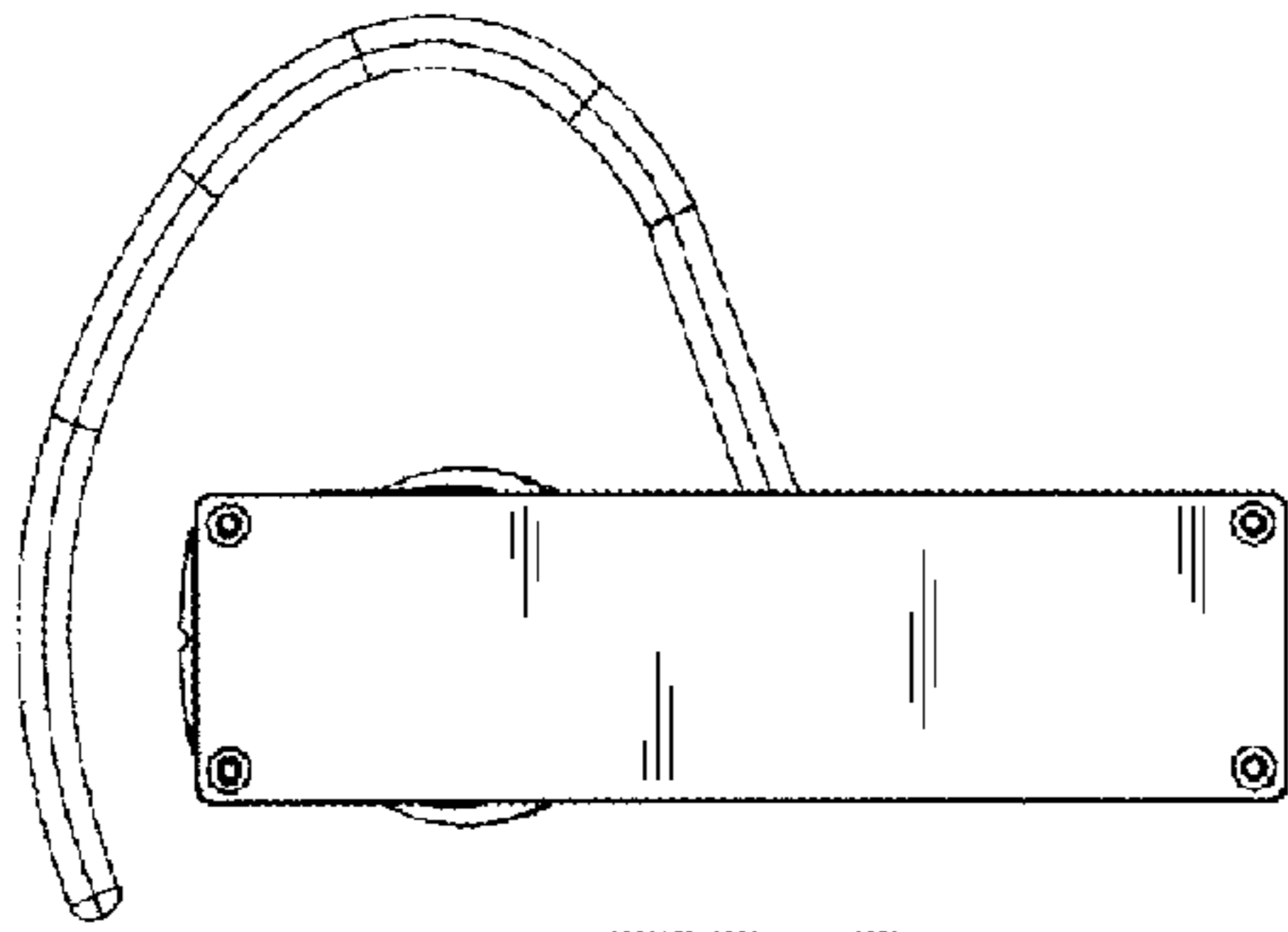


FIG. 2

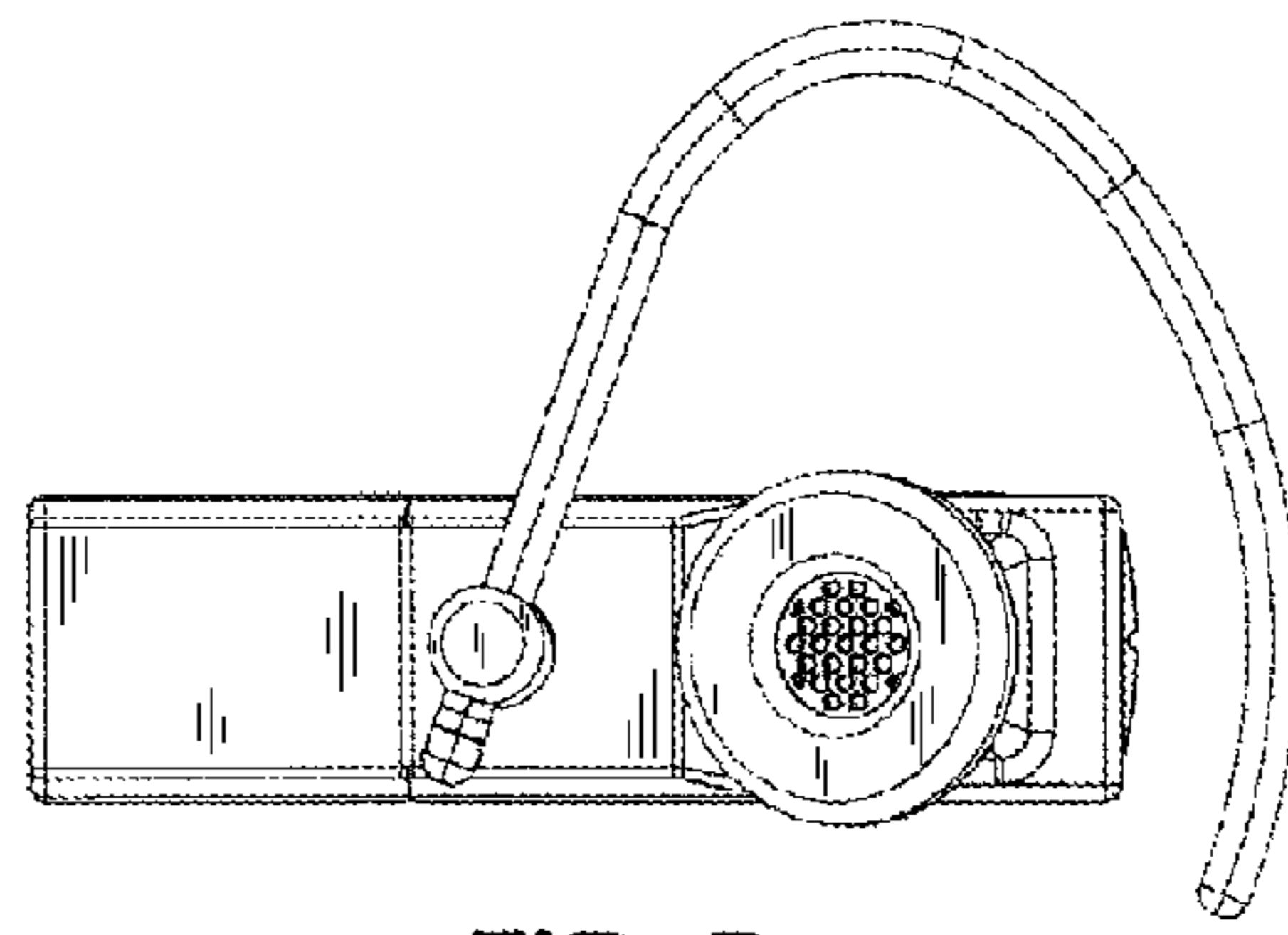


FIG. 3

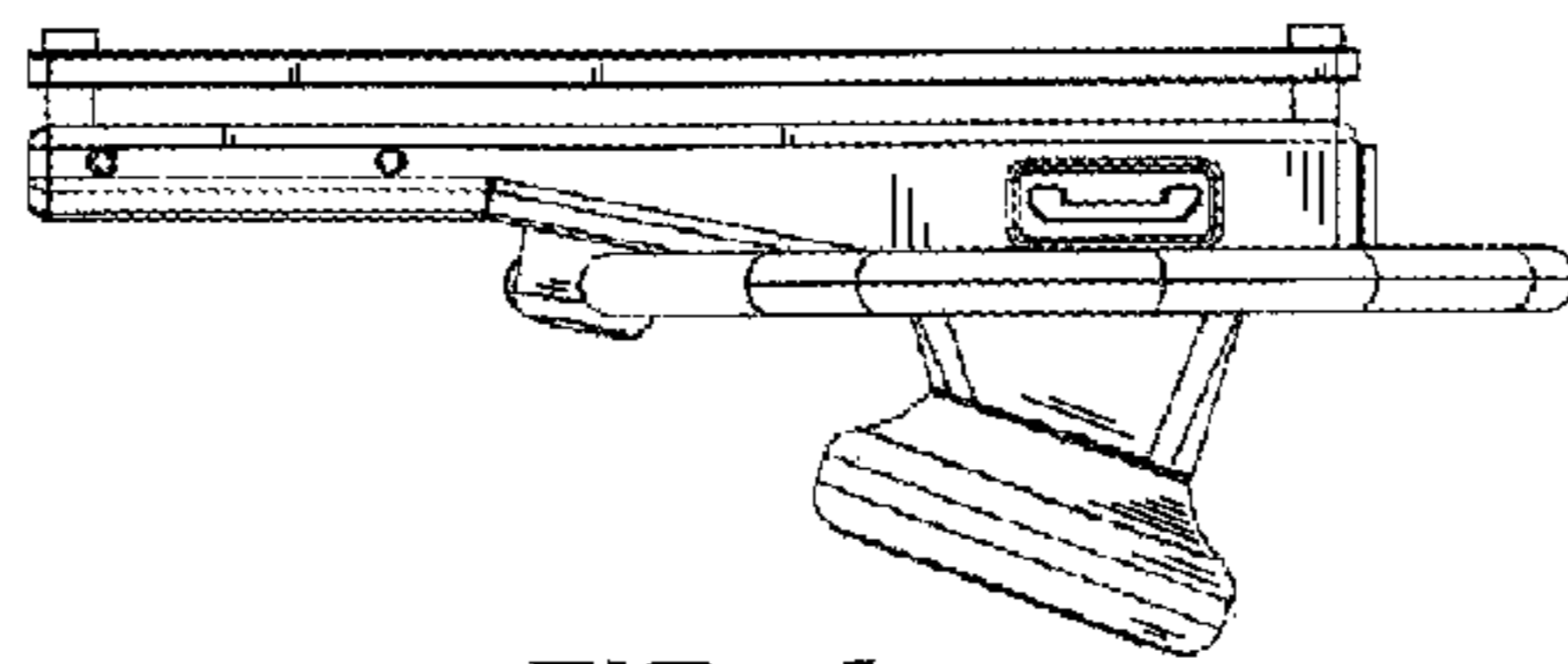


FIG. 4

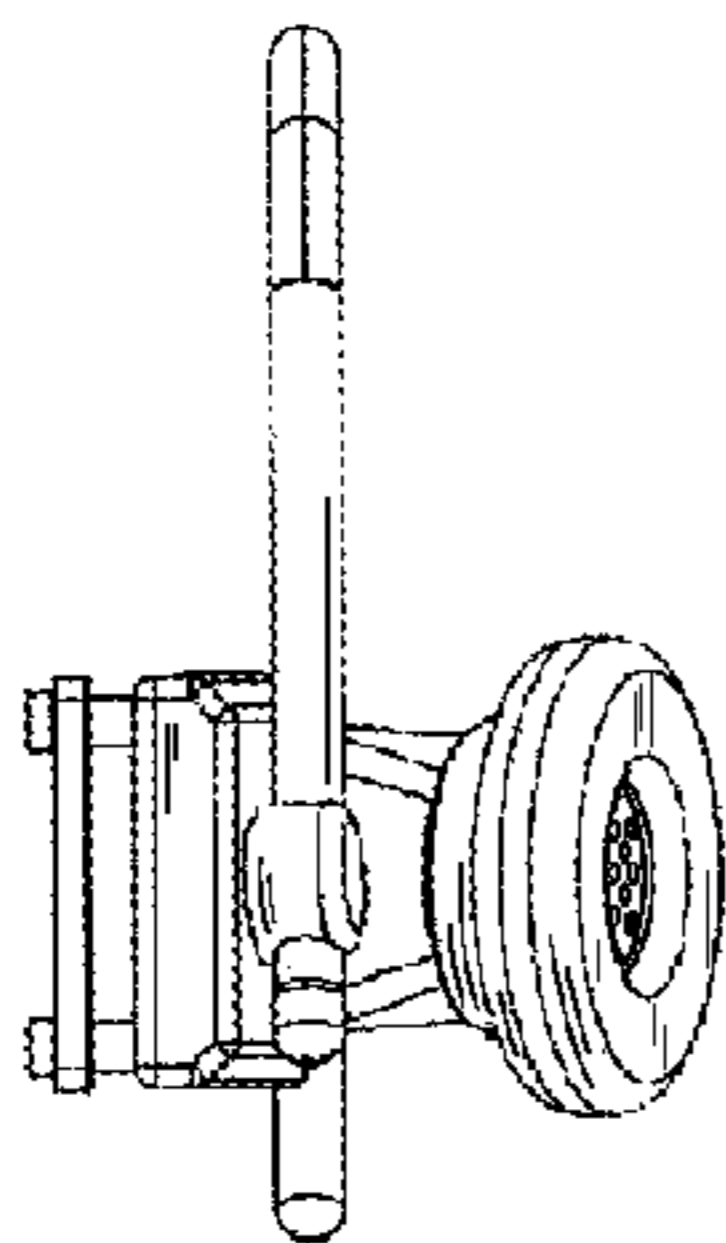


FIG. 6

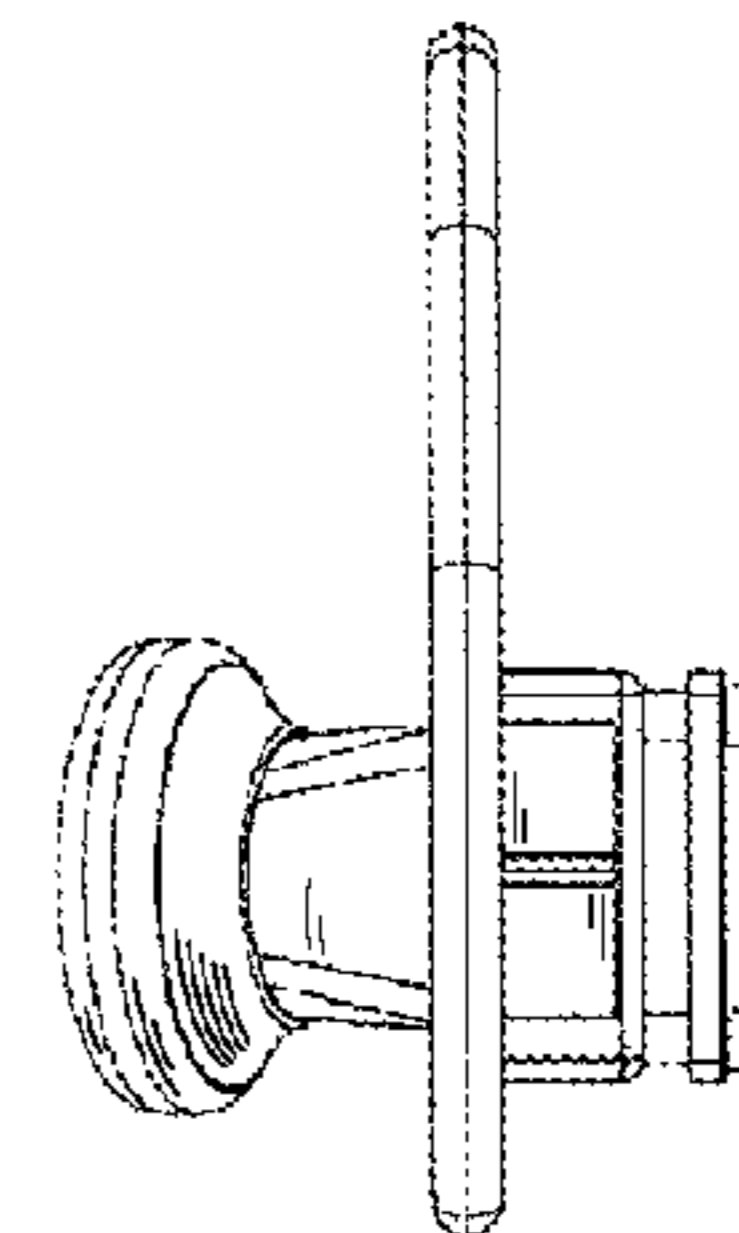


FIG. 7

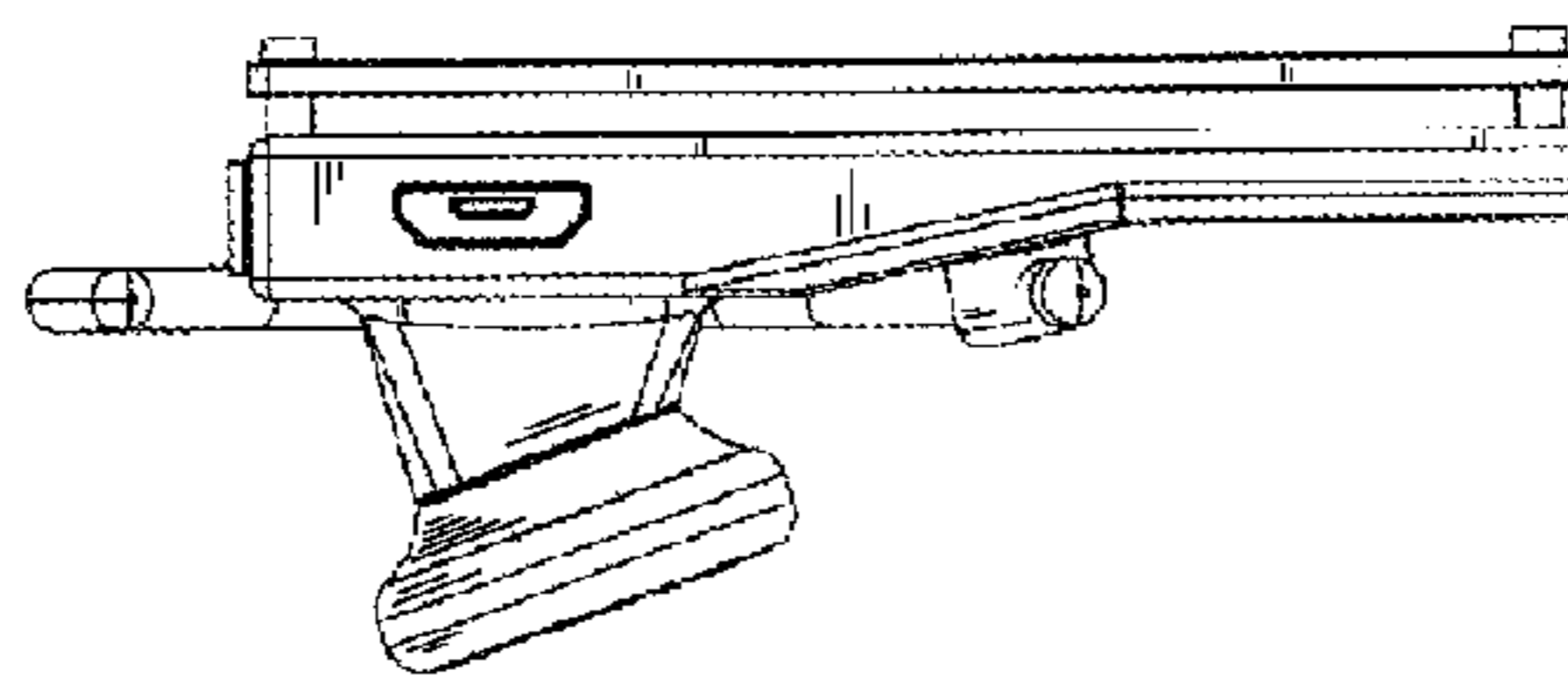


FIG. 5