



US00D594849S

(12) **United States Design Patent**
Ko

(10) **Patent No.:** **US D594,849 S**
(45) **Date of Patent:** **** Jun. 23, 2009**

(54) **WIRELESS COMMUNICATION DEVICE
WITH CASING FOR AUDIO AND/OR VIDEO
PLAYER**

(75) Inventor: **Tung Fei Ko**, New Territories (HK)

(73) Assignee: **Hutchison Harbour Ring Enterprises
Limited**, Tortola (VG)

(**) Term: **14 Years**

(21) Appl. No.: **29/261,777**

(22) Filed: **Jun. 20, 2006**

(30) **Foreign Application Priority Data**

Dec. 22, 2005 (HK) 0503115

(51) **LOC (9) Cl.** **14-02**

(52) **U.S. Cl.** **D14/217; D3/218; D3/201**

(58) **Field of Classification Search** D14/142,
D14/149, 217, 251, 253, 432, 434, 435, 447,
D14/496; D13/107, 108, 118; D3/215, 218,
D3/318, 328; 248/221.11, 309.1, 175; 320/107,
320/110, 113-115; 361/600, 679, 683, 686;
439/529, 534; 455/556.1, 556.2, 557
See application file for complete search history.

(56) **References Cited**

U.S. PATENT DOCUMENTS

D419,160 S *	1/2000	Davidson et al.	D14/253
D432,528 S *	10/2000	Hartman et al.	D14/253
D442,141 S *	5/2001	Ikenaga	D13/107
D471,548 S *	3/2003	Zheng	D14/253
D486,785 S *	2/2004	Shindo	D13/107
D507,526 S *	7/2005	Ohta	D13/108
D517,007 S *	3/2006	Yong-Jian et al.	D13/108
D520,013 S *	5/2006	Yang	D14/434

D527,176 S *	8/2006	Andre et al.	D3/218
D535,252 S *	1/2007	Sandnes	D13/108
7,158,376 B2 *	1/2007	Richardson et al.	361/683
7,180,735 B2 *	2/2007	Thomas et al.	361/683
D540,539 S *	4/2007	Gutierrez	D14/496
D542,524 S *	5/2007	Richardson et al.	D3/218
D557,494 S *	12/2007	Mayette et al.	D3/218
D558,972 S *	1/2008	Oh	D3/218
D559,267 S *	1/2008	Griffin	D3/218
D569,607 S *	5/2008	Calco et al.	D3/218
D577,358 S *	9/2008	Kettula et al.	D14/253

* cited by examiner

Primary Examiner—Stella M Reid

Assistant Examiner—Keli L Hill

(74) *Attorney, Agent, or Firm*—Alix, Yale & Ristas, LLP

(57) **CLAIM**

The ornamental design for a wireless communication device with casing for audio and/or video player, as shown and described.

DESCRIPTION

FIG. 1 is a front, right side and top end perspective view of a wireless communication device with casing for audio and/or video player showing my new design;

FIG. 2 is a front elevational view thereof;

FIG. 3 is a rear elevational view thereof;

FIG. 4 is a left side elevational view thereof;

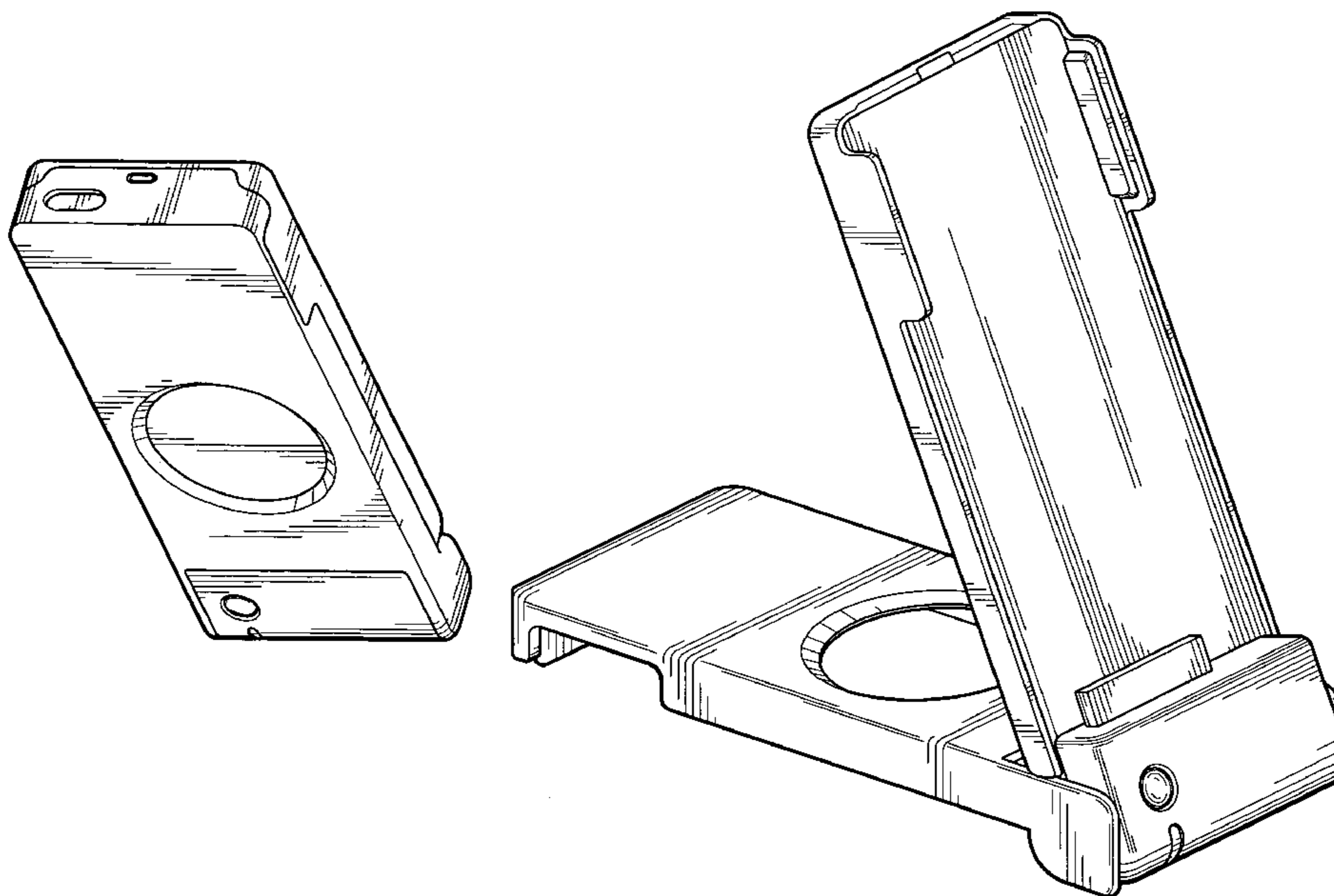
FIG. 5 is a right side elevational view thereof;

FIG. 6 is a top end view thereof;

FIG. 7 is a bottom end view thereof; and,

FIG. 8 is a front, left side and top end perspective view thereof in a use condition.

1 Claim, 3 Drawing Sheets



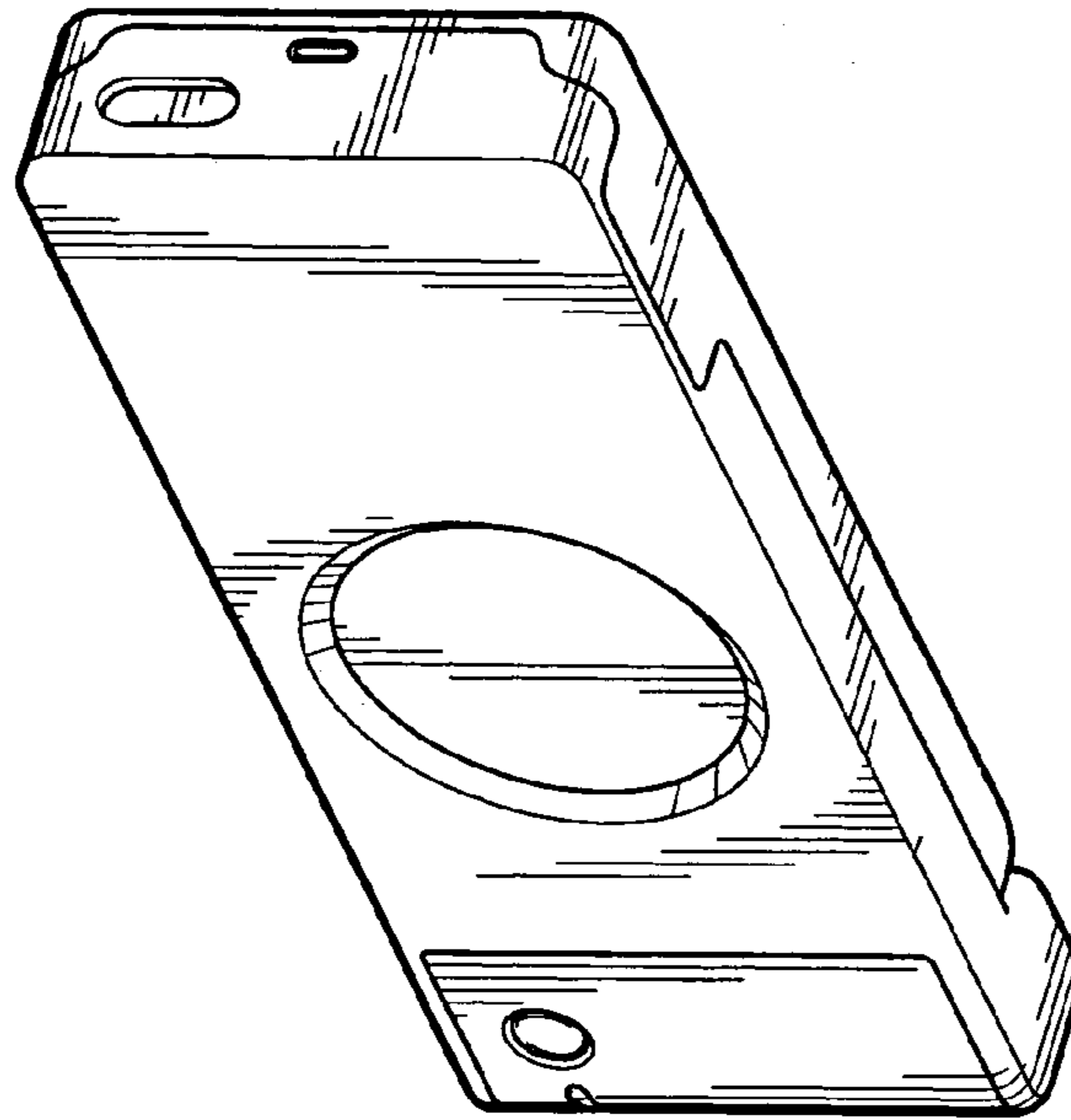


FIG. 1

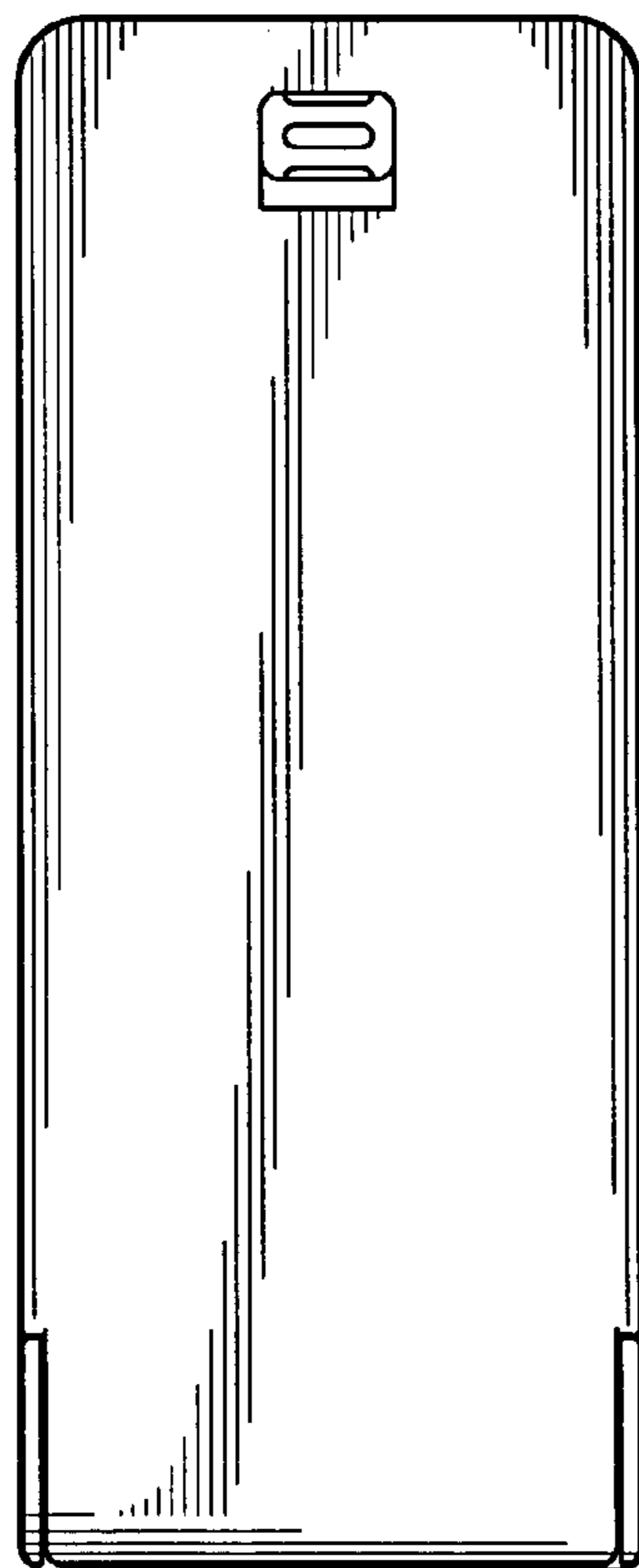


FIG. 3

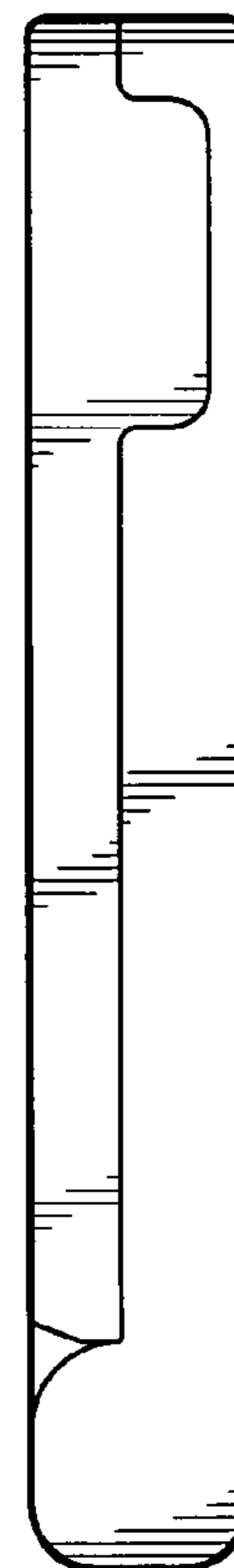


FIG. 4

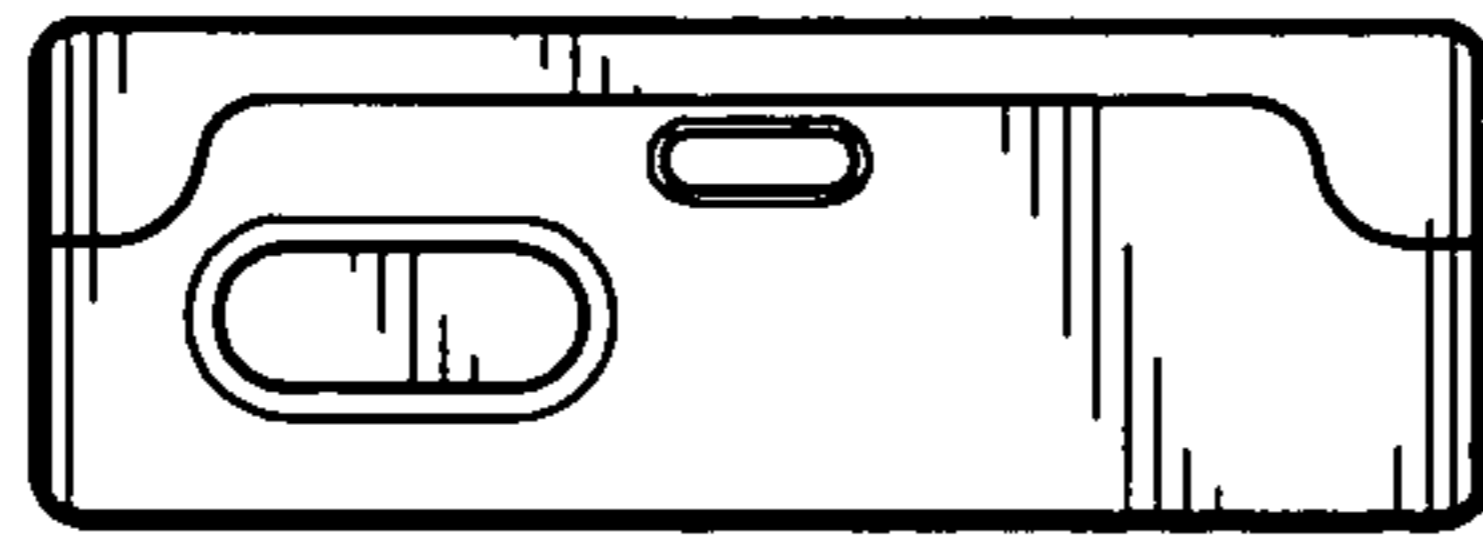


FIG. 6

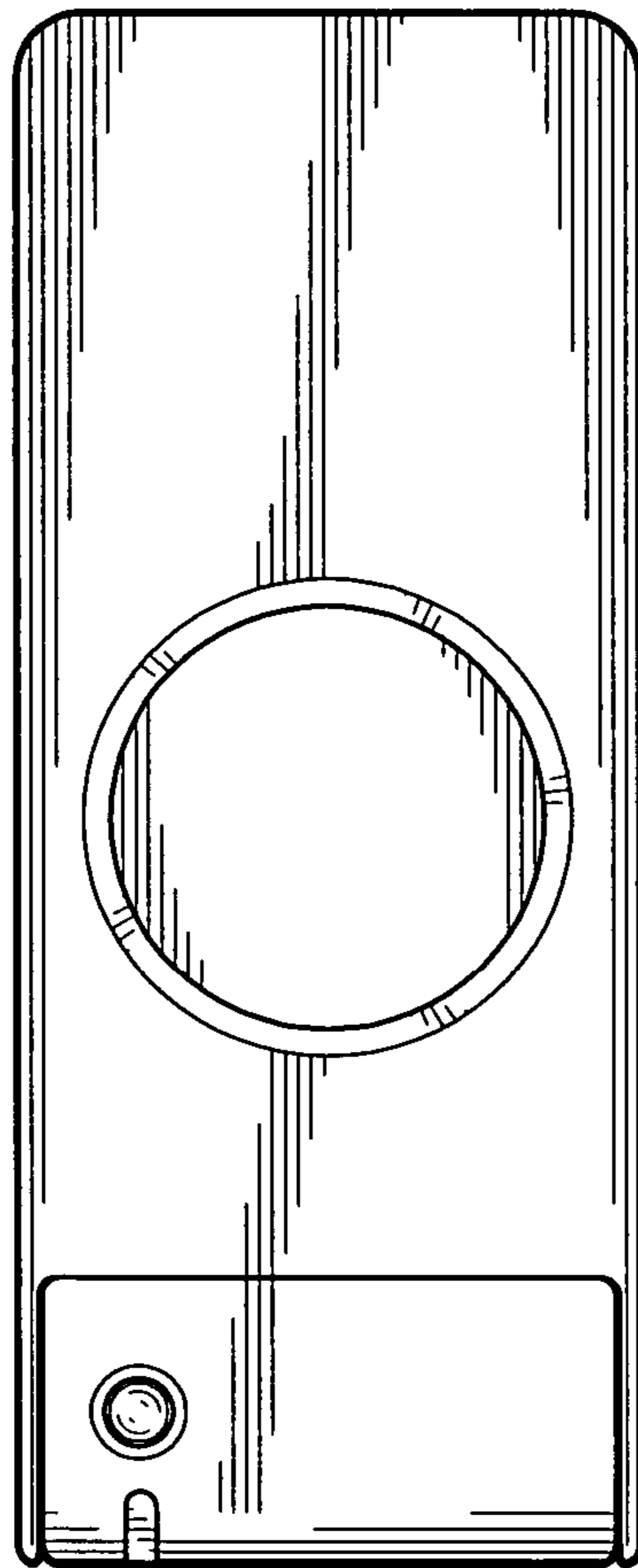


FIG. 2

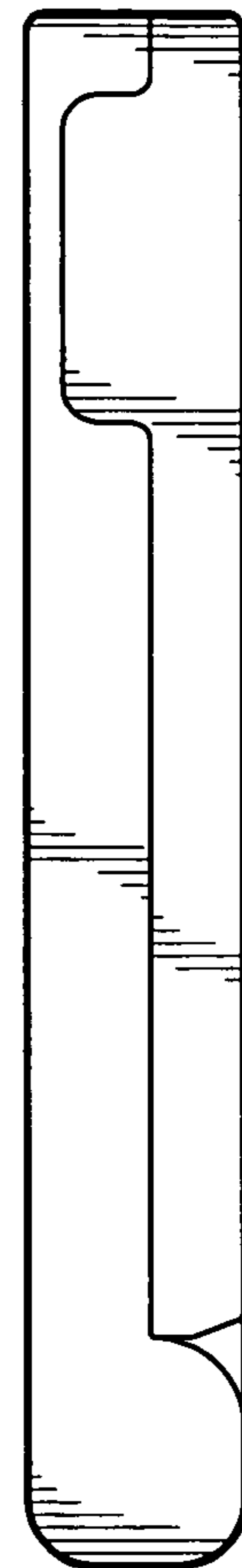


FIG. 5

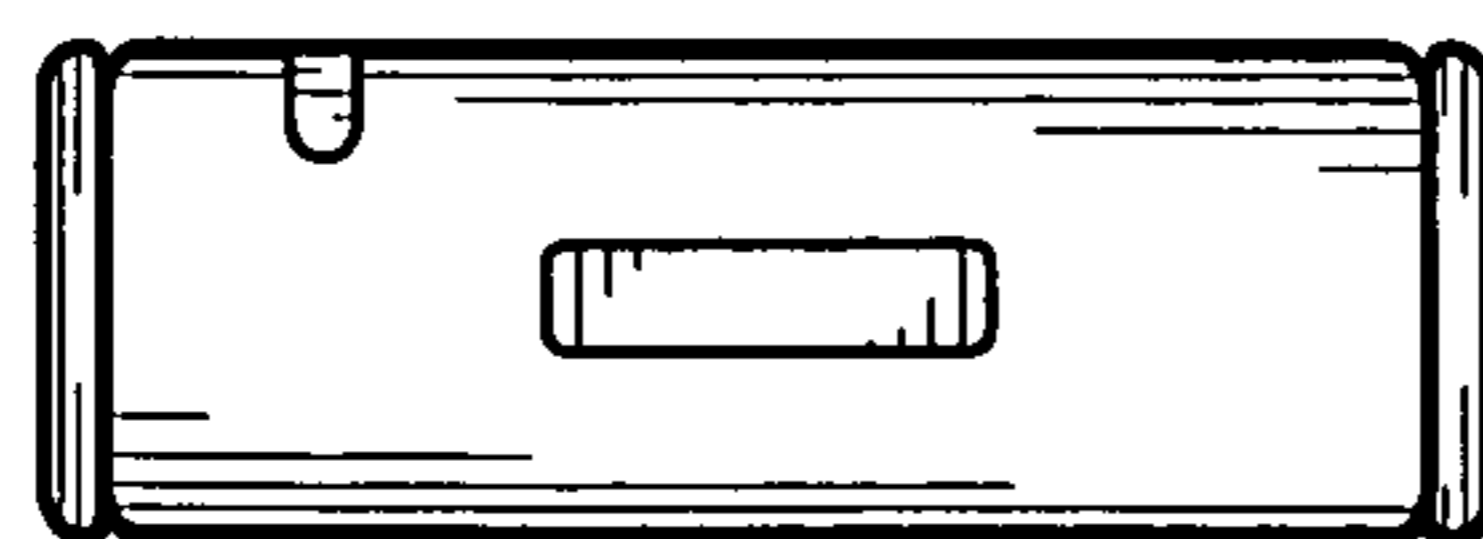


FIG. 7

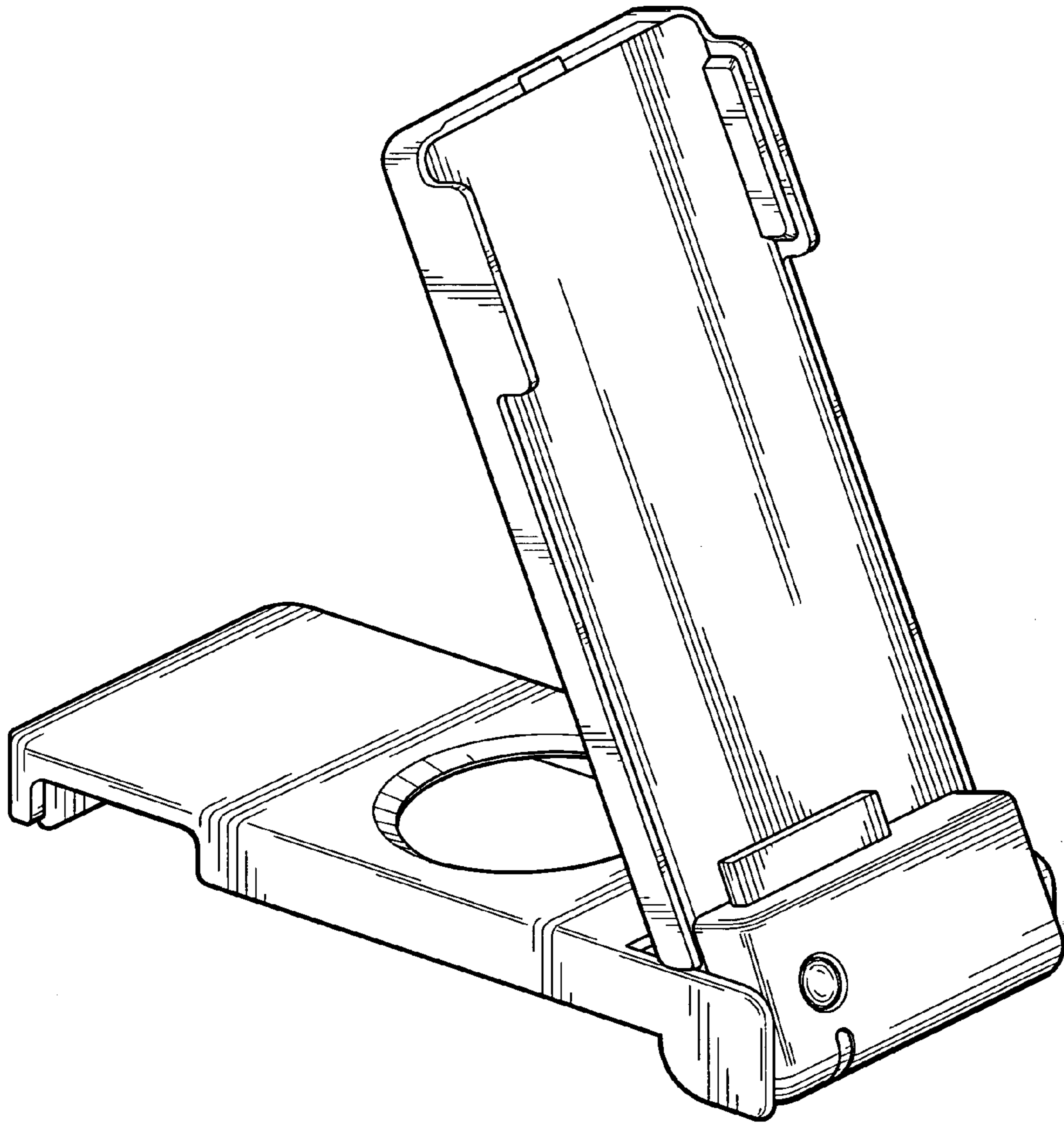


FIG.8