



US00D594846S

(12) **United States Design Patent**  
**Teulie**

(10) **Patent No.:** **US D594,846 S**  
(45) **Date of Patent:** **\*\* Jun. 23, 2009**

(54) **AMPLIFIER**

D565,537 S \* 4/2008 Teulie ..... D14/188

(75) Inventor: **Douglas W. Teulie**, Huntington Beach,  
CA (US)

\* cited by examiner

(73) Assignee: **QSC Audio Products, LLC**, Costa  
Mesa, CA (US)

*Primary Examiner*—Stella M Reid

*Assistant Examiner*—Keli L Hill

(74) *Attorney, Agent, or Firm*—Perkins Coie LLP

(\*\*) Term: **14 Years**

(57) **CLAIM**

(21) Appl. No.: **29/298,097**

The ornamental design for an amplifier, as shown and described.

(22) Filed: **Nov. 28, 2007**

**DESCRIPTION**

(51) **LOC (9) Cl.** ..... **14-03**

(52) **U.S. Cl.** ..... **D14/188**

(58) **Field of Classification Search** ..... D14/168,  
D14/169, 179, 188, 194–198, 215, 217, 257,  
D14/265, 299, 496; 330/1 R, 3, 4, 502; 381/86,  
381/120; 455/344–351

FIG. 1 is a front isometric view of an amplifier, showing my new design;

FIG. 2 is a front elevation view thereof.

FIG. 3 is a back elevation view thereof.

FIG. 4 is a top plan view thereof.

FIG. 5 is a bottom plan view thereof.

FIG. 6 is a right side elevation view thereof; and,

FIG. 7 is a left side elevation view thereof.

See application file for complete search history.

Any broken lines shown in the drawings are for illustrative purposes only and form no part of the claimed design.

(56) **References Cited**

**U.S. PATENT DOCUMENTS**

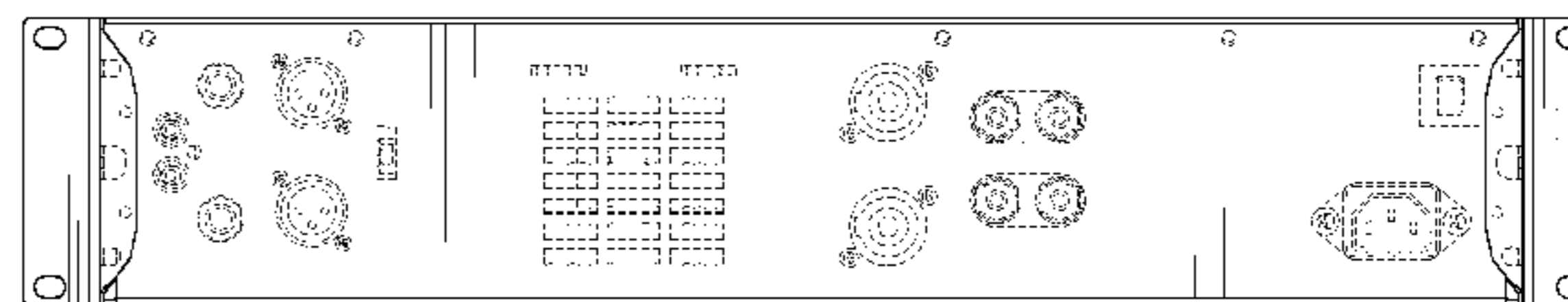
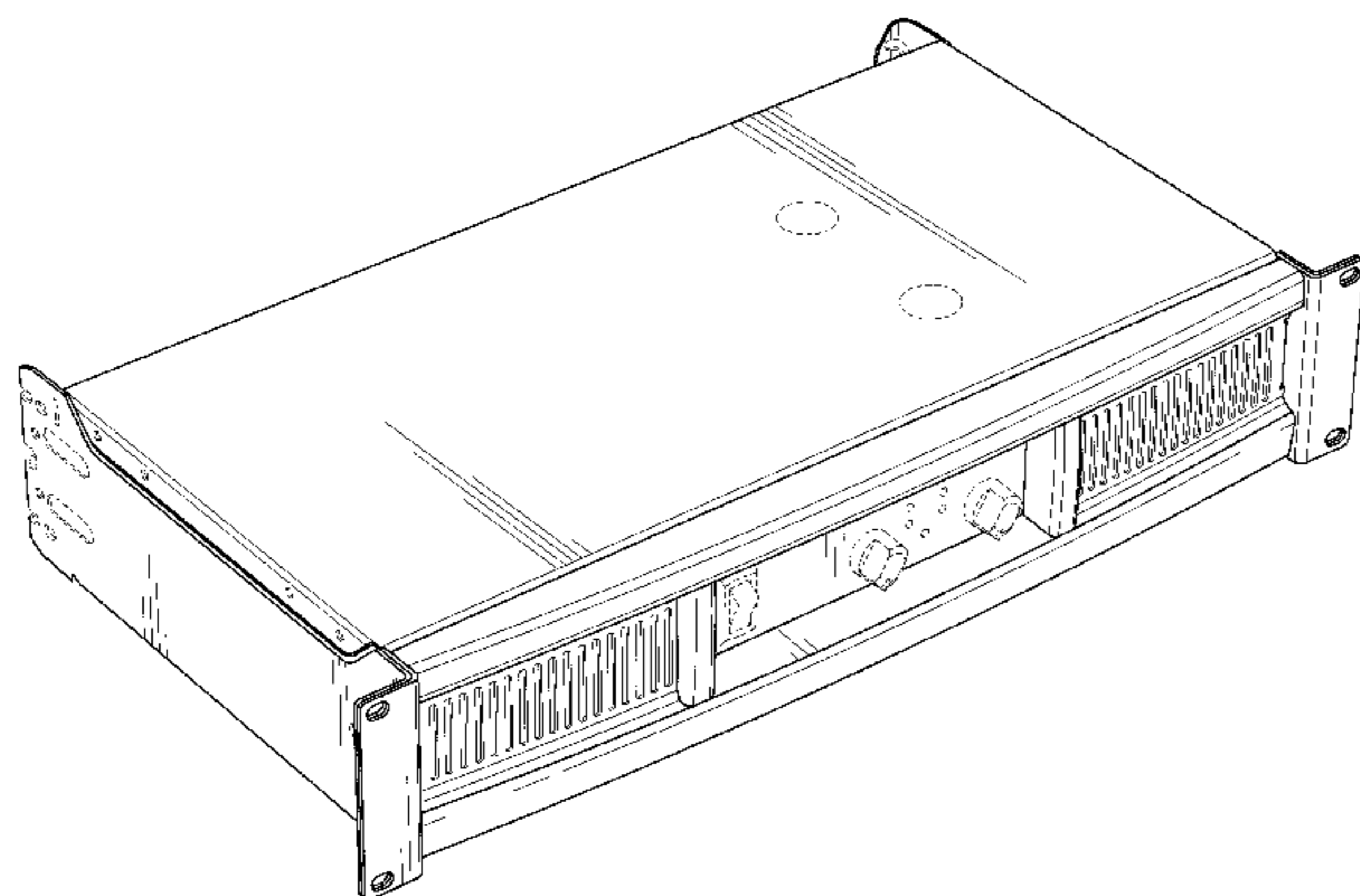
D315,554 S \* 3/1991 Hill ..... D14/357

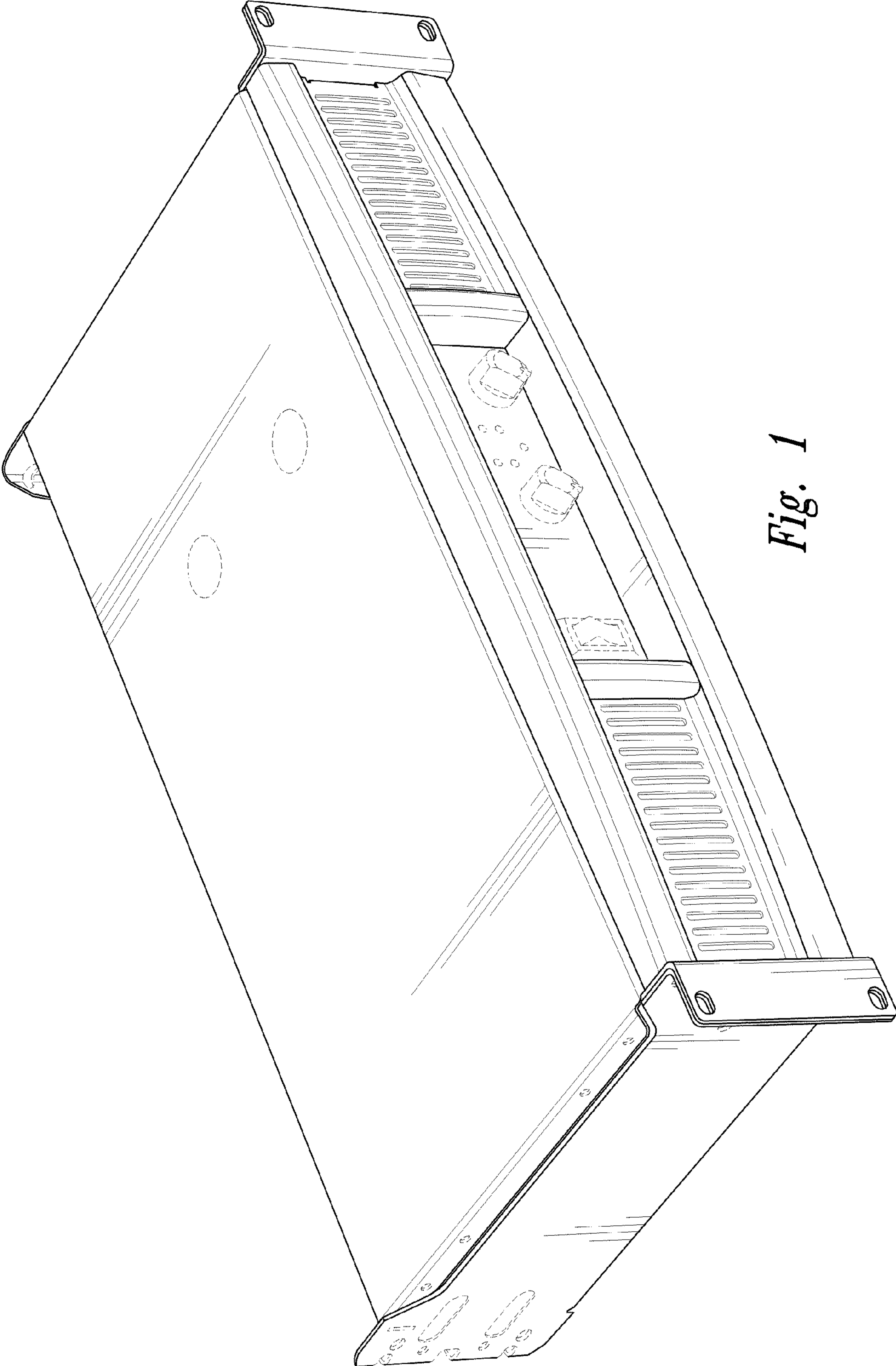
D347,844 S \* 6/1994 Diachyo ..... D14/198

D376,360 S \* 12/1996 Teulie ..... D14/188

D544,859 S \* 6/2007 Teulie ..... D14/257

**1 Claim, 5 Drawing Sheets**





*Fig. 1*

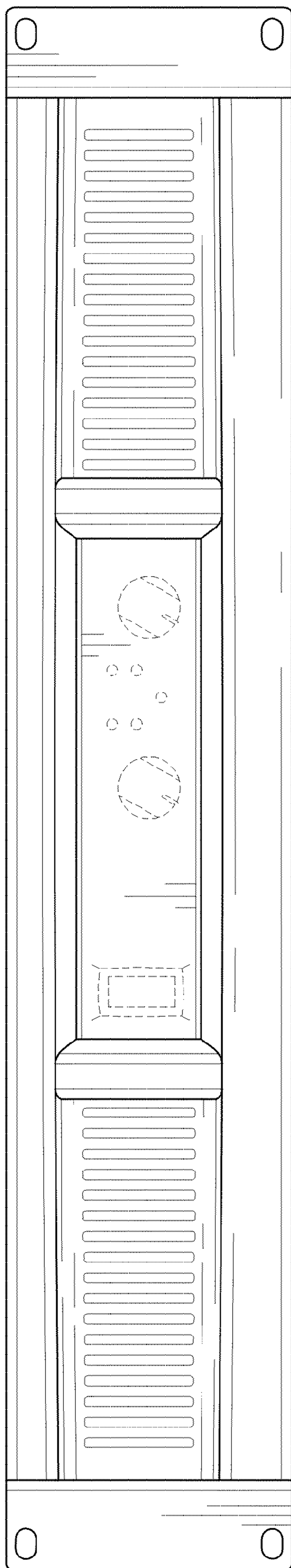


Fig. 2

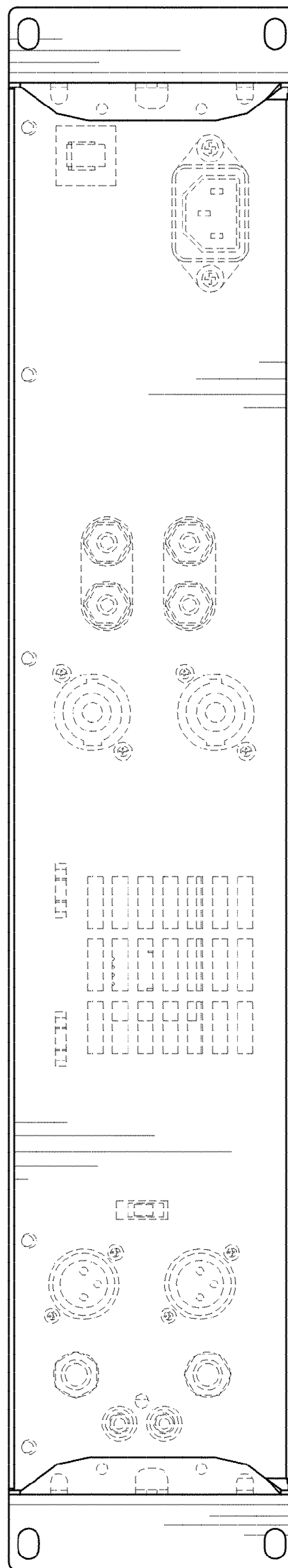
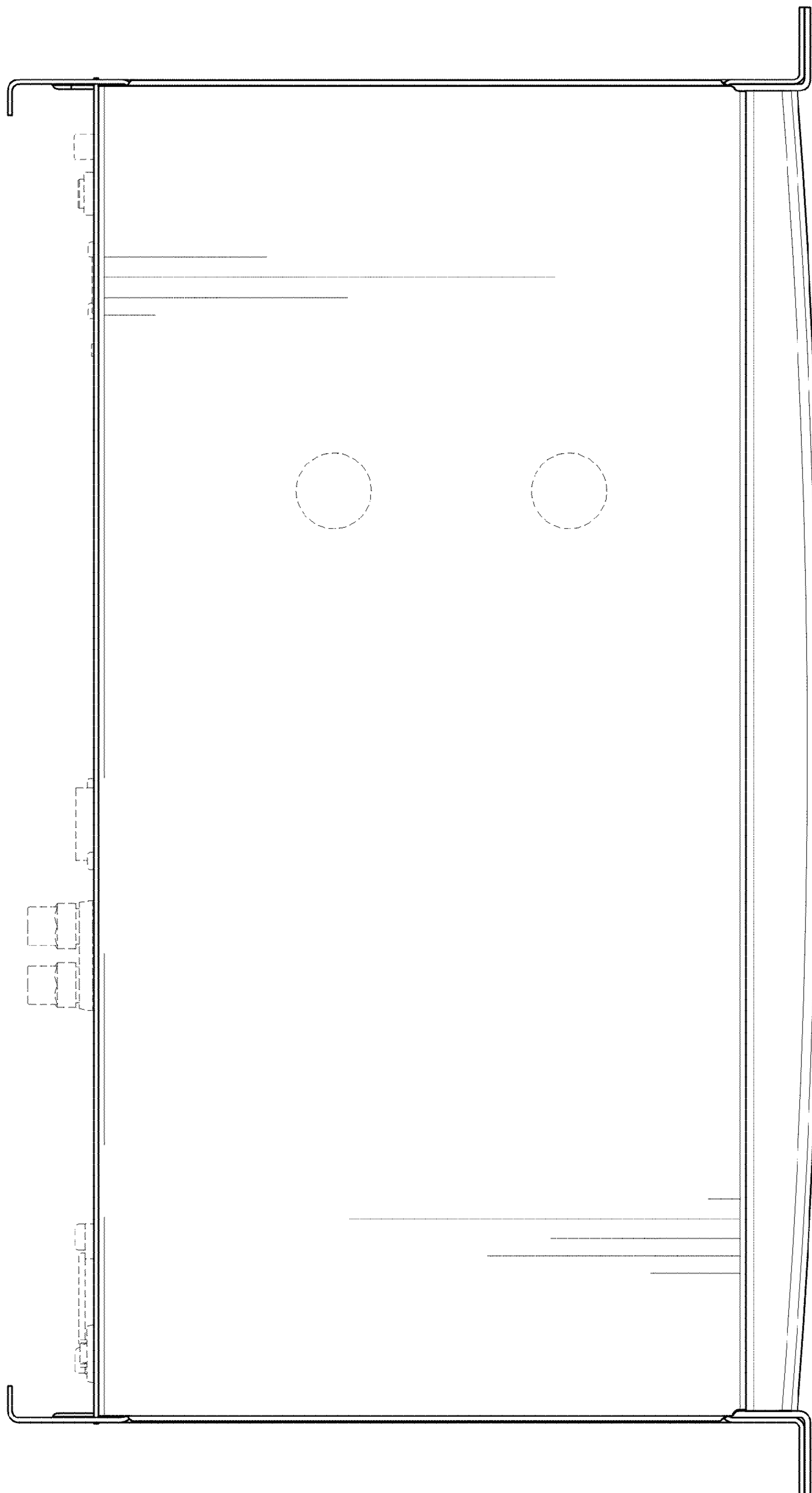
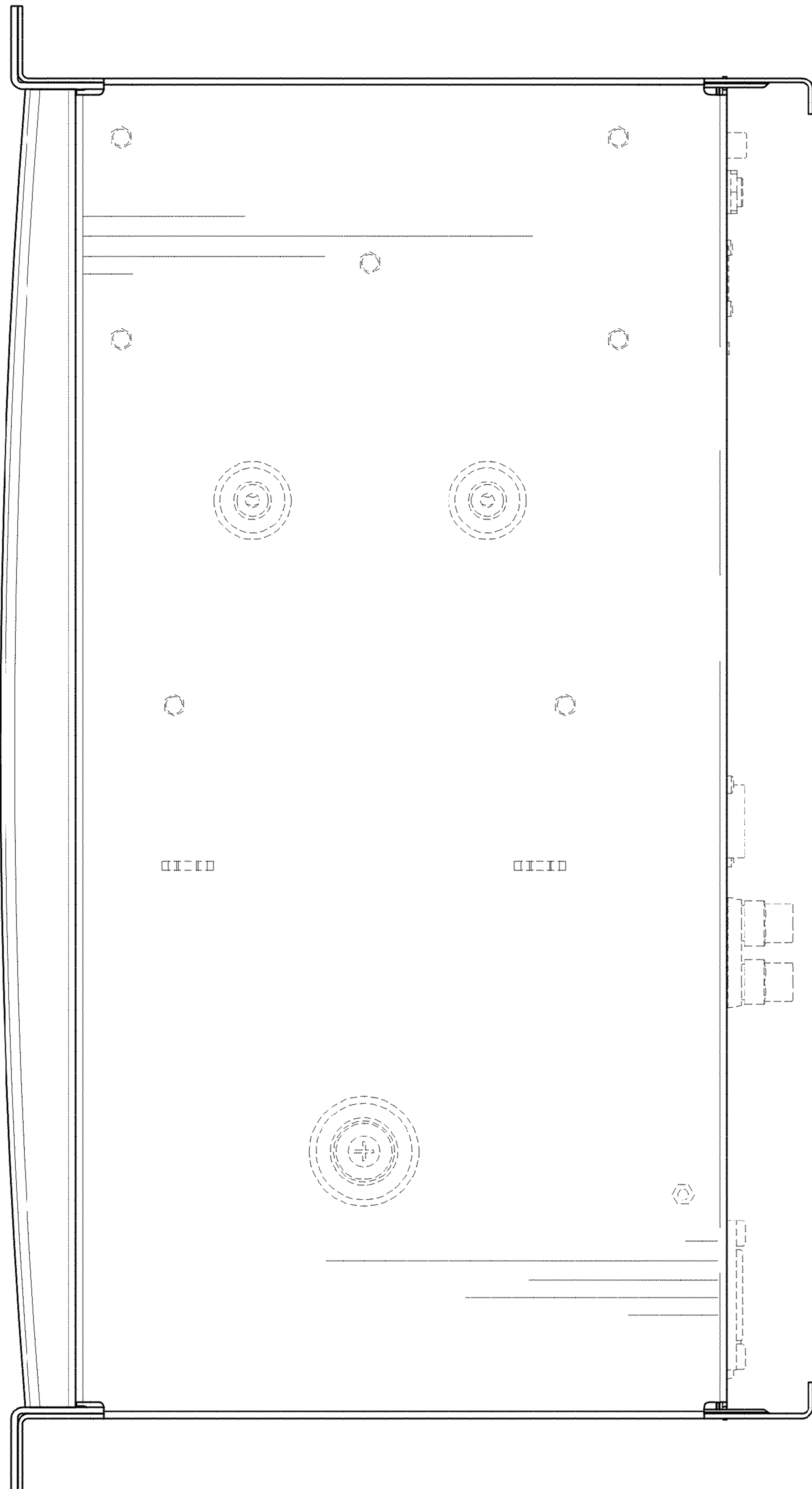


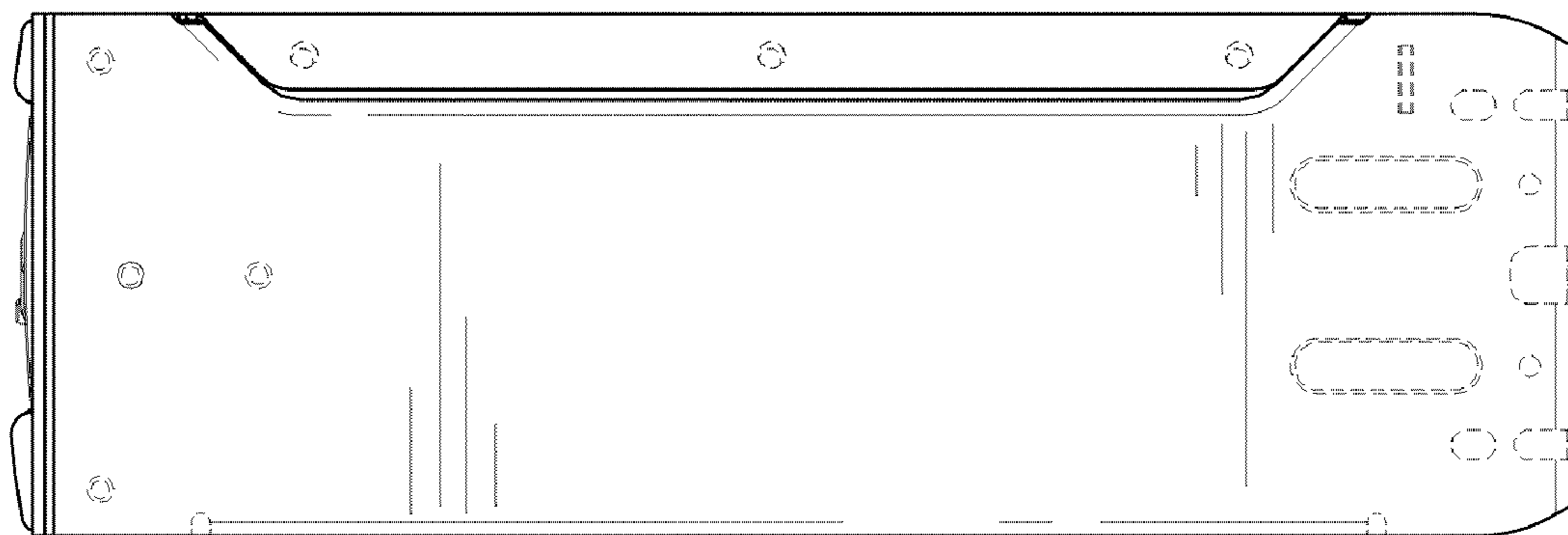
Fig. 3



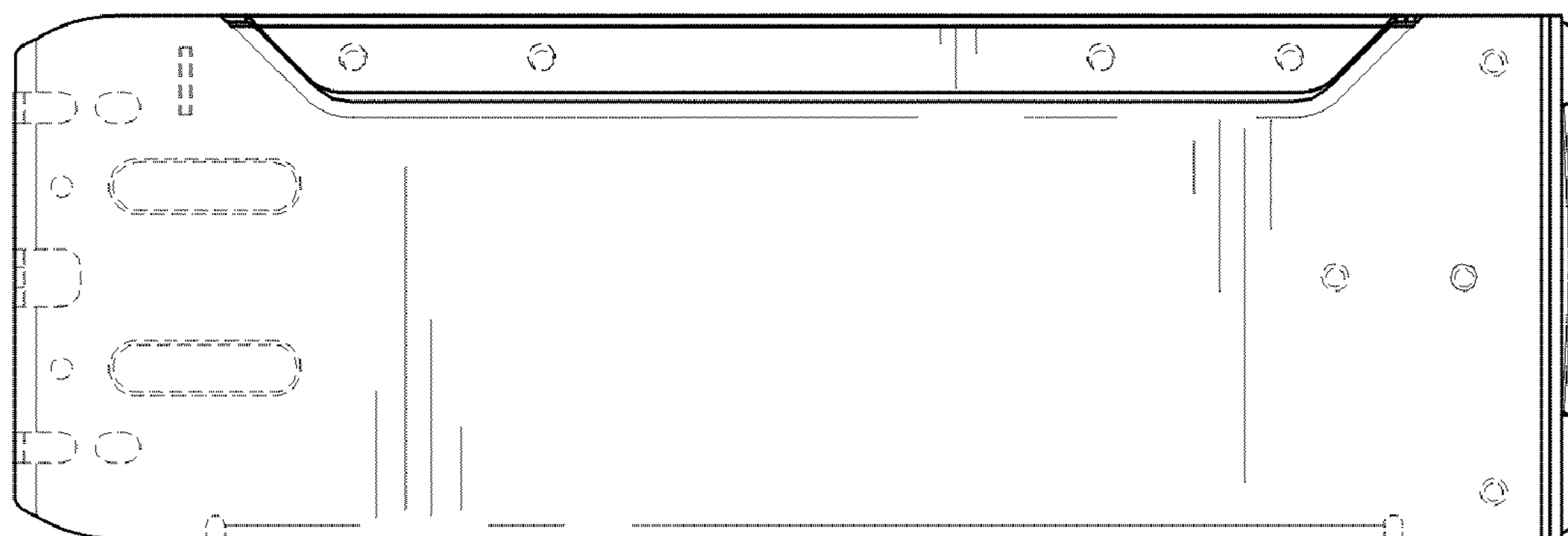
*Fig. 4*



*Fig. 5*



*Fig. 6*



*Fig. 7*