



US00D594845S

(12) **United States Design Patent**
Skurdal

(10) **Patent No.:** **US D594,845 S**
(45) **Date of Patent:** **** Jun. 23, 2009**

(54) **ALARM CLOCK SPEAKER SYSTEM FOR MEDIA PLAYER**

D503,395 S * 3/2005 Hirano D14/168

* cited by examiner

(75) Inventor: **Andrew Skurdal**, Jersey City, NJ (US)

Primary Examiner—Nanda Bondade

(73) Assignee: **SDI Technologies Inc.**, Rahway, NJ (US)

(74) *Attorney, Agent, or Firm*—Ostrolenk, Faber, Gerb & Soffen, LLP

(**) Term: **14 Years**

(57) **CLAIM**

(21) Appl. No.: **29/321,440**

The ornamental design for alarm clock speaker system for media player, as shown and described.

(22) Filed: **Jul. 16, 2008**

DESCRIPTION

(51) **LOC (9) Cl.** **14-01**

FIG. 1 is a front, right side, perspective view of an alarm clock speaker system for media player showing my new design;

(52) **U.S. Cl.** **D14/168; D14/171; D10/2**

FIG. 2 is a front view thereof;

(58) **Field of Classification Search** D14/496,

FIG. 3 is a rear view thereof;

D14/498–511, 167–168, 188, 197–198, 169–172;

FIG. 4 is a right side view thereof;

360/99.02, 99.07; 369/75.11, 75.21, 77.11,

FIG. 5 is a left side view thereof;

369/77.21; 720/601, 612, 619, 649, 655;

FIG. 6 is a top view thereof;

455/344, 347–351; D10/2, 15

FIG. 7 is a bottom view thereof;

See application file for complete search history.

FIG. 8 is a cross sectional view thereof on line 8—8 in FIG. 2; and,

(56) **References Cited**

U.S. PATENT DOCUMENTS

FIG. 9 is a cross sectional view thereof on line 9—9 in FIG. 2.

D304,453 S * 11/1989 Matsushima D14/170

The broken line showing is of environmental material and forms no part of the claimed design.

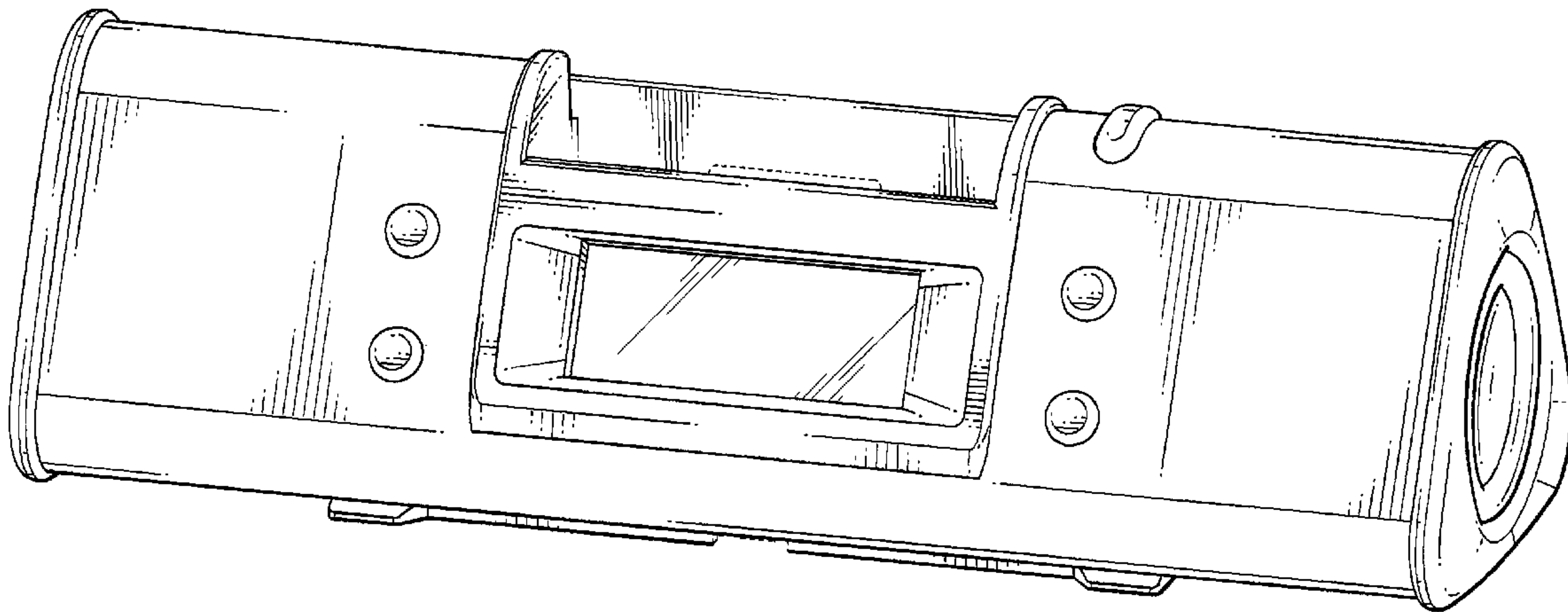
D306,731 S * 3/1990 Weisz et al. D14/168

D421,436 S * 3/2000 Matsuoka D14/500

D486,470 S * 2/2004 Hakoda D14/171

D501,841 S * 2/2005 Hsu D14/171

1 Claim, 7 Drawing Sheets



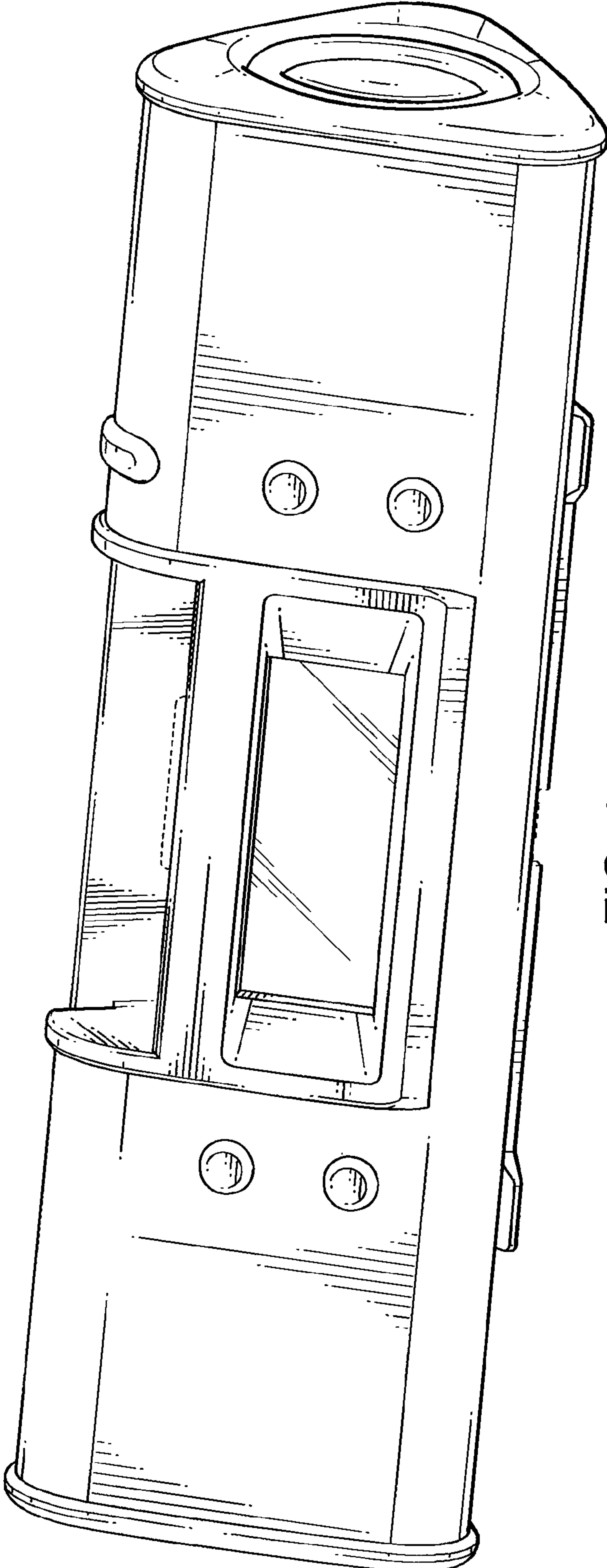
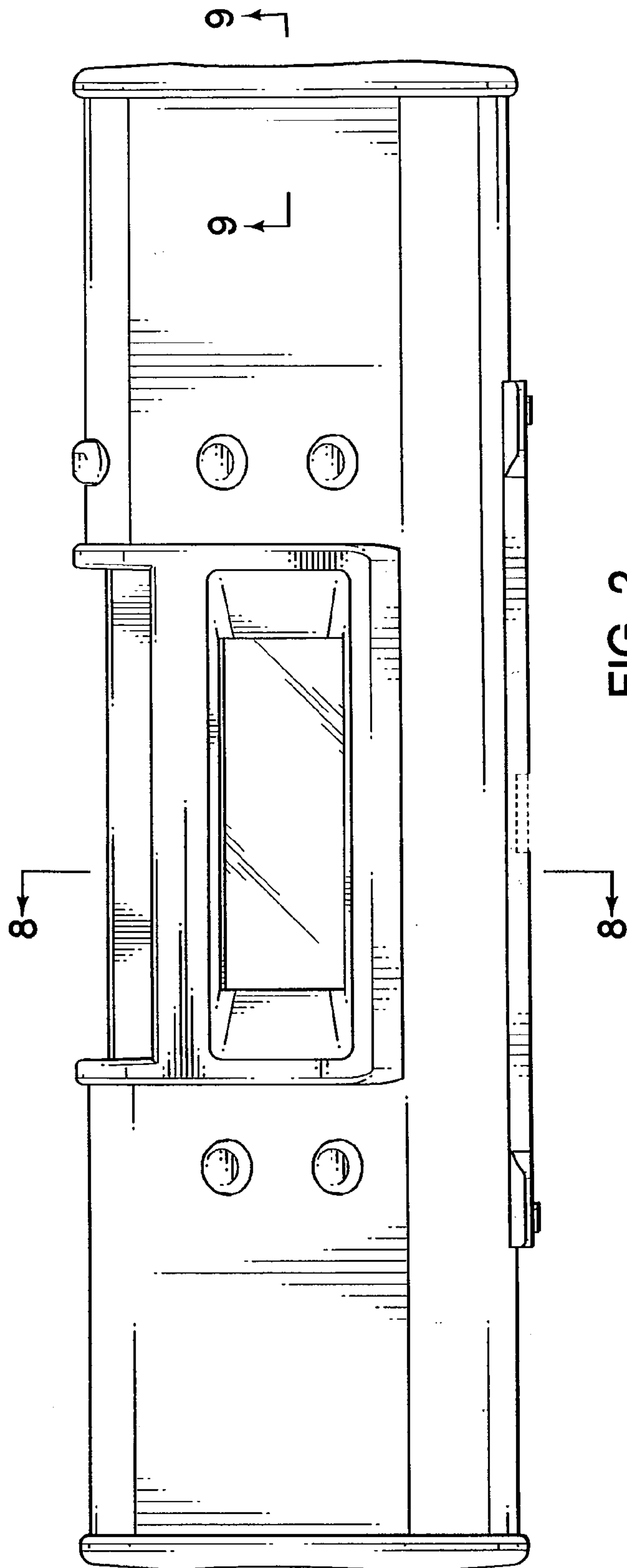


FIG. 1



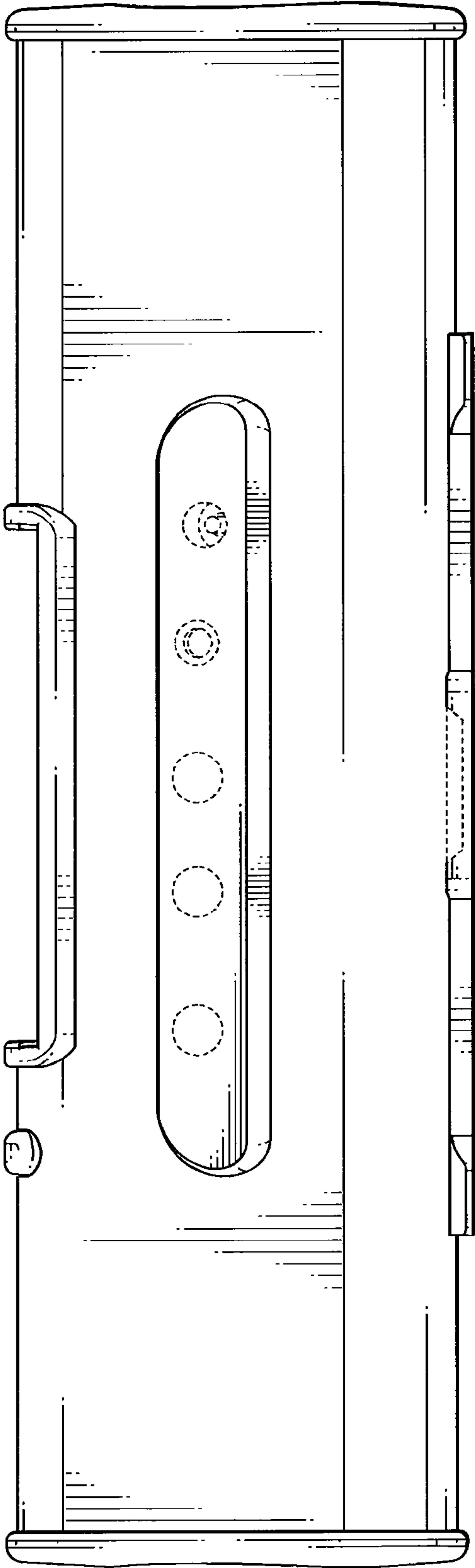


FIG. 3

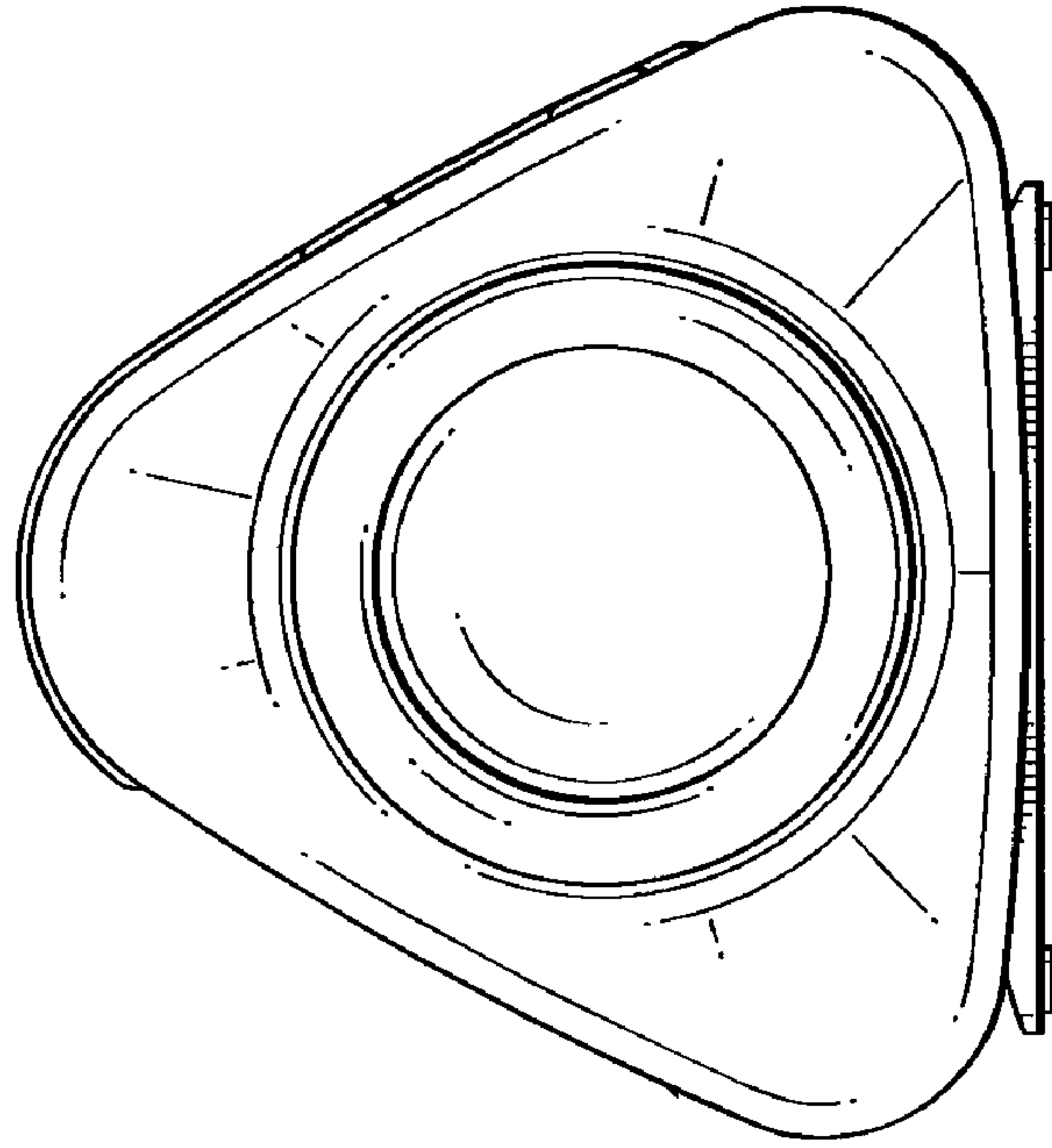


FIG. 5

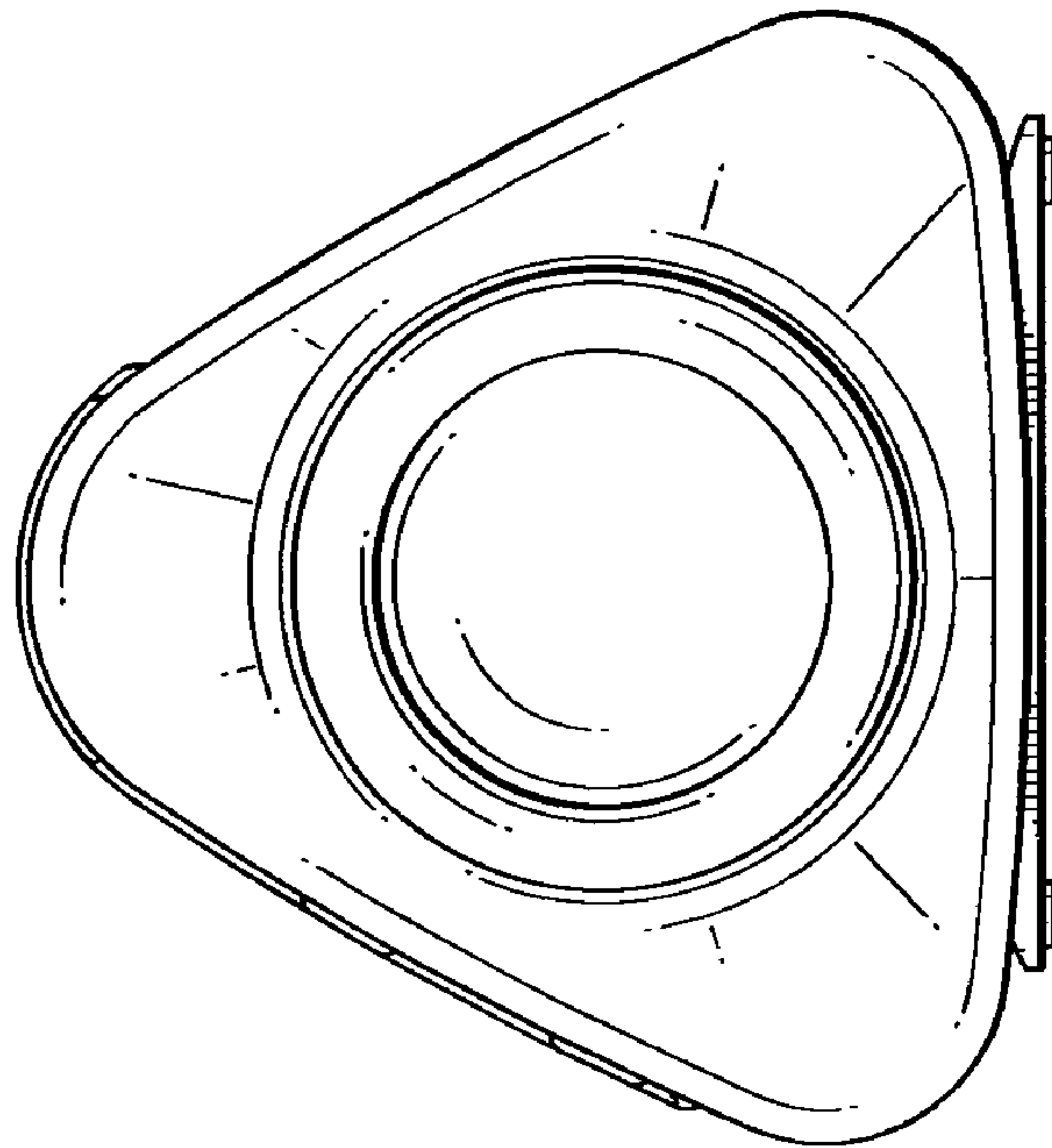


FIG. 4

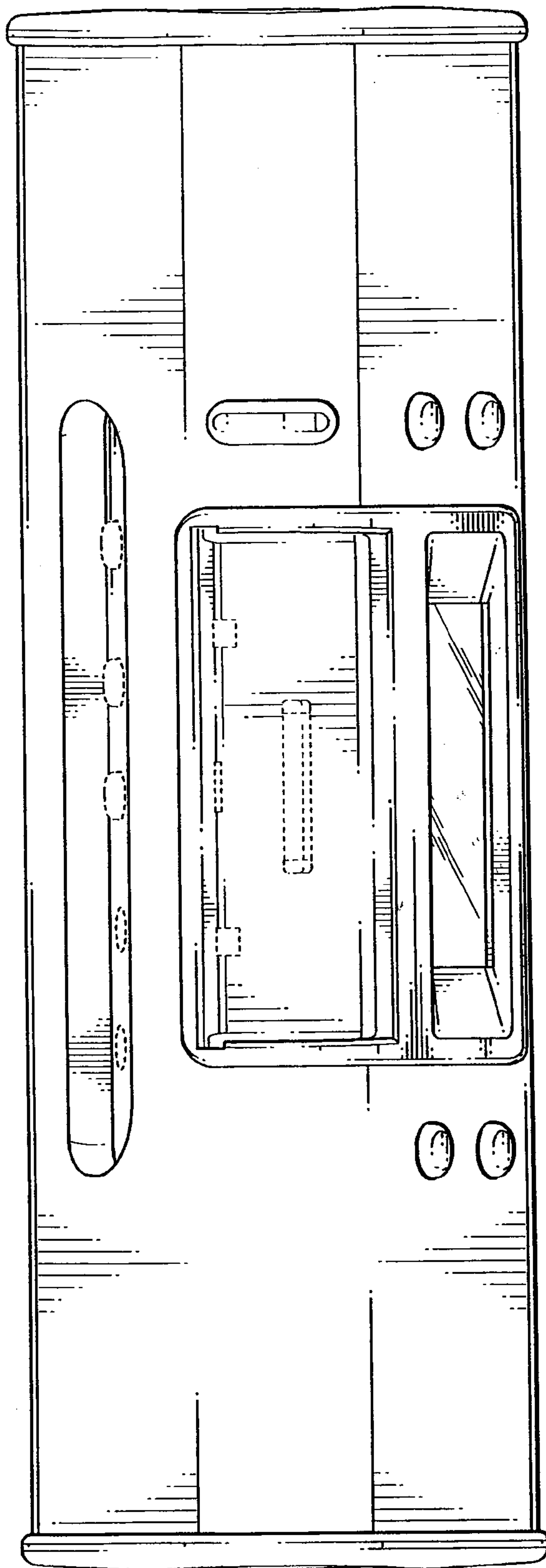


FIG. 6

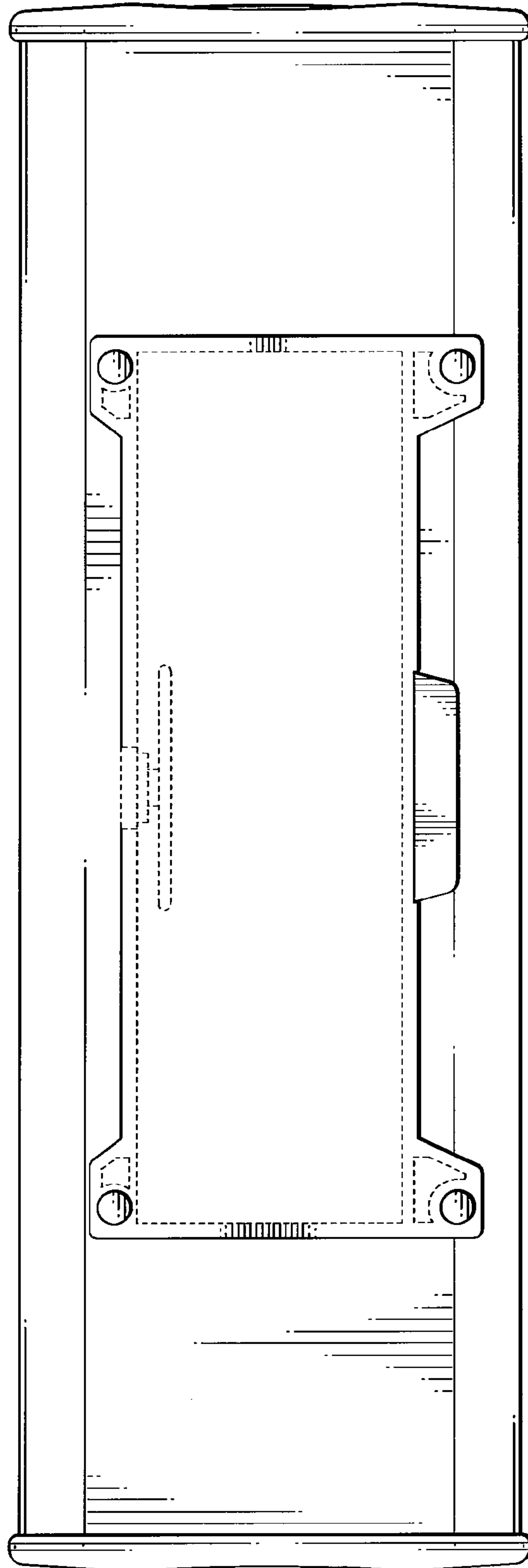


FIG. 7

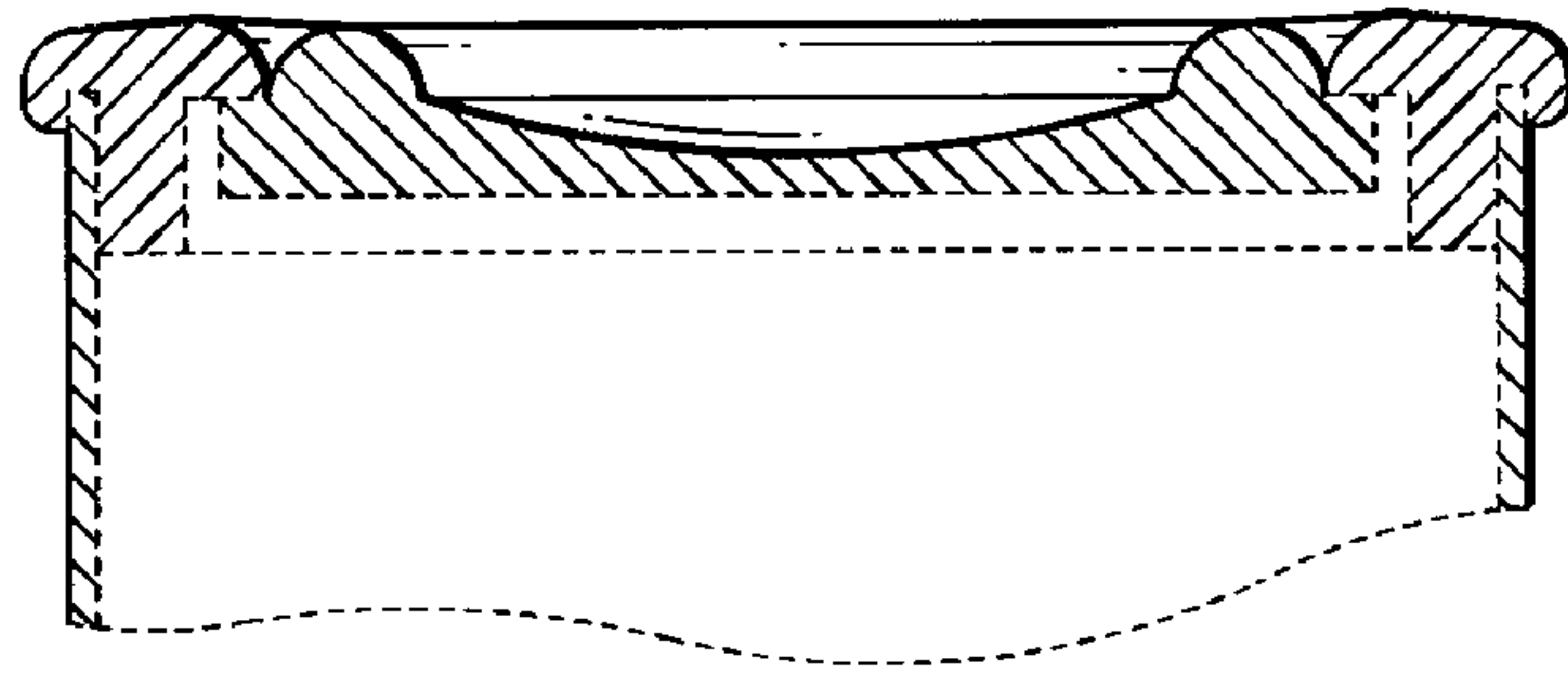


FIG. 9

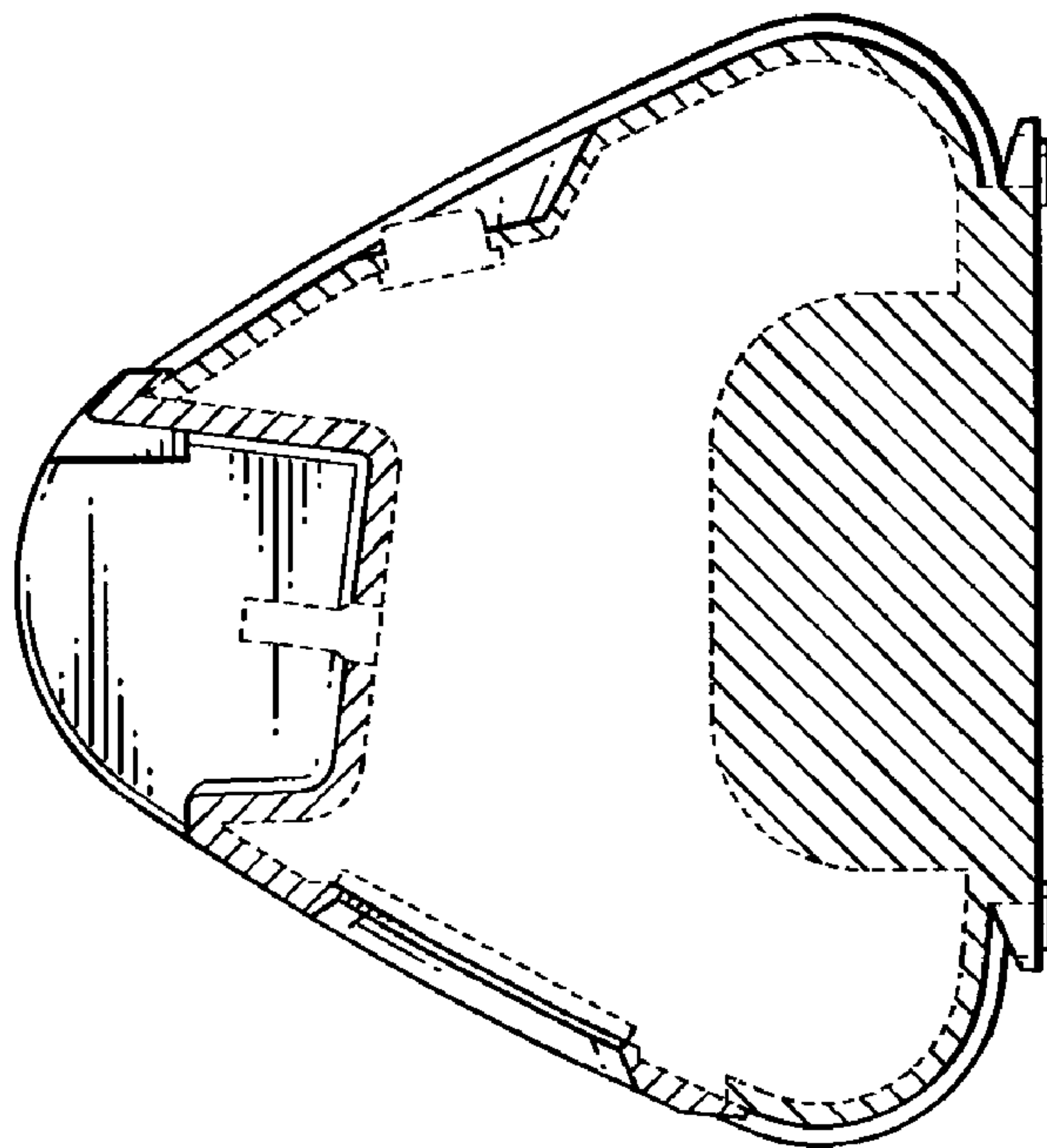


FIG. 8