



US00D594844S

(12) **United States Design Patent**  
**Di Leo**

(10) **Patent No.:** **US D594,844 S**  
(45) **Date of Patent:** **\*\* Jun. 23, 2009**

(54) **PUBLIC COMMUNICATIONS TERMINAL**

D558,498 S \* 1/2008 Morris ..... D6/553  
D559,210 S \* 1/2008 Brown et al. .... D14/130

(76) Inventor: **Walter Di Leo**, 13300 SW 69 Ave.,  
Miami, FL (US) 33156

**OTHER PUBLICATIONS**

(\*\*) Term: **14 Years**

Fixed line public telephone POS terminal Model No. KMY801A,  
<URL:http://www.alibaba.com/product-free/104412554/  
fixed\_line\_public\_telephone\_POS\_terminal.htm>, retrieved  
from internet Feb. 14, 2009.\*

(21) Appl. No.: **29/308,620**

Wall Mounted Kiosk (touchscreen kiosk with phone) Model No.  
KIOW106, <URL:http://www.alibaba.com/product-gs/213757022/  
Wall\_Mounted\_KIOSK\_touchscreen\_kiosk\_with.html>,  
retrieved from internet Feb. 14, 2009.\*

(22) Filed: **Jun. 26, 2008**

(51) **LOC (9) Cl.** ..... **14-03**

(52) **U.S. Cl.** ..... **D14/146**

(58) **Field of Classification Search** ..... D14/129-130,  
D14/144, 146, 149-151, 159, 240, 300, 302,  
D14/307, 329, 331, 335, 340, 342; D6/555;  
D20/10; D99/28; 379/419, 420.01-420.04,  
379/428.01-428.04, 440, 454

\* cited by examiner

See application file for complete search history.

*Primary Examiner*—Ian Simmons

*Assistant Examiner*—Carla Jobe Wright

(74) *Attorney, Agent, or Firm*—Ekse Law Firm, PC; Mark A.  
Ekse

(56) **References Cited**

**U.S. PATENT DOCUMENTS**

D251,427 S *	3/1979	Harrison	.....	D14/151
D265,558 S *	7/1982	Fox et al.	.....	D14/146
D269,271 S *	6/1983	Sottsass	.....	D14/335
4,900,905 A *	2/1990	Pusic	.....	235/381
D323,656 S *	2/1992	McGarvey et al.	.....	D14/146
D354,047 S *	1/1995	Leggate et al.	.....	D14/329
5,475,741 A *	12/1995	Davis et al.	.....	379/102.06
D392,946 S *	3/1998	Elkins	.....	D14/329
D395,129 S *	6/1998	Johnson	.....	D99/28
D404,025 S *	1/1999	Van Horne et al.	.....	D14/331
D414,485 S *	9/1999	Hazan	.....	D14/130
D424,049 S *	5/2000	Ho et al.	.....	D14/130
D434,758 S *	12/2000	DiPippo	.....	D14/333
D458,914 S *	6/2002	Devane et al.	.....	D14/146
D469,420 S *	1/2003	Parsadayan	.....	D14/159
D471,192 S *	3/2003	Lin et al.	.....	D14/335
D493,432 S *	7/2004	Hesse et al.	.....	D14/129
D532,417 S *	11/2006	Becker et al.	.....	D14/307
D551,224 S *	9/2007	Hatling et al.	.....	D14/331

(57) **CLAIM**

The ornamental design for a public communications terminal, as shown and described.

**DESCRIPTION**

FIG. 1 is a perspective view of the public communications terminal of the present invention;

FIG. 2 is a front view thereof;

FIG. 3 is a rear view thereof;

FIG. 4 is a left side view thereof;

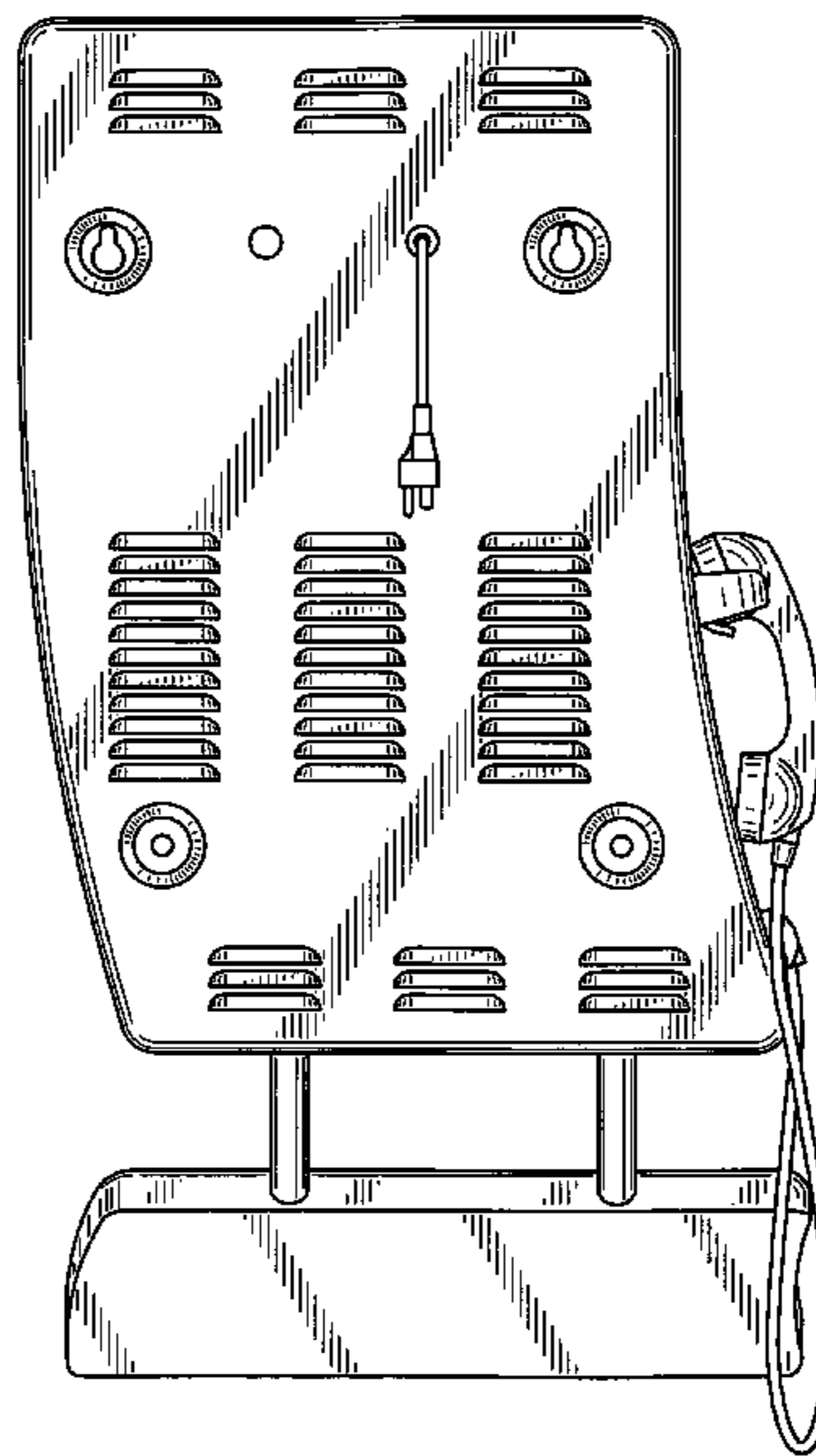
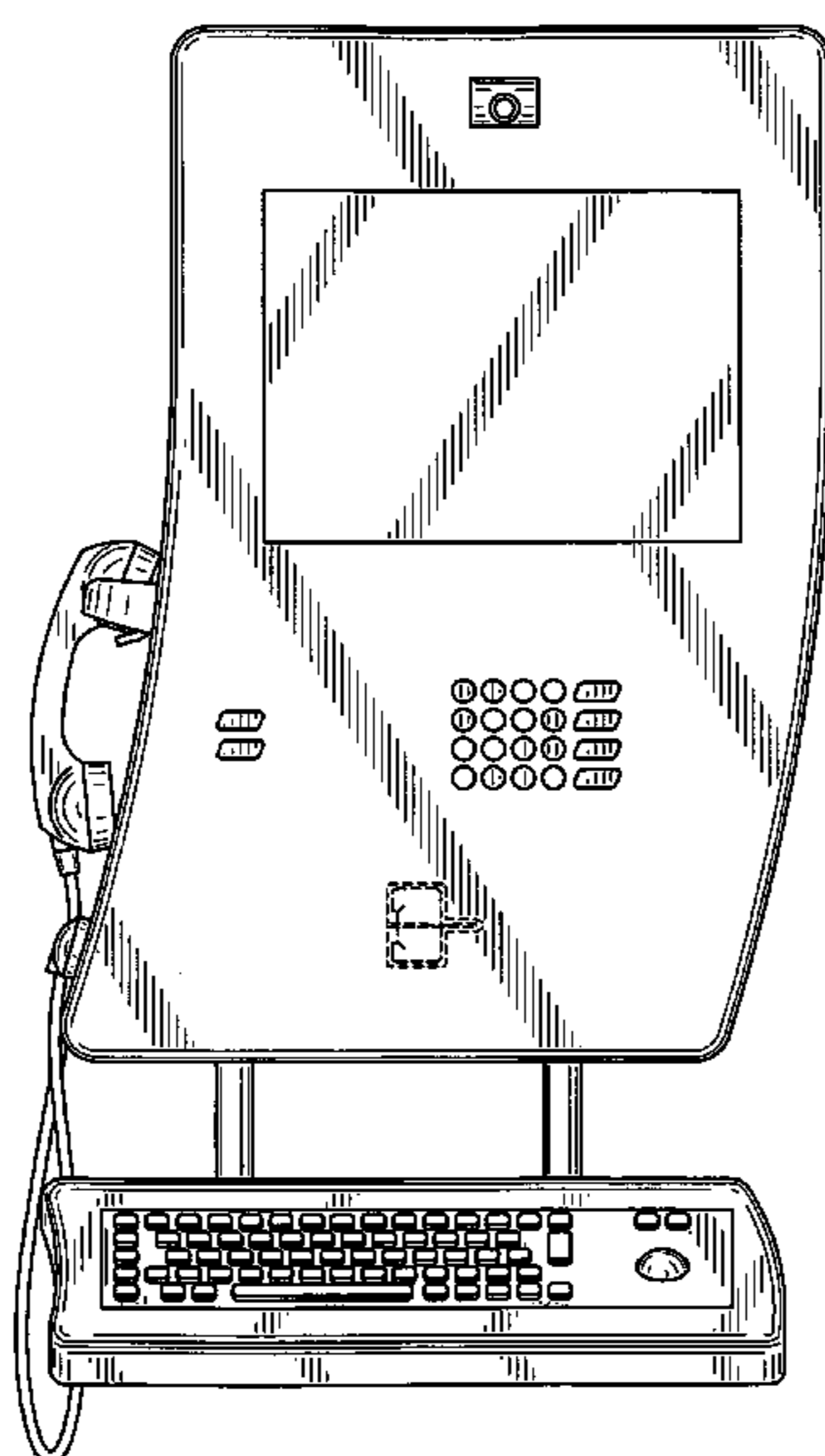
FIG. 5 is a right side view thereof;

FIG. 6 is a top view thereof; and,

FIG. 7 is a bottom view thereof.

The broken line showing of environmental structures in FIGS. 1 and 2 is for illustrative purposes only and forms no part of the claimed design.

**1 Claim, 5 Drawing Sheets**



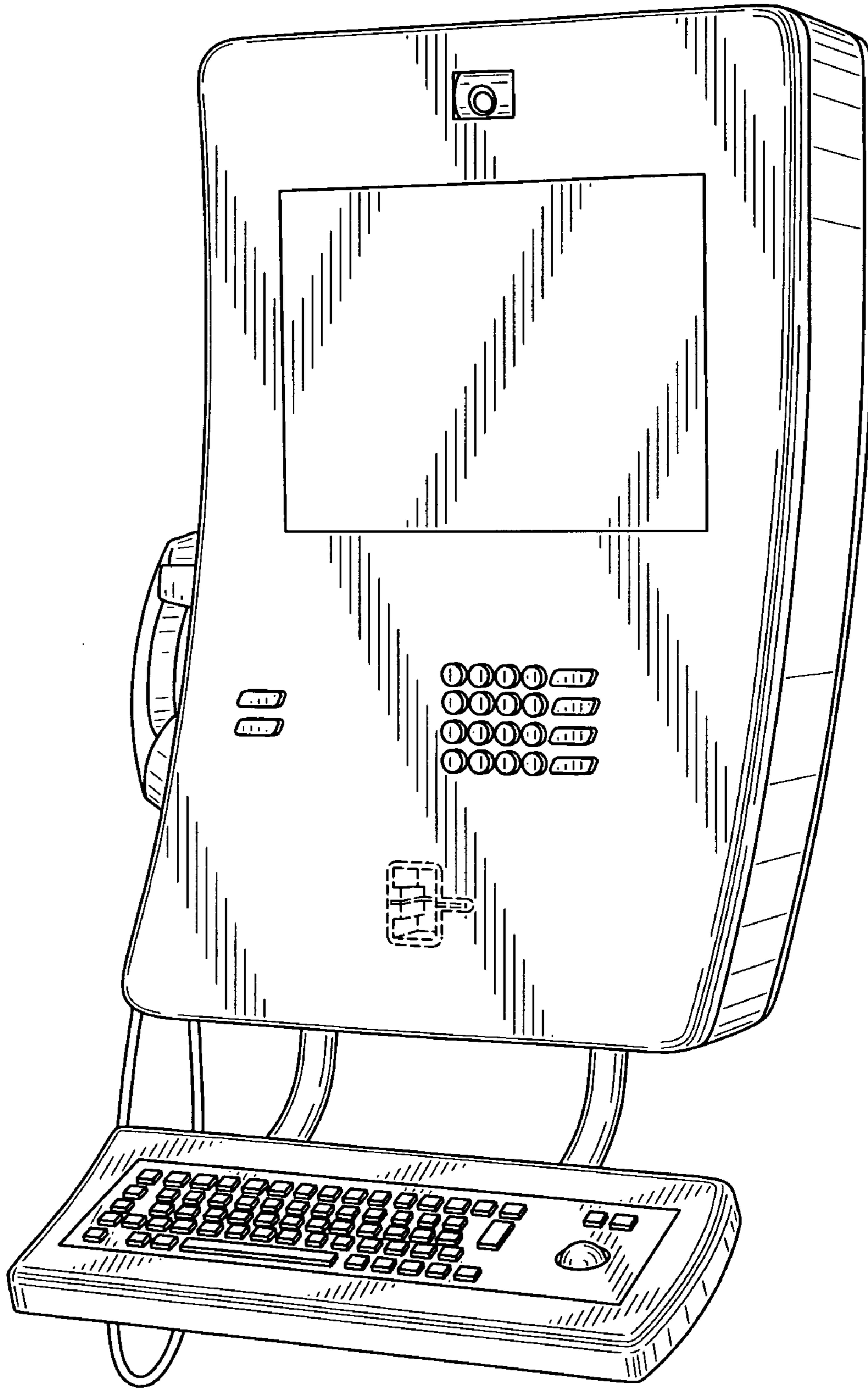


FIG. 1

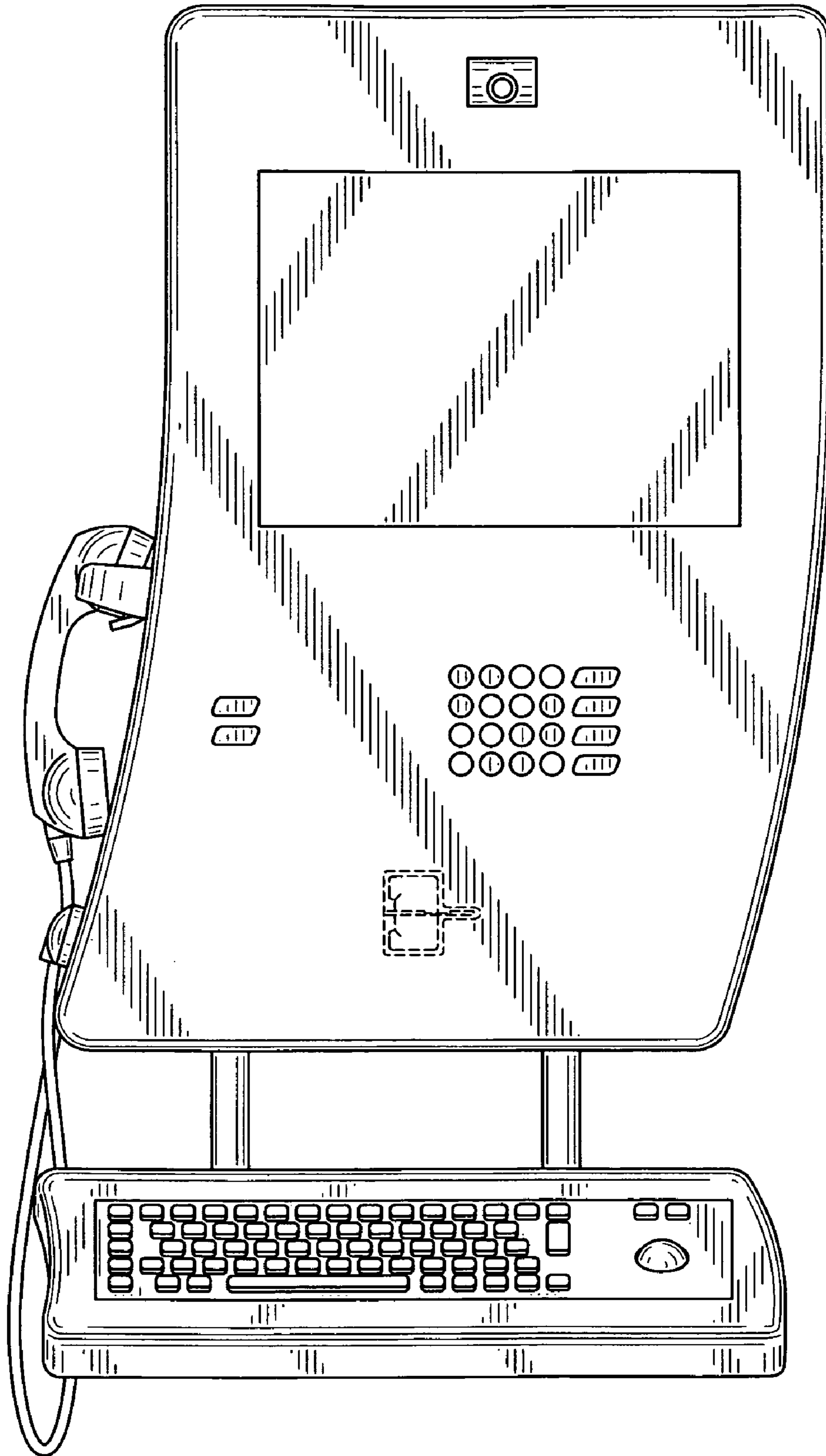


FIG. 2

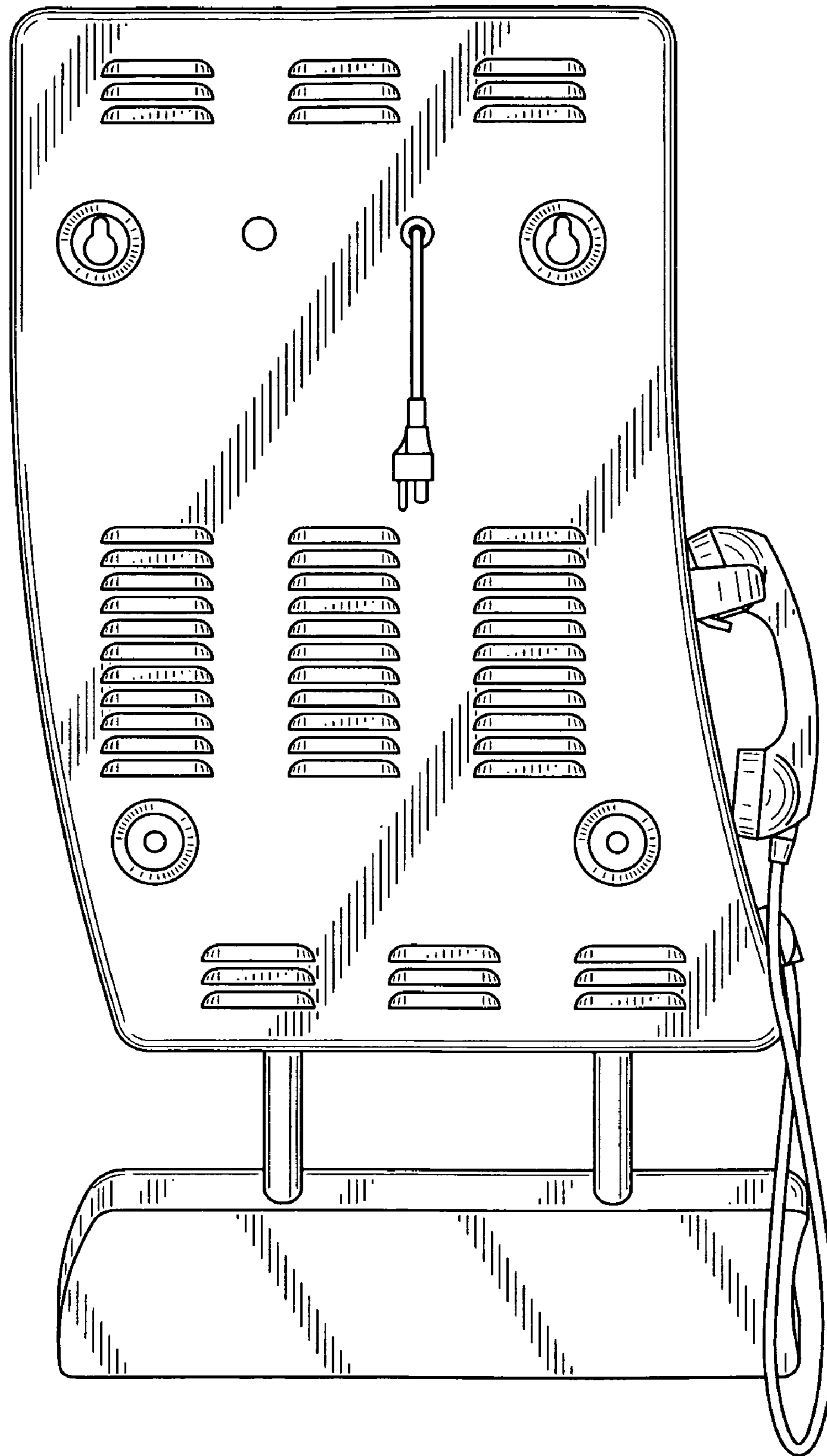


FIG. 3

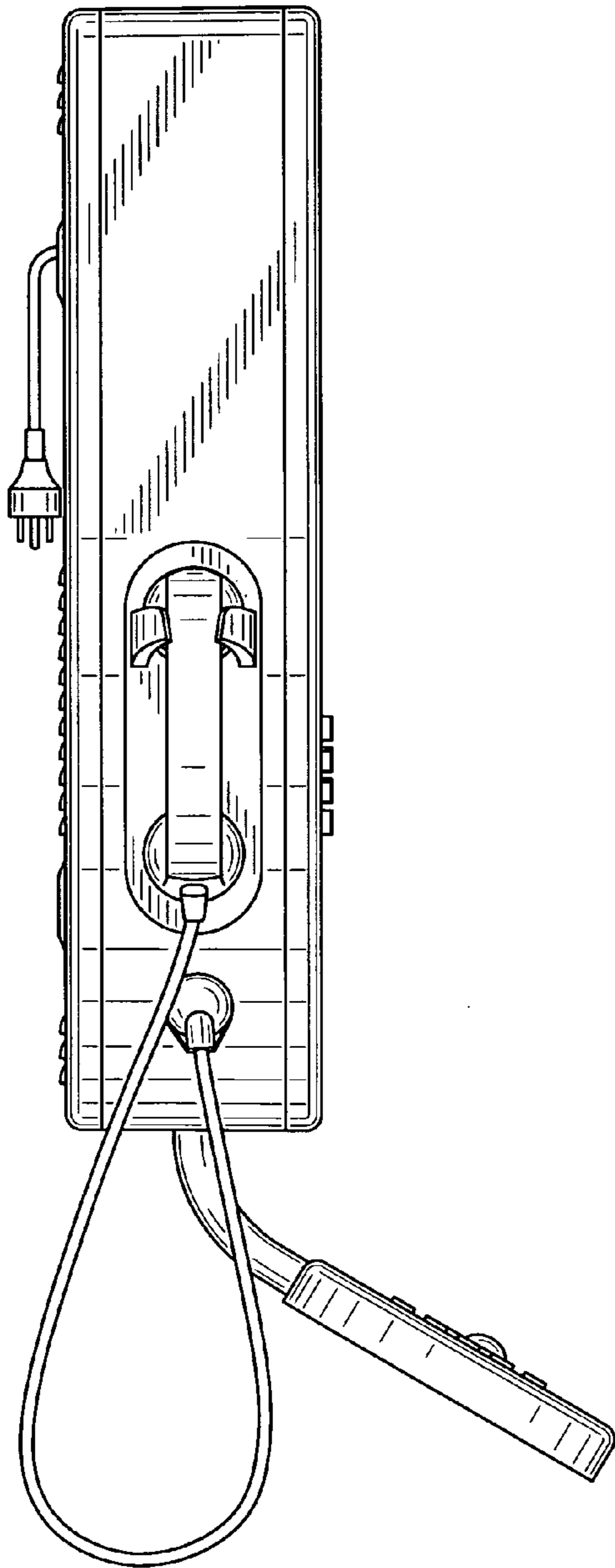


FIG. 4

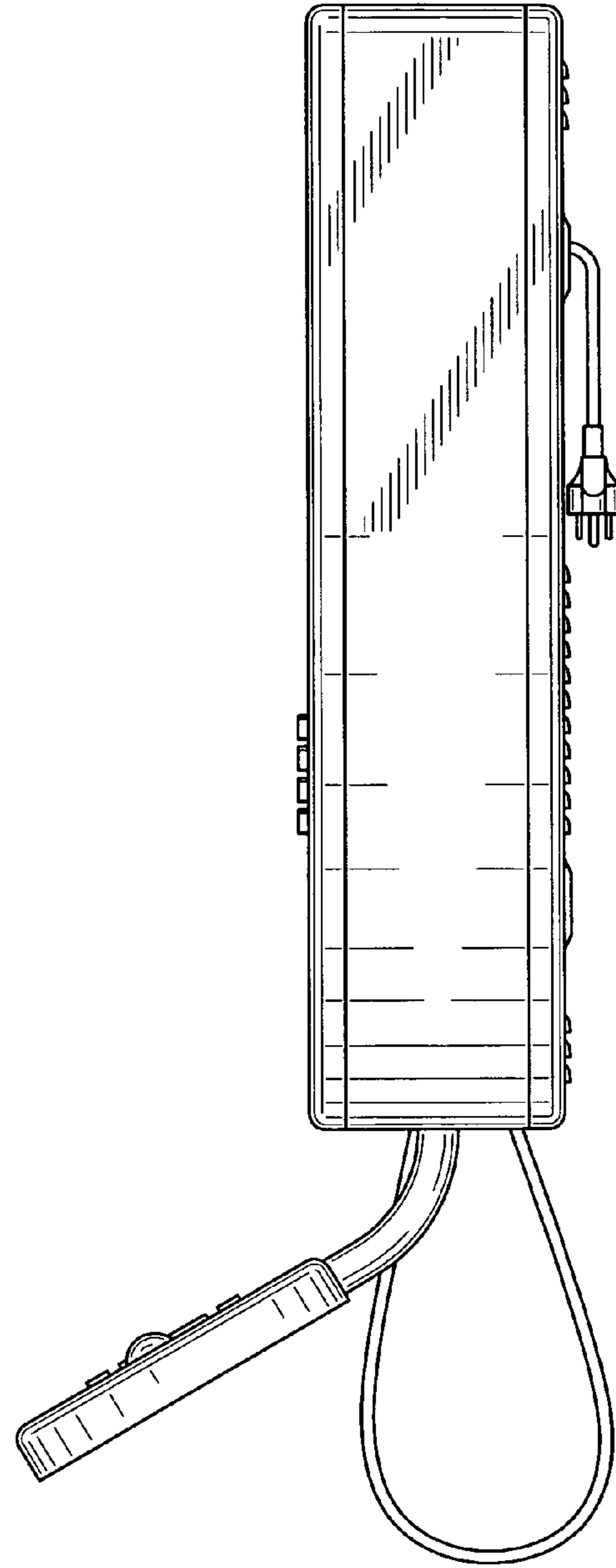


FIG. 5

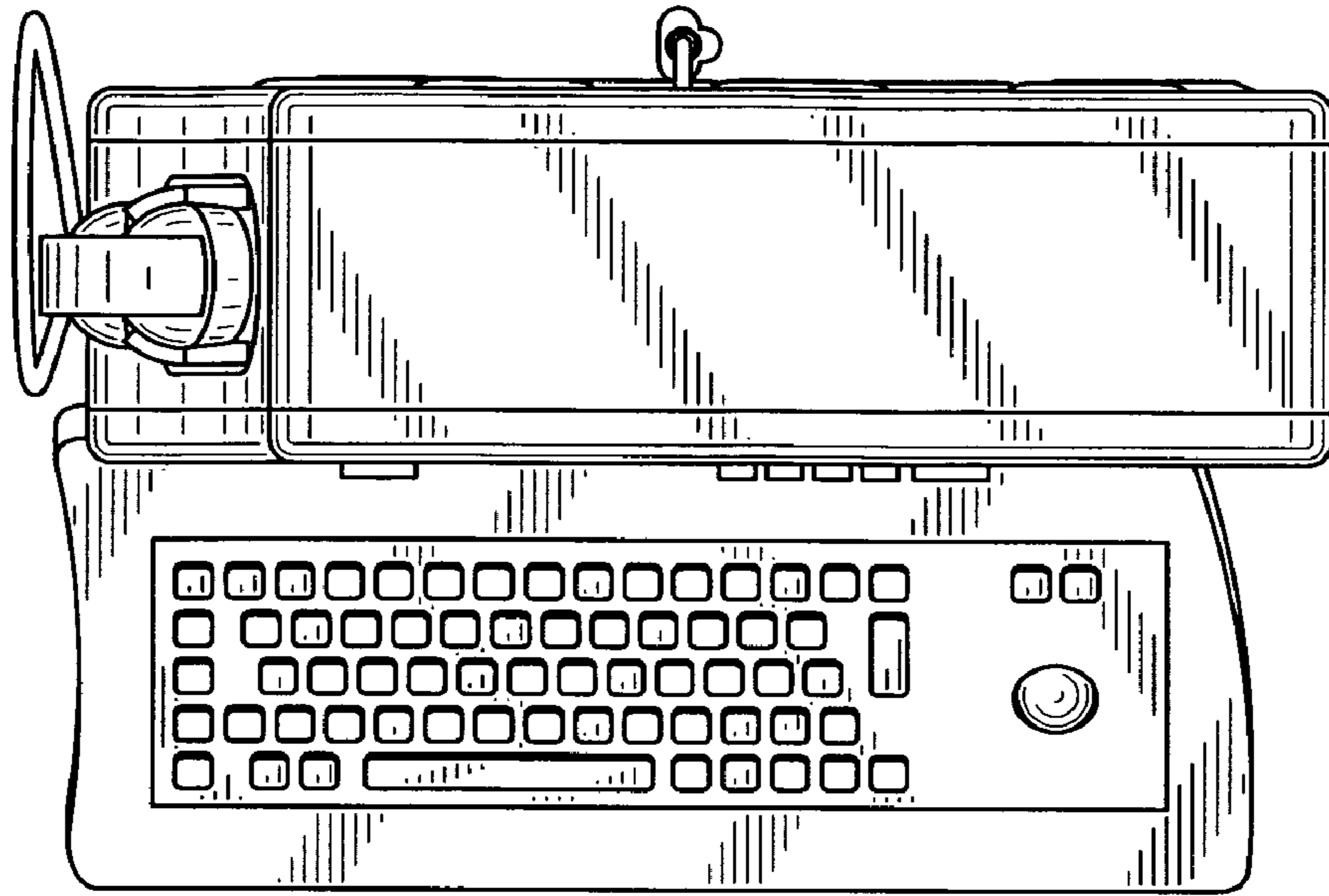


FIG. 6

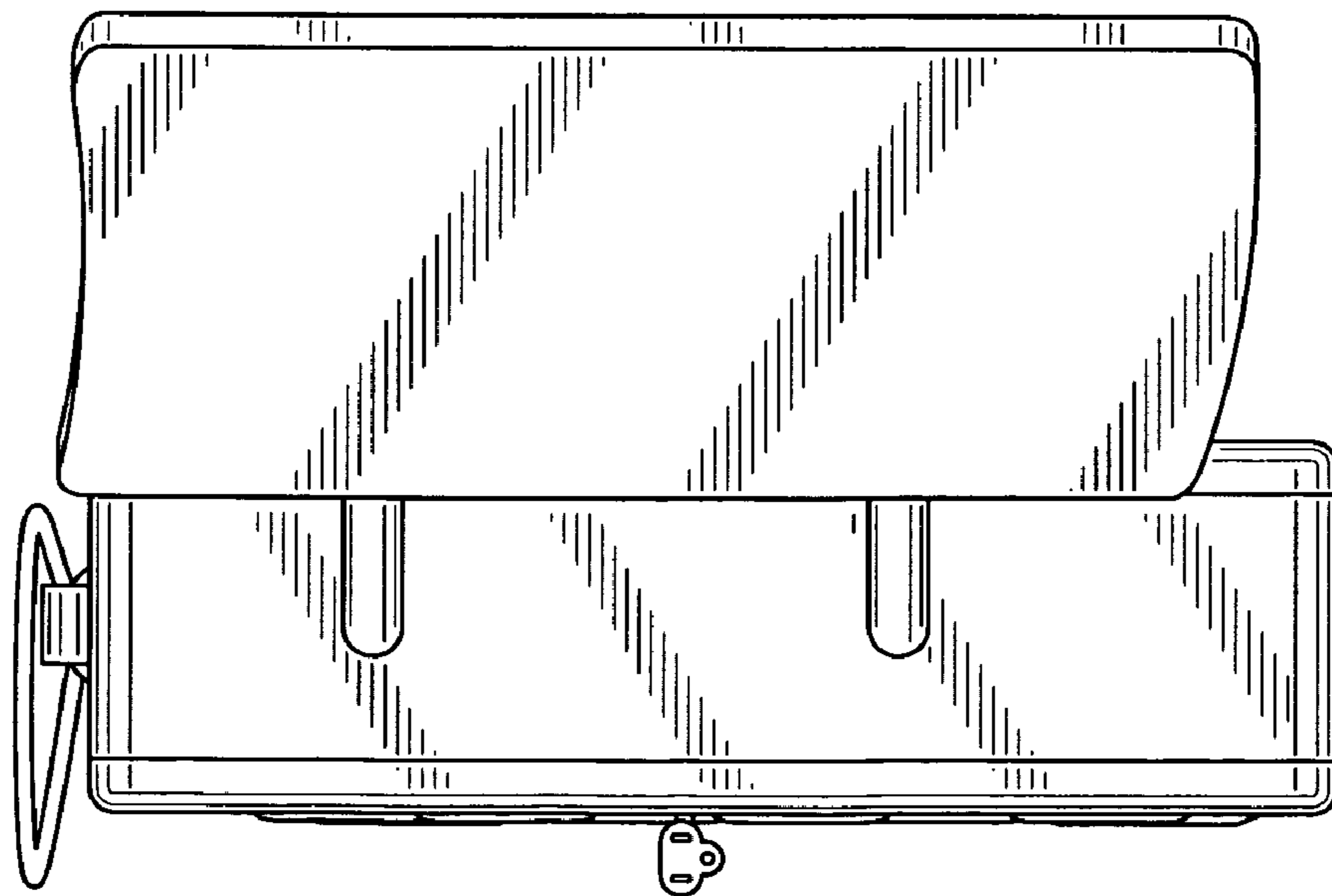


FIG. 7