

US00D594842S

(12) **United States Design Patent**
Park et al.

(10) **Patent No.:** **US D594,842 S**
(45) **Date of Patent:** **** Jun. 23, 2009**

(54) **PORTABLE PHONE**

(75) Inventors: **Hyoung-Shin Park**, Seoul (KR);
Chang-Hwan Hwang, Goyang-Si (KR);
Sang-Min Hyun, Seoul (KR)

(73) Assignee: **Samsung Electronics Co., Ltd.**,
Suwon-Si (KR)

(**) Term: **14 Years**

(21) Appl. No.: **29/322,937**

(22) Filed: **Aug. 14, 2008**

(30) **Foreign Application Priority Data**

Jun. 12, 2008 (KR) 30-2008-0025065

(51) **LOC (9) Cl.** **14-03**

(52) **U.S. Cl.** **D14/138 AD**

(58) **Field of Classification Search** D14/137,
D14/138 R, 138 AA, 138 AB, 138 AC, 138 AD,
D14/138 C, 138 G, 147, 191, 203.1–203.8,
D14/218, 247–248, 341–347, 432, 439, 455–456,
D14/496; D10/65, 78, 104; D13/168; D18/7;
455/556.1, 566, 575.1, 575.3; 345/169
See application file for complete search history.

(56) **References Cited**

U.S. PATENT DOCUMENTS

- D476,988 S * 7/2003 Lee D14/341
- D483,281 S * 12/2003 Cobigo D10/104
- D509,813 S * 9/2005 Miyazawa et al. ... D14/138 AD
- D513,512 S * 1/2006 Tsai D14/203.7
- D526,989 S * 8/2006 Dimitriadis et al. .. D14/138 AD
- D528,090 S * 9/2006 Lee et al. D14/138 AD
- D529,886 S * 10/2006 Jang D14/138 AD
- D530,295 S * 10/2006 Chung et al. D14/138 AD
- D531,612 S * 11/2006 Kim et al. D14/138 AD
- D537,063 S * 2/2007 Kim et al. D14/138 AD
- D541,249 S * 4/2007 Hirano D14/138 AC
- D541,777 S * 5/2007 Shimizu D14/138 AC
- D543,174 S * 5/2007 Kim D14/138 AD
- D544,459 S * 6/2007 Wang D14/138 AD

- D548,716 S * 8/2007 Park et al. D14/138 AD
- D549,683 S * 8/2007 Cho et al. D14/138 AD
- D558,717 S * 1/2008 Baik et al. D14/138 AD
- D561,724 S * 2/2008 Kim et al. D14/138 AD
- D563,363 S * 3/2008 Park et al. D14/138 AD
- D566,090 S * 4/2008 Moon D14/138 AD
- D579,435 S * 10/2008 Han et al. D14/138 R
- 2005/0064917 A1 * 3/2005 Peng et al. 455/575.1
- 2005/0277449 A1 * 12/2005 Wu 455/575.1
- 2006/0073858 A1 * 4/2006 Nagashima 455/575.4
- 2006/0234786 A1 * 10/2006 Taniguchi et al. 455/575.4
- 2008/0266262 A1 * 10/2008 Duarte et al. 345/169

OTHER PUBLICATIONS

Gigabyte Keroro, announced 2005, [online], [retrieved on Feb. 20, 2007]. Retrieved from Internet ,<URL: <http://www.gsmarena.com>>.*

(Continued)

Primary Examiner—Jeffrey D Asch
Assistant Examiner—Bridget L Eland
(74) *Attorney, Agent, or Firm*—Staas & Halsey LLP

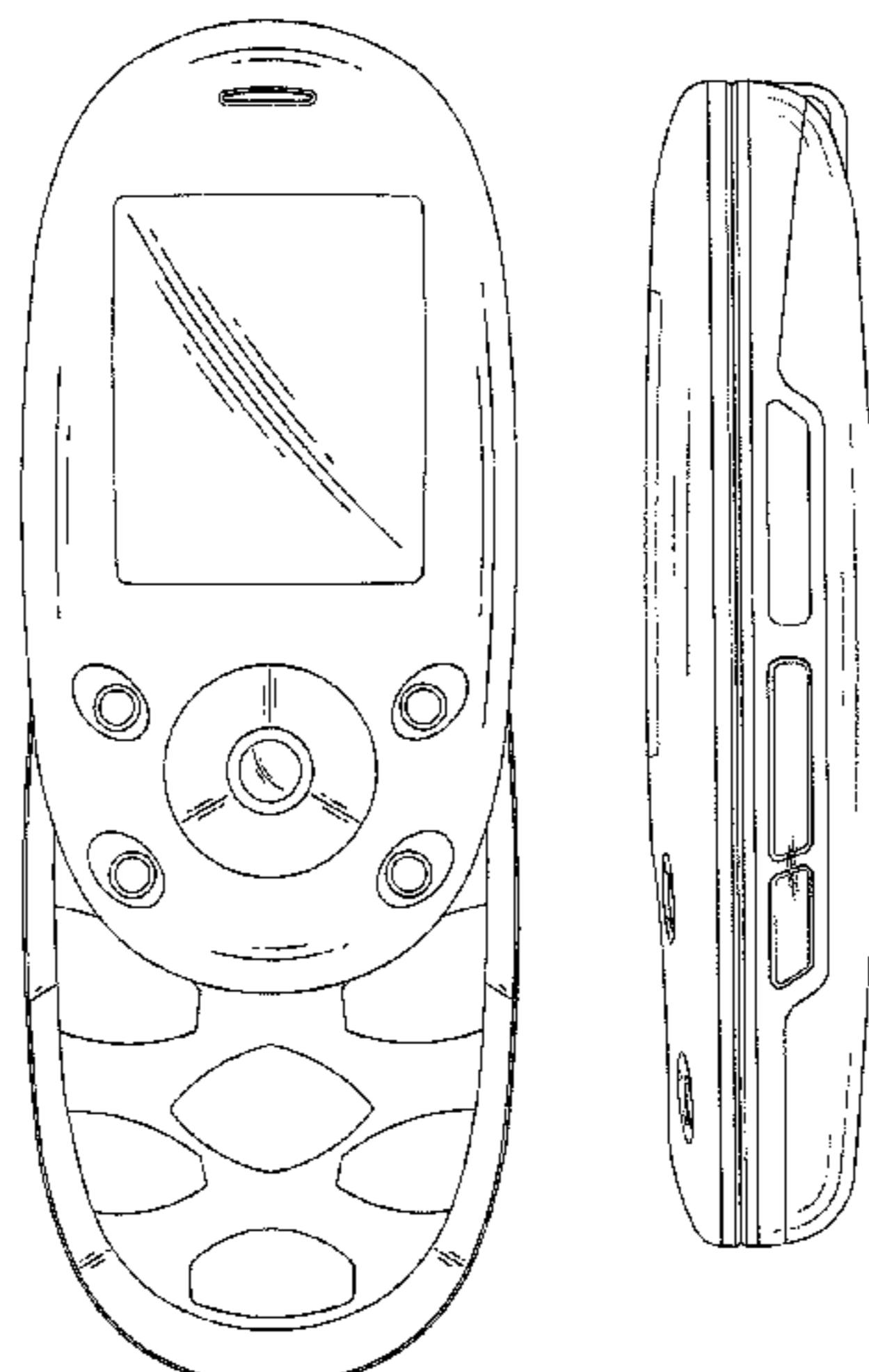
(57) **CLAIM**

The ornamental design for a portable phone, as shown and described.

DESCRIPTION

FIG. 1 is a perspective view of a portable phone;
FIG. 2 is a front view of the portable phone of FIG. 1;
FIG. 3 is a rear view of the portable phone of FIG. 1;
FIG. 4 is a left-side view of the portable phone of FIG. 1;
FIG. 5 is a right-side view of the portable phone of FIG. 1;
FIG. 6 is a top plan view of the portable phone of FIG. 1;
FIG. 7 is a bottom plan view of the portable phone of FIG. 1;
FIG. 8 is a front slid open view of the portable phone of FIG. 1; and,
FIG. 9 is a rear slid open view of FIG. 8 of the portable phone of FIG. 1.

1 Claim, 6 Drawing Sheets



OTHER PUBLICATIONS

Gigabyte g-Smart t600, announced Feb. 2007, [online], [retrieved on Mar. 12, 2007]. Retrieved from Internet ,<URL: <http://www.gsmarena.com>>.*

i-mate JAMin, announced 1st quarter 2006, [online], [retrieved on Feb. 20, 2007]. Retrieved from Internet ,<URL: <http://www.gsmarena.com>>.*

Motorola A920, announced 2003, [online], [retrieved on Feb. 16, 2007]. Retrieved from Internet ,<URL: <http://www.gsmarena.com>>.*

Nokia 7373, announced Sep. 2006, [online], [retrieved on Feb. 16, 2007]. Retrieved from Internet ,<URL: <http://www.gsmarena.com>>.*

Panasonic X500, announced 2nd quarter 2004, [online], [retrieved on Feb. 16, 2007]. Retrieved from Internet ,<URL: <http://www.gsmarena.com>>.*

Siemens SL75, announced 2nd quarter 2005, [online], [retrieved on Feb. 20, 2007]. Retrieved from Internet ,<URL: <http://www.gsmarena.com>>.*

Sony Ericsson S700, announced Mar. 2004, [online], [retrieved on Feb. 16, 2007]. Retrieved from Internet ,<URL: <http://www.gsmarena.com>>.*

* cited by examiner

FIG. 1

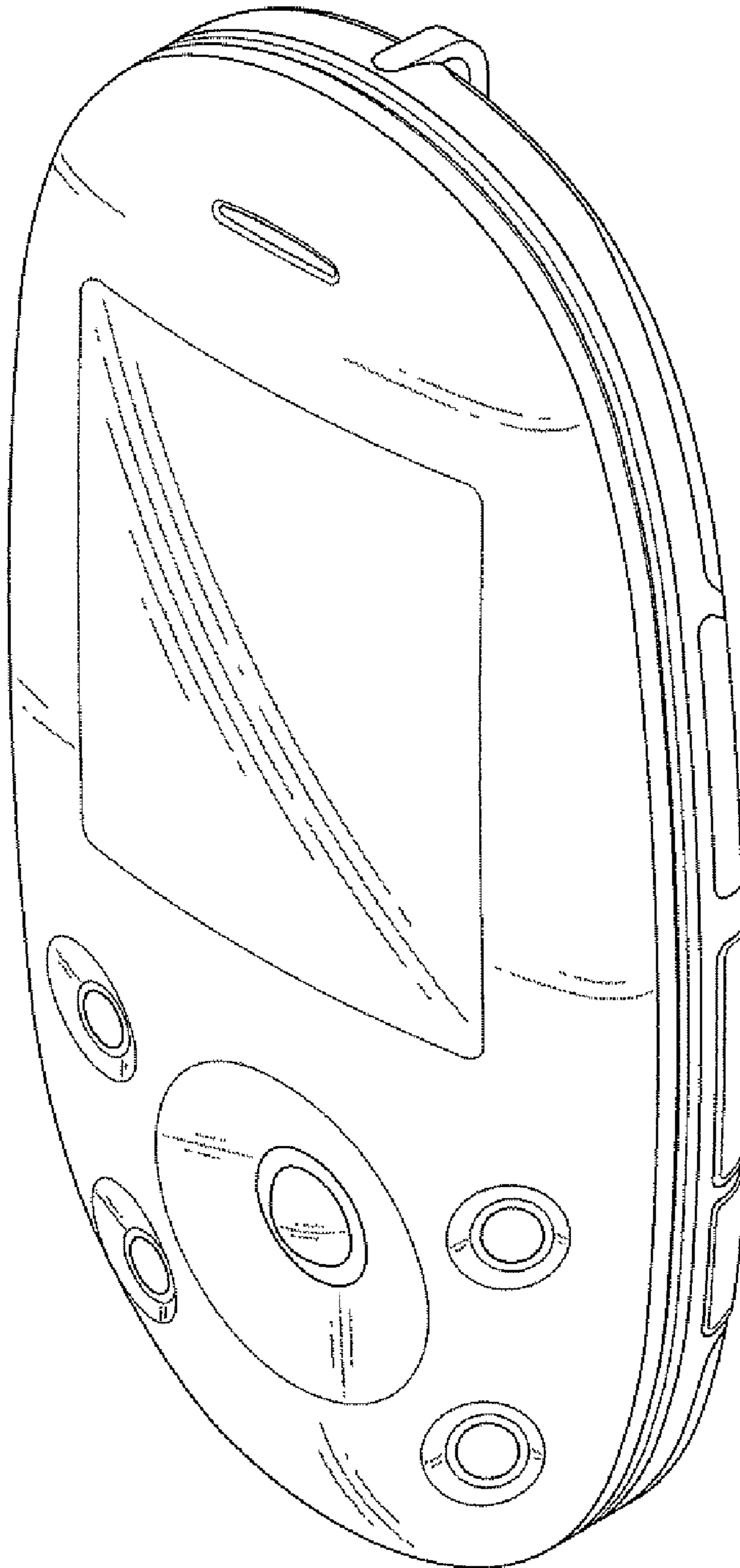


FIG. 2

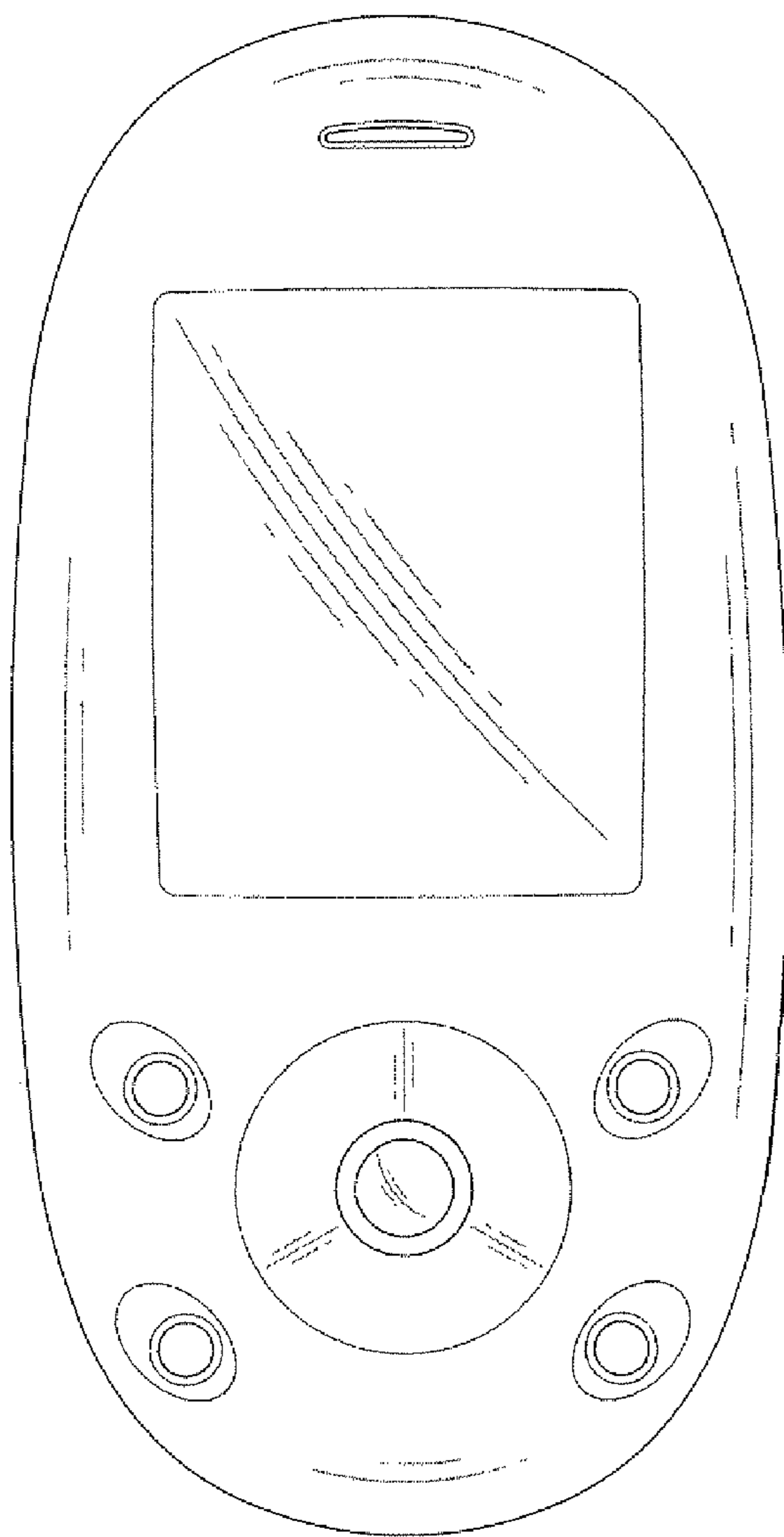


FIG. 3

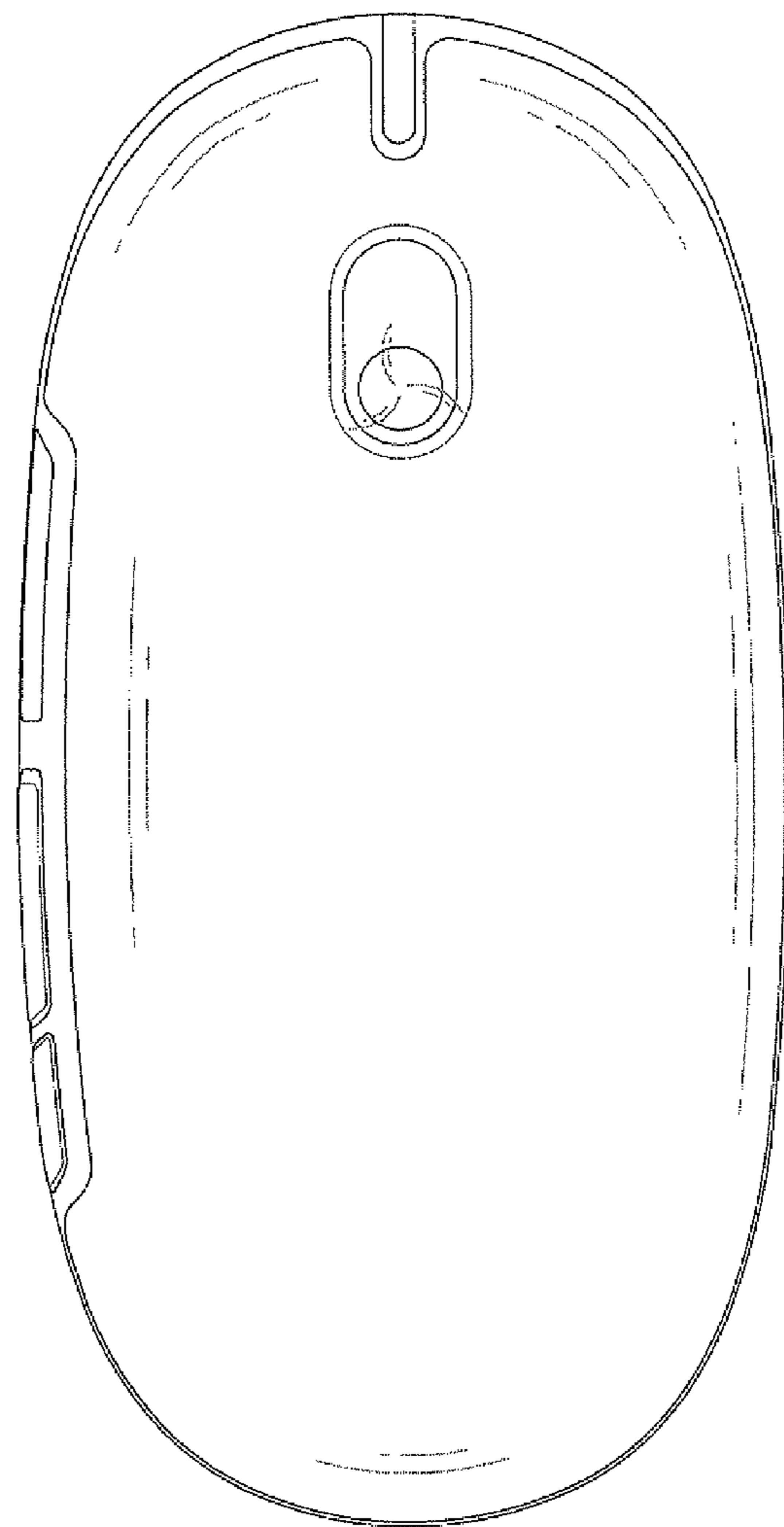


FIG. 4

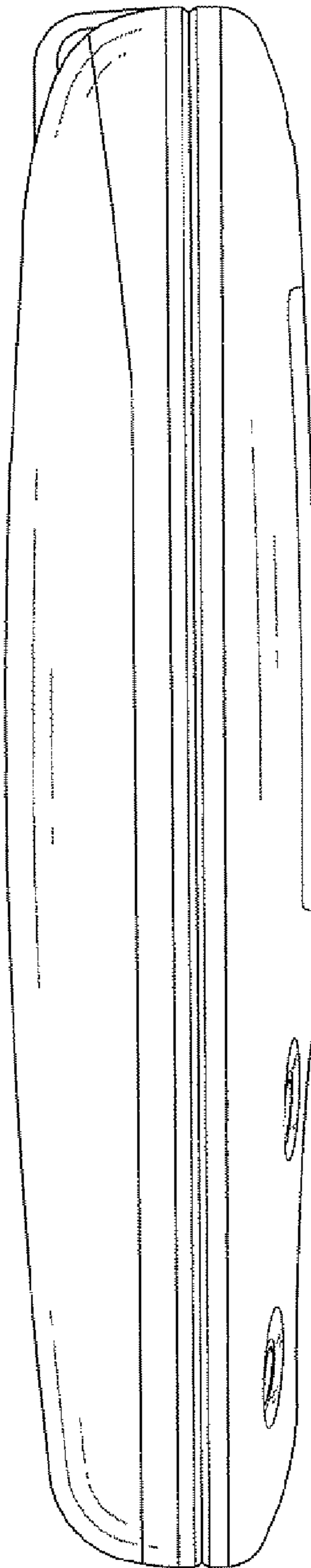


FIG. 5

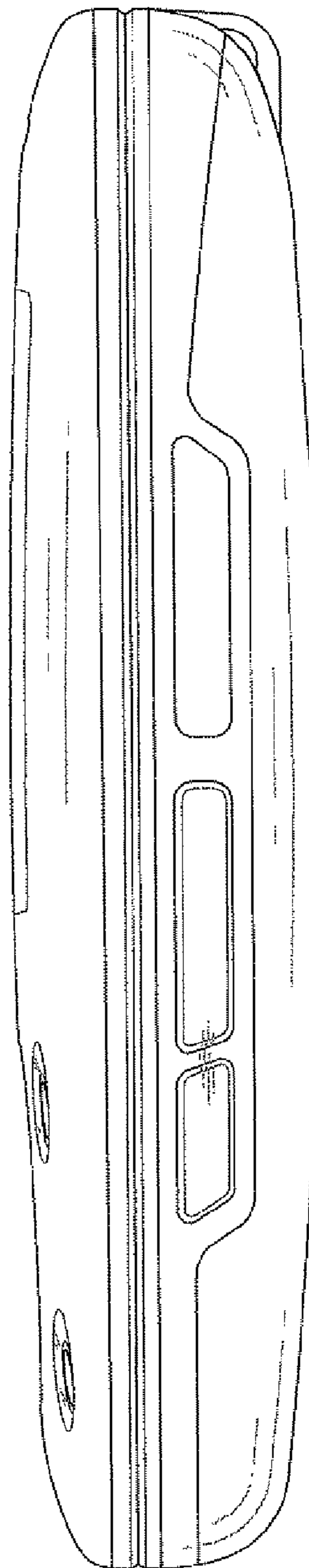


FIG. 6

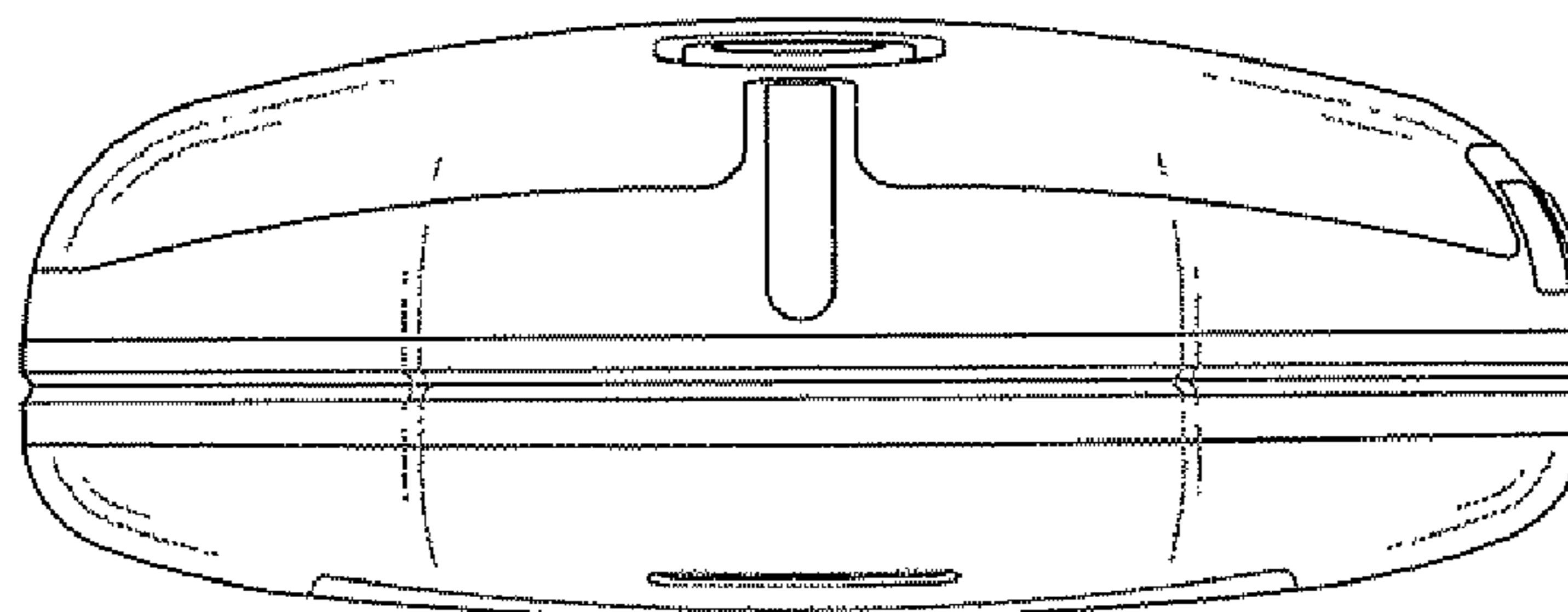


FIG. 7

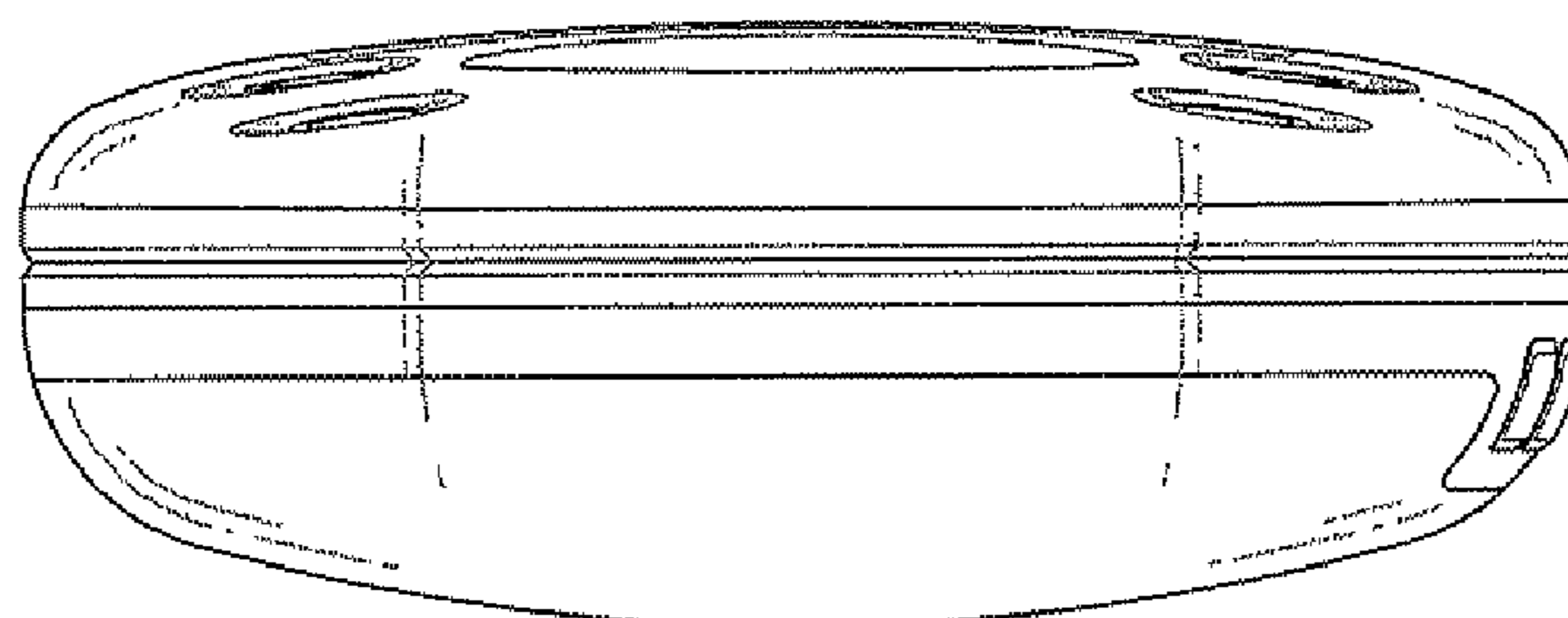


FIG. 8

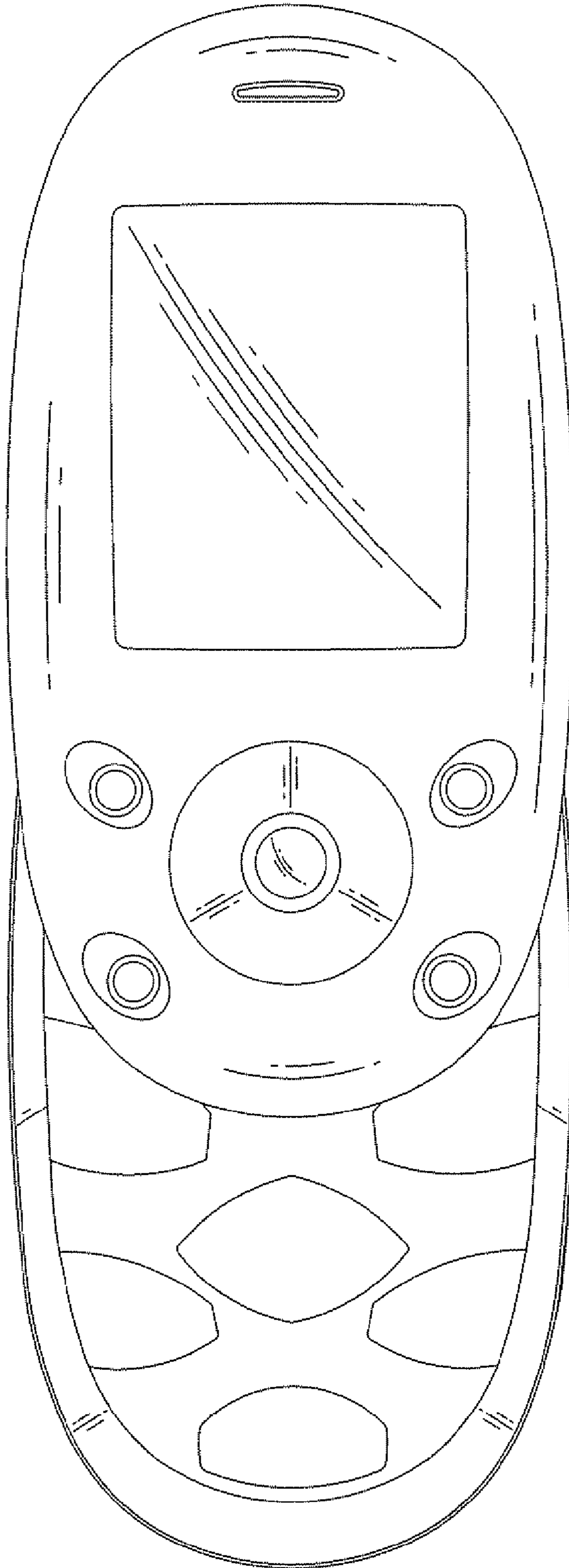


FIG. 9

