



US00D594837S

(12) **United States Design Patent**
Choi et al.

(10) **Patent No.:** **US D594,837 S**
(45) **Date of Patent:** **** Jun. 23, 2009**

(54) **MOBILE PHONE**

(75) Inventors: **Kwang-Ha Choi**, Seoul (KR);
Beom-Ku Han, Seoul (KR); **Chang-Soo Lee**, Incheon (KR)

(73) Assignee: **Samsung Electronics Co., Ltd.**,
Suwon-Si (KR)

(**) Term: **14 Years**

(21) Appl. No.: **29/322,390**

(22) Filed: **Aug. 4, 2008**

(30) **Foreign Application Priority Data**

May 14, 2008 (KR) 30-2008-0020140

(51) **LOC (9) Cl.** **14-03**

(52) **U.S. Cl.** **D14/138 AD**

(58) **Field of Classification Search** D14/137,
D14/138 R, 138 AA, 138 AB, 138 AC, 138 AD,
D14/138 C, 138 G, 147, 191, 203.1–203.8,
D14/218, 247–248, 341–347, 432, 439, 455–456,
D14/496; D10/65, 78, 104; D13/168; D18/7;
455/556.1, 566, 575.1, 575.3; 345/169
See application file for complete search history.

(56) **References Cited**

U.S. PATENT DOCUMENTS

D511,342 S * 11/2005 Chien D14/346
D517,038 S * 3/2006 Lee et al. D14/138 AD
D527,000 S * 8/2006 Hong et al. D14/346
D534,516 S * 1/2007 Lheem D14/138 AD
D548,213 S * 8/2007 Lee et al. D14/138 AC
D548,715 S * 8/2007 Lee et al. D14/138 AD
D559,220 S * 1/2008 Lee et al. D14/138 AD
D560,192 S * 1/2008 Lee et al. D14/138 AD
D562,298 S * 2/2008 Yoon D14/138 AD
D563,369 S * 3/2008 Kim et al. D14/138 AD
D563,929 S * 3/2008 Park D14/138 AD
D572,699 S * 7/2008 Ahn et al. D14/138 G
D574,015 S * 7/2008 Masui D14/496
D575,759 S * 8/2008 Park et al. D14/138 AD
D576,140 S * 9/2008 Park et al. D14/138 AD
D576,141 S * 9/2008 Moon et al. D14/138 G

D577,349 S * 9/2008 Choi et al. D14/138 AD
D578,985 S * 10/2008 Kim et al. D14/138 R
D579,439 S * 10/2008 Chung et al. D14/138 R
D580,391 S * 11/2008 Kim et al. D14/138 R
D580,430 S * 11/2008 Wei D14/341
D581,387 S * 11/2008 Harju et al. D14/138 R
D583,340 S * 12/2008 Montin et al. D14/138 R
2005/0124381 A1 * 6/2005 Kim et al. 455/556.1
2007/0103443 A1 * 5/2007 Park et al. 345/169
2008/0119248 A1 * 5/2008 Nissen et al. 455/575.4

OTHER PUBLICATIONS

LG V9000, announced Feb. 2006, [online], [retrieved on Feb. 20, 2007]. Retrieved from Internet ,<URL: <http://www.gsmarena.com>>.*

Nokia 5610, announced Aug. 2007, [online], [retrieved on Sep. 4, 2007]. Retrieved from Internet ,<URL: <http://www.gsmarena.com>>.*

* cited by examiner

Primary Examiner—Jeffrey D Asch

Assistant Examiner—Bridget L Eland

(74) *Attorney, Agent, or Firm*—Staas & Halsey LLP

(57) **CLAIM**

The ornamental design for a mobile phone, as shown and described.

DESCRIPTION

FIG. 1 is a front perspective view of a mobile phone;
FIG. 2 is a front view of the mobile phone of FIG. 1;
FIG. 3 is a rear view of the mobile phone of FIG. 1;
FIG. 4 is a left-side view of the mobile phone of FIG. 1;
FIG. 5 is a right-side view of the mobile phone of FIG. 1;
FIG. 6 is a top plan view of the mobile phone of FIG. 1;
FIG. 7 is a bottom plan view of the mobile phone of FIG. 1;
and,
FIG. 8 is a front perspective view of the portable phone of FIG. 1 with the front panel slid up.

1 Claim, 5 Drawing Sheets

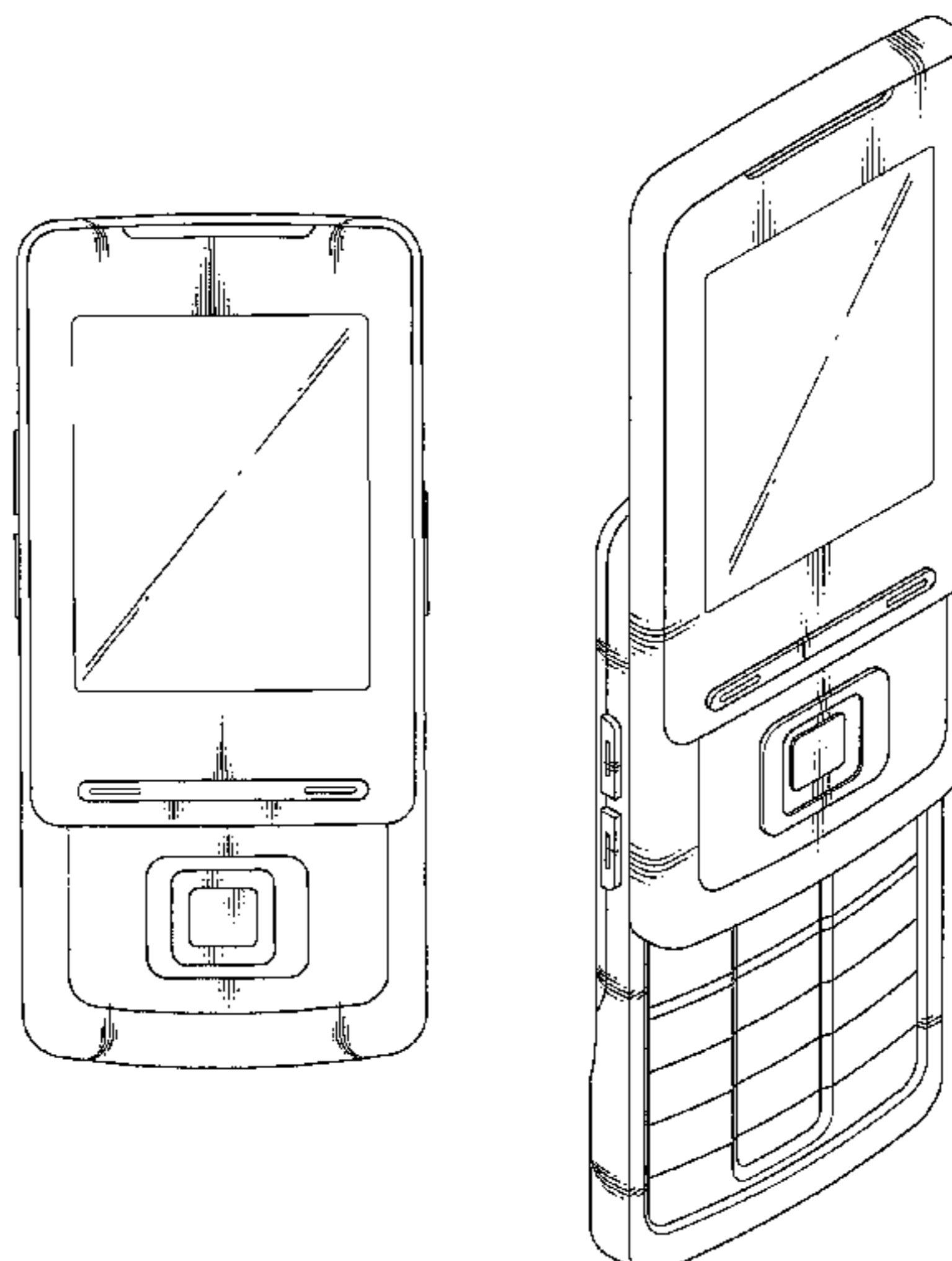


FIG. 1

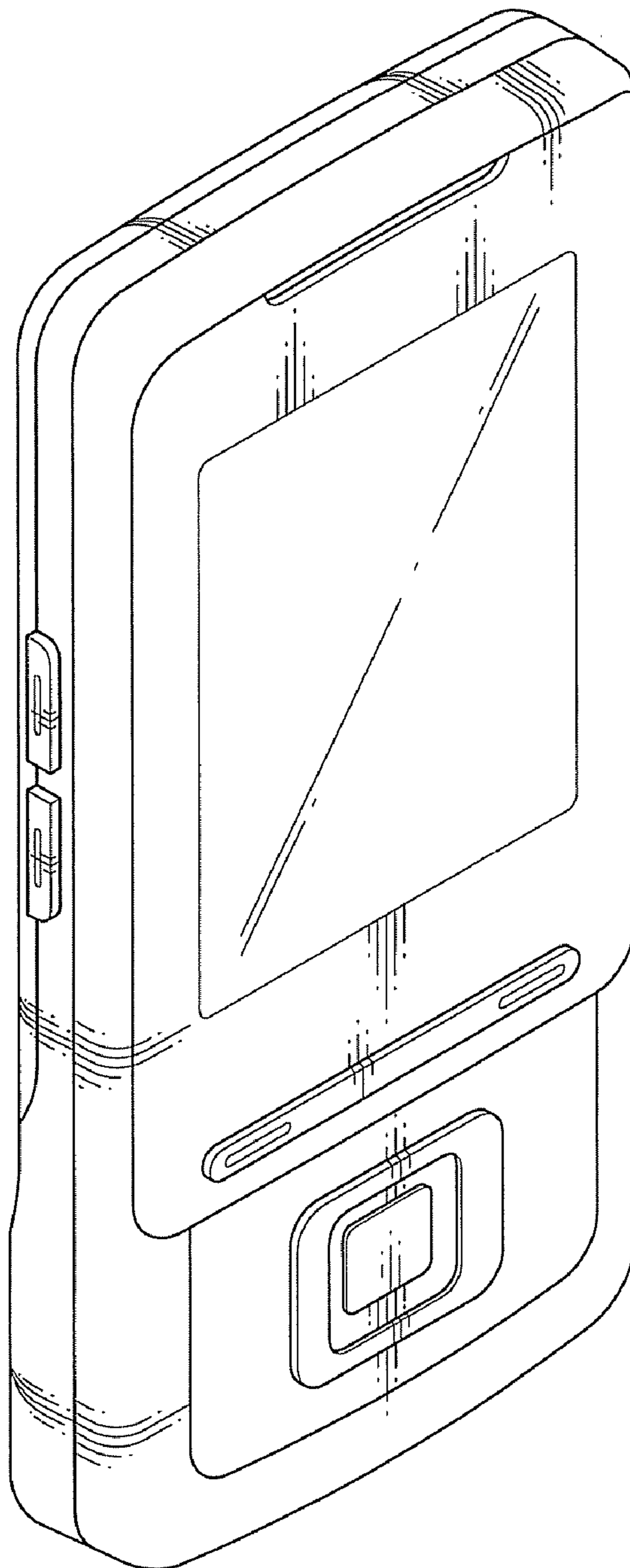


FIG.2

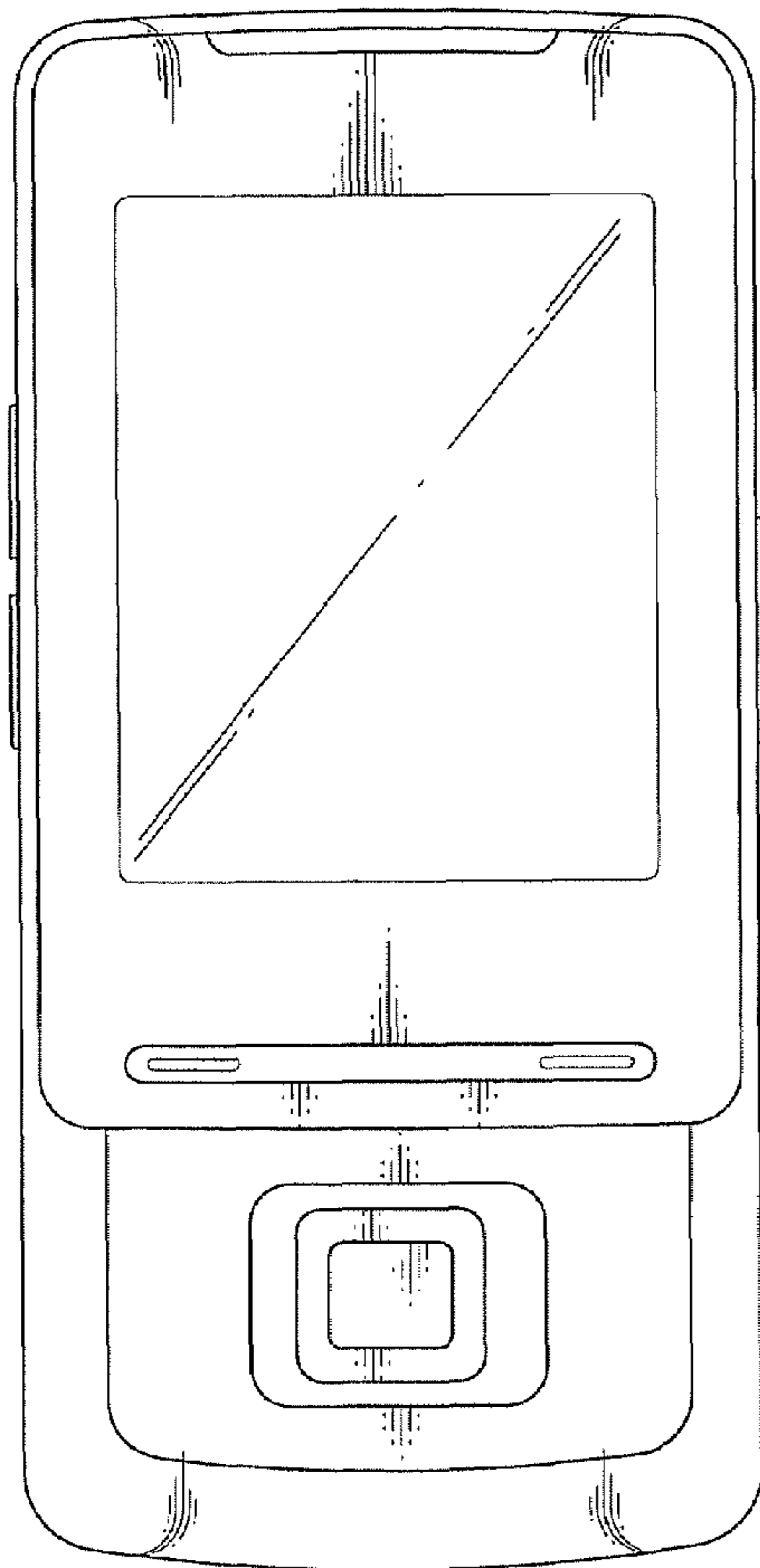


FIG.3

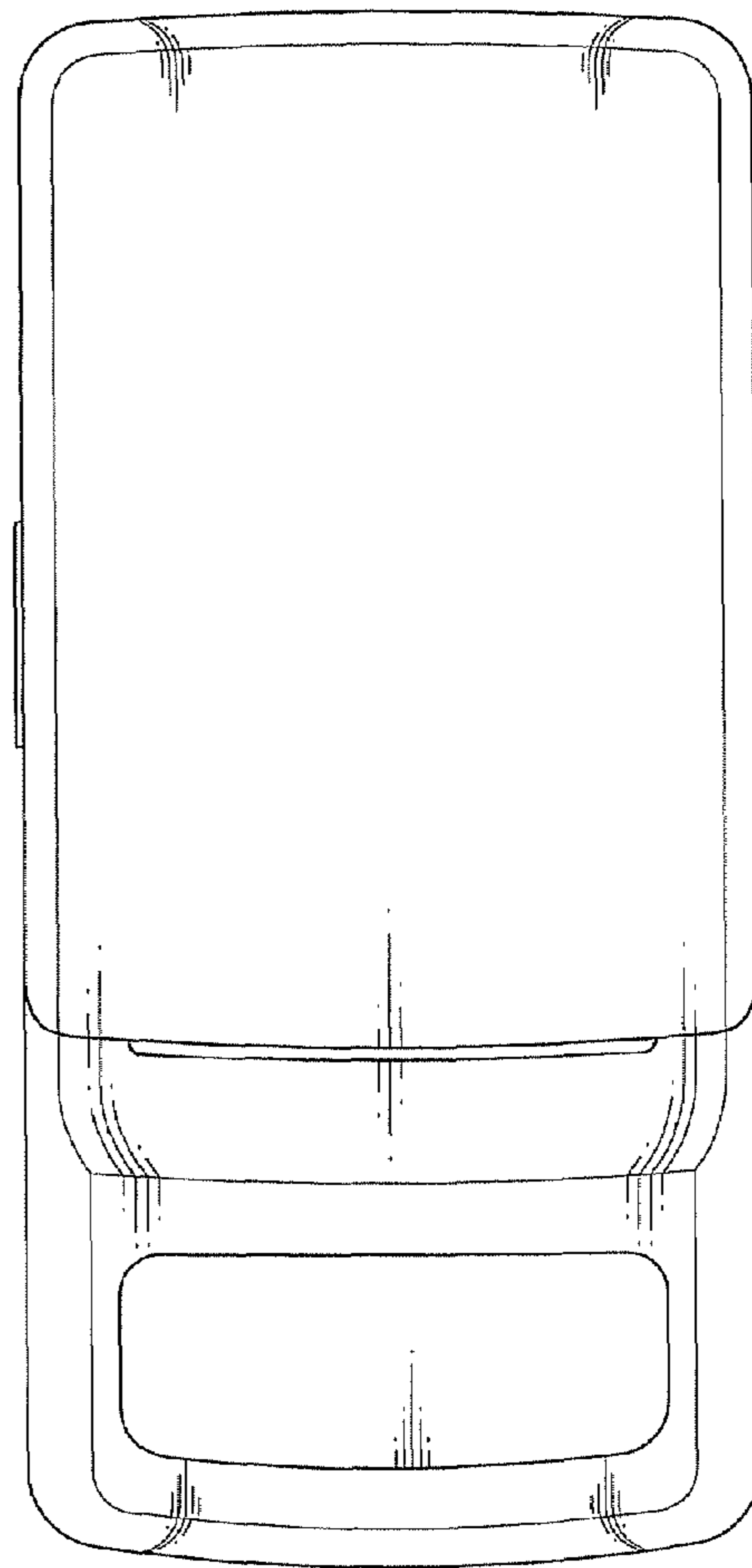


FIG. 4

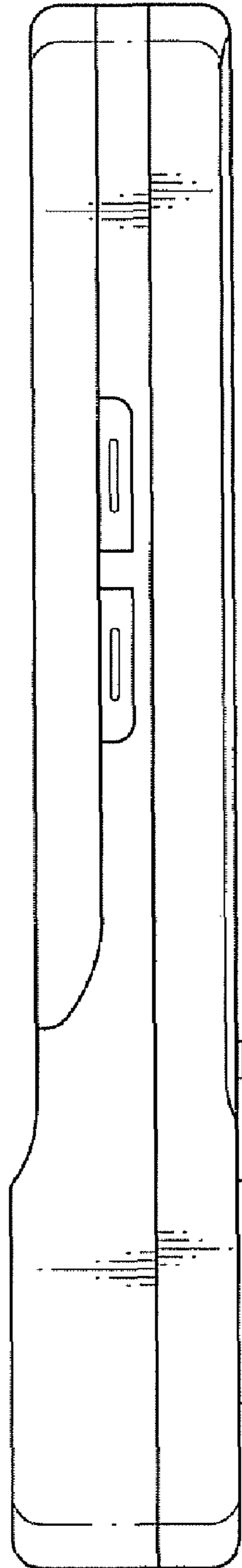


FIG. 5

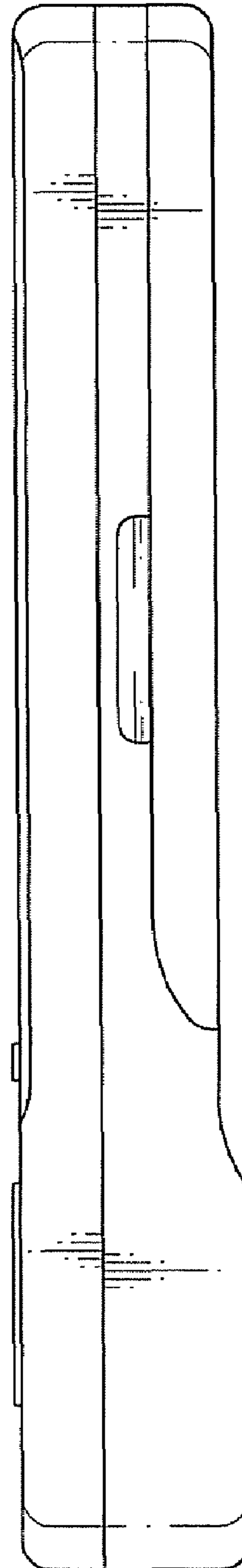


FIG. 6

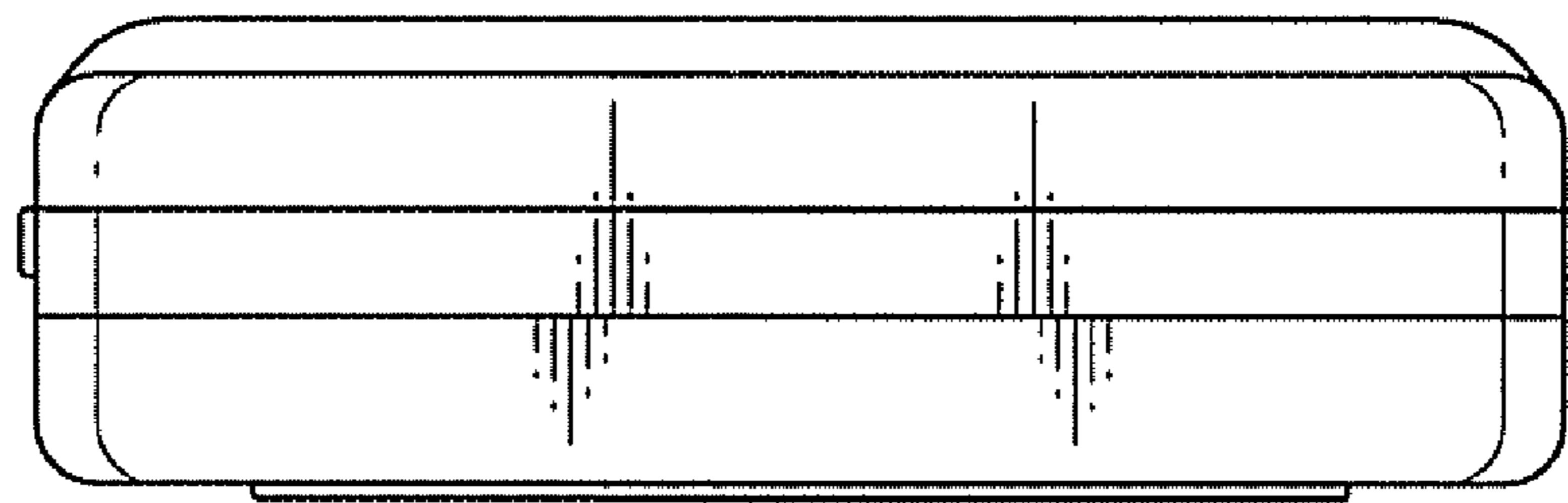


FIG. 7

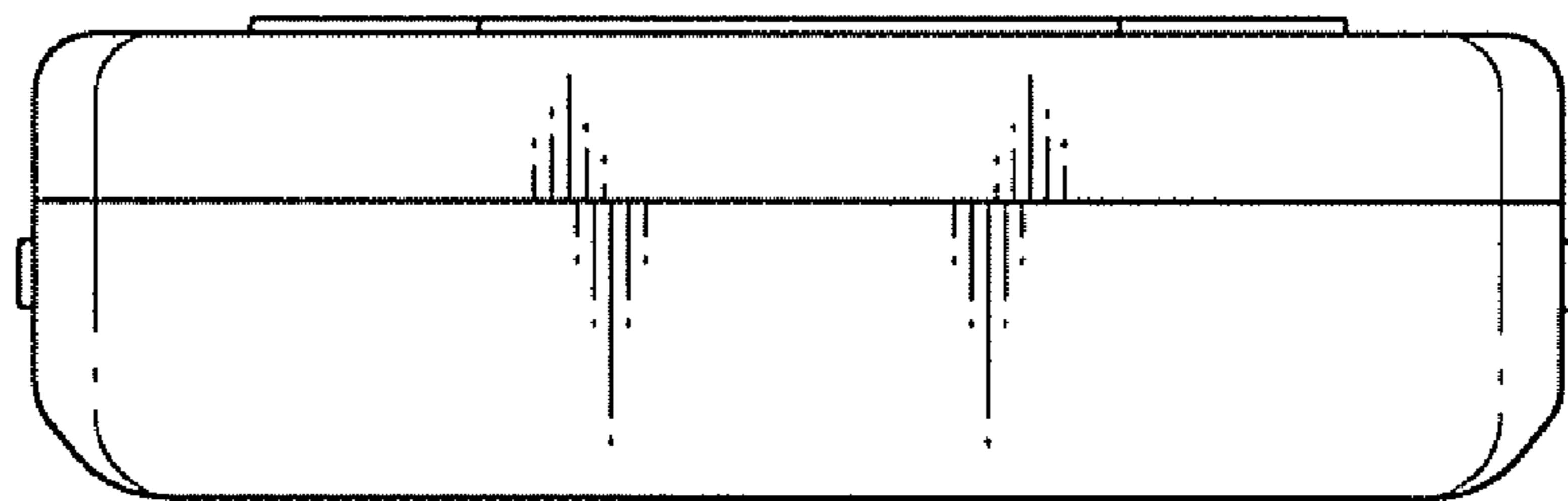


FIG. 8

