

US00D594829S

(12) **United States Design Patent**  
**Hoehn**

(10) **Patent No.:** **US D594,829 S**  
(45) **Date of Patent:** **\*\* Jun. 23, 2009**

(54) **TELEVISION SET**  
(75) Inventor: **Holger Hoehn**, Taipei (TW)  
(73) Assignee: **Hannspree, Inc.**, Taipei (TW)  
(\*\*) Term: **14 Years**

D405,443 S \* 2/1999 Marsh ..... D14/126  
D412,167 S \* 7/1999 Rosen ..... D14/452  
D412,899 S \* 8/1999 Rosen ..... D14/132  
D431,055 S \* 9/2000 Tachau et al. .... D21/448  
D458,257 S \* 6/2002 Rosen et al. .... D14/375

(21) Appl. No.: **29/237,147**  
(22) Filed: **Aug. 29, 2005**

\* cited by examiner  
*Primary Examiner*—Raphael Barkai  
(74) *Attorney, Agent, or Firm*—Guice Patents PLLC

(30) **Foreign Application Priority Data**  
Mar. 25, 2005 (TW) ..... 94301668

(57) **CLAIM**  
The ornamental design for a television set, as shown and described.

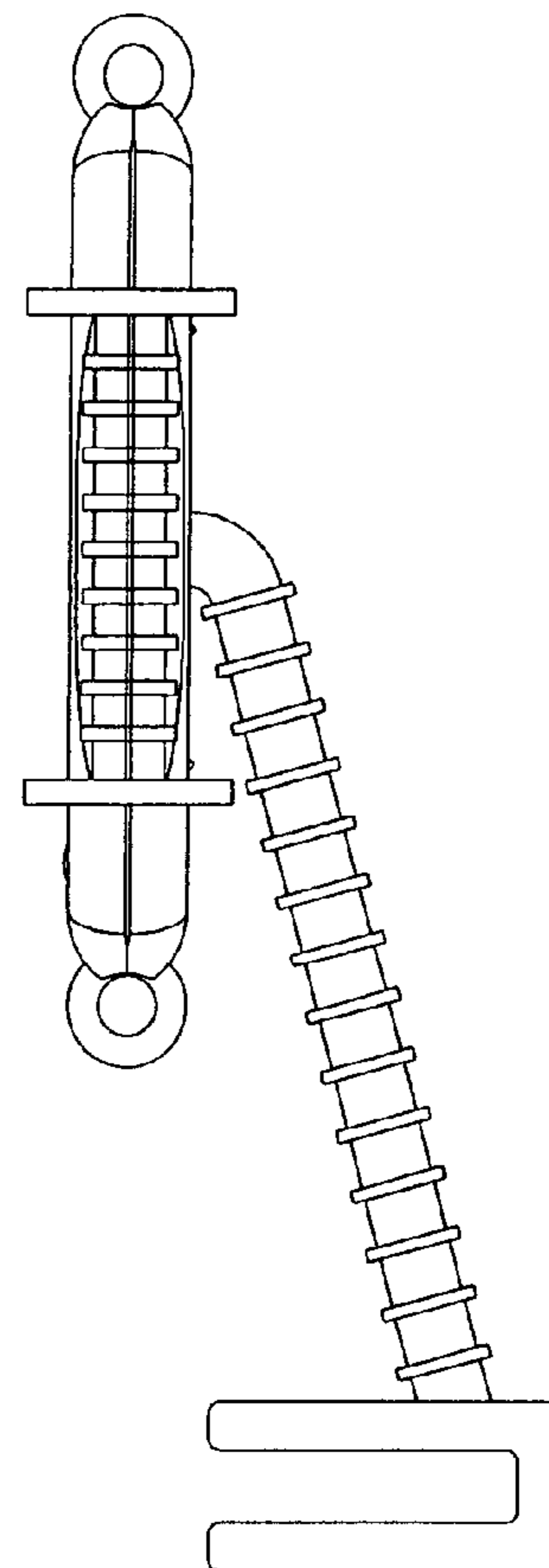
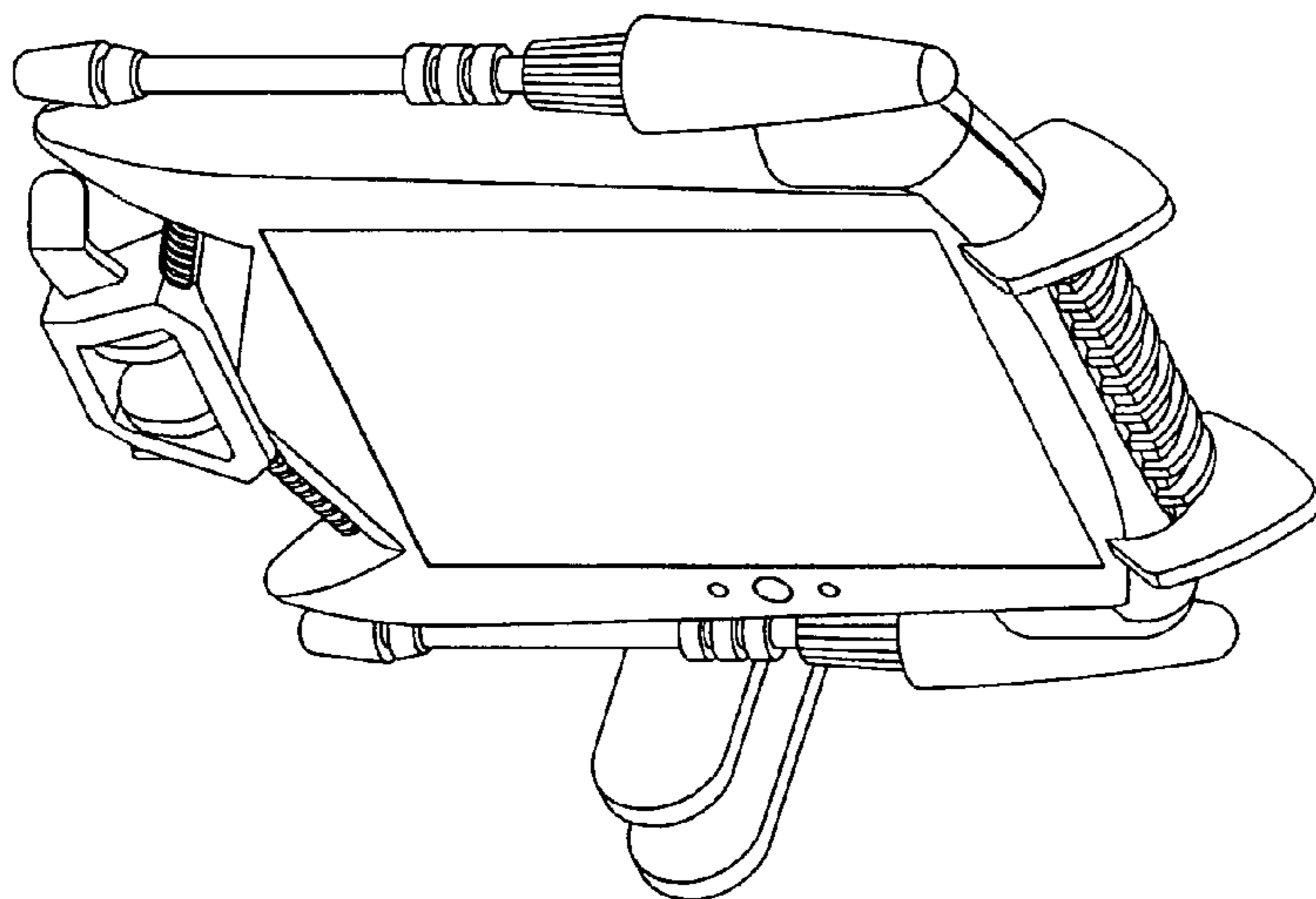
(51) **LOC (9) Cl.** ..... **14-03**  
(52) **U.S. Cl.** ..... **D14/126**  
(58) **Field of Classification Search** ..... D14/125–134,  
D14/239, 371, 136, 374–377; 312/7.2; 348/836,  
348/838, 180, 184, 325, 739; 341/12; 248/917–924,  
248/465; 345/104, 133, 156, 138, 87, 173;  
720/605, 669, 600, 655; 369/99, 197; 455/344–347  
See application file for complete search history.

**DESCRIPTION**

FIG. 1 is a perspective view of television set showing my design;  
FIG. 2 is front view thereof;  
FIG. 3 is a left side view thereof;  
FIG. 4 is a top view thereof;  
FIG. 5 is a bottom view thereof;  
FIG. 6 is a rear view thereof; and,  
FIG. 7 is a right side view thereof.

(56) **References Cited**  
U.S. PATENT DOCUMENTS  
D386,158 S \* 11/1997 Rosen ..... D14/375  
D391,951 S \* 3/1998 Rosen ..... D14/126

**1 Claim, 4 Drawing Sheets**



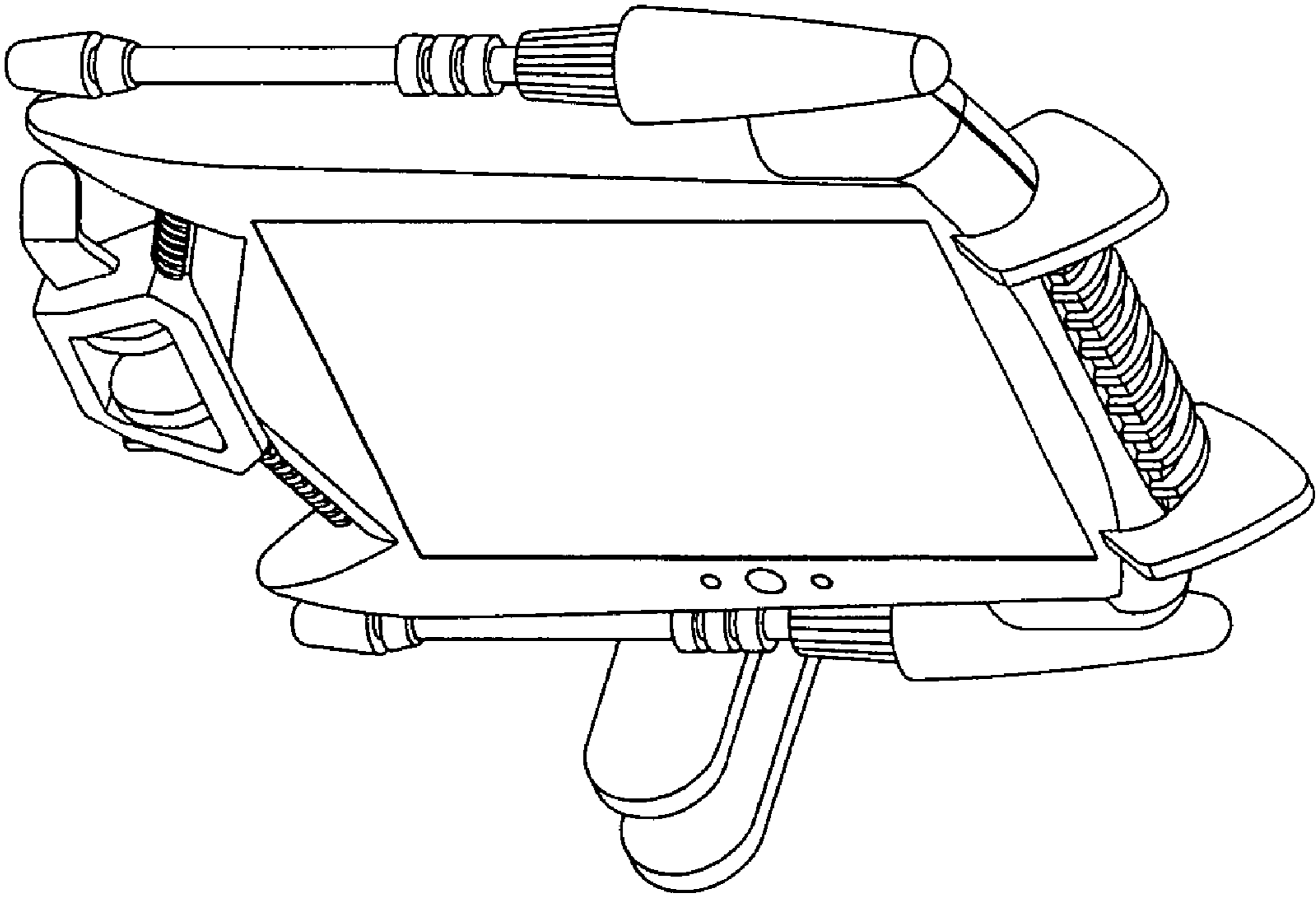


FIG. 1

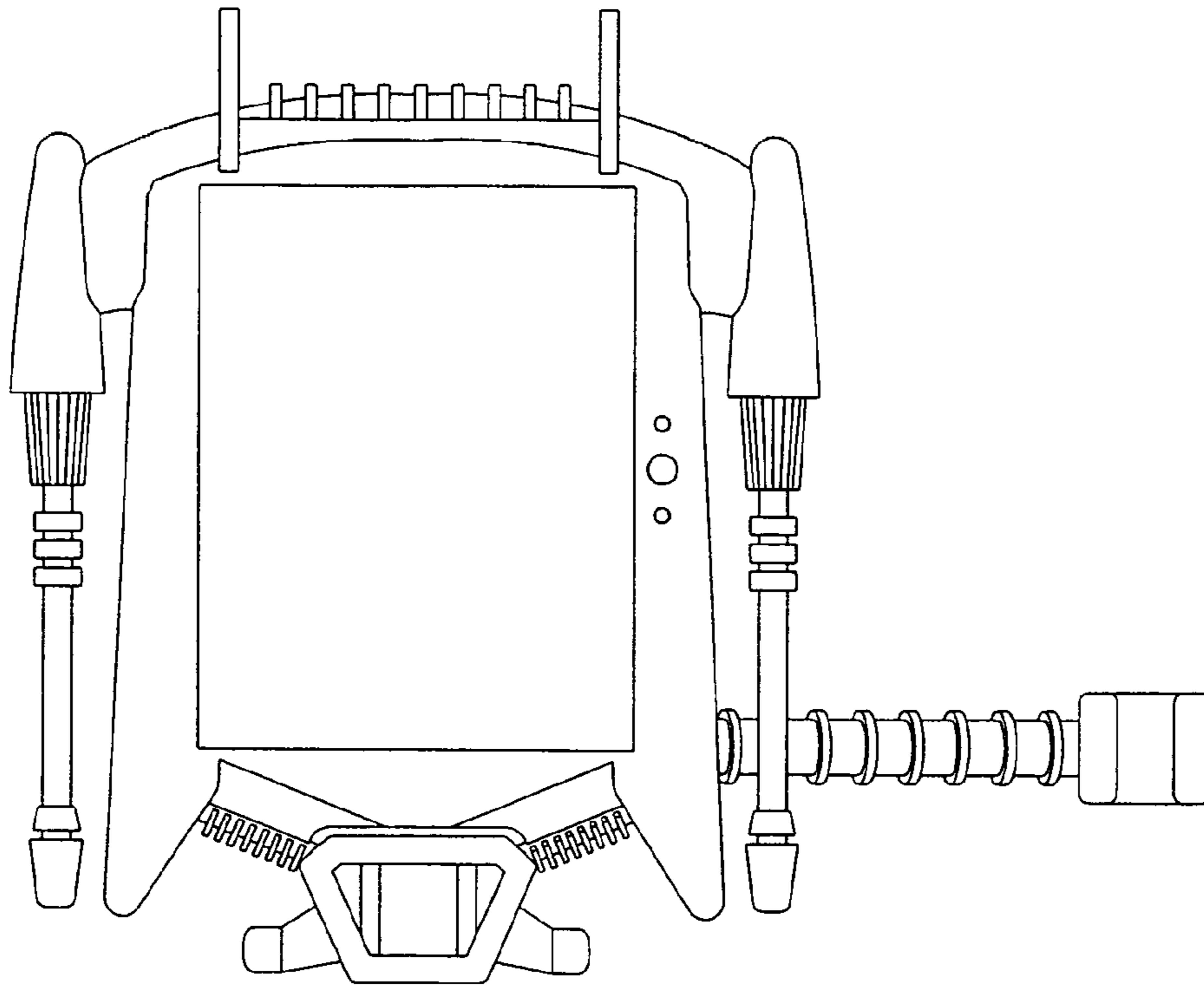


FIG. 2

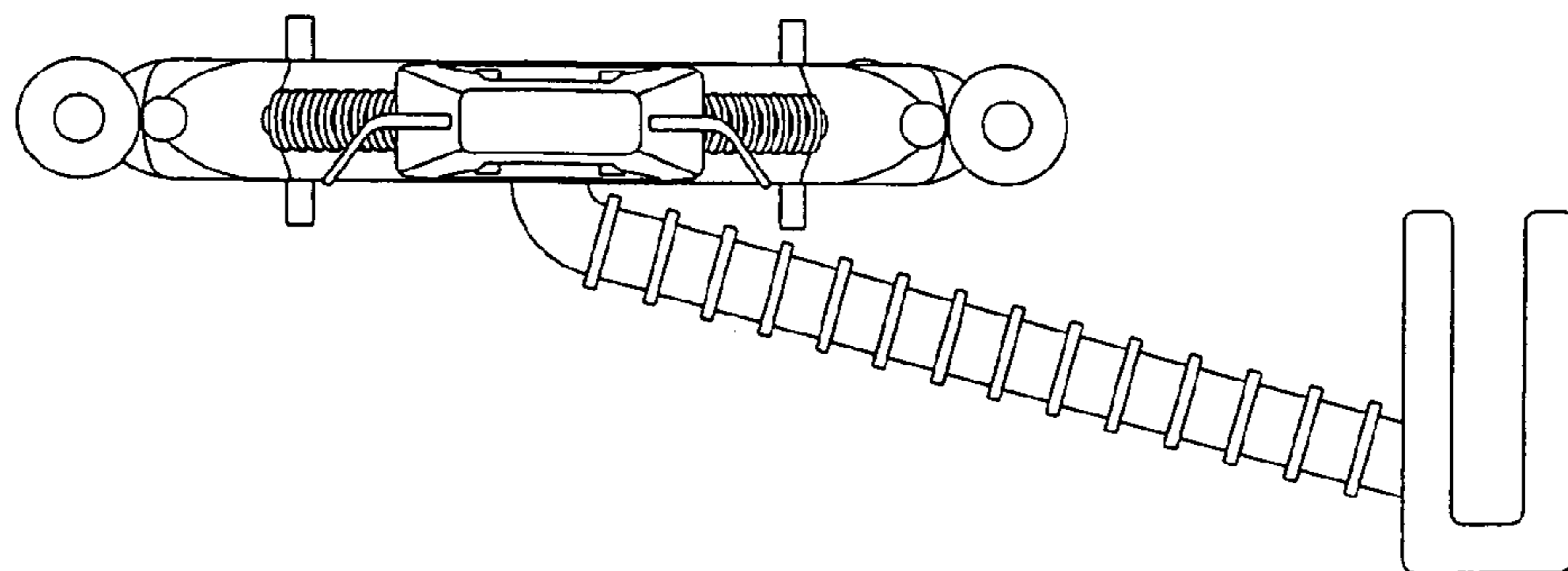


FIG. 3

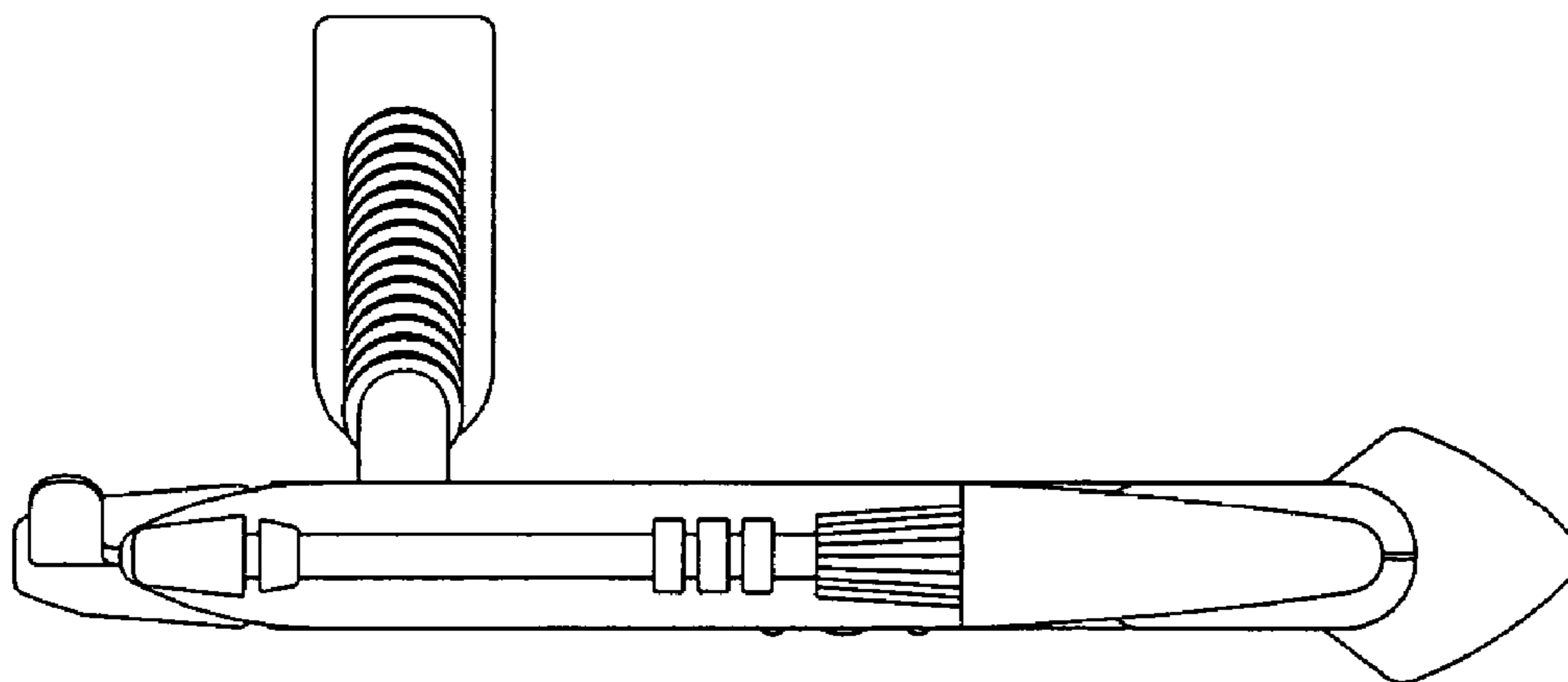


FIG. 4

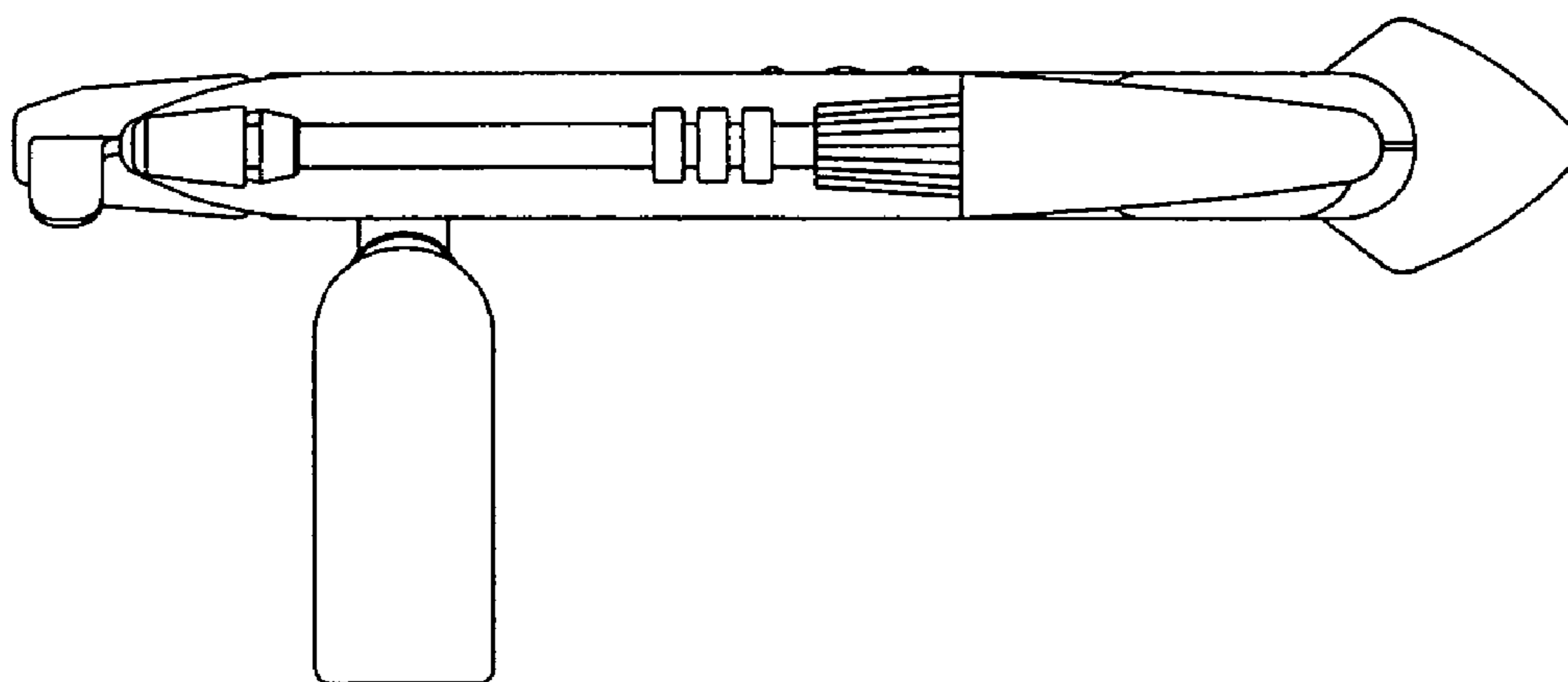


FIG. 5

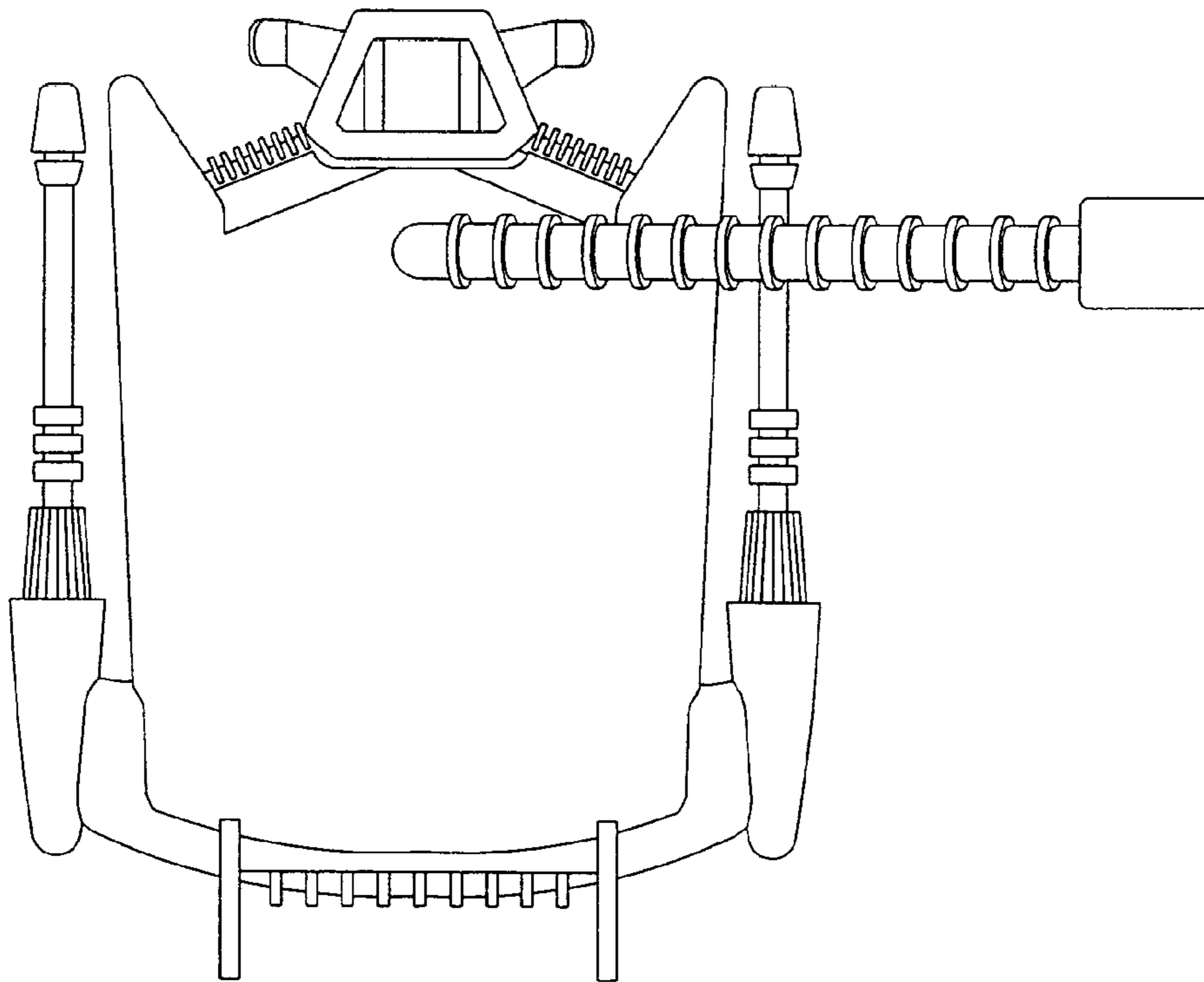


FIG. 6

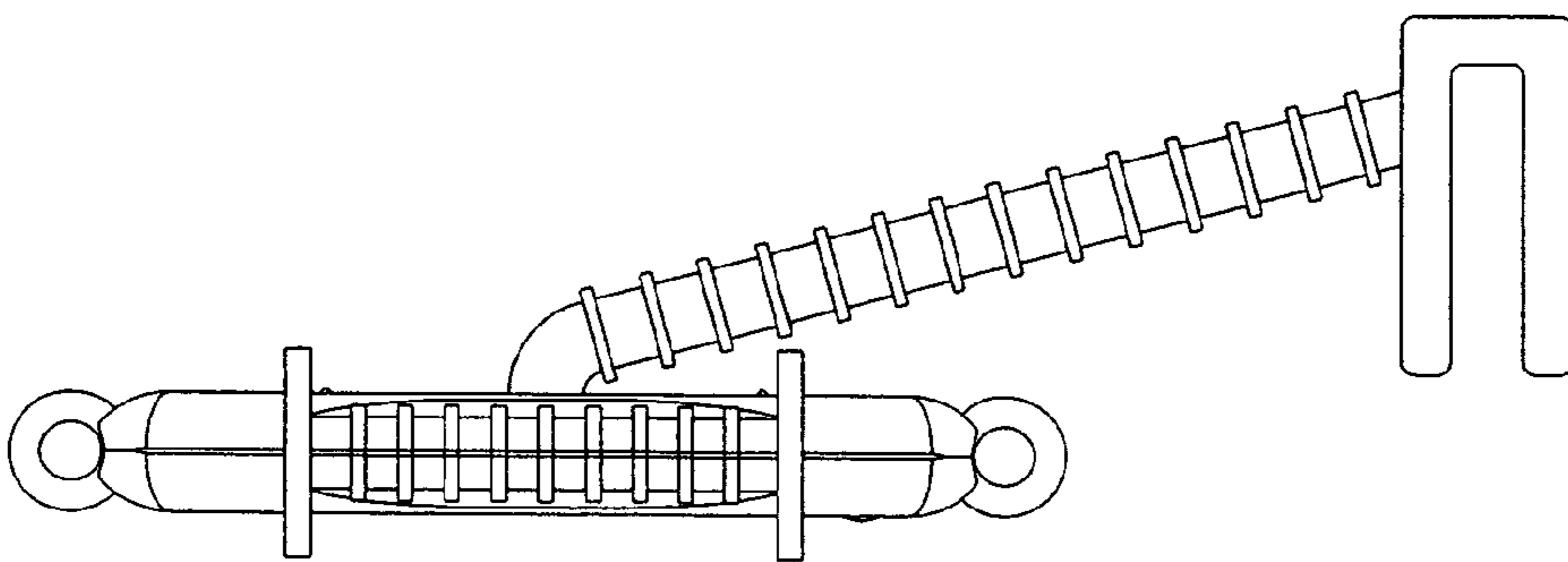


FIG. 7