

US00D594828S

(12) **United States Design Patent**  
**Dozoretz et al.**

(10) **Patent No.:** **US D594,828 S**  
(45) **Date of Patent:** **\*\* Jun. 23, 2009**

(54) **SET-TOP BOX**

(75) Inventors: **David Dozoretz**, Los Angeles, CA (US);  
**Tim Wilcox**, Burbank, CA (US); **Ryan Church**, Redondo Beach, CA (US);  
**John Duncan**, San Anselmo, CA (US)

(73) Assignee: **Zillion TV Corporation**, Sunnyvale, CA (US)

(\*\*) Term: **14 Years**

(21) Appl. No.: **29/328,529**

(22) Filed: **Nov. 25, 2008**

(51) **LOC (9) Cl.** ..... **14-03**

(52) **U.S. Cl.** ..... **D14/125**

(58) **Field of Classification Search** ..... D14/125-134,  
D14/239, 371, 136, 374-377; 312/7.2; 348/836,  
348/838, 180, 184, 325, 739; 341/12; 248/917-924,  
248/465, 123.11; 345/104, 133, 156, 168,  
345/87, 173, 169; 349/1, 2, 11, 62; 720/605,  
720/669, 600, 655, 99, 197; 455/344-347  
See application file for complete search history.

(56) **References Cited**

**U.S. PATENT DOCUMENTS**

D358,812 S \* 5/1995 Boyd ..... D14/125  
D361,758 S \* 8/1995 Youens et al. .... D14/434  
D405,064 S \* 2/1999 Iino ..... D14/434  
D406,265 S \* 3/1999 Barrese ..... D14/217

D442,955 S \* 5/2001 Reynolds et al. .... D14/480.1  
D443,254 S \* 6/2001 Jensen et al. .... D14/125  
D453,511 S \* 2/2002 Goto ..... D14/371  
D512,995 S \* 12/2005 Storti et al. .... D14/257  
D541,272 S \* 4/2007 Wang ..... D14/356  
D574,376 S \* 8/2008 Park ..... D14/257

\* cited by examiner

*Primary Examiner*—Raphael Barkai

*Assistant Examiner*—Randall H Gholson

(74) *Attorney, Agent, or Firm*—Carr & Ferrell LLP

(57) **CLAIM**

The ornamental design for a set-top box, as shown and described.

**DESCRIPTION**

FIG. 1 is a front view of the set-top box, illustrating a front view of the new design;

FIG. 2 is a left side view of the set-top box of FIG. 1;

FIG. 3 is a right side view of the set-top box of FIG. 1;

FIG. 4 is a top view of the set-top box of FIG. 1;

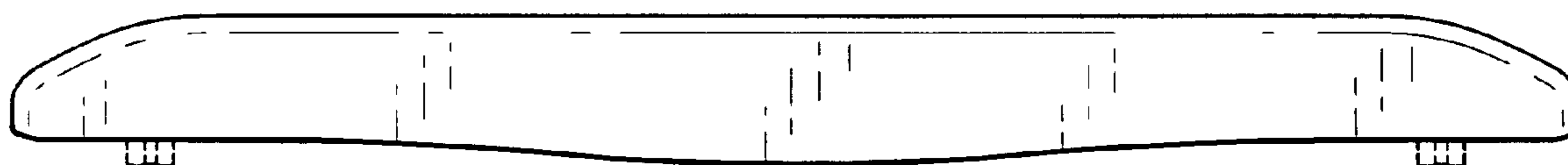
FIG. 5 is a bottom view of the set-top box of FIG. 1;

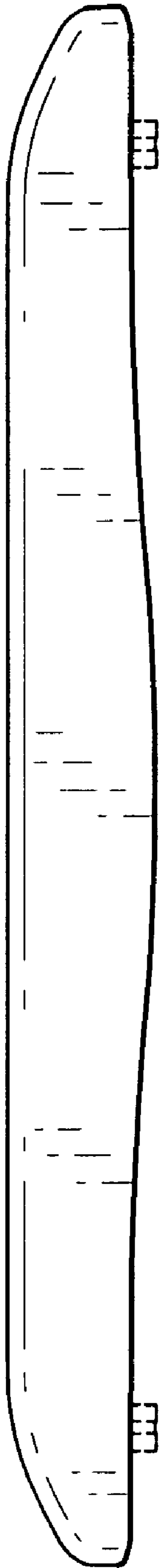
FIG. 6 is a back view of the set-top box of FIG. 1;

FIG. 7 is a first perspective view of the set-top box of FIG. 1; showing front and top views; and,

FIG. 8 is a second perspective view of the set-top box of FIG. 1, showing bottom and back views.

**1 Claim, 3 Drawing Sheets**





*FIG. 1*



*FIG. 3*



*FIG. 2*

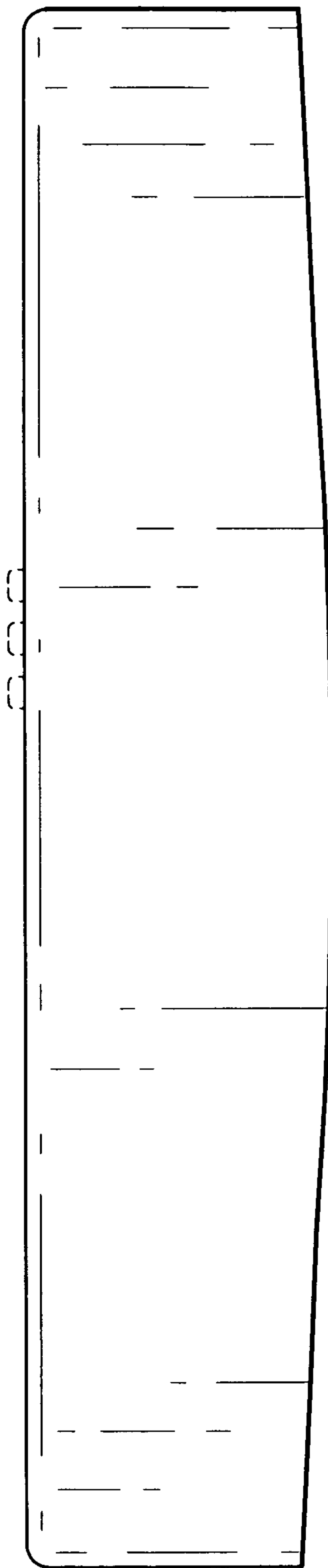


FIG. 4

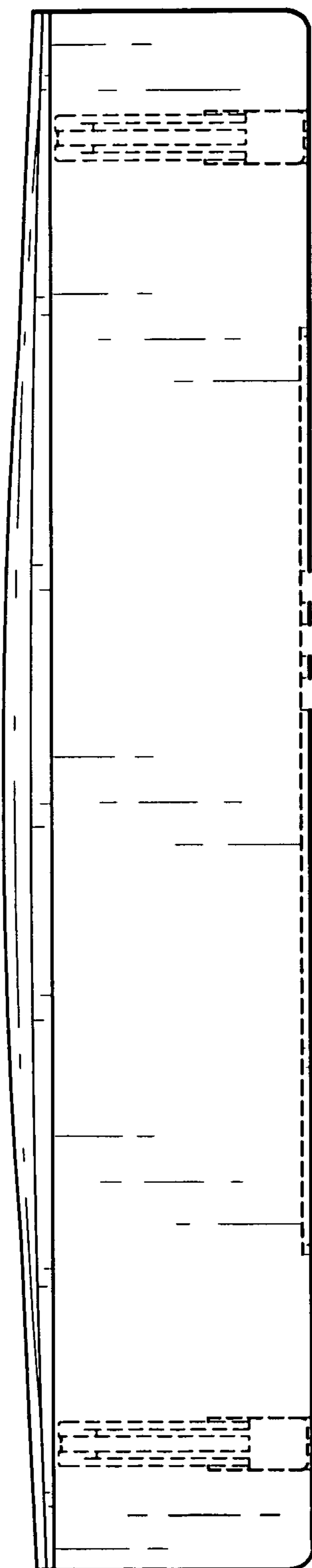


FIG. 5

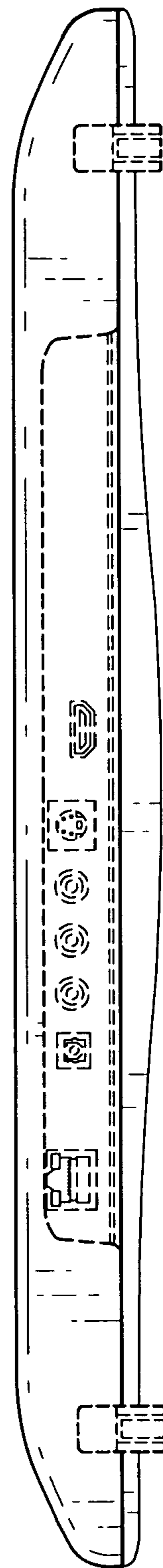
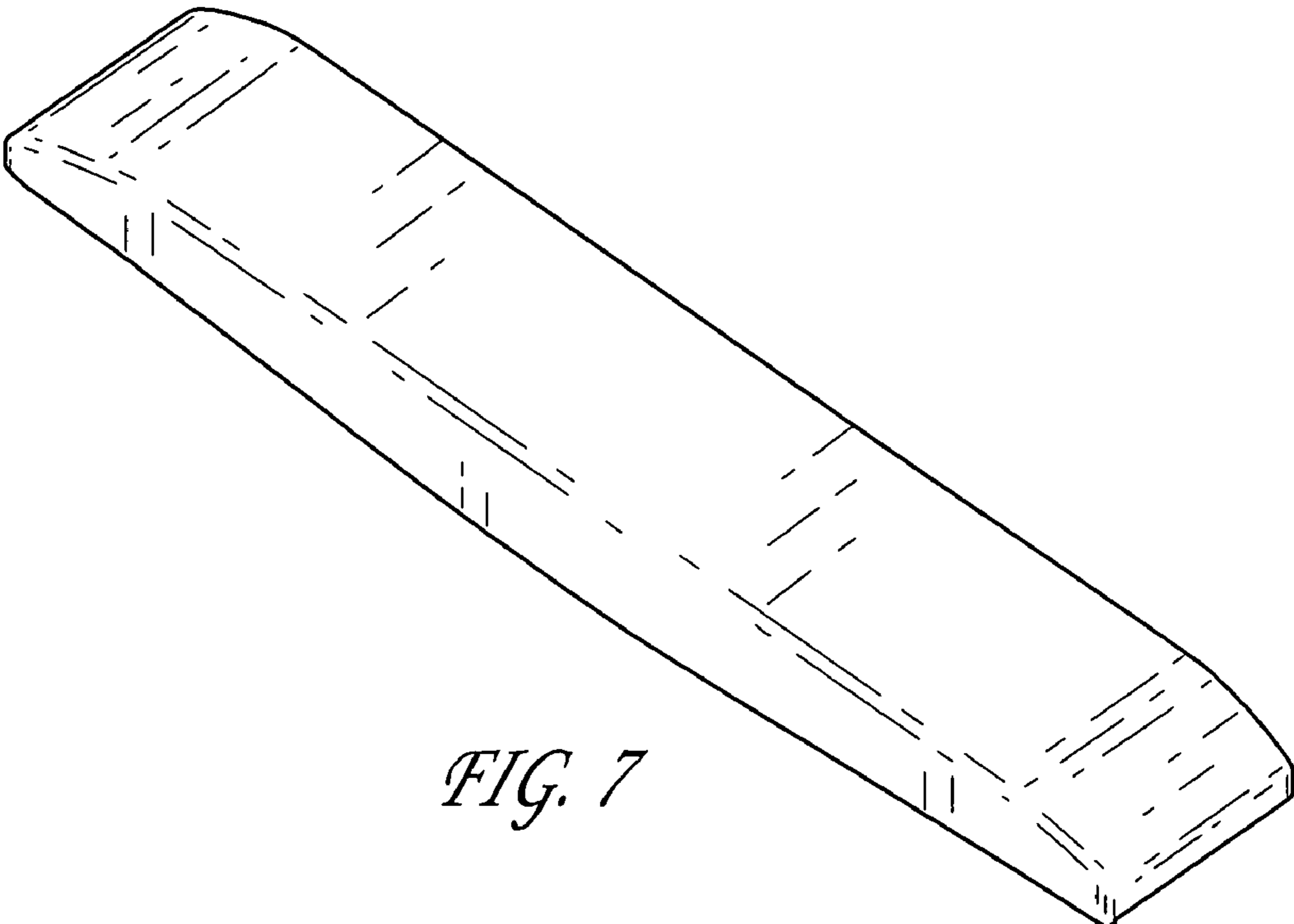
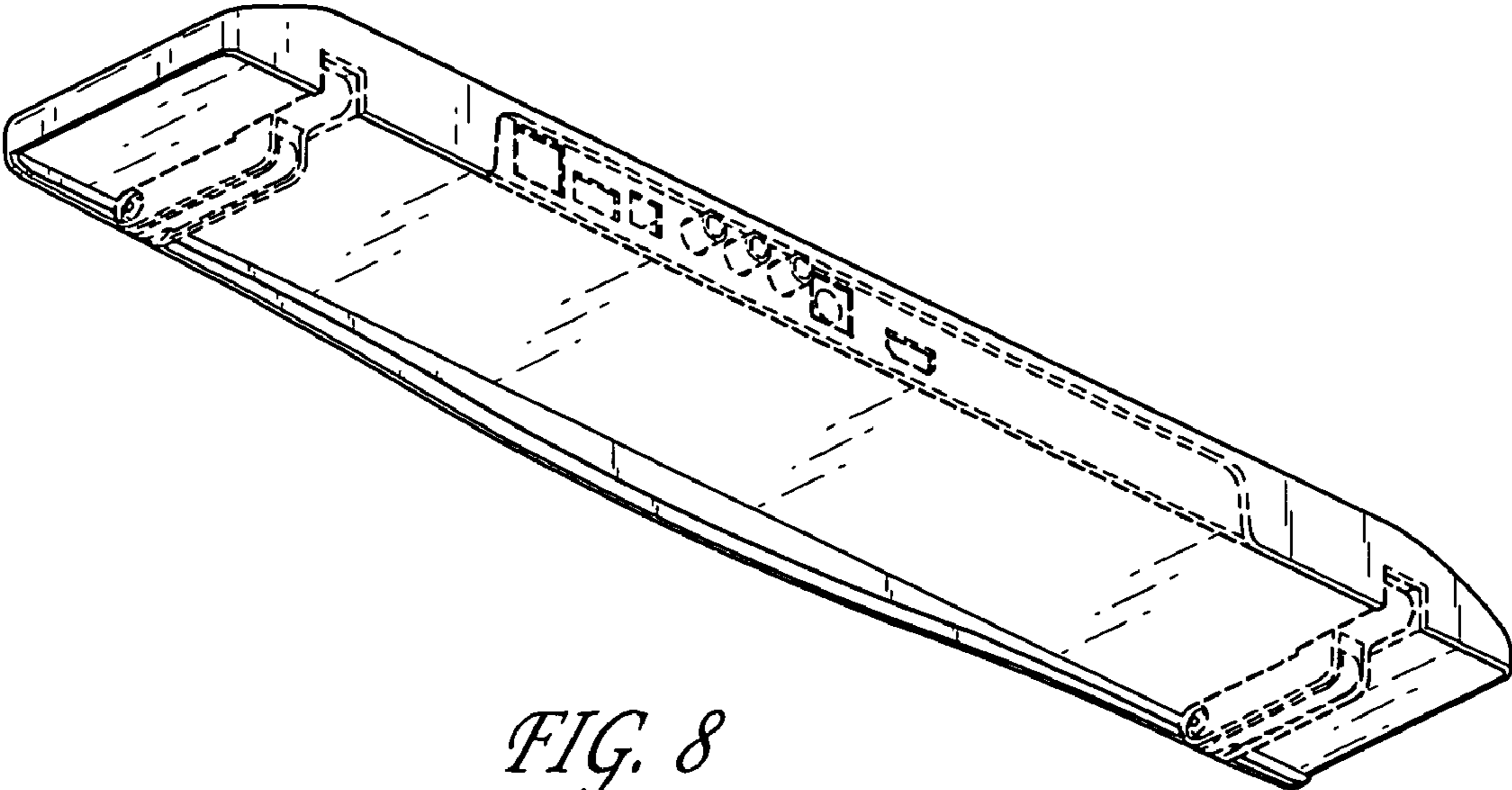


FIG. 6



*FIG. 7*



*FIG. 8*