



US00D594825S

(12) **United States Design Patent**
Sweeney et al.

(10) **Patent No.:** **US D594,825 S**
(45) **Date of Patent:** **** Jun. 23, 2009**

(54) **LAY-IN ELECTRICAL CONNECTOR**

(57) **CLAIM**

(75) Inventors: **Thomas M. Sweeney**, Cincinnati, OH (US); **Carl J. Taylor**, Cincinnati, OH (US)

The ornamental design for a lay-in electrical connector, as shown and described.

(73) Assignee: **IlSCO Corporation**, Cincinnati, OH (US)

DESCRIPTION

(**) Term: **14 Years**

(21) Appl. No.: **29/327,300**

(22) Filed: **Nov. 4, 2008**

Related U.S. Application Data

(63) Continuation-in-part of application No. 29/318,094, filed on May 13, 2008.

(51) **LOC (9) Cl.** **13-03**

(52) **U.S. Cl.** **D13/155**

(58) **Field of Classification Search** D13/146-149, D13/151-155, 184; 439/412-413, 521, 709, 439/810-811, 814, 724, 798; 174/145
See application file for complete search history.

(56) **References Cited**

U.S. PATENT DOCUMENTS

2,456,259	A *	12/1948	Dorjee	174/145
3,594,710	A *	7/1971	Stanback	439/724
4,146,290	A *	3/1979	Annas et al.	439/810
D409,576	S *	5/1999	Wood et al.	D13/154
5,957,733	A *	9/1999	Mello et al.	439/810
6,325,675	B1	12/2001	Harmeyer	
6,338,658	B1	1/2002	Sweeney	
6,664,469	B1	12/2003	Sweeney	
D536,307	S	2/2007	Rizzo et al.	

OTHER PUBLICATIONS

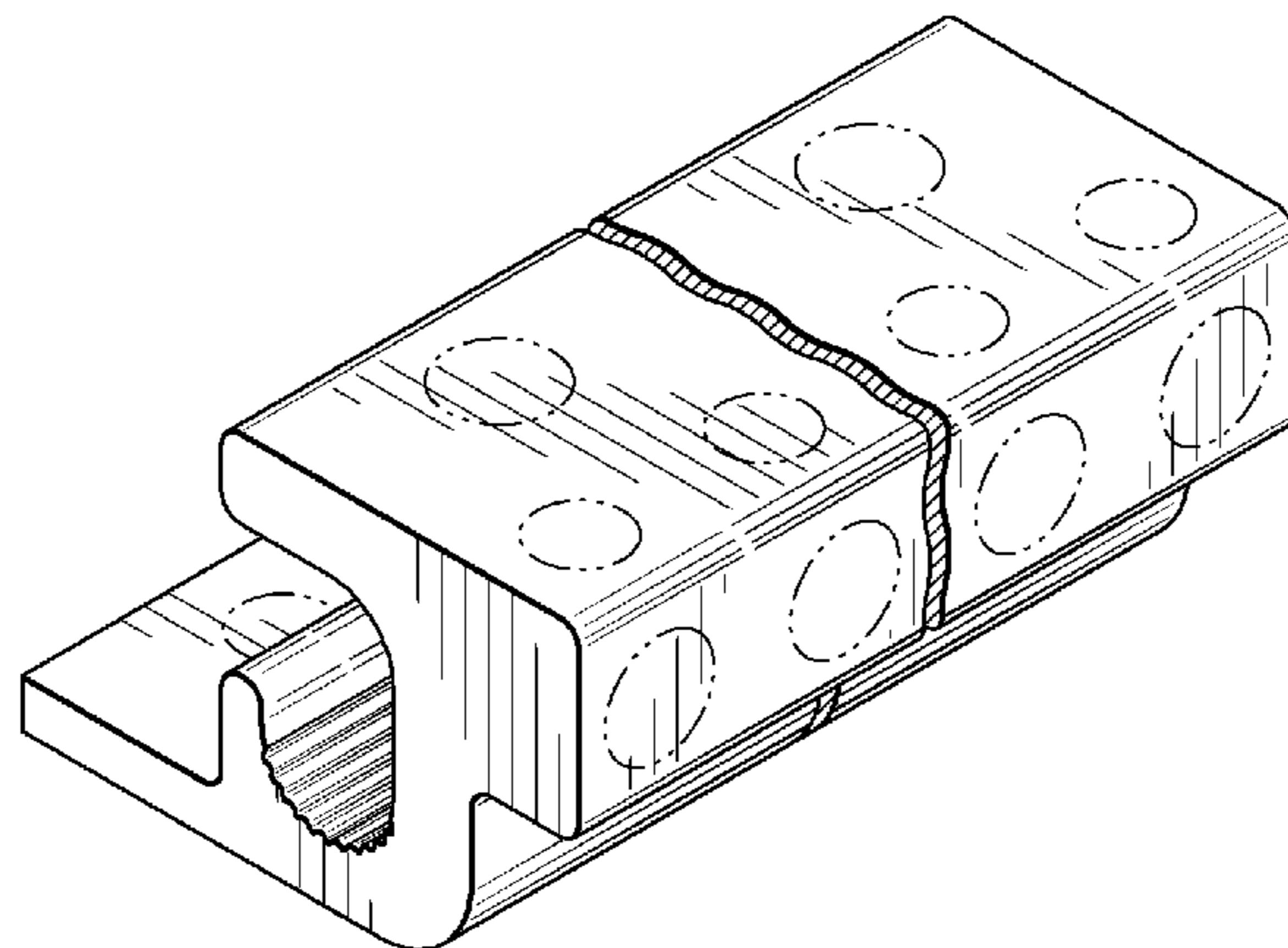
IlSCO Corp., Drawing No. S6345-00, Aug. 7, 2007, one page.
IlSCO Corp., Drawing No. S6325-00, Aug. 7, 2007, one page.

(Continued)

Primary Examiner—Brian N Vinson

(74) *Attorney, Agent, or Firm*—Wood, Herron & Evans, LLP

1 Claim, 4 Drawing Sheets



OTHER PUBLICATIONS

IlSCO Corp., Drawing No. S6305, Aug. 9, 2007, one page.
IlSCO Corp., Drawing No. S6260, Aug. 6, 2007, one page.
IlSCO Corp., Drawing No. S6200, Aug. 6, 2007, one page.
IlSCO Corp., Drawing No. M0540-22, Jan. 10, 2008, one page.
IlSCO Corp., Drawing No. M0539-22, Jan. 15, 2008, one page.

IlSCO Corp., Drawing No. M0460-22, Jan. 15, 2008, one page.
IlSCO Corp., Drawing No. M0413-22, Jan. 9, 2008, one page.
IlSCO Corp., Drawing No. M0405-22, Jan. 8, 2008, one page.
IlSCO Corp., Drawing No. G0778-22, Jul. 17, 2007, one page.
IlSCO Corp., Drawing No. G0518, Aug. 29, 2007, one page.

* cited by examiner

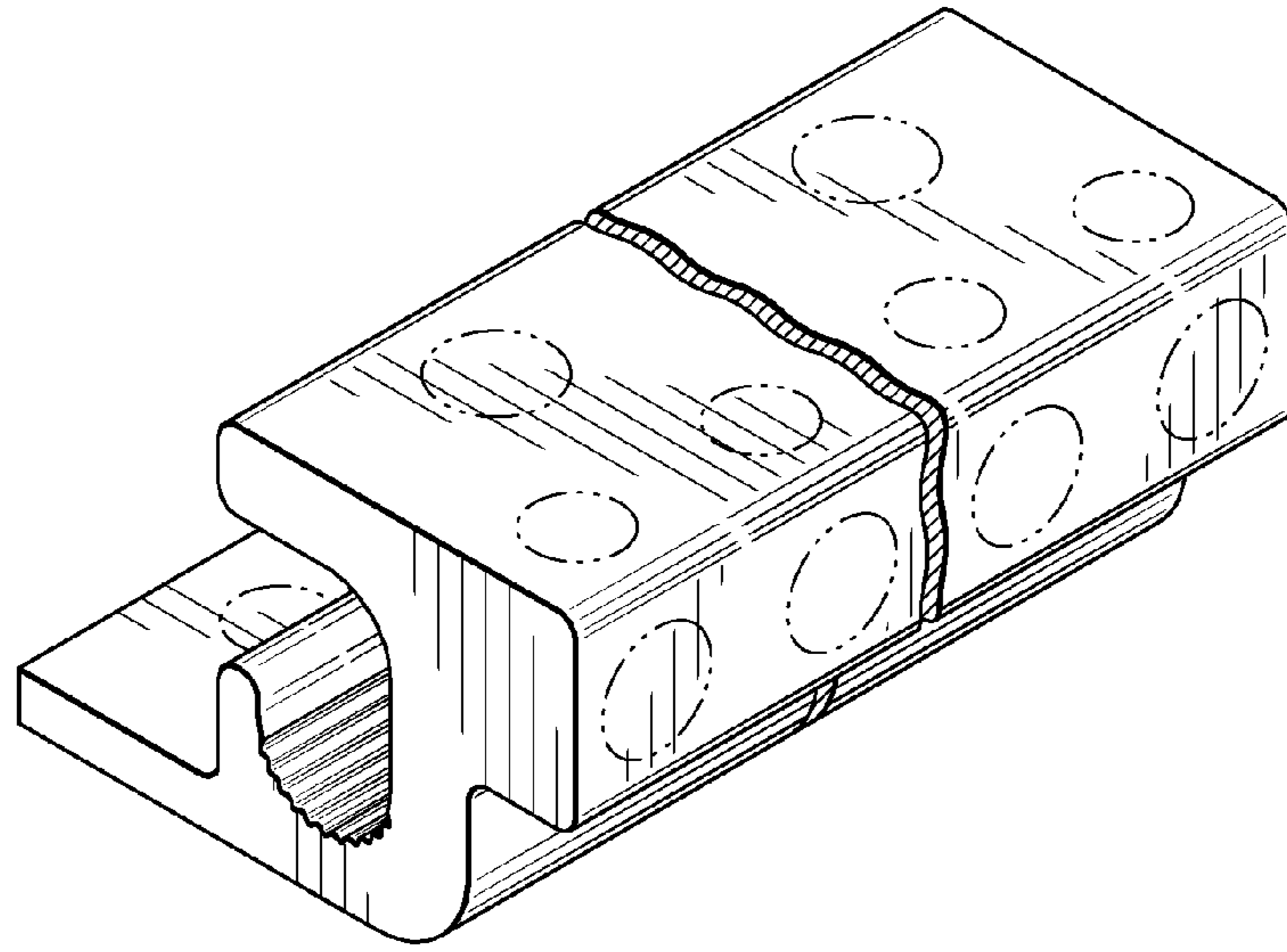


FIG. 1

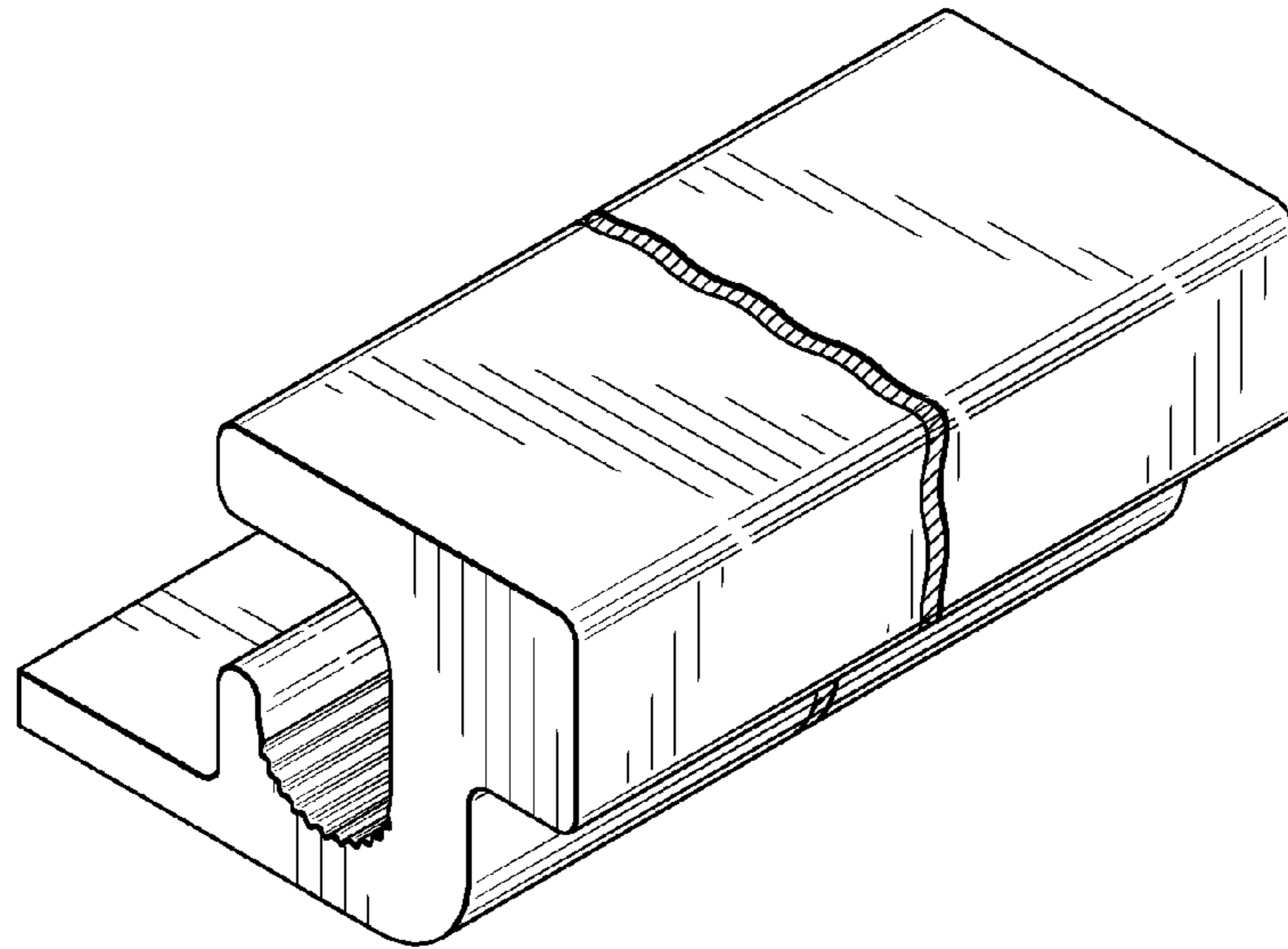


FIG. 2

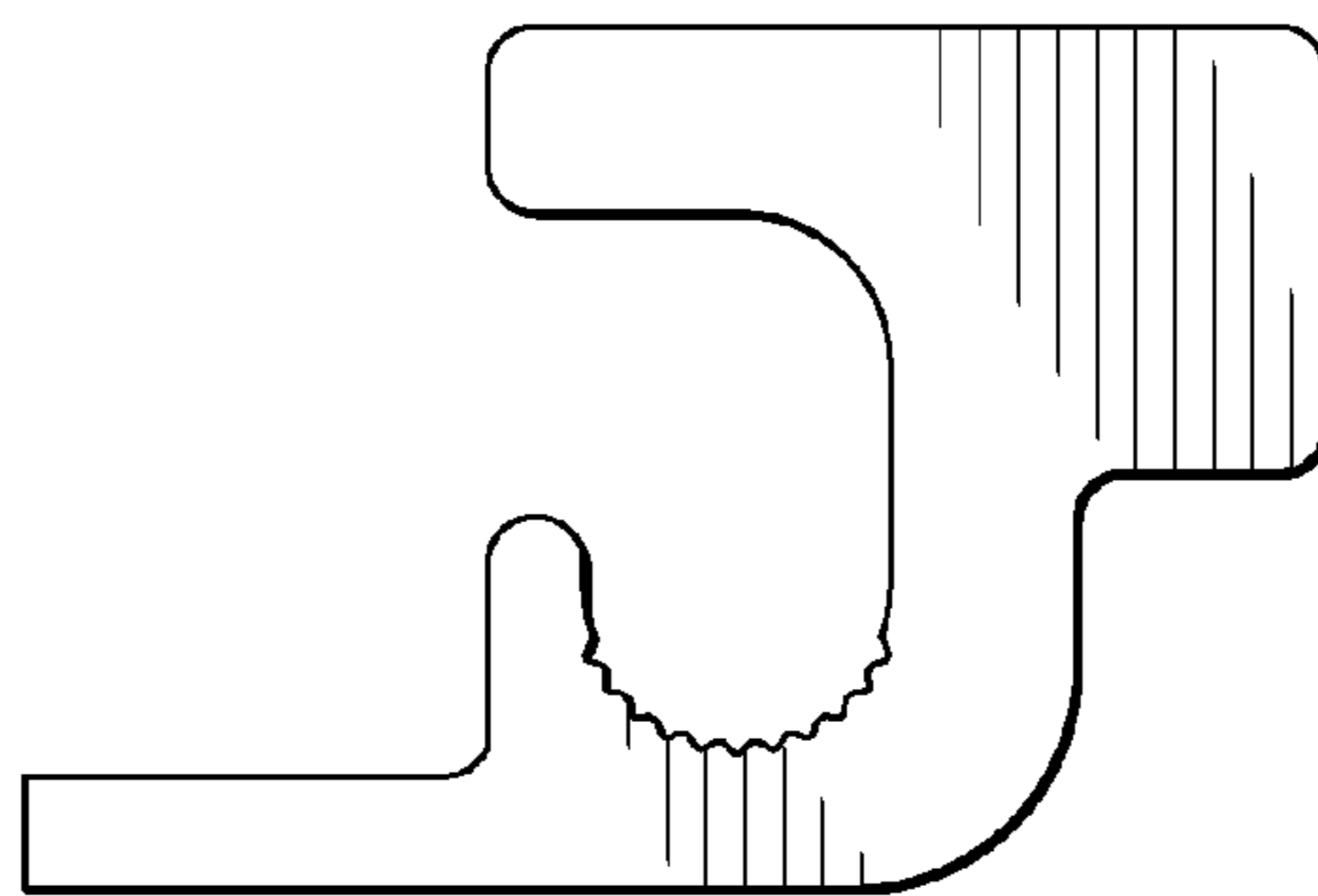


FIG. 3

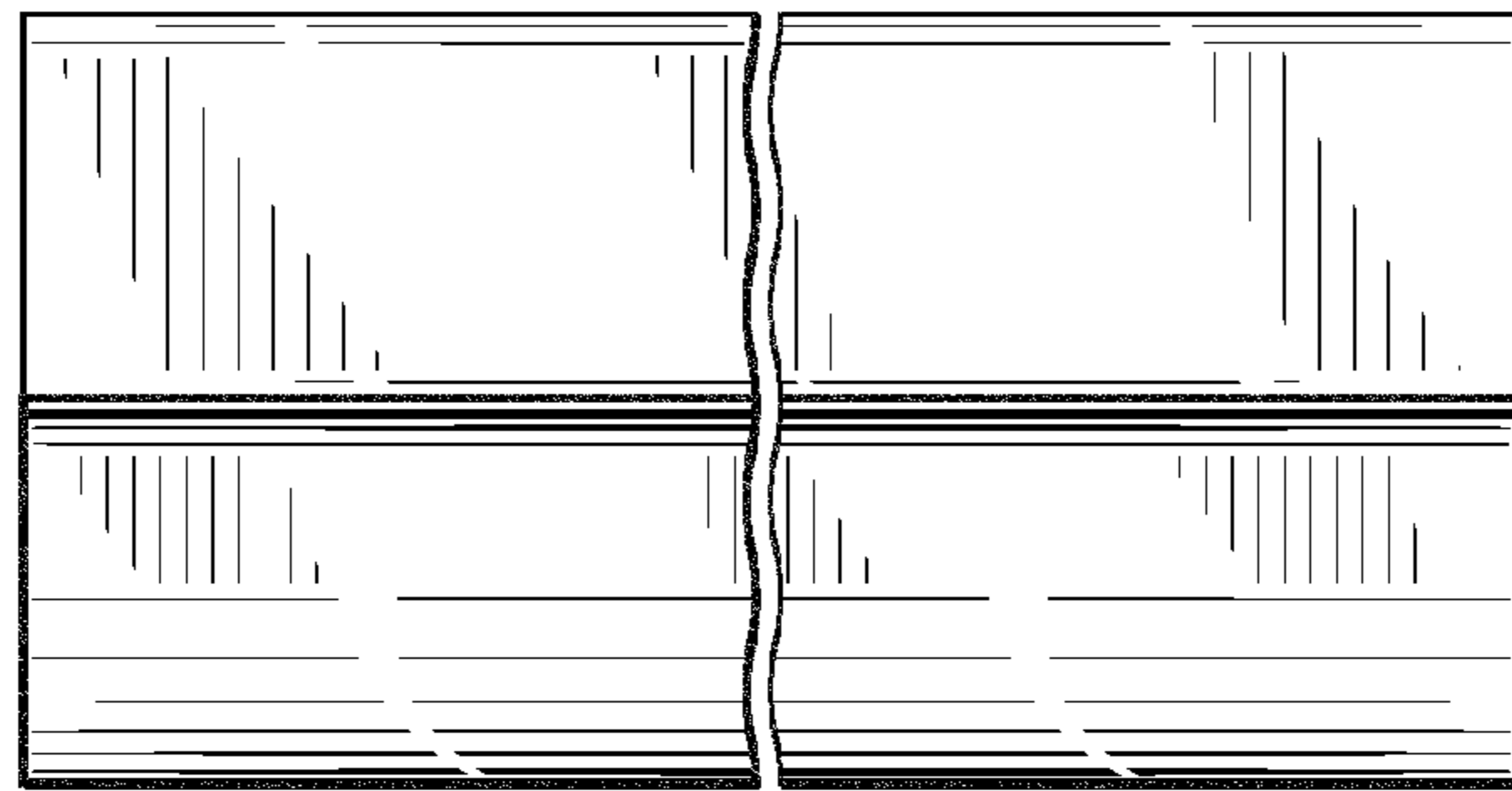


FIG. 4

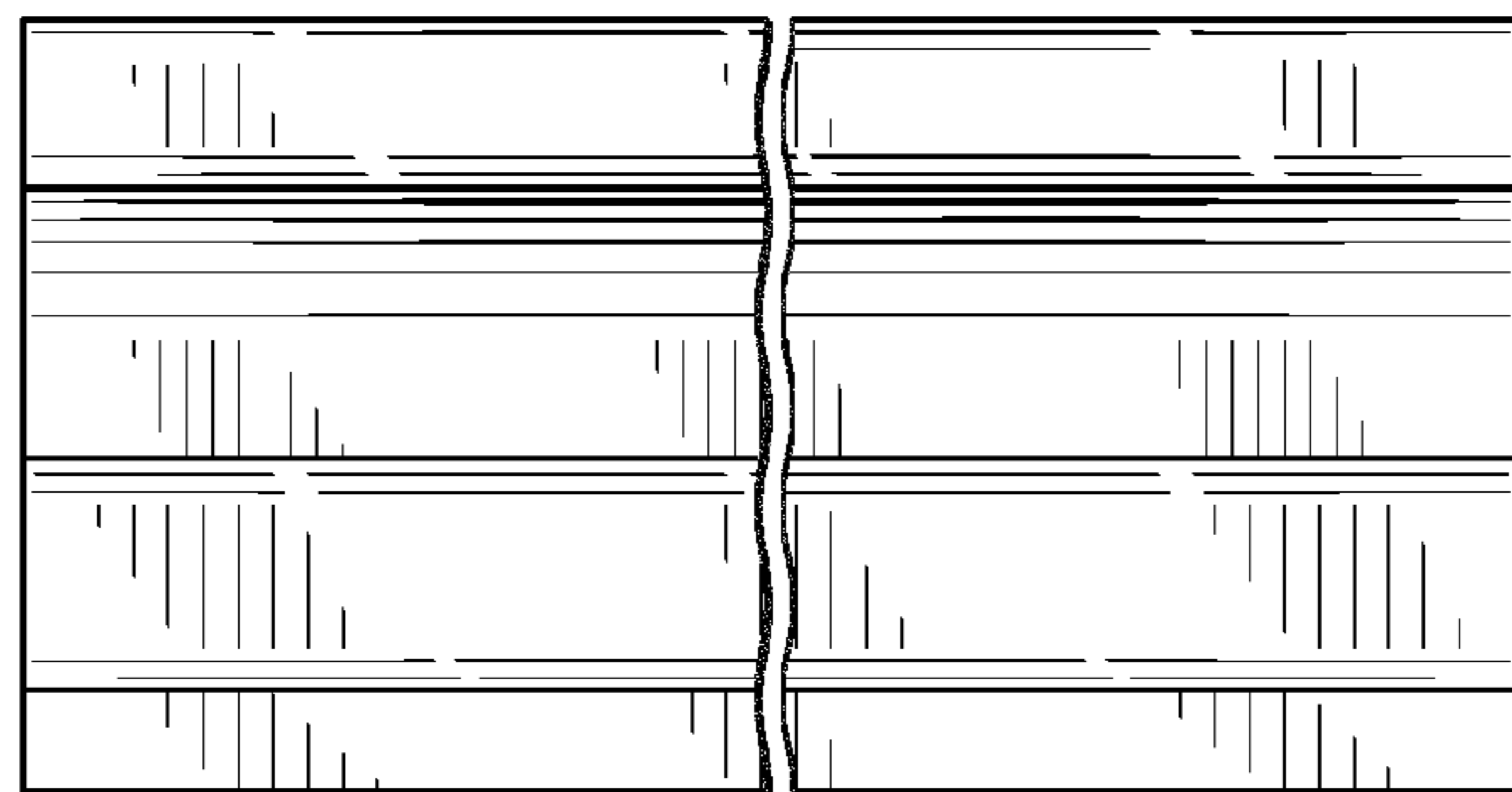


FIG. 5

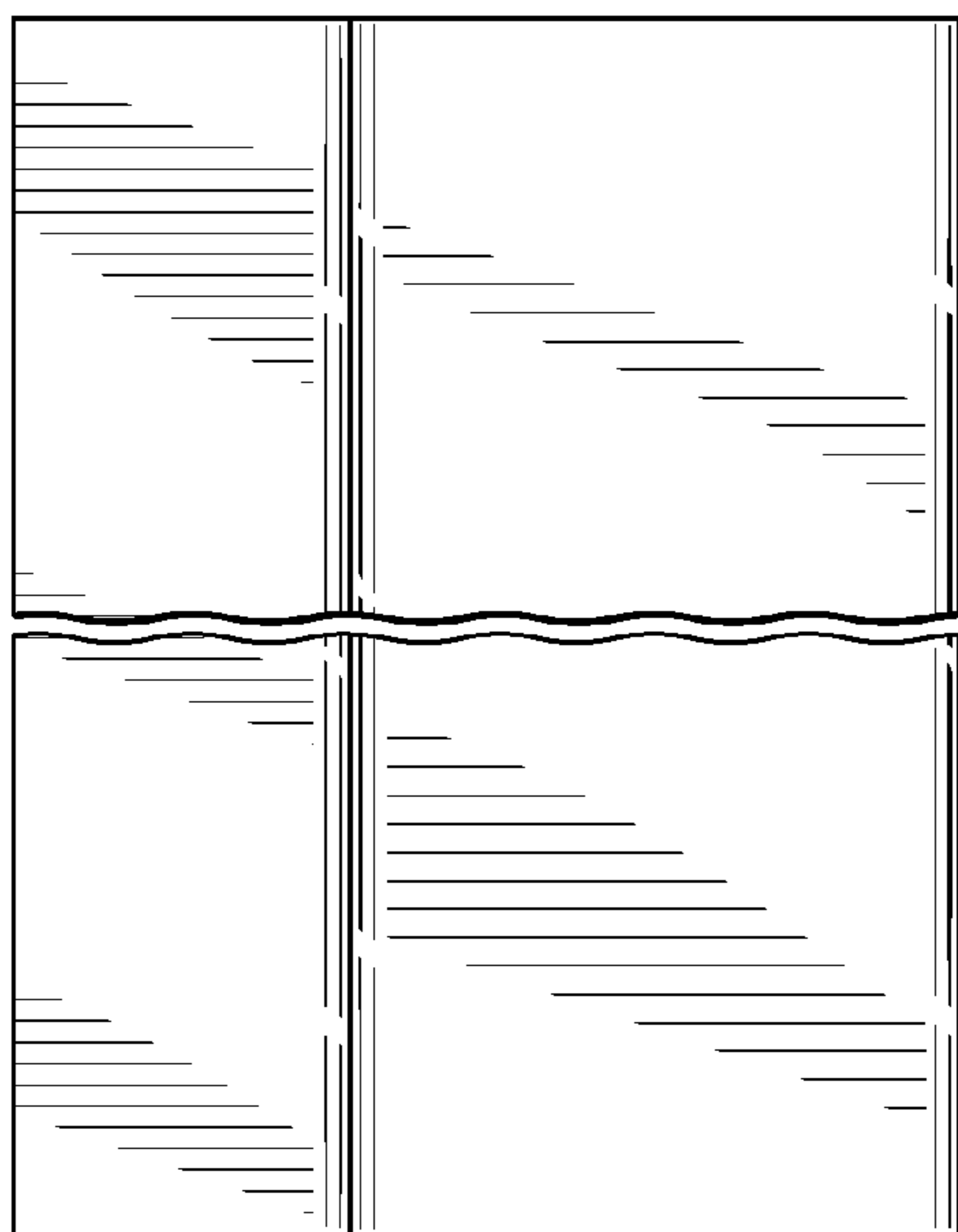


FIG. 6

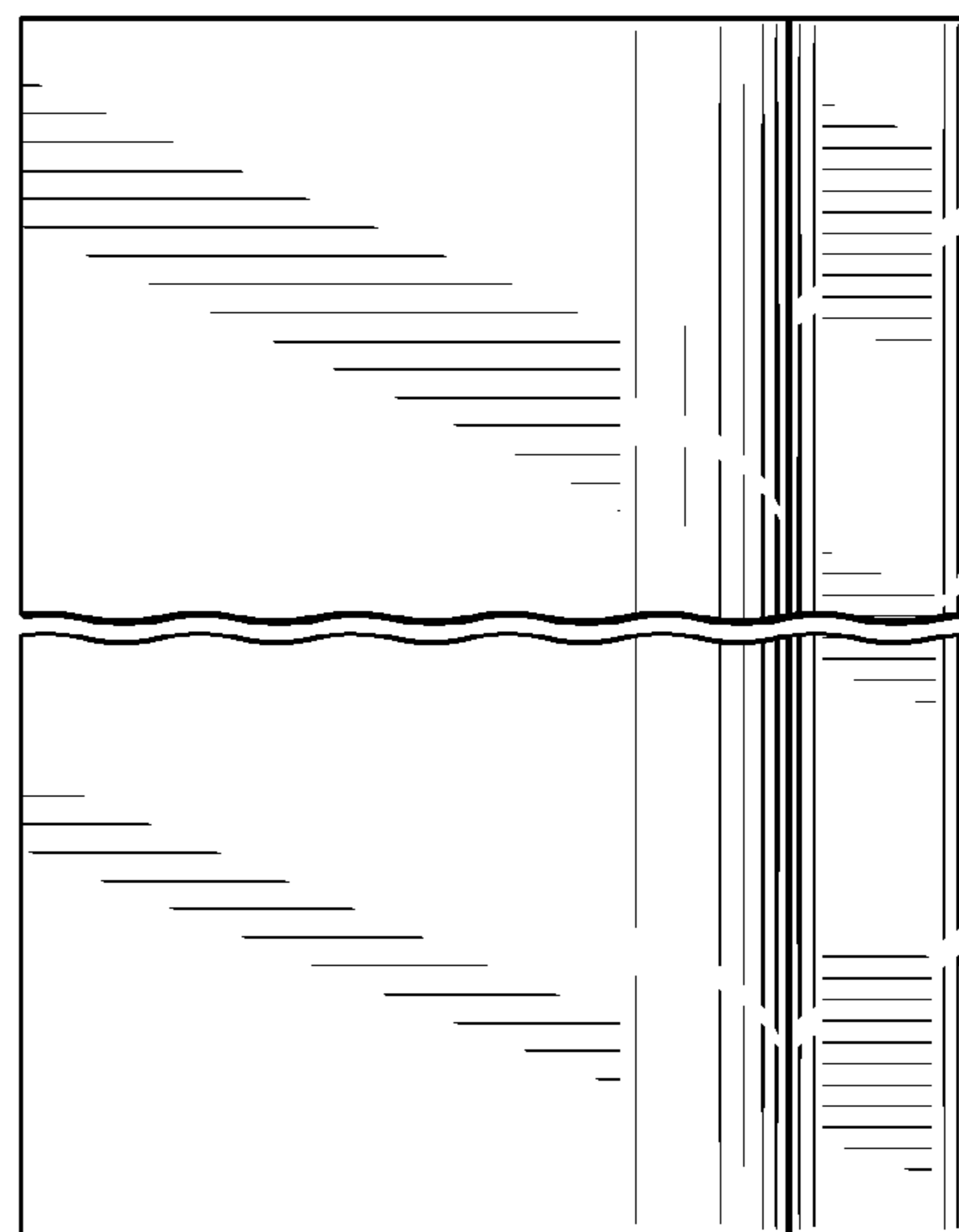


FIG. 7

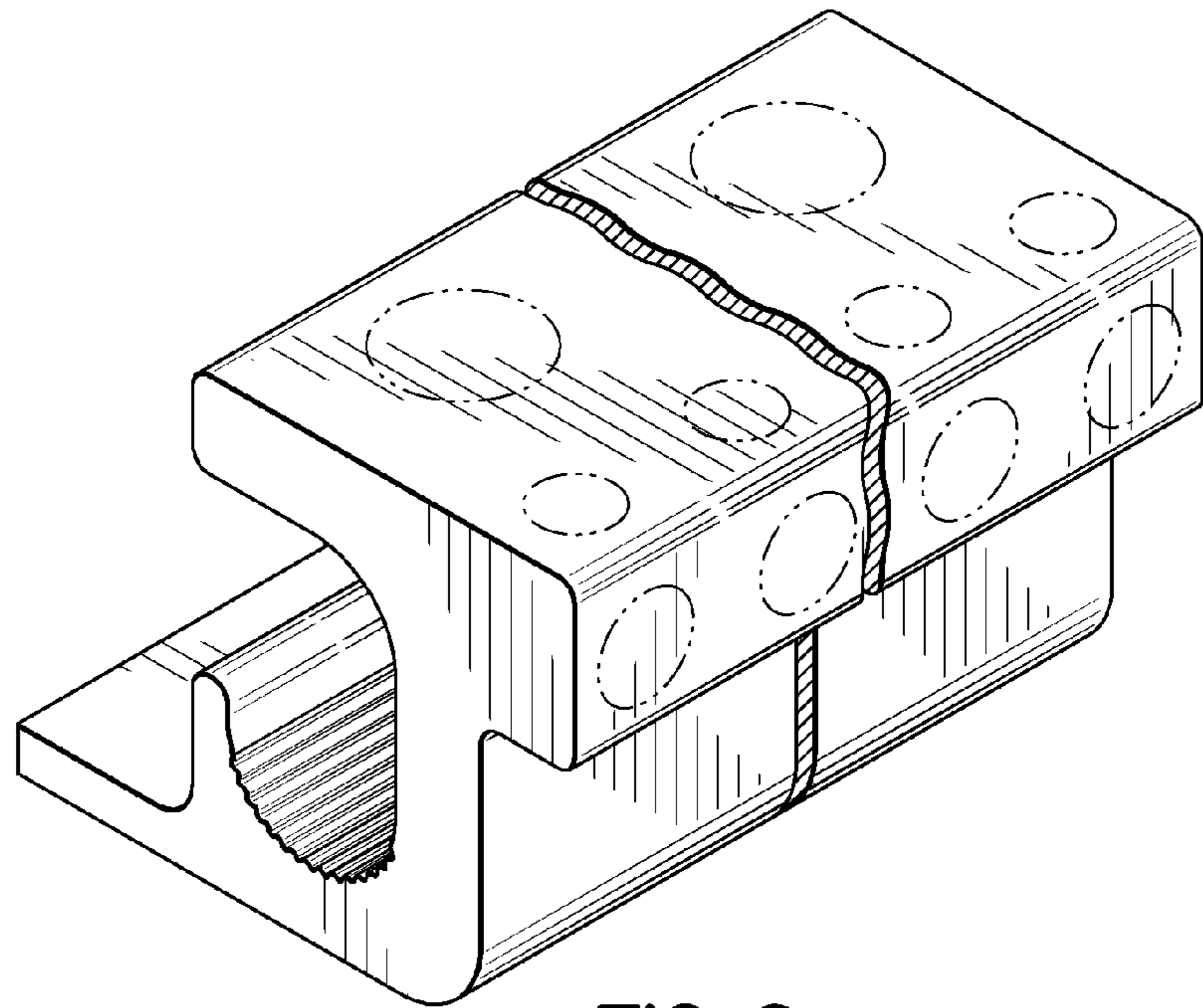


FIG. 8

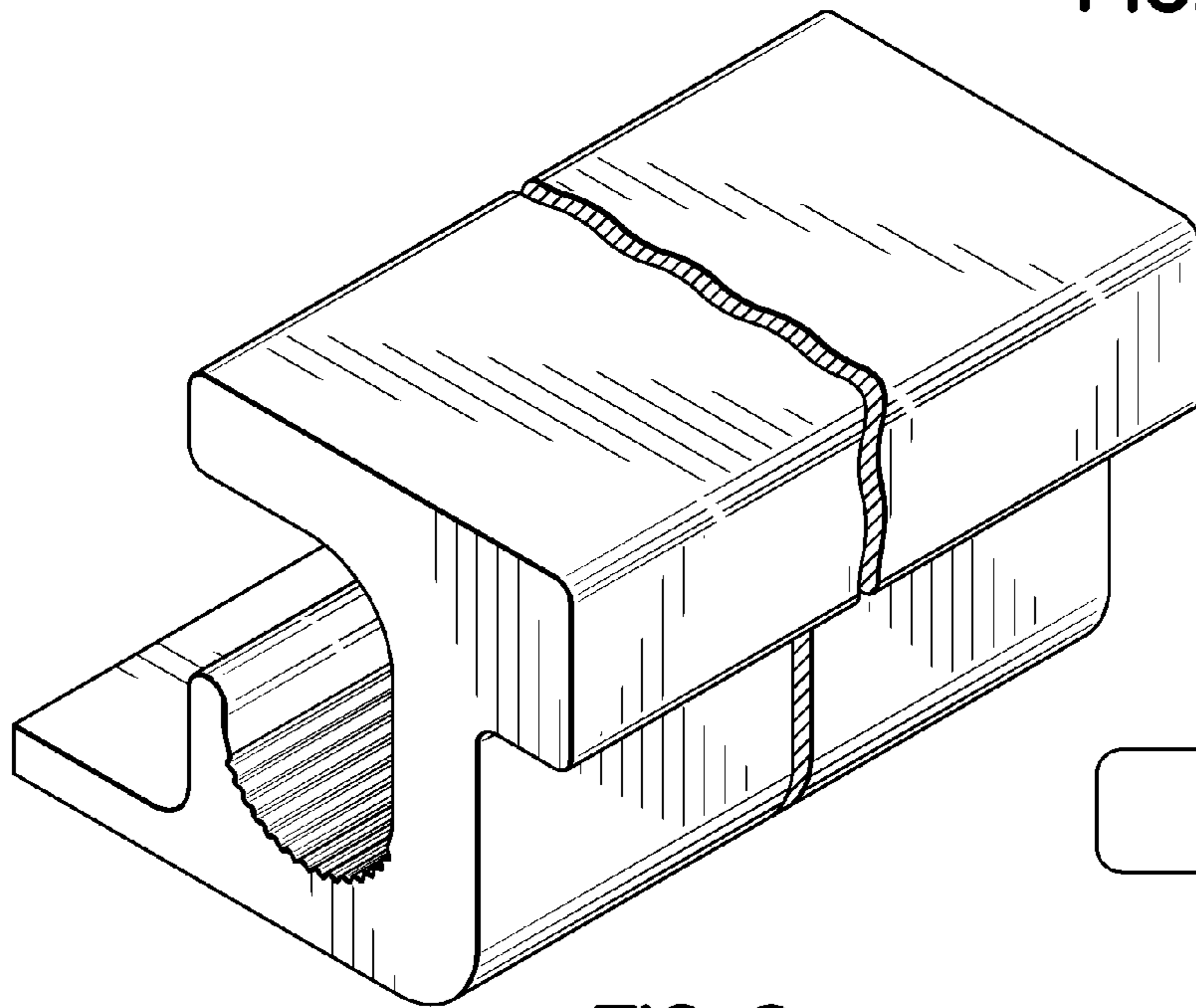


FIG. 9

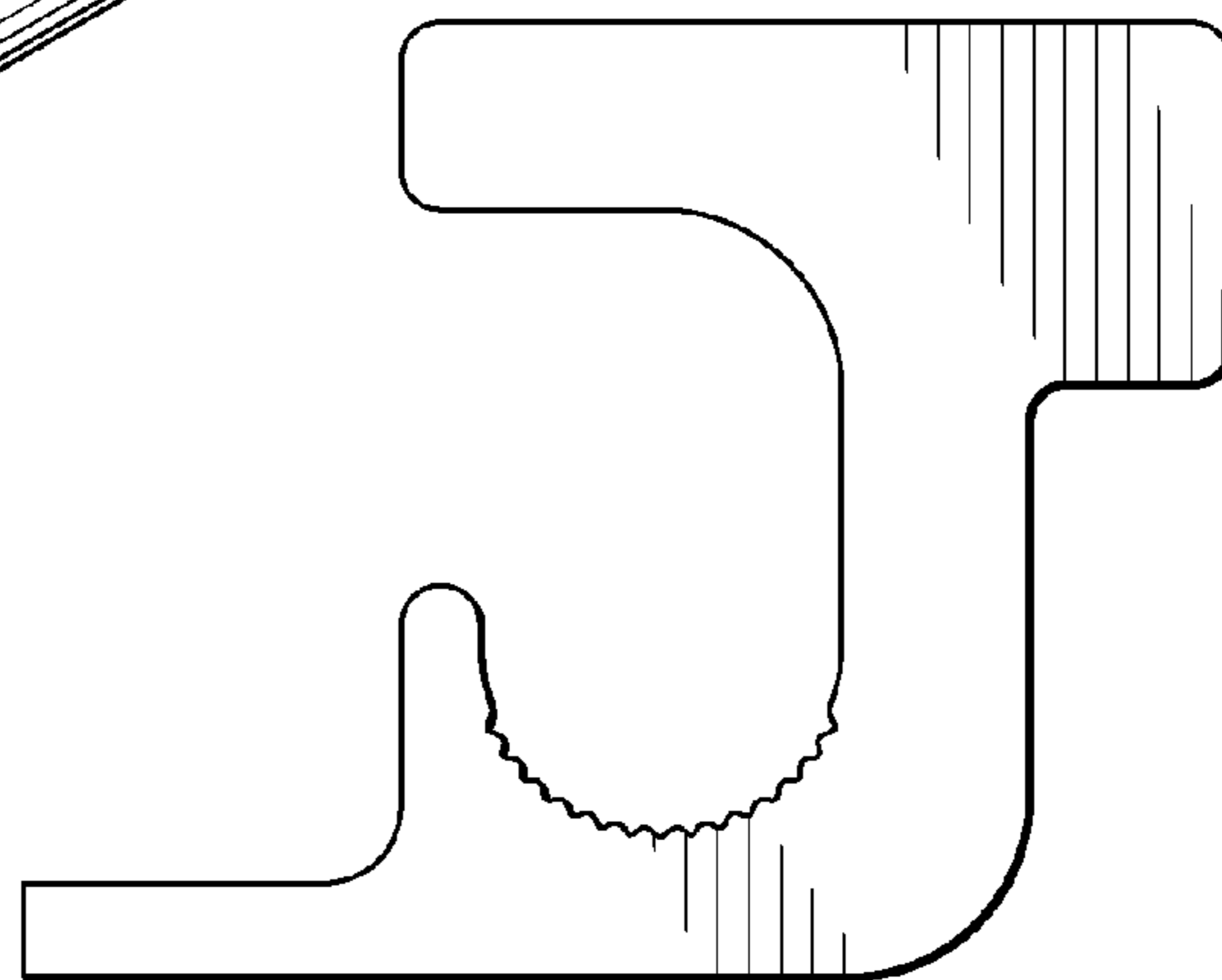


FIG. 10

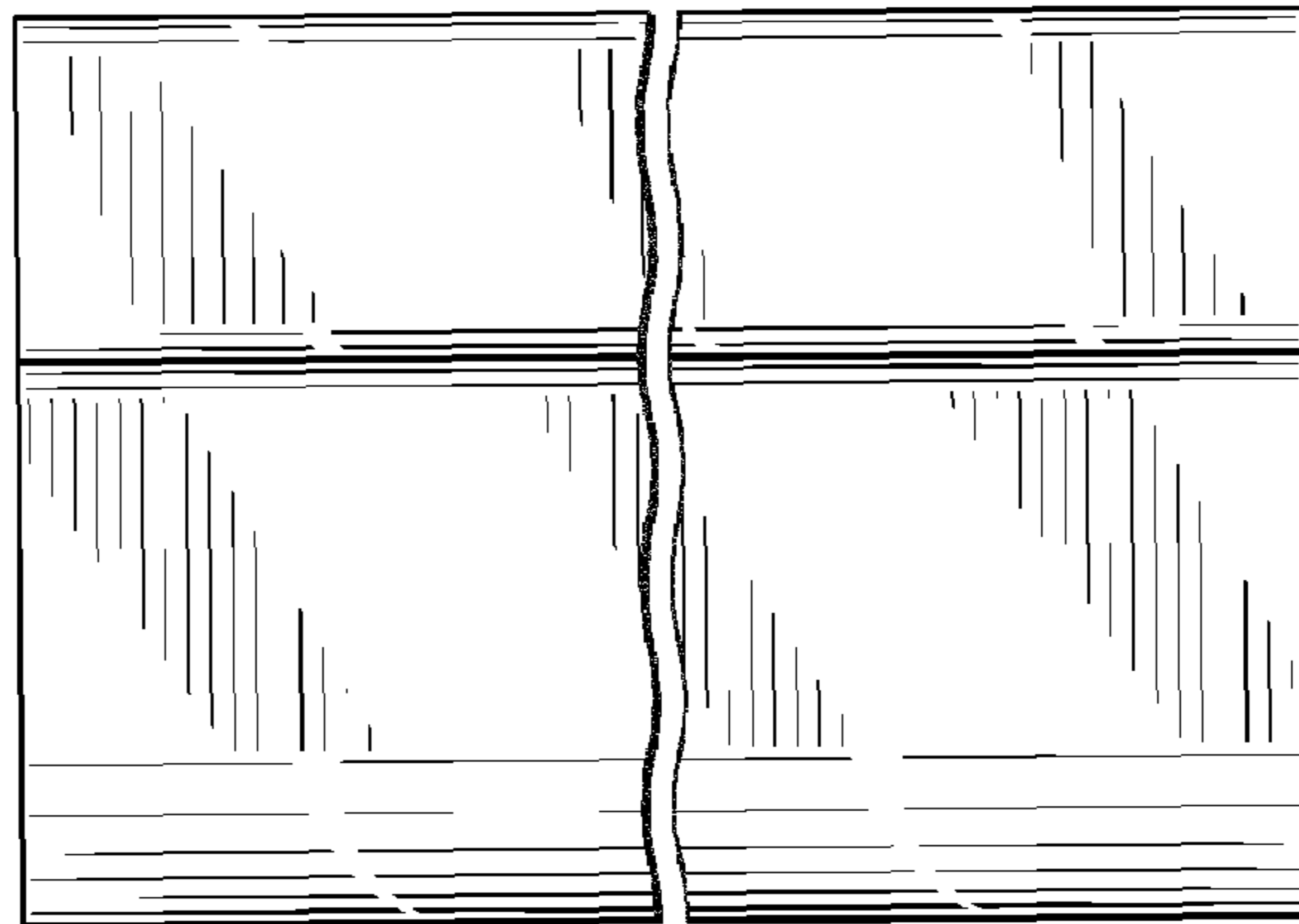


FIG. 11

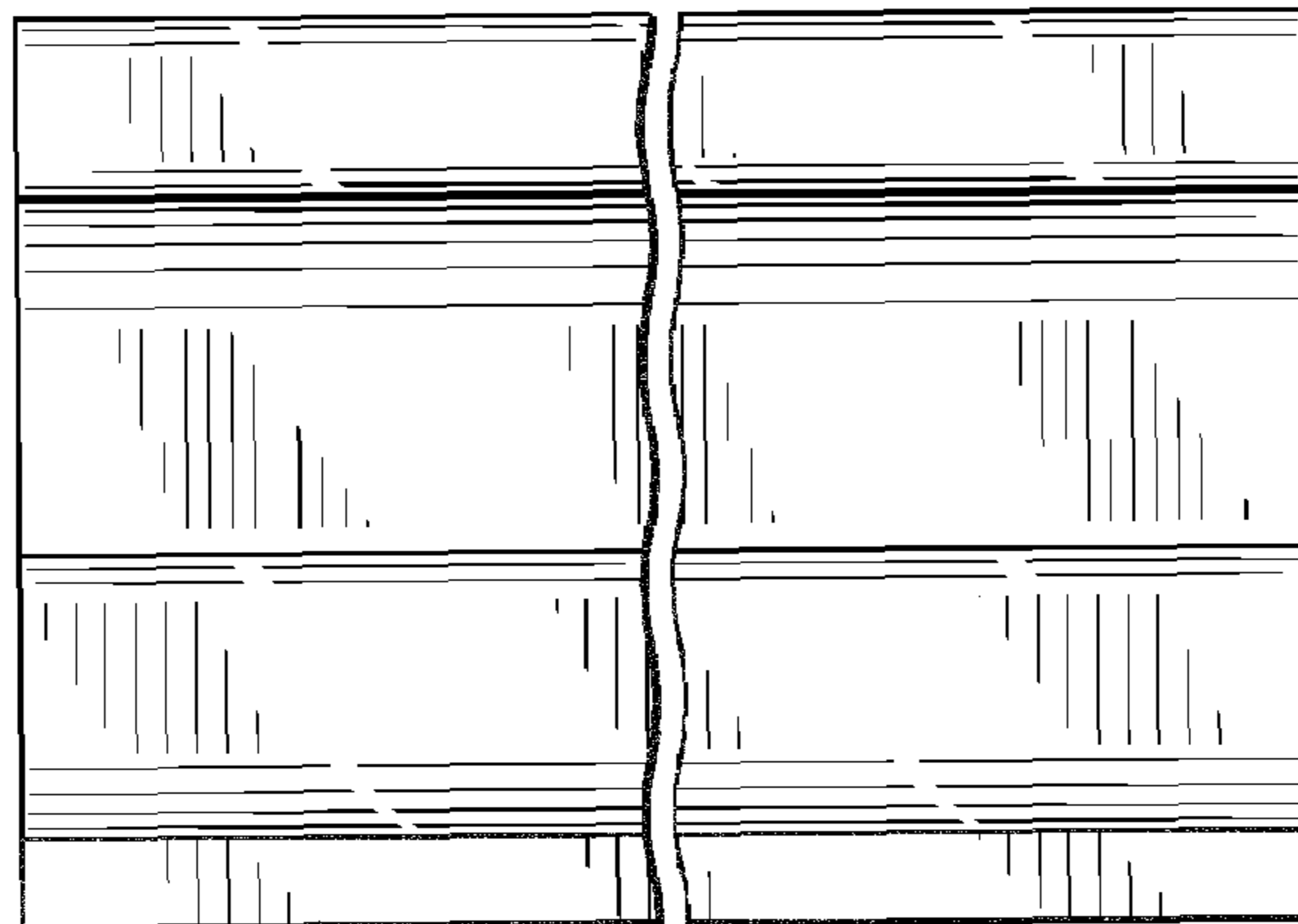


FIG. 12

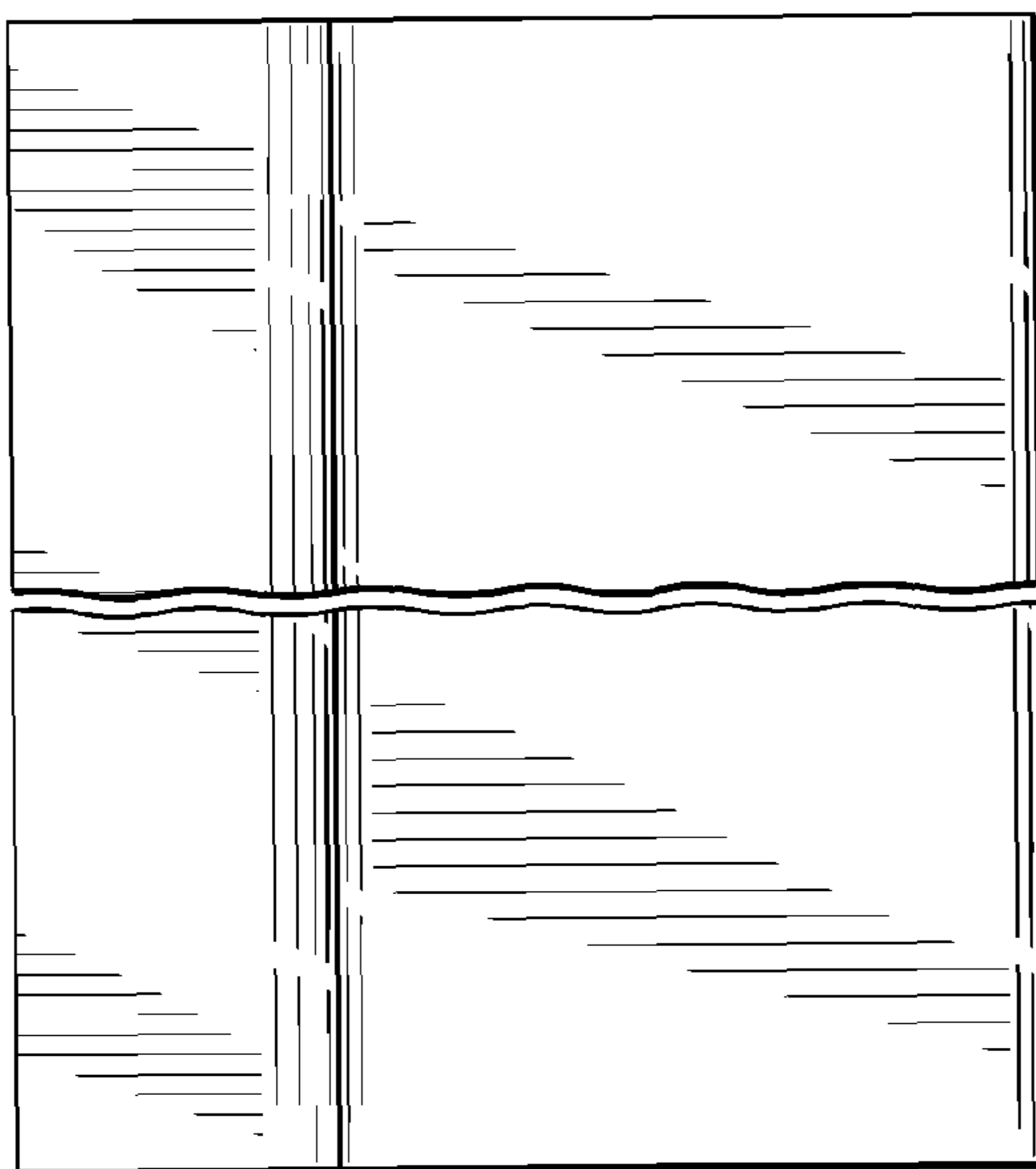


FIG. 13

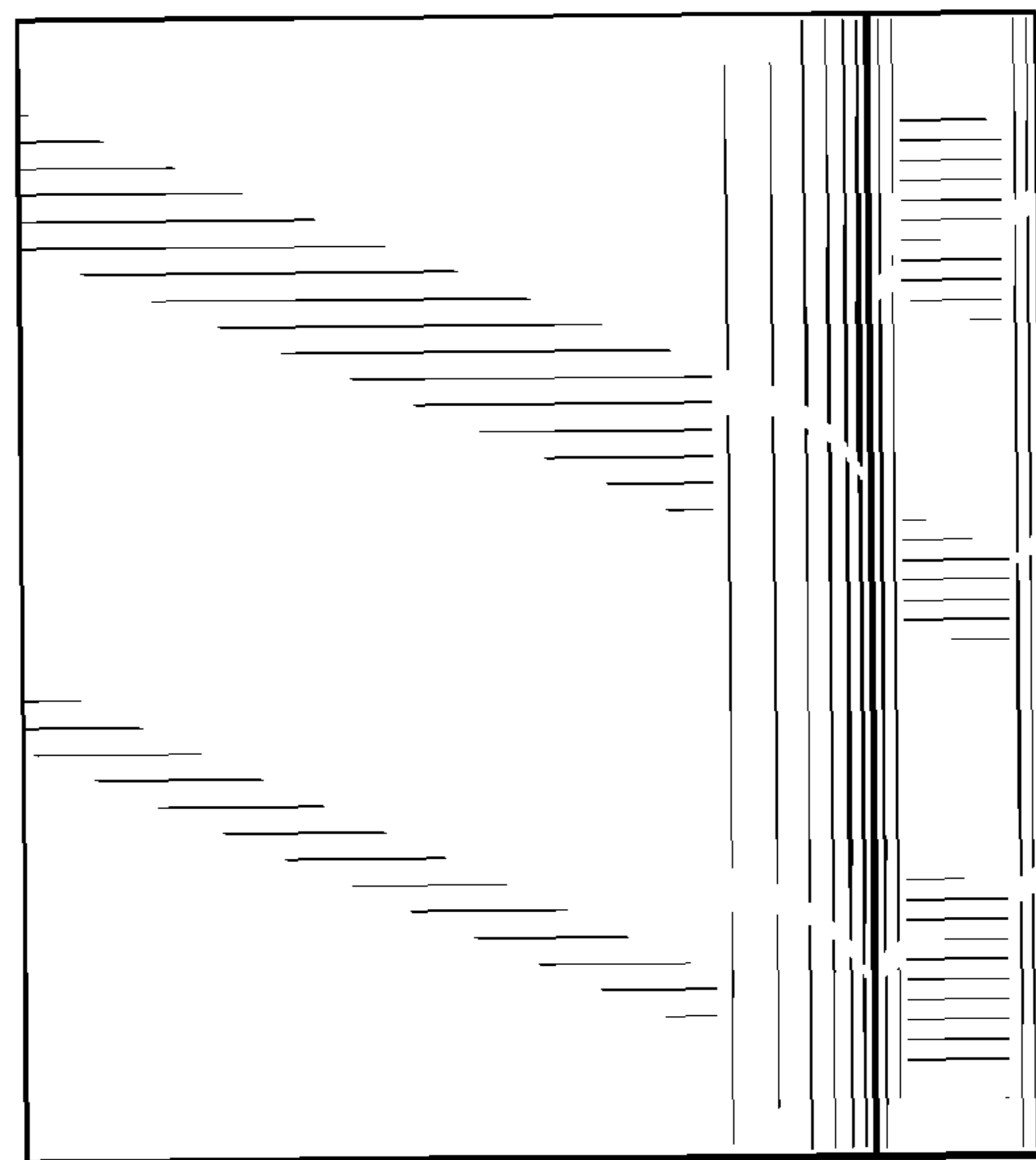


FIG. 14