



US00D594824S

(12) **United States Design Patent**
Mase

(10) **Patent No.:** **US D594,824 S**
(45) **Date of Patent:** **** Jun. 23, 2009**

(54) **ELECTRICAL CONNECTOR HOUSING**

D522,459 S * 6/2006 Chen et al. D13/147
2005/0124218 A1 * 6/2005 Chen et al. 439/607

(75) Inventor: **Tsuyoshi Mase**, Yokkaichi (JP)

* cited by examiner

(73) Assignee: **Sumitomo Wiring Systems, Ltd.**,
Yokkaichi-shi, Mie-Ken (JP)

Primary Examiner—Daniel D Bui
(74) *Attorney, Agent, or Firm*—Sawyer Law Group, P.C.

(**) Term: **14 Years**

(57) **CLAIM**

(21) Appl. No.: **29/323,845**

The ornamental design for an electrical connector housing, as shown and described.

(22) Filed: **Sep. 2, 2008**

(30) **Foreign Application Priority Data**

DESCRIPTION

Mar. 7, 2008 (JP) D2008-005750

FIG. 1 is a perspective view of an electrical connector housing showing my new design;

(51) **LOC (9) Cl.** **13-03**

FIG. 2 is a front view thereof;

(52) **U.S. Cl.** **D13/154; D13/147**

FIG. 3 is a rear view thereof;

(58) **Field of Classification Search** D13/146–147,
D13/154, 184; 439/281, 282, 352–254, 357–358,
439/607–610, 680, 752

FIG. 4 is a top plan view thereof;

See application file for complete search history.

FIG. 5 is a bottom plan view thereof;

FIG. 6 is a right side view thereof; and,

(56) **References Cited**

FIG. 7 is a left side view thereof.

U.S. PATENT DOCUMENTS

The broken line portion of the figure drawings is included to show unclaimed subject matter only and forms no part of the claimed design. The dash-dot lines represent the boundaries of the claimed design.

D324,032 S * 2/1992 Sueyoshi et al. D13/147
5,575,672 A * 11/1996 Katsuma 439/157
6,123,574 A * 9/2000 Matsuda et al. 439/488
D472,524 S * 4/2003 Yamawaki et al. D13/147
D503,150 S * 3/2005 Yamawaki et al. D13/147

1 Claim, 6 Drawing Sheets

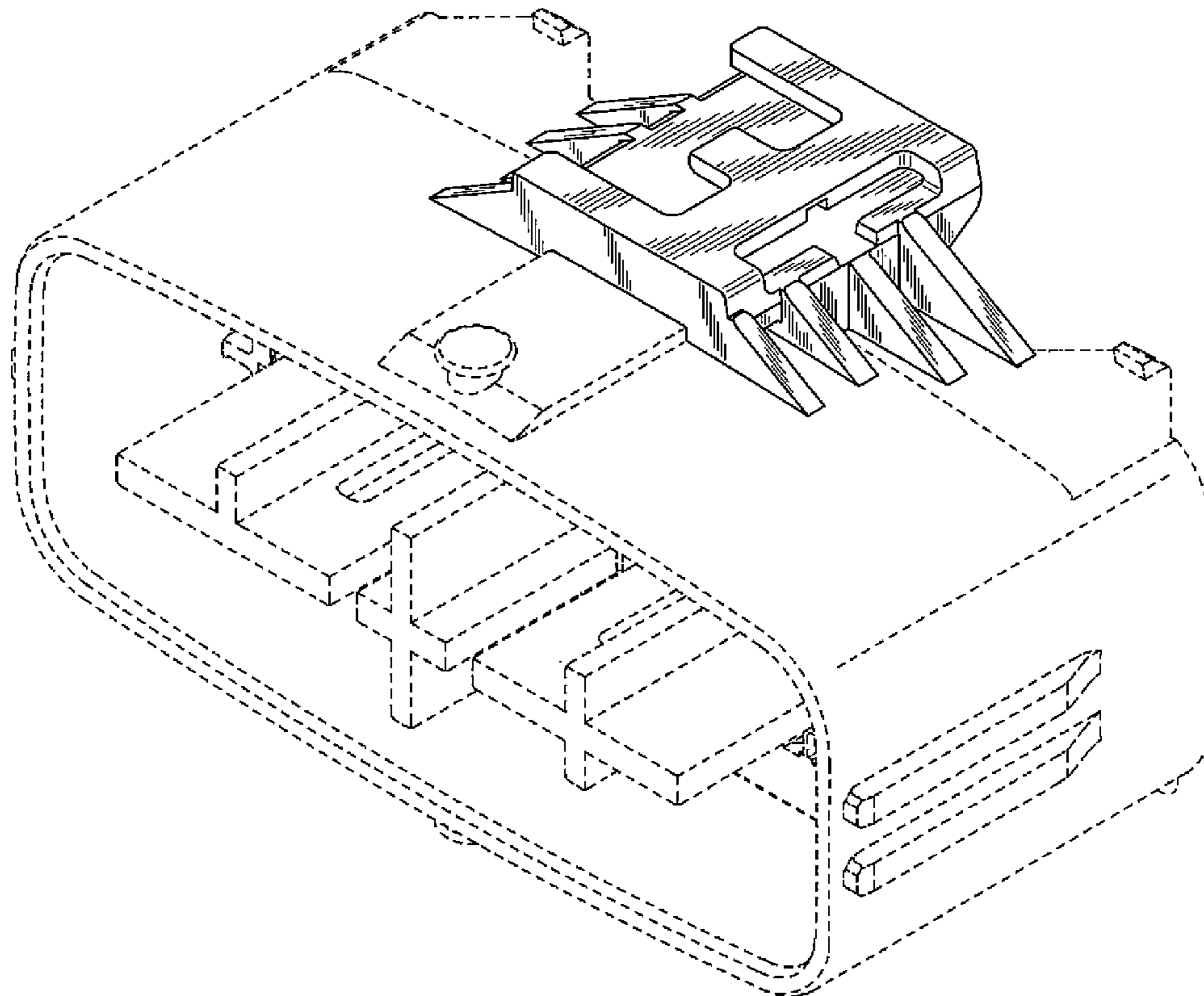


FIG. 1

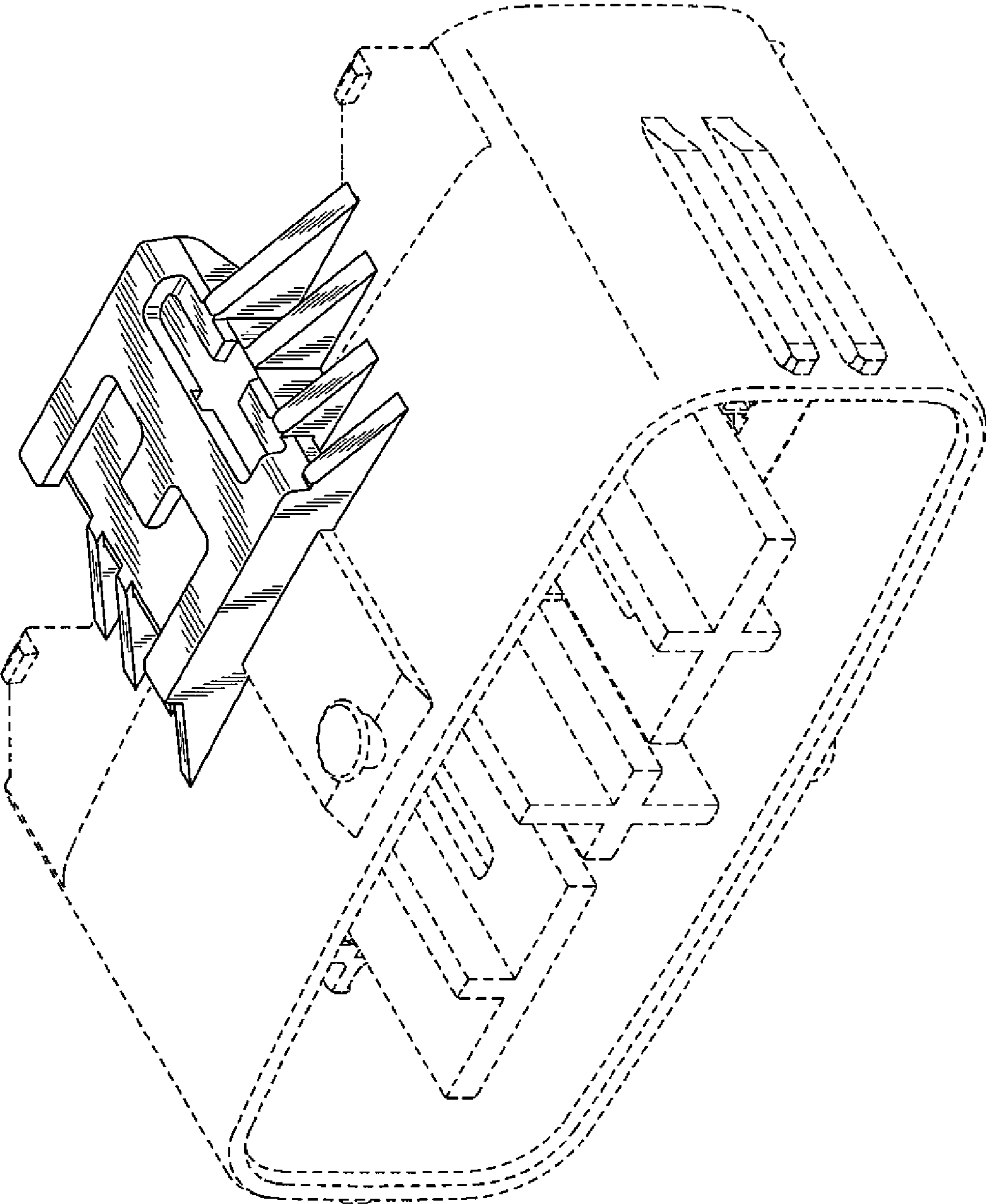


FIG. 2

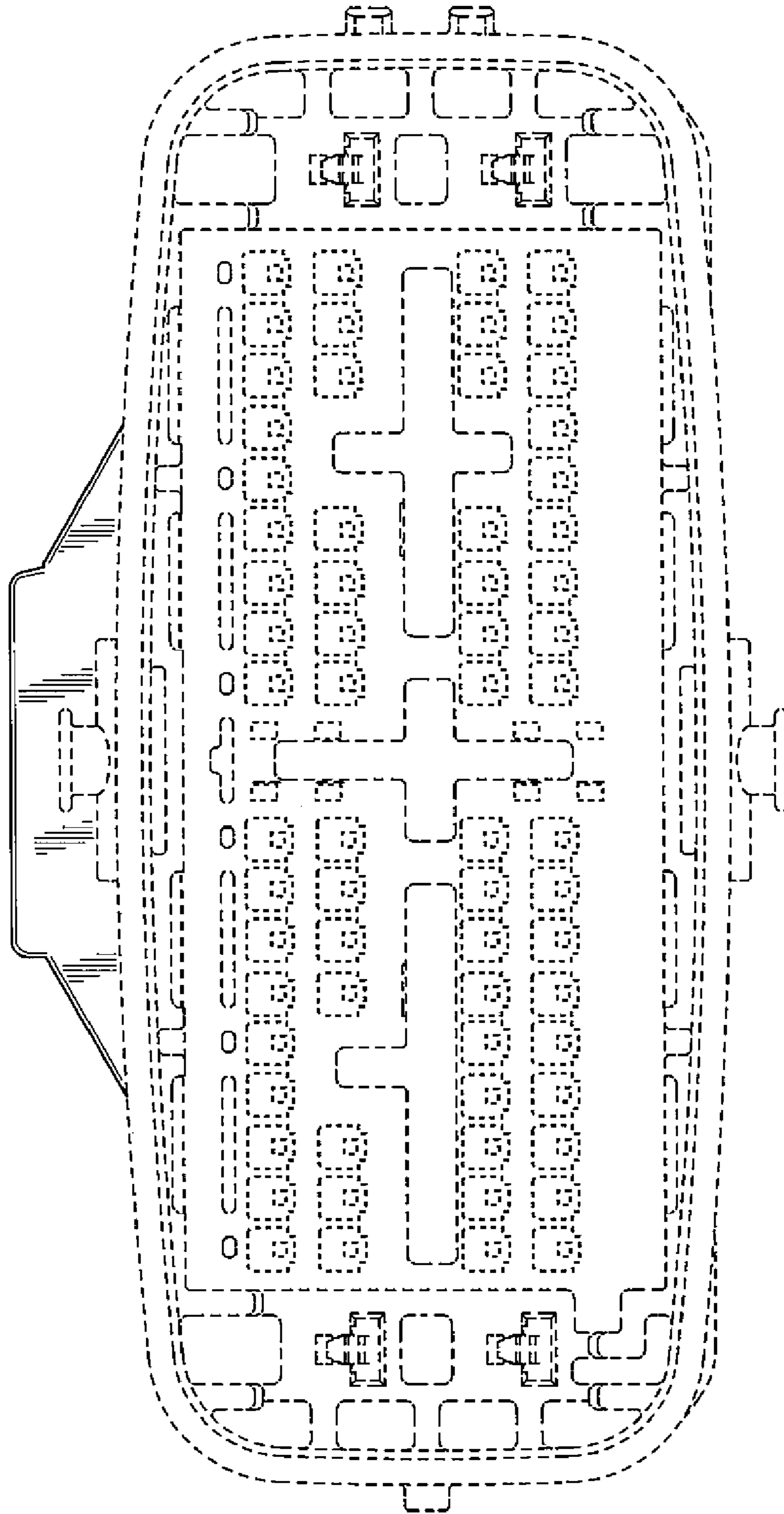


FIG. 3

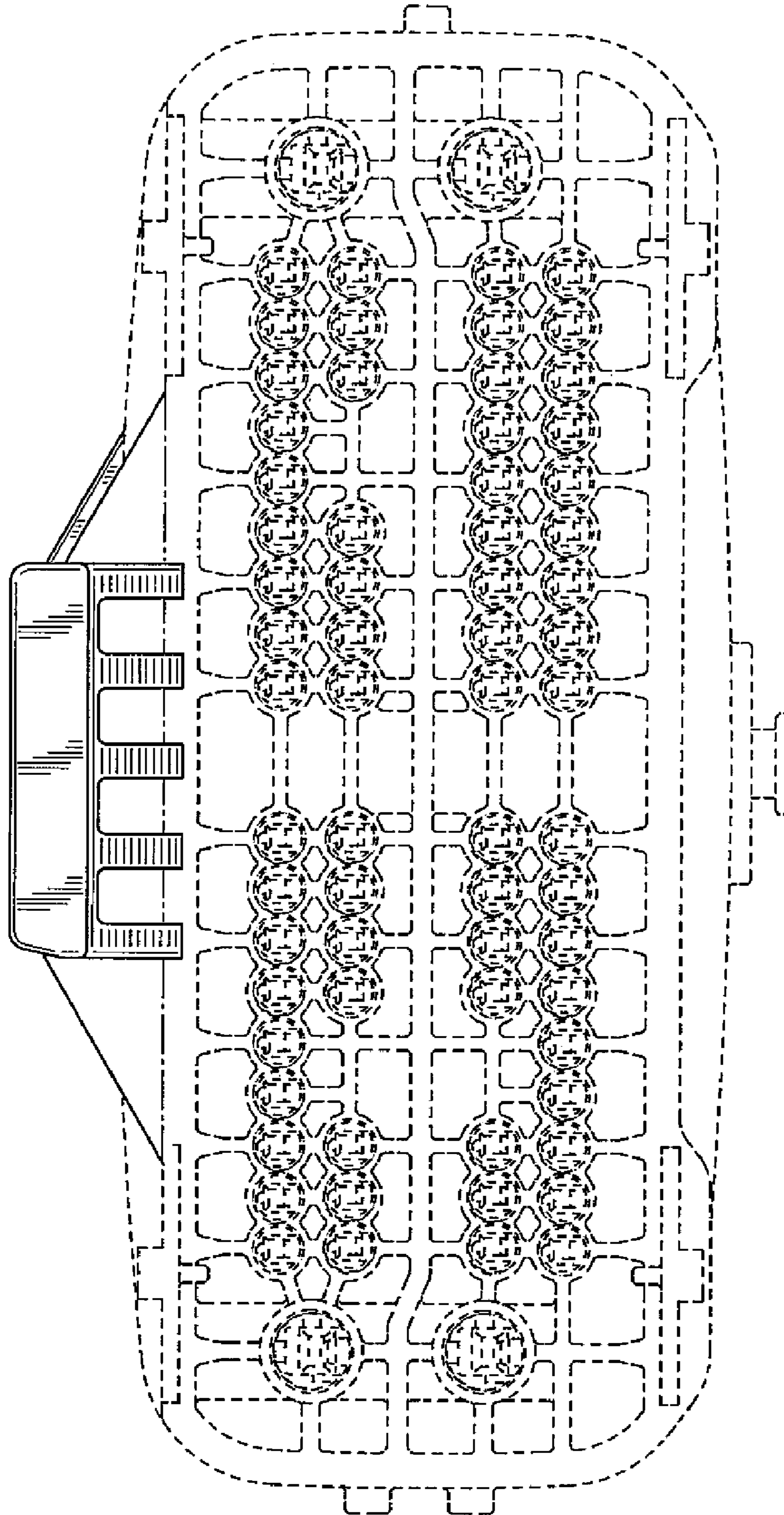


FIG. 4

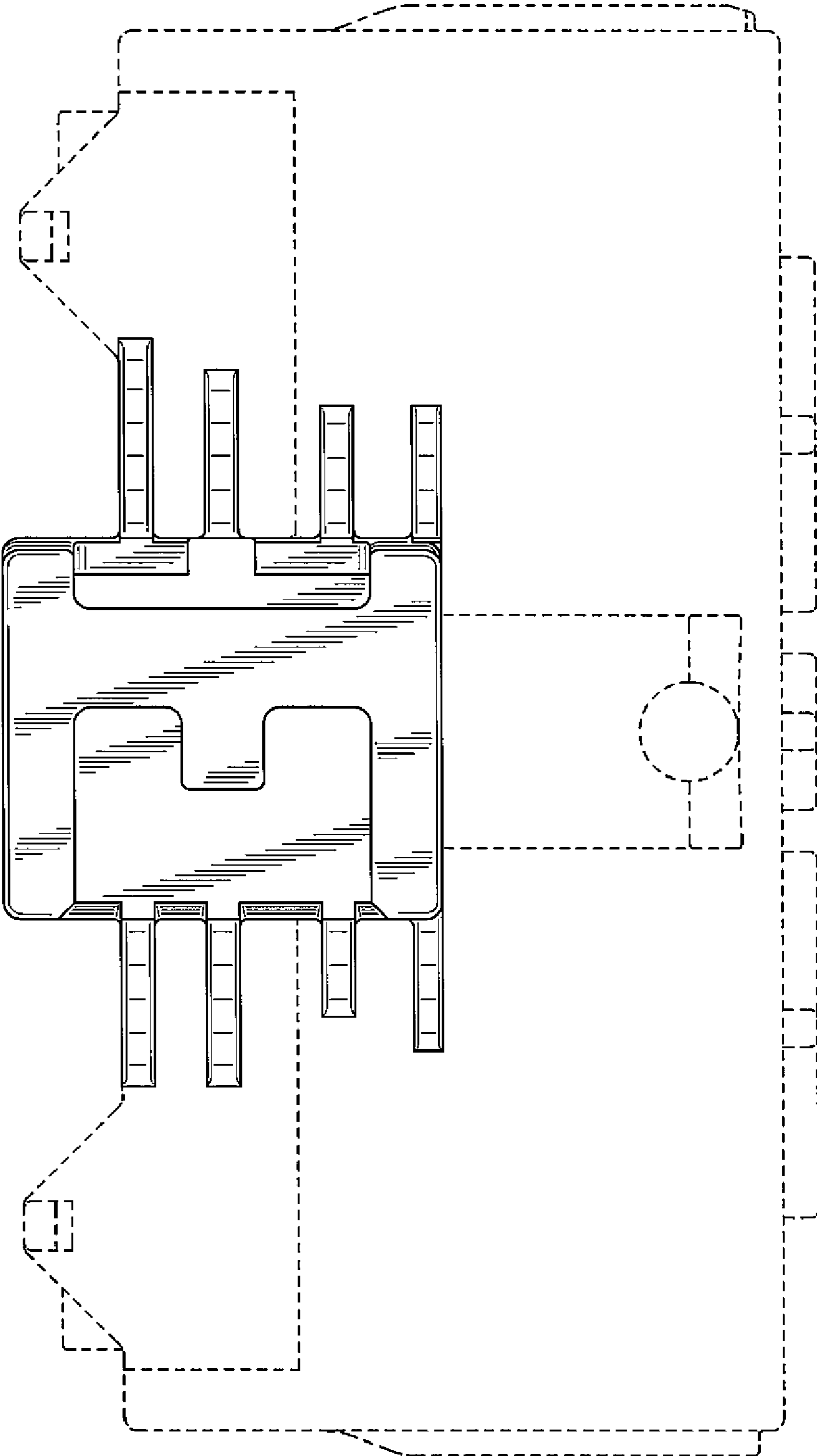


FIG. 5

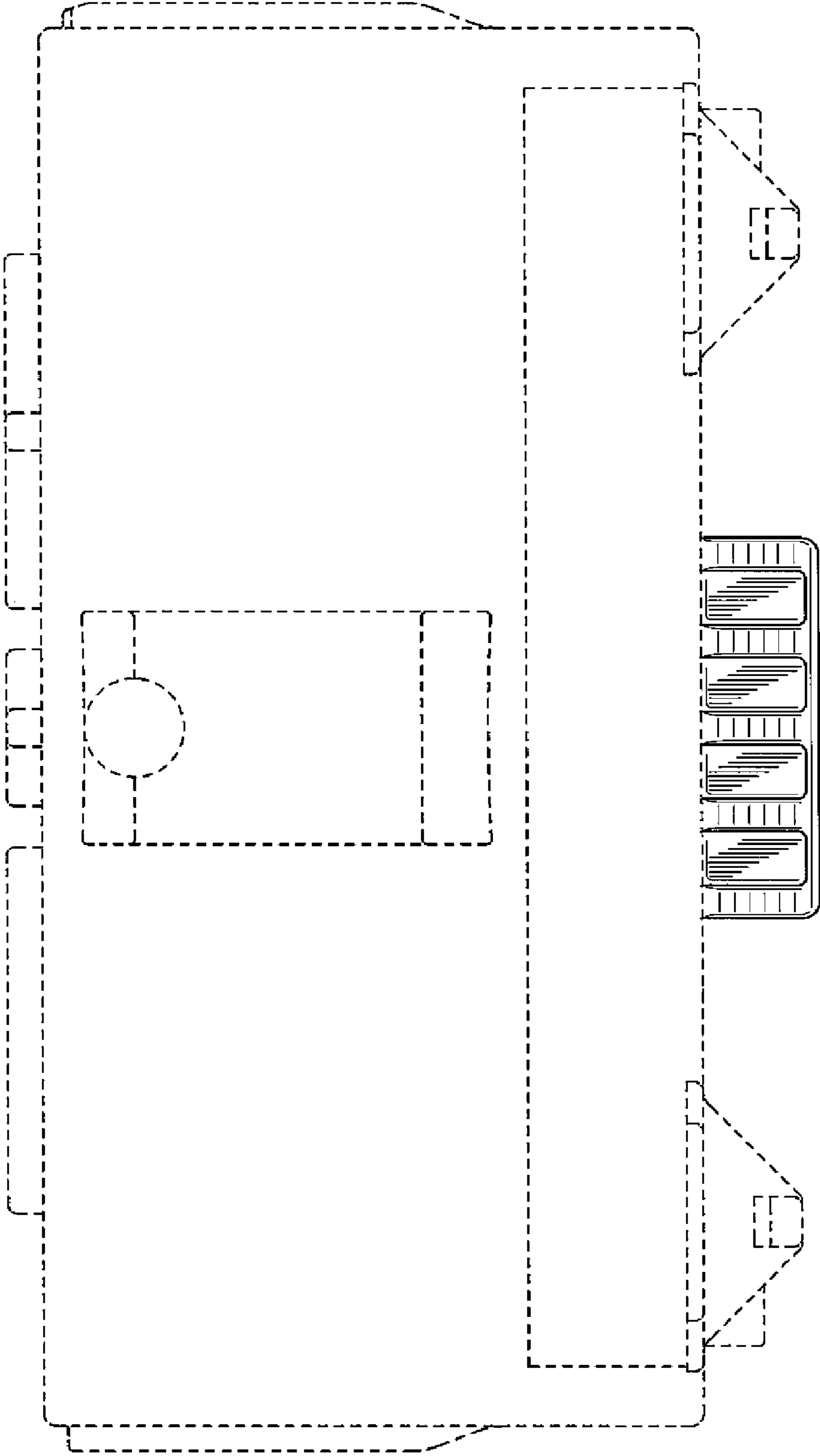


FIG. 7

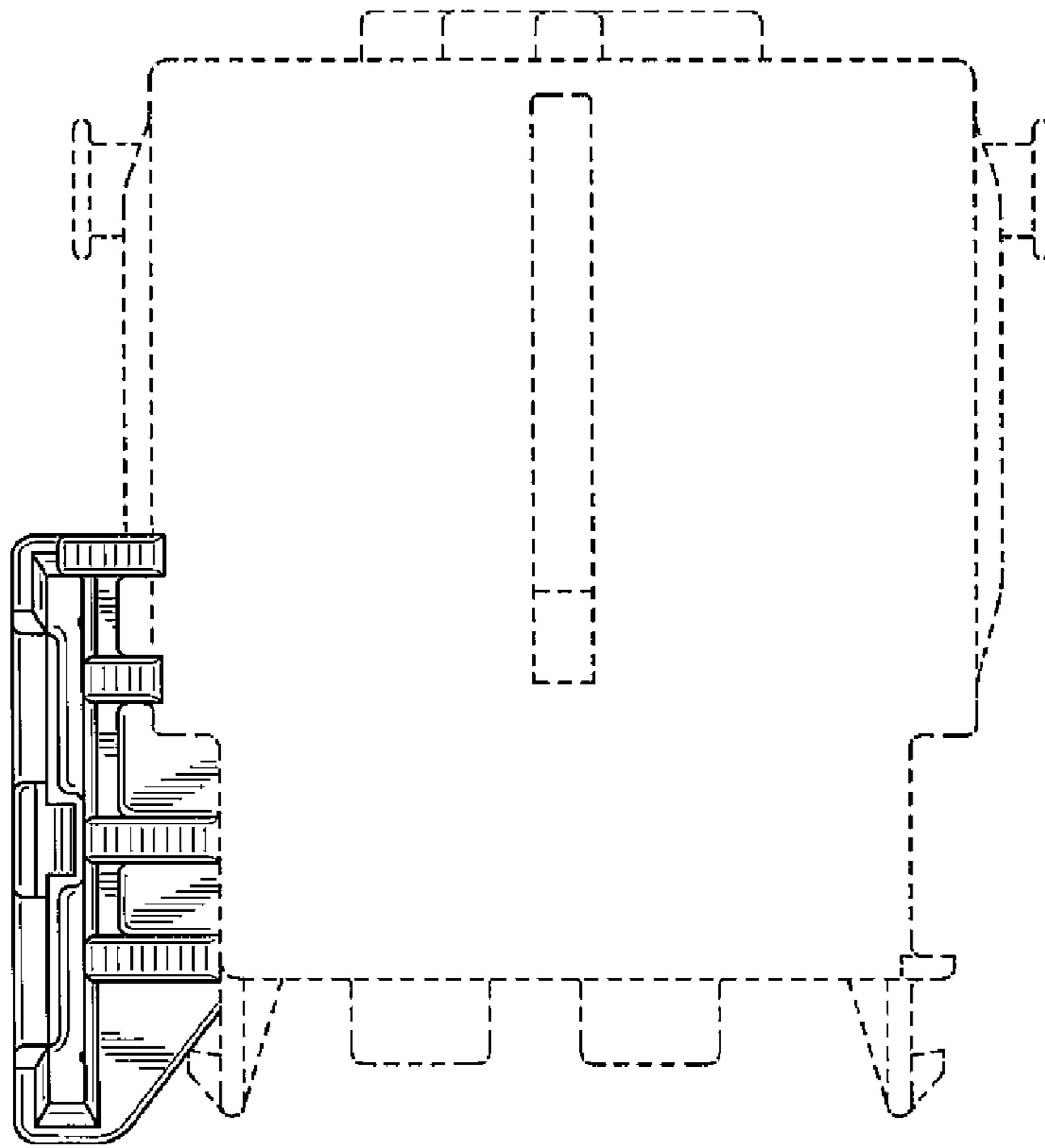


FIG. 6

