



US00D594823S

(12) **United States Design Patent**  
**Ho'o et al.**

(10) **Patent No.:** **US D594,823 S**  
(45) **Date of Patent:** **\*\* Jun. 23, 2009**

(54) **TRIPLE TAP ELECTRICAL CONNECTOR**

(75) Inventors: **Galen Ho'o**, Pasadena, CA (US); **Victor C. Chan**, La Mirada, CA (US)

(73) Assignee: **Gehr Industries, Inc.**, Los Angeles, CA (US)

(\*\*) Term: **14 Years**

(21) Appl. No.: **29/308,748**

(22) Filed: **Jul. 2, 2008**

(51) **LOC (9) Cl.** ..... **13-03**

(52) **U.S. Cl.** ..... **D13/139.1**

(58) **Field of Classification Search** .. D13/137.1-139.8;  
439/106-108, 188, 502, 505, 535, 650-654;  
337/189, 198; 361/118, 119

See application file for complete search history.

(56) **References Cited**

**U.S. PATENT DOCUMENTS**

D277,370 S *	1/1985	Gehr et al.	.....	D13/137.2
D372,702 S *	8/1996	Sanner	.....	D13/139.8
D415,105 S *	10/1999	Lee	.....	D13/139.1
D440,203 S *	4/2001	Ewing et al.	.....	D13/137.2
D440,942 S *	4/2001	Ewing et al.	.....	D13/139.1
D468,848 S *	1/2003	Schenck	.....	D26/26
D469,062 S *	1/2003	Nieto et al.	.....	D13/137.2
D483,331 S *	12/2003	Adachi et al.	.....	D13/139.7
D483,723 S *	12/2003	Adachi et al.	.....	D13/139.7
D495,657 S *	9/2004	Lee	.....	D13/137.2

**OTHER PUBLICATIONS**

Century Wire and Cable: Triple Tap Extension Cords.  
Perspective drawing showing the Century Triple Tap Plug design.

\* cited by examiner

*Primary Examiner*—Jennifer Rivard

*Assistant Examiner*—Rosemary K Tarcza

(74) *Attorney, Agent, or Firm*—Christie, Parker & Hale, LLP.

(57) **CLAIM**

The ornamental design for a triple tap electrical connector, as shown and described.

**DESCRIPTION**

FIG. 1 is a front perspective view showing a triple tap electrical connector according to our new design.

FIG. 2 is a rear perspective view showing the triple tap electrical connector according to our new design.

FIG. 3 is a plan view taken from the top side of the electrical connector as shown in FIG. 2, the bottom side thereof being identical.

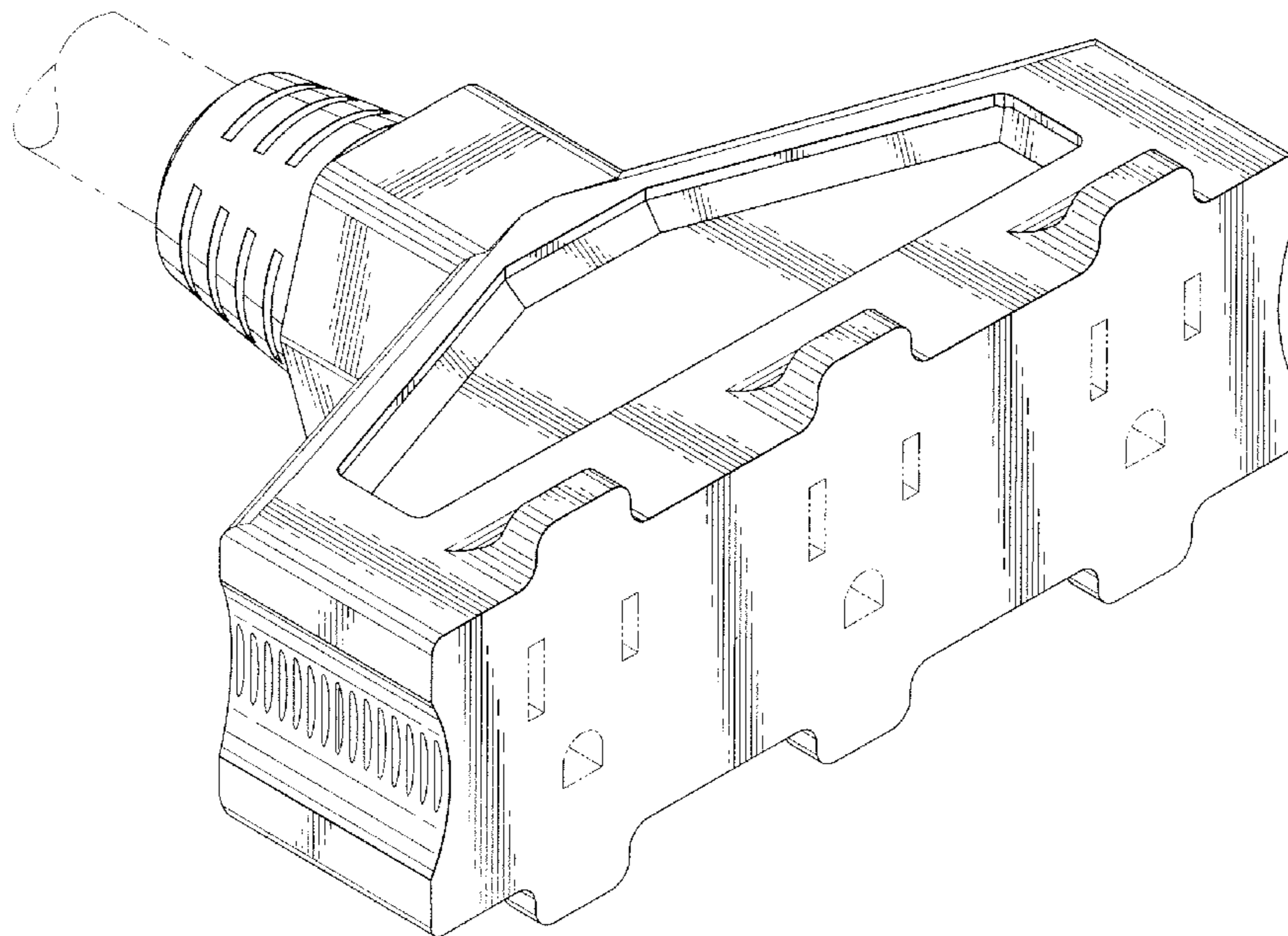
FIG. 4 is an elevational view taken from the left side of the electrical connector shown in FIG. 3, the right side thereof being a mirror image.

FIG. 5 is an elevational view taken from the front side of the electrical connector shown in FIG. 1; and,

FIG. 6 is an elevational view taken from the rear side of the electrical connector shown in FIG. 2.

The broken lines shown in the drawings are included for the purpose of illustrating environmental structure and form no part of the claimed design.

**1 Claim, 6 Drawing Sheets**



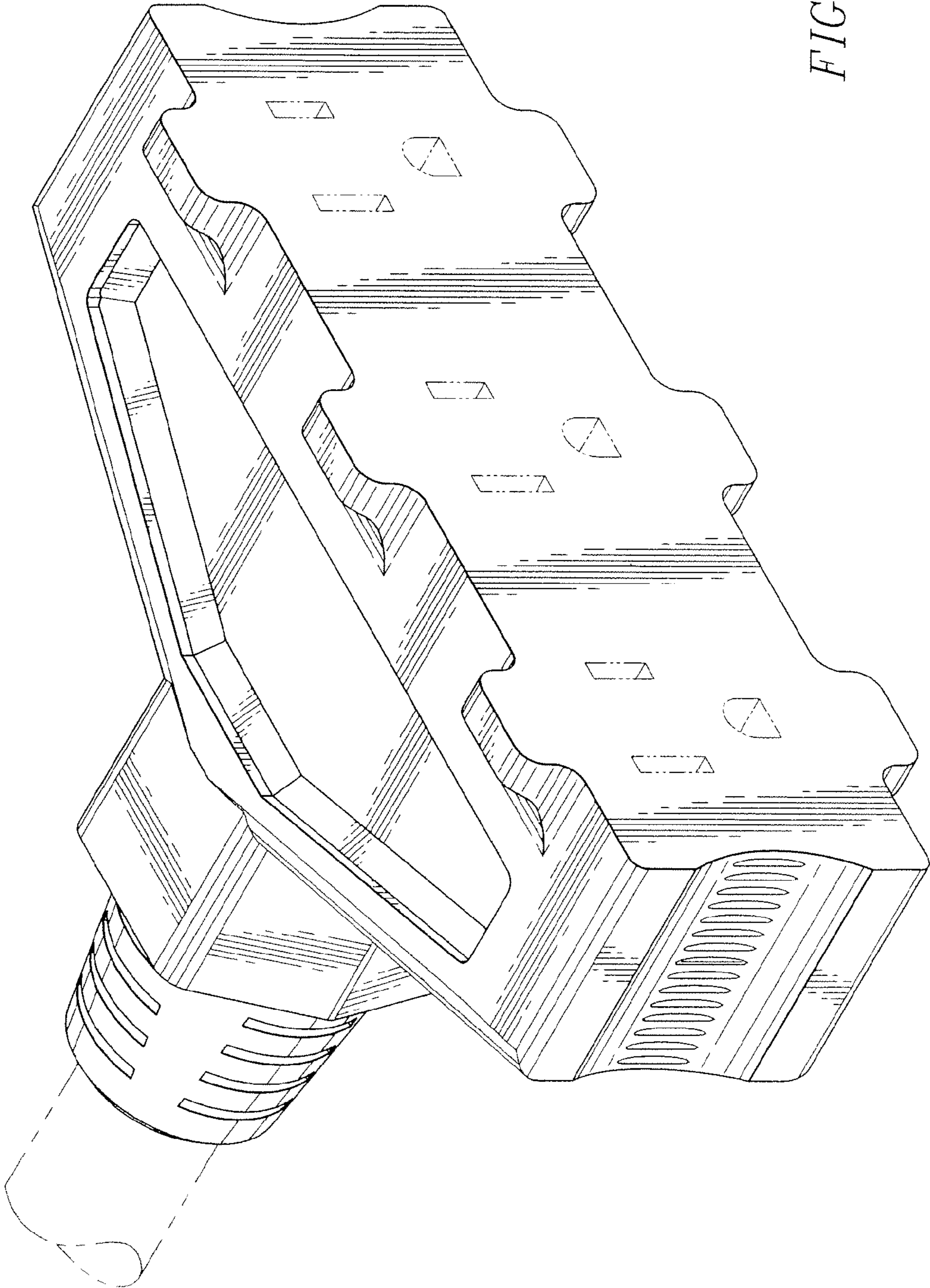
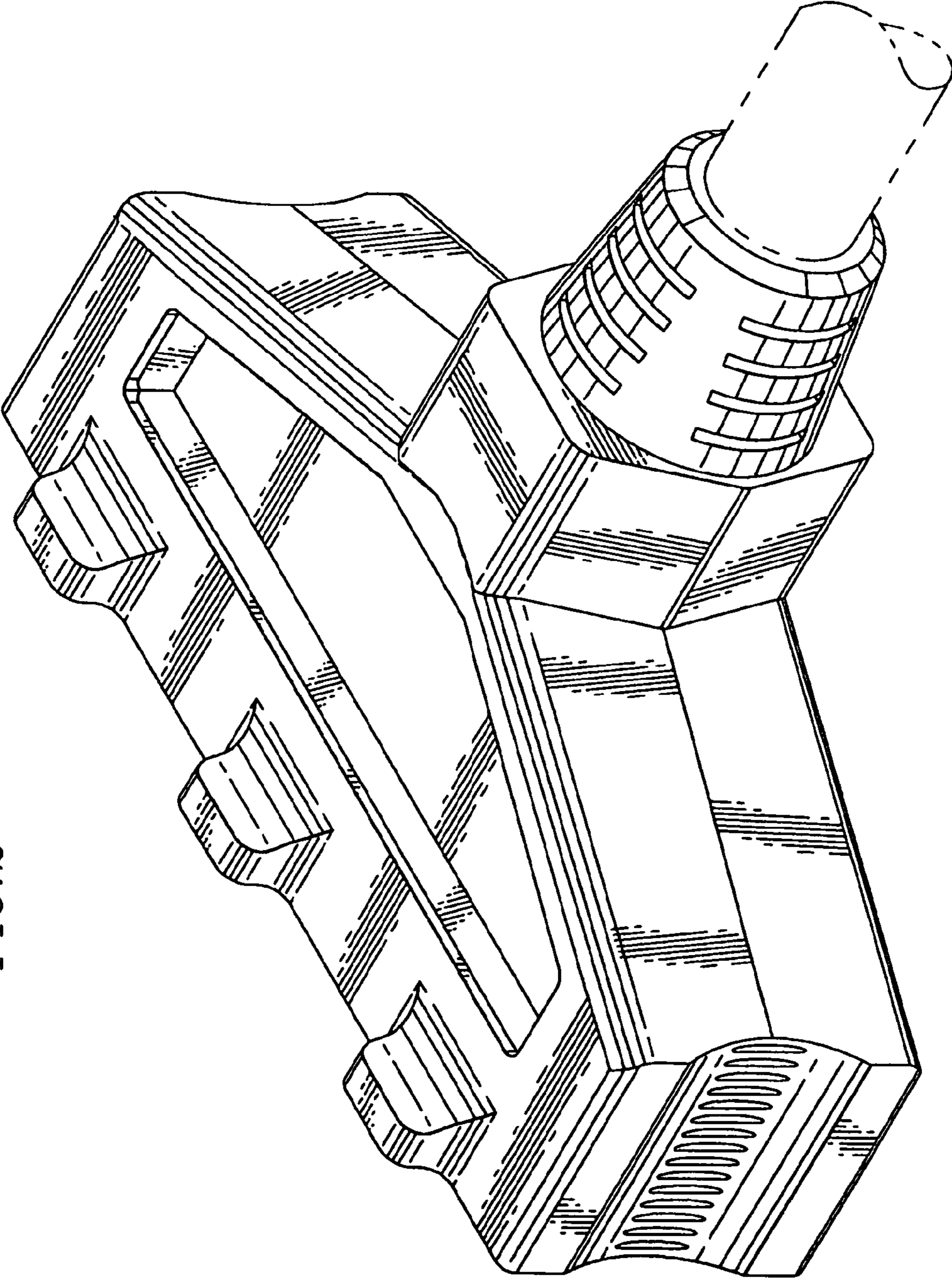


FIG. 1

FIG. 2



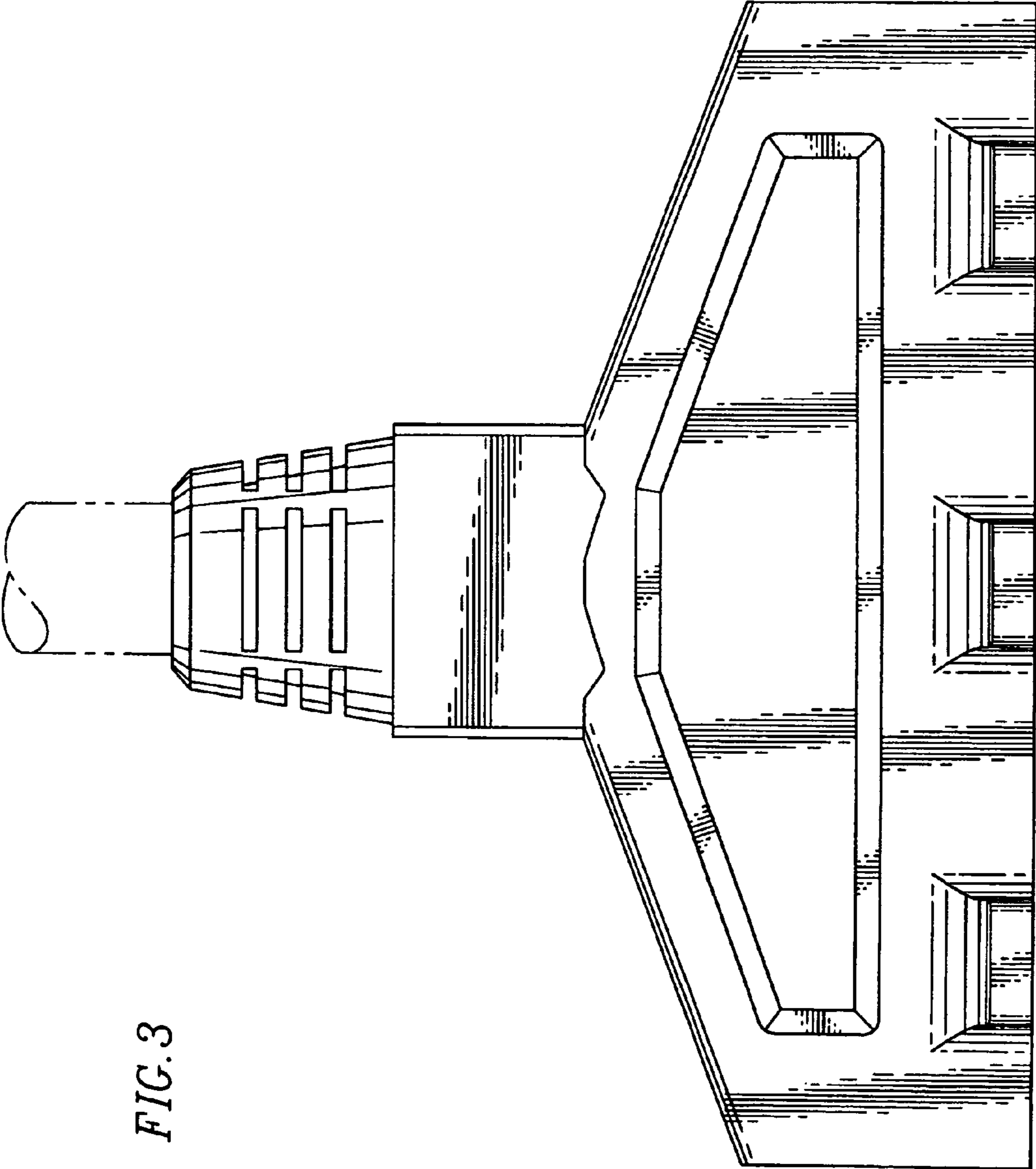


FIG. 3

FIG. 4

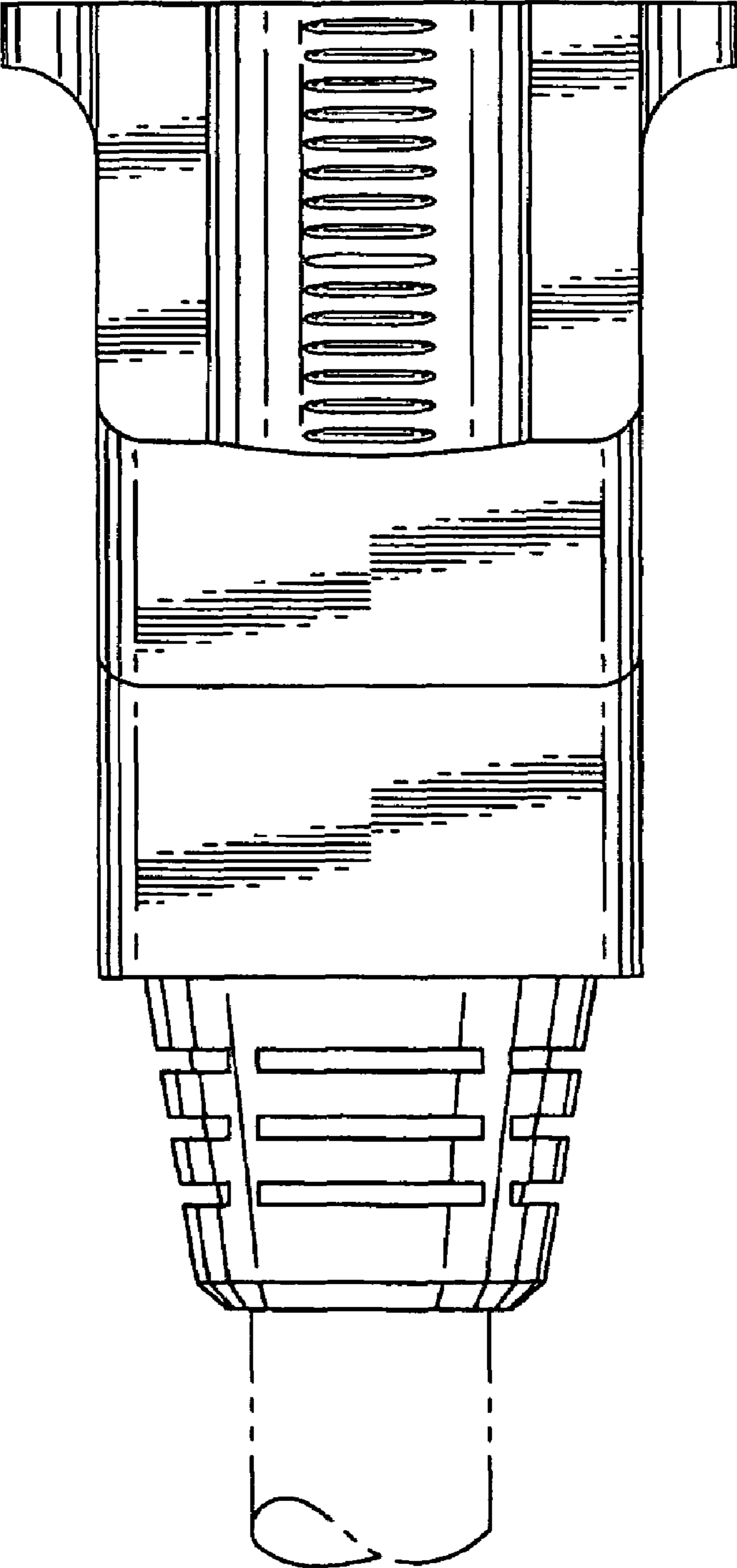


FIG. 5

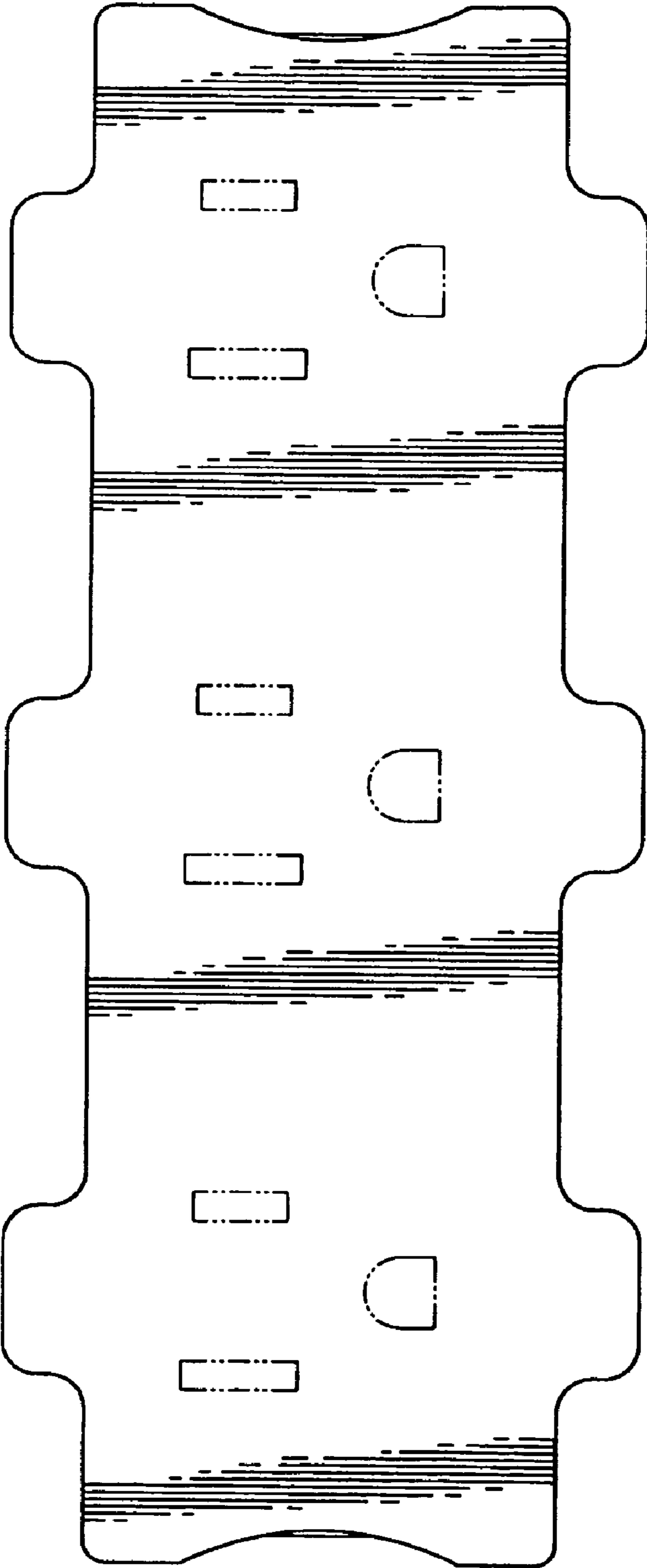
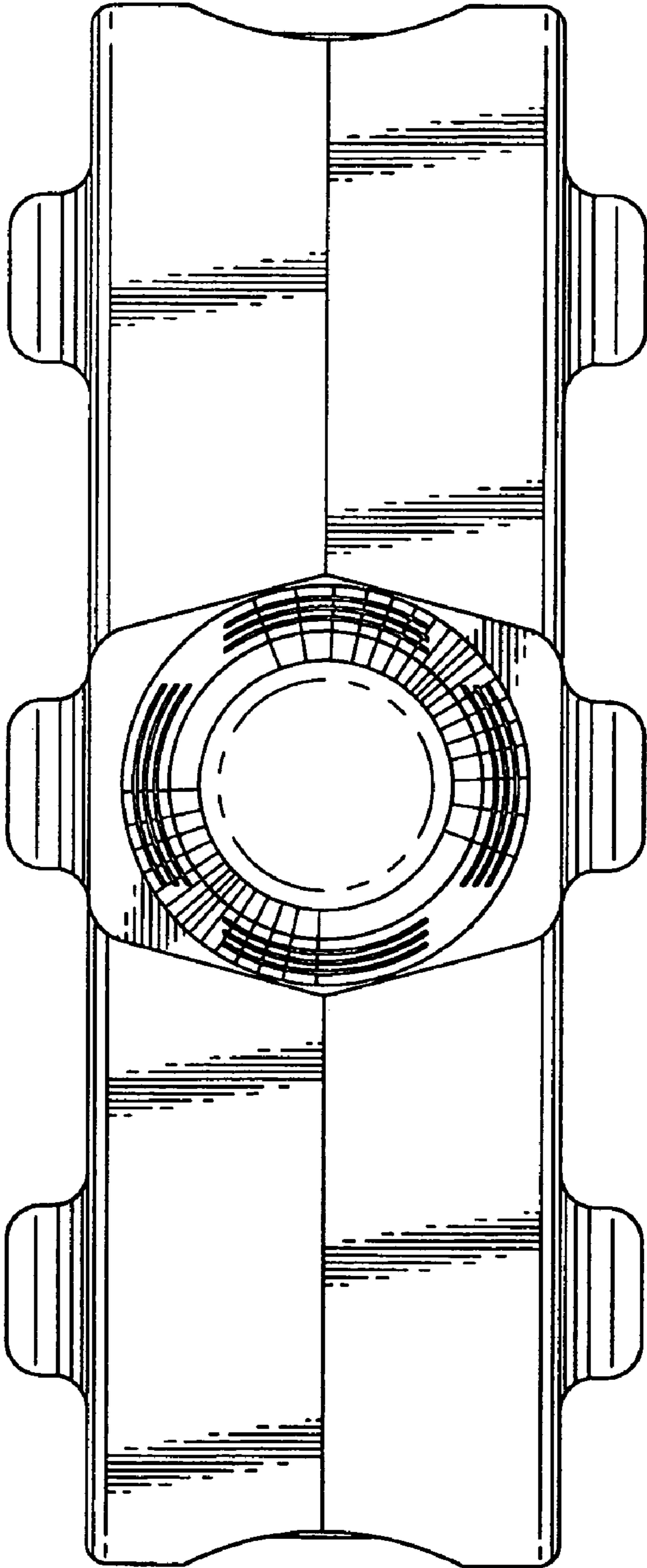


FIG. 6



UNITED STATES PATENT AND TRADEMARK OFFICE  
**CERTIFICATE OF CORRECTION**

PATENT NO. : Des. 594,823 S  
APPLICATION NO. : 29/308748  
DATED : June 23, 2009  
INVENTOR(S) : Galen Ho'o et al.

Page 1 of 6

It is certified that error appears in the above-identified patent and that said Letters Patent is hereby corrected as shown below:

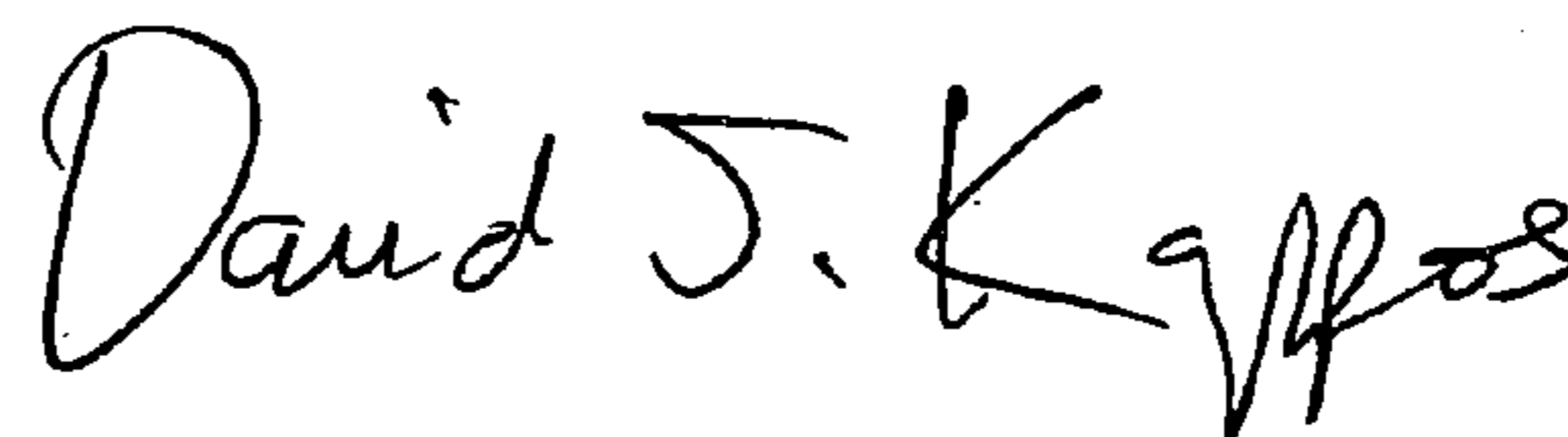
Title Page should be deleted and substitute therefore the attached title page.

**Drawings**

Delete Figs. 1, 3, 4 and 6 and substitute therefore Figs. 1, 3, 4 and 6 as shown on the attached pages.

Signed and Sealed this

Thirteenth Day of October, 2009

A handwritten signature in black ink that reads "David J. Kappos". The signature is written in a cursive style with a large initial 'D' and 'K'.

David J. Kappos  
*Director of the United States Patent and Trademark Office*



(12) **United States Design Patent**  
**Ho'o et al.**

(10) **Patent No.:** **US D594,823 S**  
 (45) **Date of Patent:** **\*\* Jun. 23, 2009**

(54) **TRIPLE TAP ELECTRICAL CONNECTOR**

(75) **Inventors:** **Galen Ho'o**, Pasadena, CA (US); **Victor C. Chan**, La Mirada, CA (US)

(73) **Assignee:** **Gehr Industries, Inc.**, Los Angeles, CA (US)

(\*\*) **Term:** **14 Years**

(21) **Appl. No.:** **29/308,748**

(22) **Filed:** **Jul. 2, 2008**

(51) **LOC (9) Cl.** ..... **13-03**

(52) **U.S. Cl.** ..... **D13/139.1**

(58) **Field of Classification Search** .. **D13/137.1-139.8;**  
**439/106-108, 188, 502, 505, 535, 650-654;**  
**337/189, 198; 361/118, 119**

See application file for complete search history.

(56) **References Cited**

**U.S. PATENT DOCUMENTS**

D277,370 S *	1/1985	Gehr et al.	D13/137.2
D372,702 S *	8/1996	Sanner	D13/139.8
D415,105 S *	10/1999	Lee	D13/139.1
D440,203 S *	4/2001	Ewing et al.	D13/137.2
D440,942 S *	4/2001	Ewing et al.	D13/139.1
D468,848 S *	1/2003	Schenck	D26/26
D469,062 S *	1/2003	Nieto et al.	D13/137.2
D483,331 S *	12/2003	Adachi et al.	D13/139.7
D483,723 S *	12/2003	Adachi et al.	D13/139.7
D495,657 S *	9/2004	Lee	D13/137.2

**OTHER PUBLICATIONS**

Century Wire and Cable: Triple Tap Extension Cords.  
 Perspective drawing showing the Century Triple Tap Plug design.

\* cited by examiner

*Primary Examiner*—Jennifer Rivard

*Assistant Examiner*—Rosemary K Tarcoza

(74) *Attorney, Agent, or Firm*—Christie, Parker & Hale, L.L.P.

(57) **CLAIM**

The ornamental design for a triple tap electrical connector, as shown and described.

**DESCRIPTION**

FIG. 1 is a front perspective view showing a triple tap electrical connector according to our new design.

FIG. 2 is a rear perspective view showing the triple tap electrical connector according to our new design.

FIG. 3 is a plan view taken from the top side of the electrical connector as shown in FIG. 2, the bottom side thereof being identical.

FIG. 4 is an elevational view taken from the left side of the electrical connector shown in FIG. 3, the right side thereof being a mirror image.

FIG. 5 is an elevational view taken from the front side of the electrical connector shown in FIG. 1; and,

FIG. 6 is an elevational view taken from the rear side of the electrical connector shown in FIG. 2.

The broken lines shown in the drawings are included for the purpose of illustrating environmental structure and form no part of the claimed design.

**1 Claim, 6 Drawing Sheets**

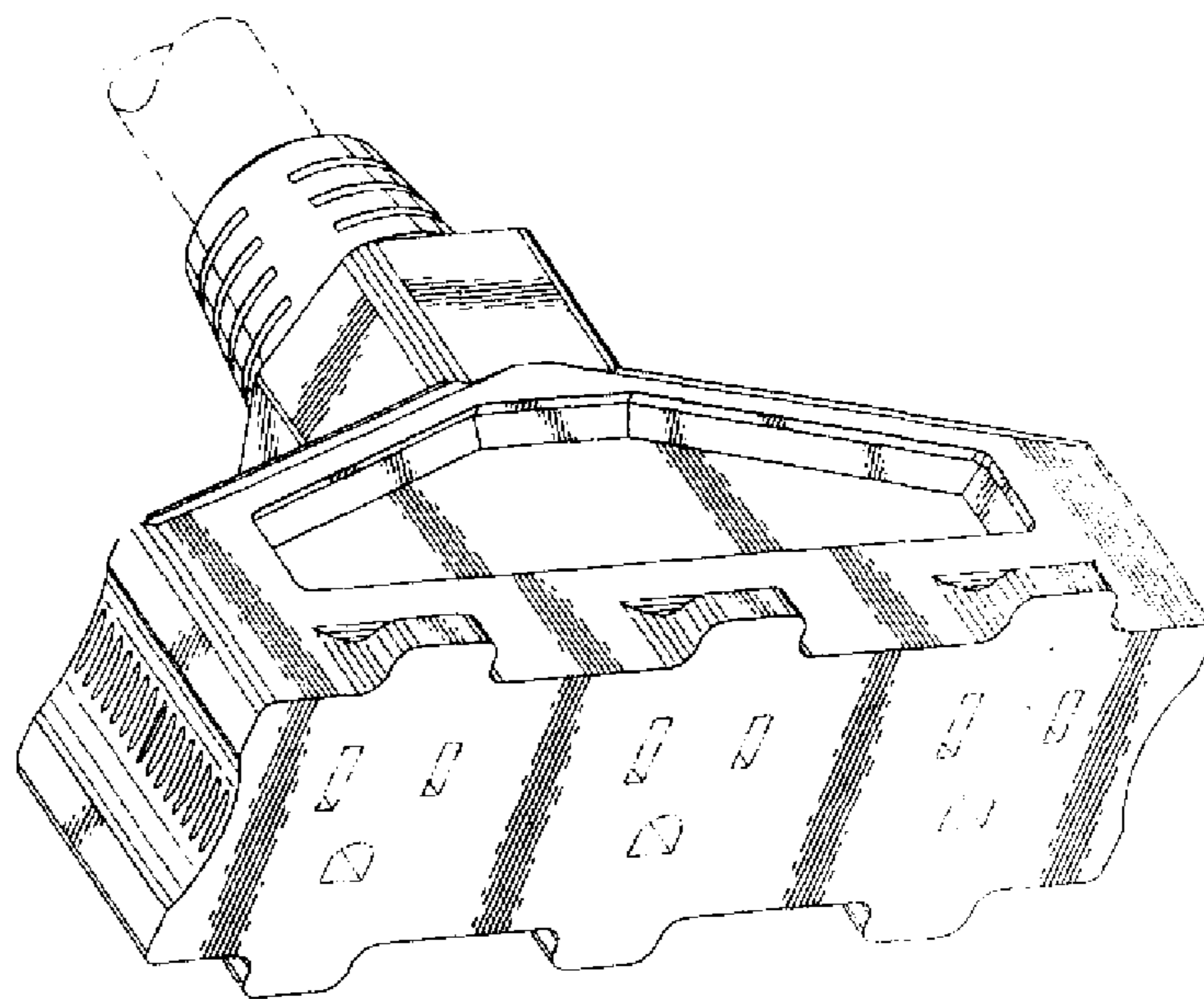
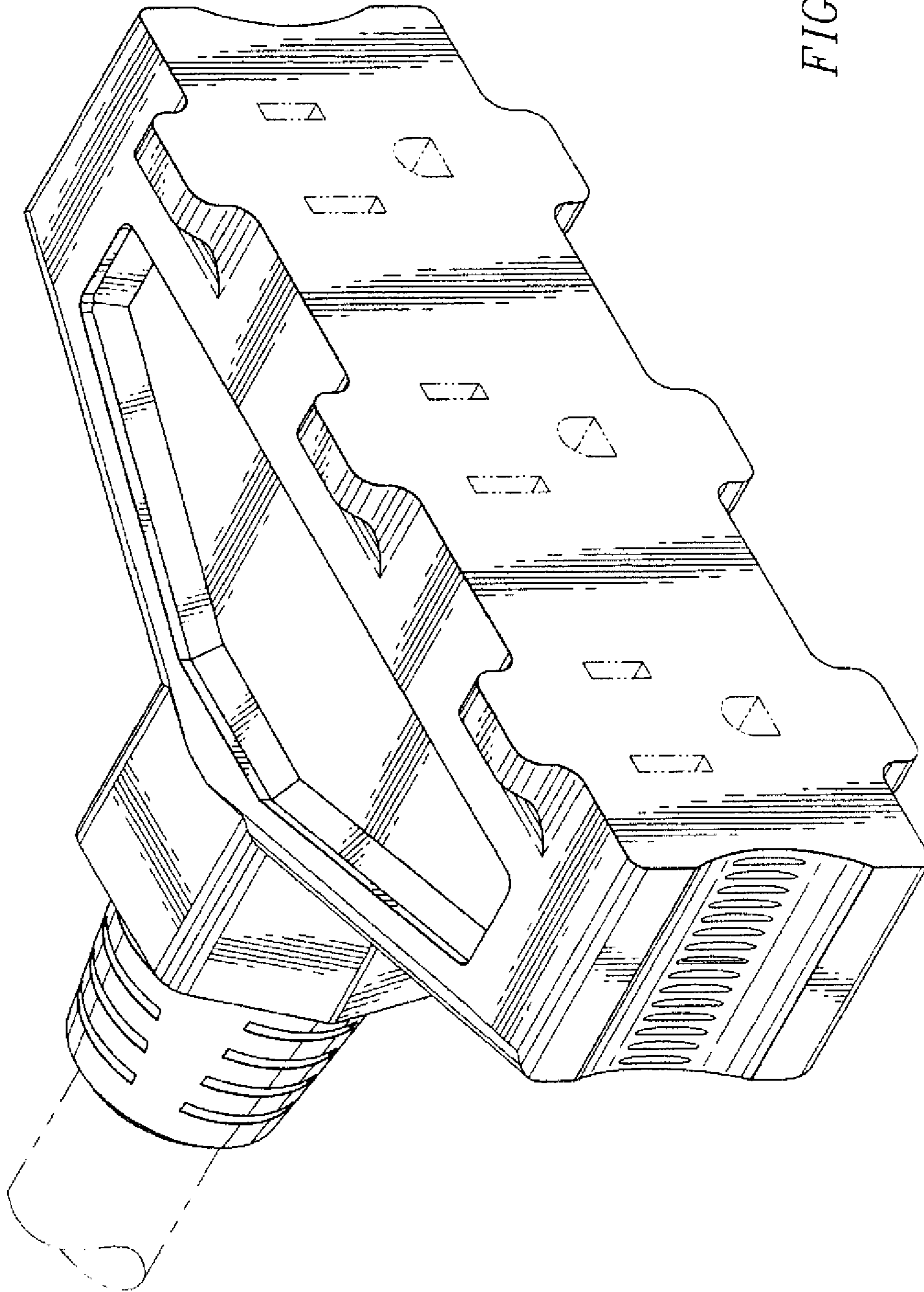


FIG. 1



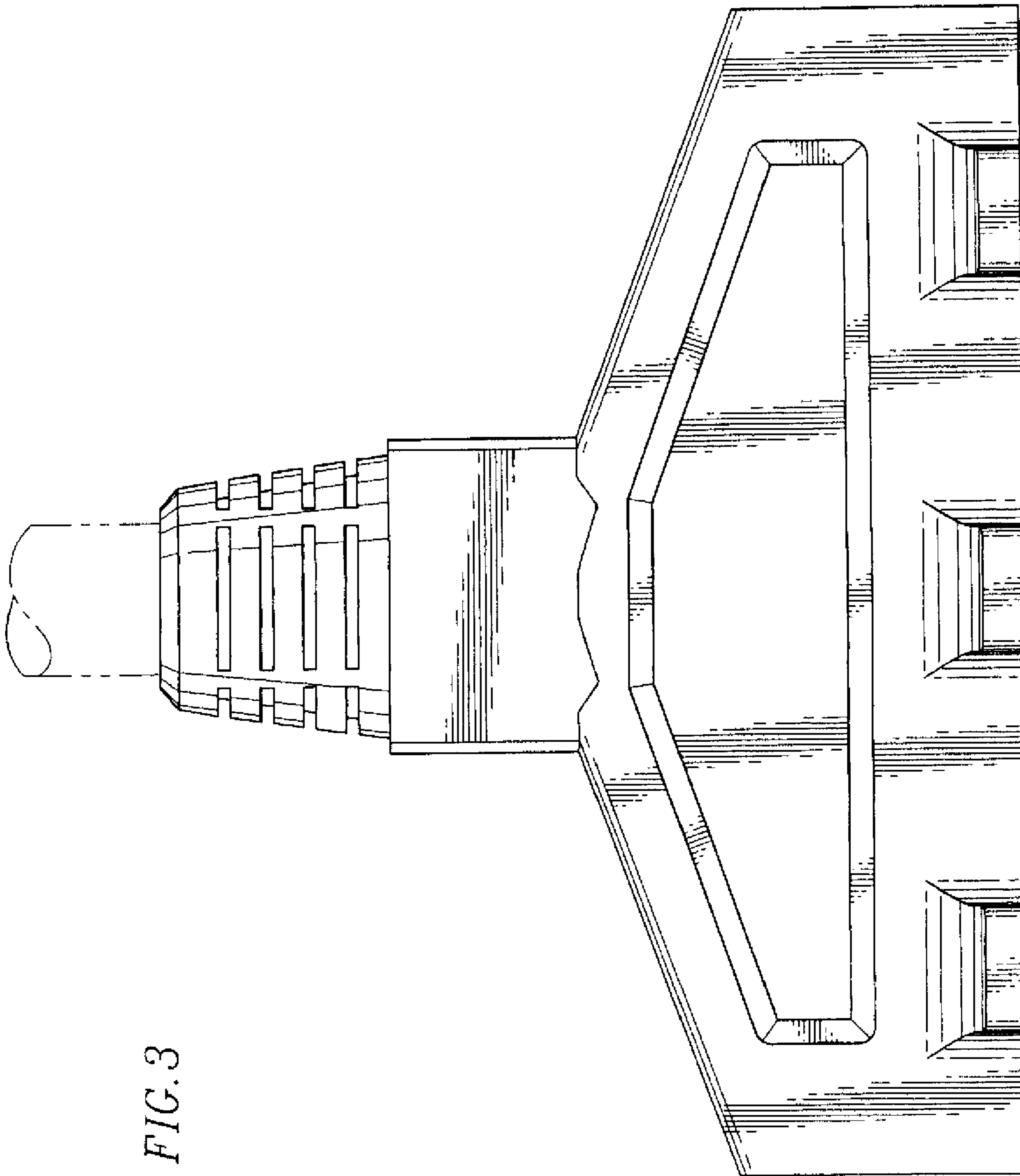


FIG. 3

FIG. 4

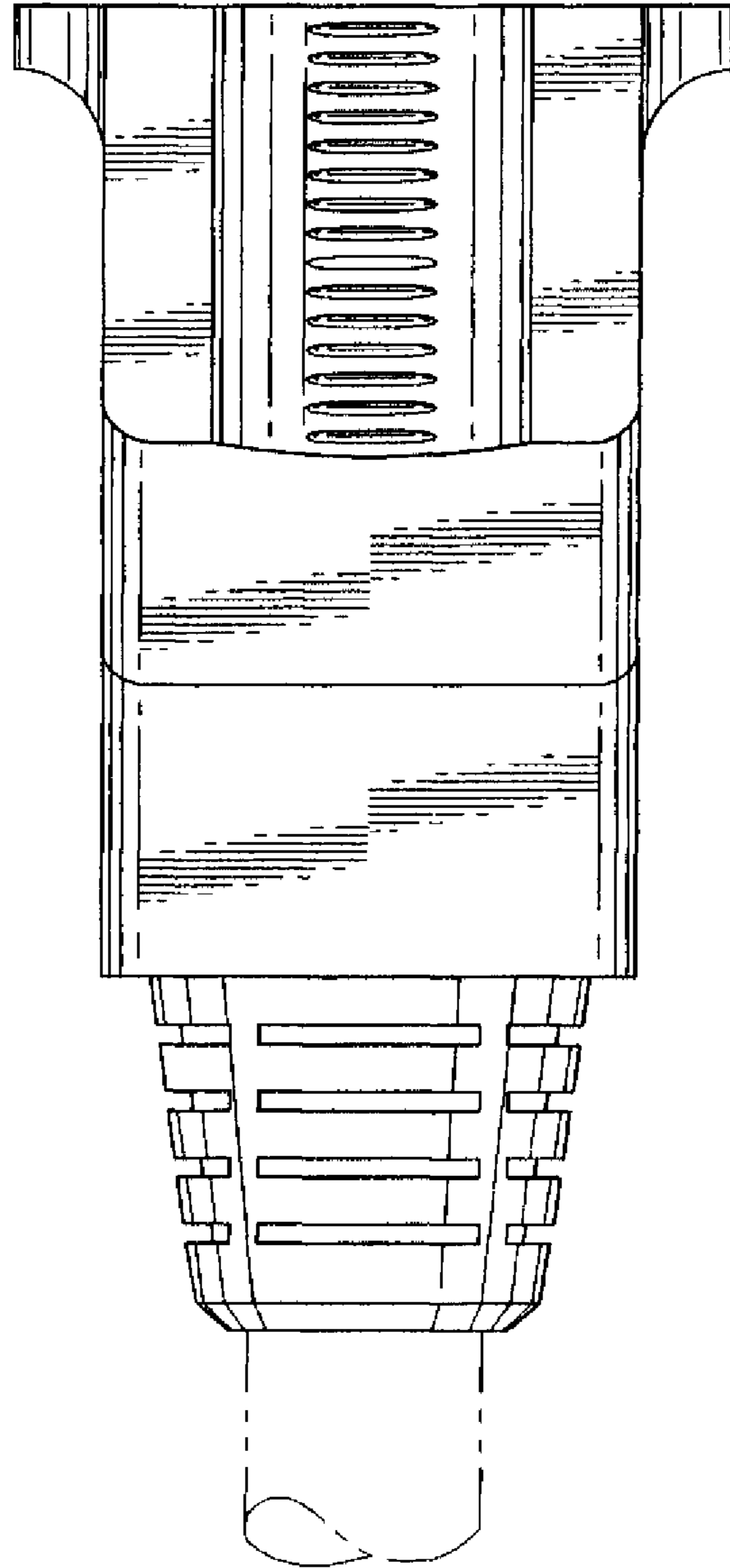


FIG. 6

