

US00D594822S

(12) **United States Design Patent**
Layne et al.

(10) **Patent No.:** **US D594,822 S**
(45) **Date of Patent:** **** Jun. 23, 2009**

(54) **MECHANICAL AND ELECTRICAL TRACK LIGHTING ADAPTOR**

(76) Inventors: **Bruce Layne**, 1227 Lakeside Dr., Wheaton, IL (US) 60187; **Aaron P. Fryzek**, 26W062 Jewel Rd., Wheaton, IL (US) 60187

(**) Term: **14 Years**

(21) Appl. No.: **29/289,218**

(22) Filed: **Jul. 12, 2007**

(51) **LOC (9) Cl.** **13-03**

(52) **U.S. Cl.** **D13/134**

(58) **Field of Classification Search** D13/134, D13/154, 199; 439/110–121, 226, 232, 242, 439/250, 699, 658, 659; D26/24, 60–66, D26/113, 138, 140; 362/147, 226, 236, 237, 362/238, 240, 247, 249, 250, 269, 287, 396, 362/418, 419, 427, 428; 313/318.01, 318.05, 313/318.09, 323, 324

See application file for complete search history.

(56) **References Cited**

U.S. PATENT DOCUMENTS

3,832,503	A *	8/1974	Crane	200/51 R
D415,103	S *	10/1999	Klaus et al.	D13/134
6,203,339	B1 *	3/2001	Nieminen	439/118
D569,544	S *	5/2008	Aubrey	D26/138

OTHER PUBLICATIONS

Odyssey Line Voltage Rail Lighting, Con-Tech Lighting, www.con-techlighting.com (10 pages).

Linea Ellipse Low Voltage Lampholders, ADV020816, Cooper Lighting (6 pages).

* cited by examiner

Primary Examiner—Daniel D Bui

Assistant Examiner—Thomas J Johannes

(57) **CLAIM**

The ornamental design for mechanical and electrical track lighting adaptor, as shown and described.

DESCRIPTION

FIG. 1 is a front perspective view of the mechanical and electrical track lighting adaptor showing our new design;

FIG. 2 is a front elevational view;

FIG. 3 is a rear elevational view;

FIG. 4 is an end elevational view from one end;

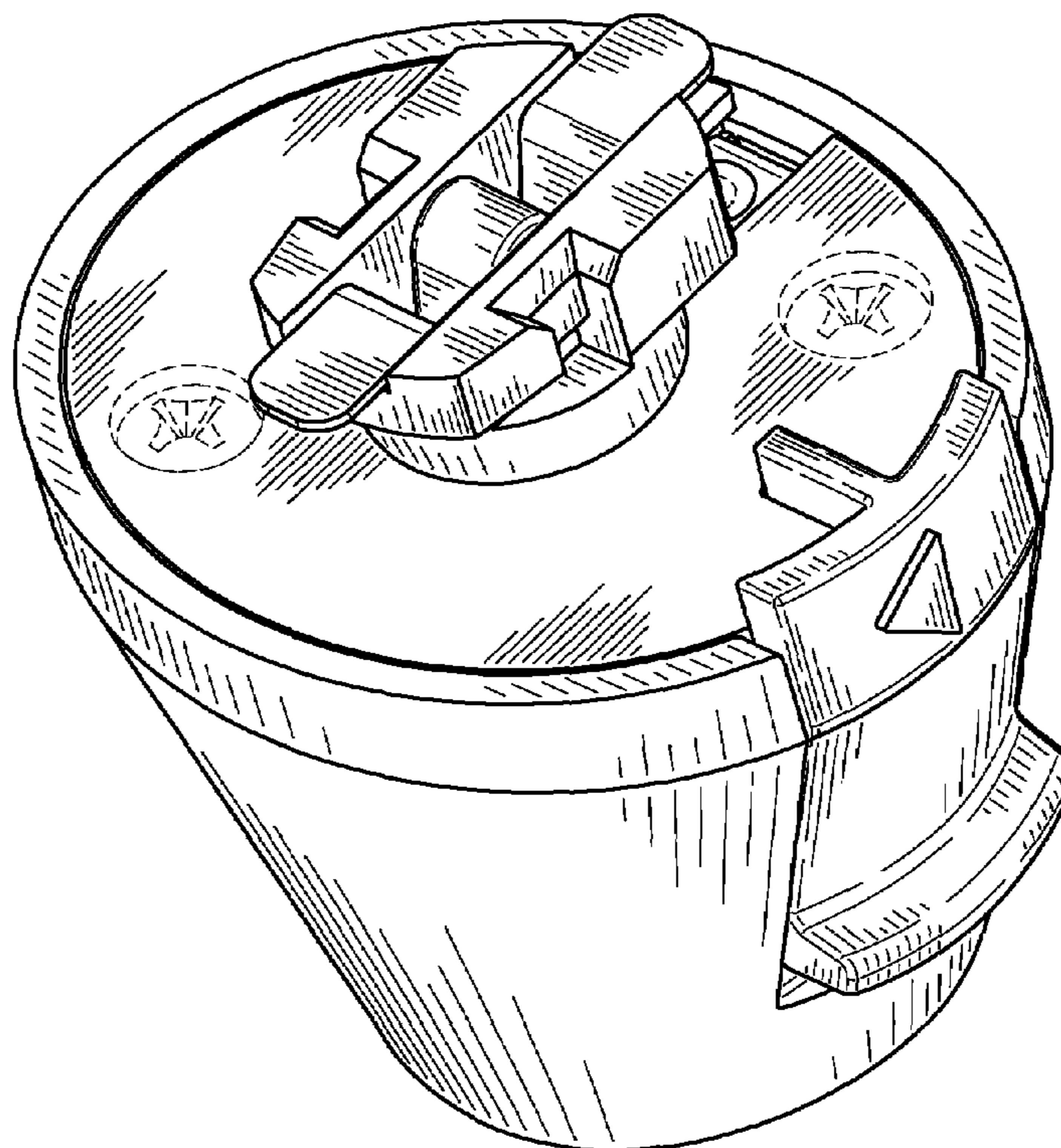
FIG. 5 is an end elevational view from the other end;

FIG. 6 is a top plan view; and,

FIG. 7 is a bottom plan view.

The broken line portion of the figure drawings is included to show unclaimed subject matter only and forms no part of the claimed design.

1 Claim, 4 Drawing Sheets



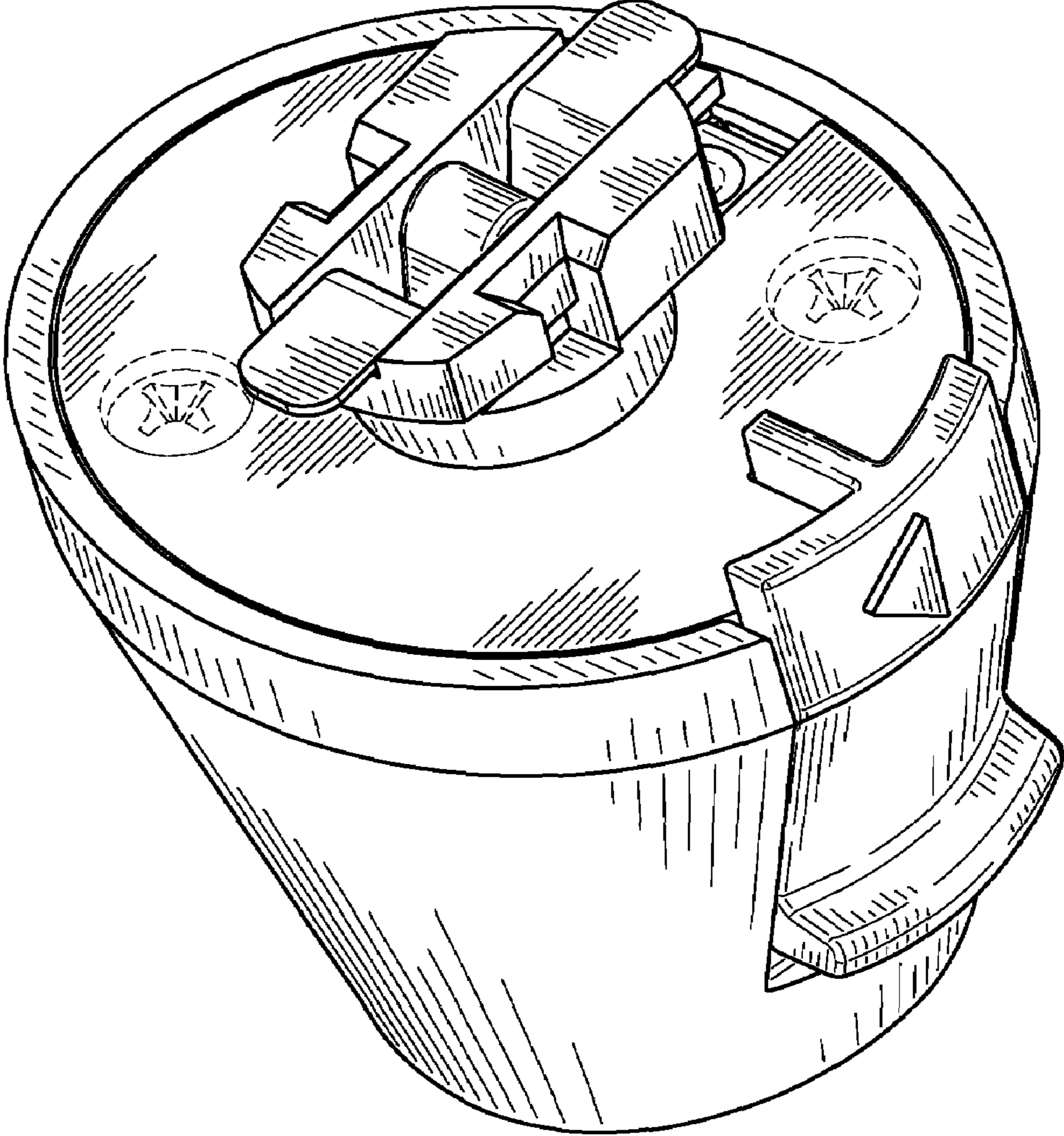


FIG. 1

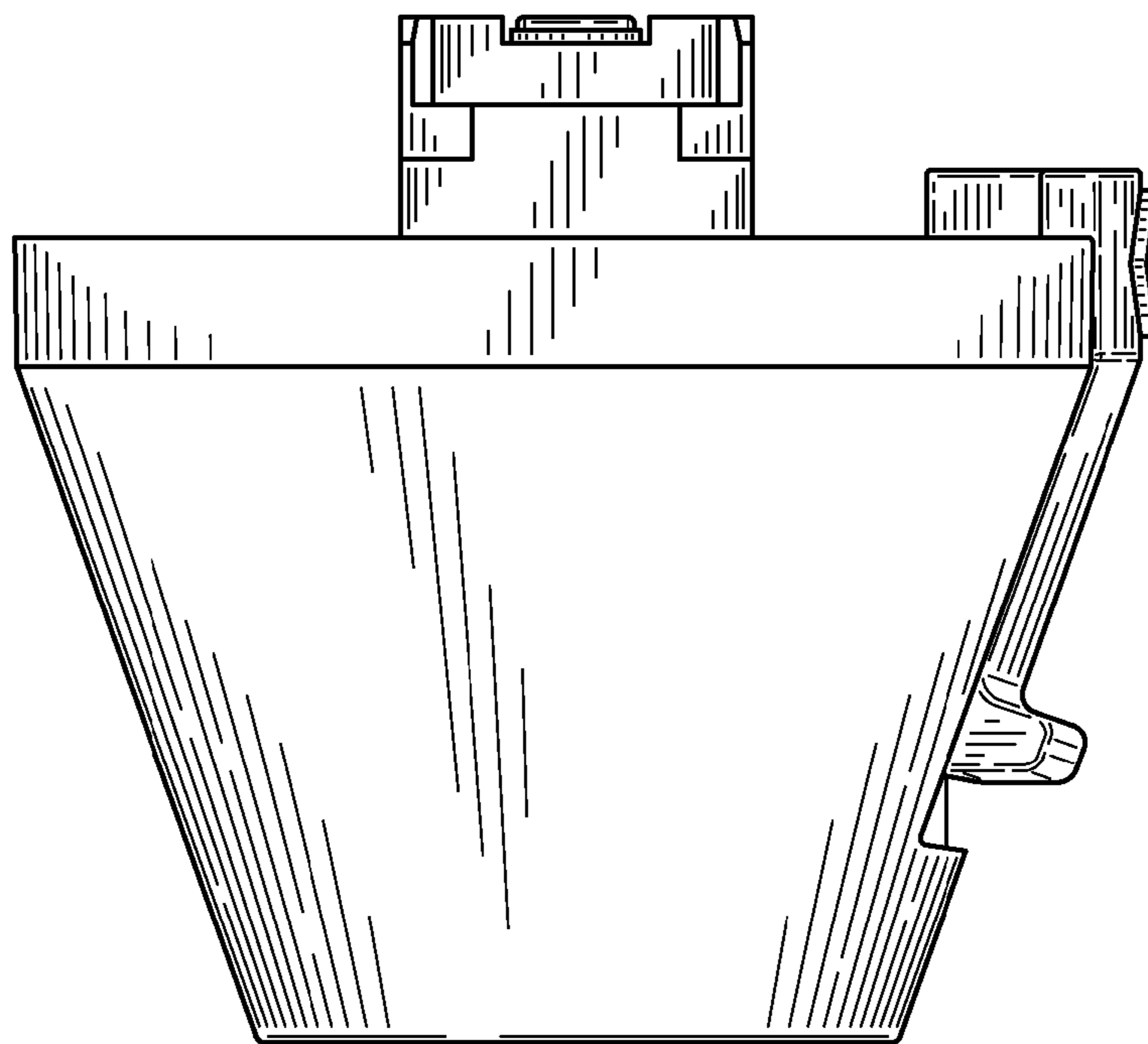


FIG. 2

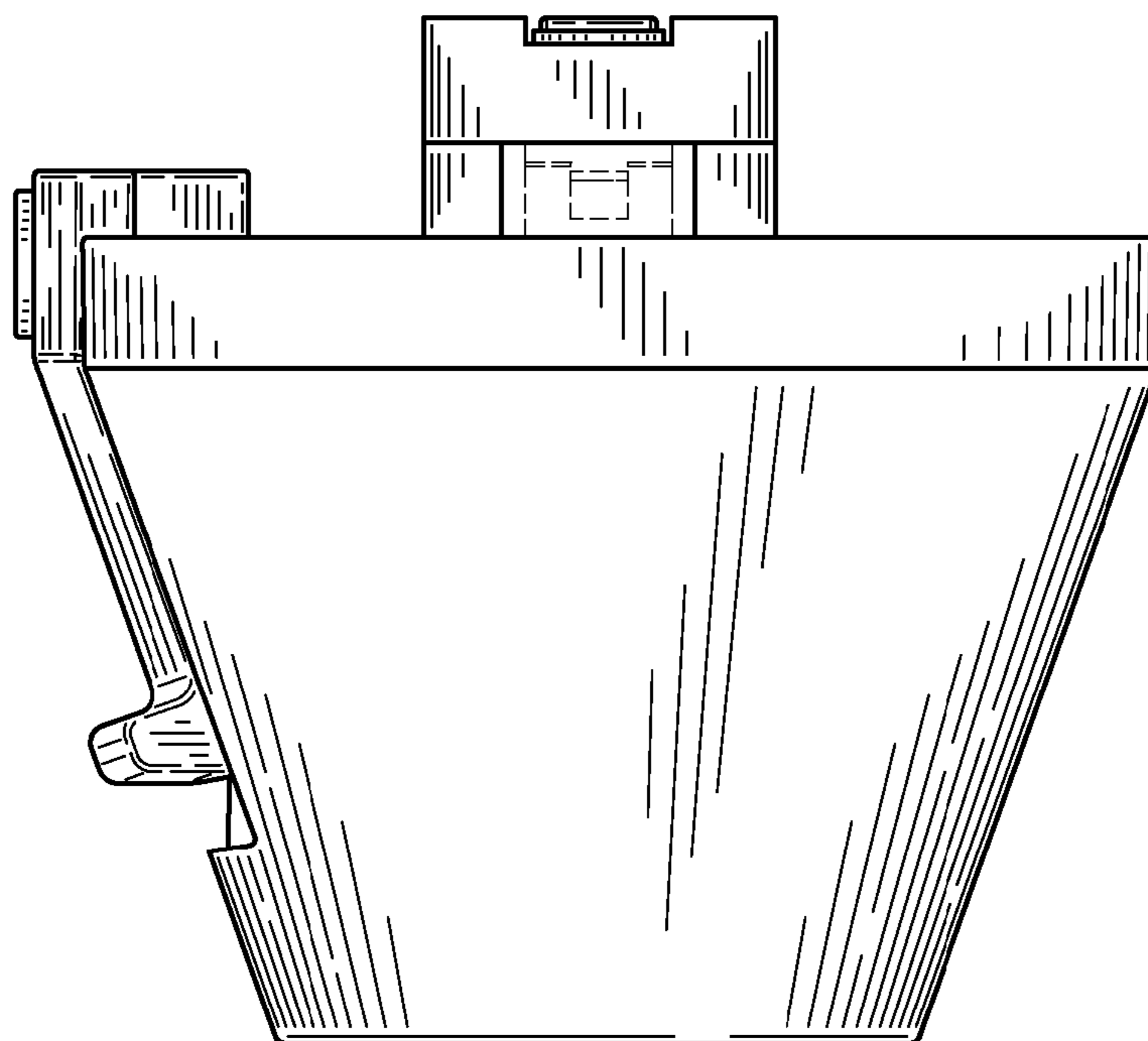


FIG. 3

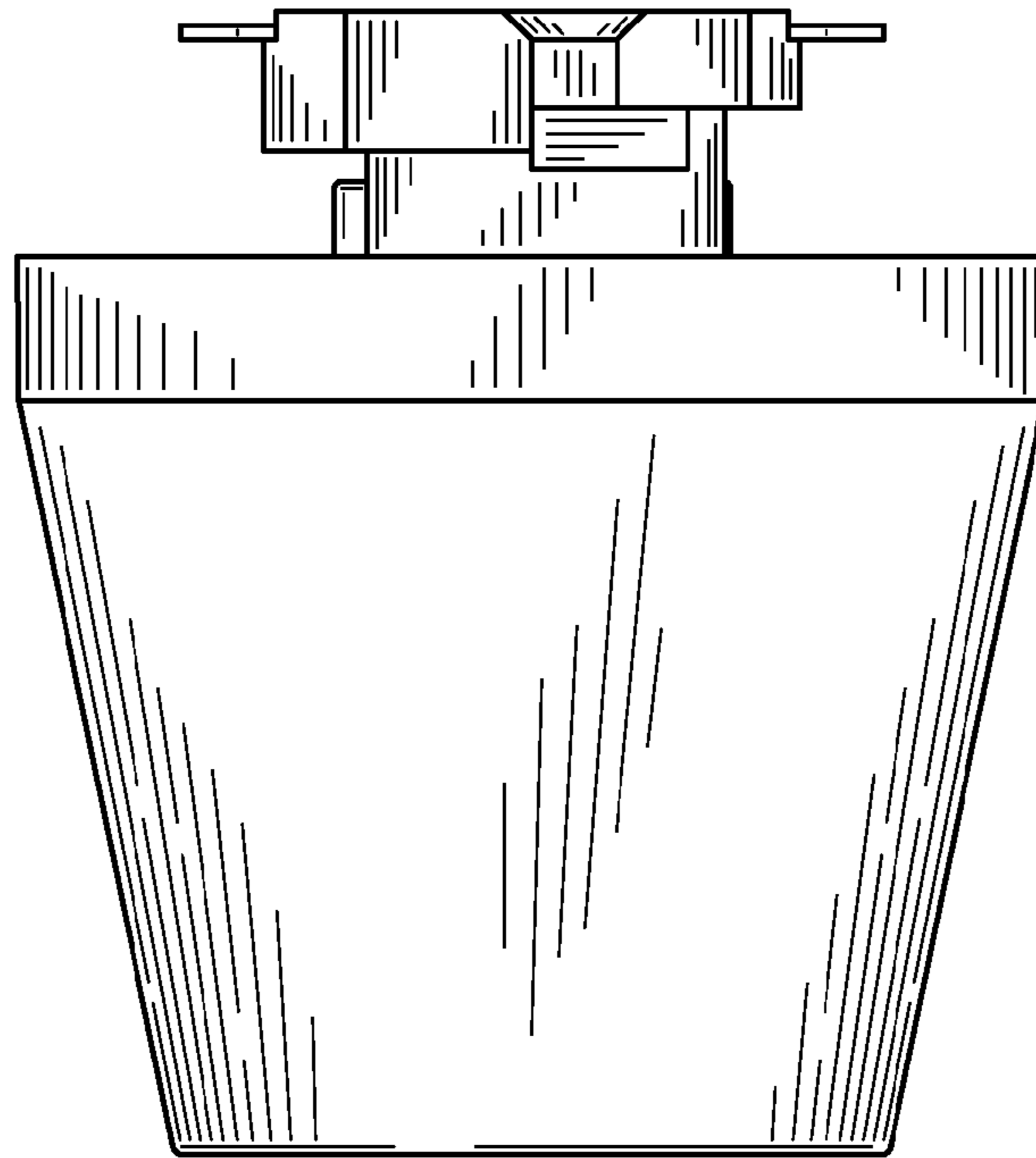


FIG. 4

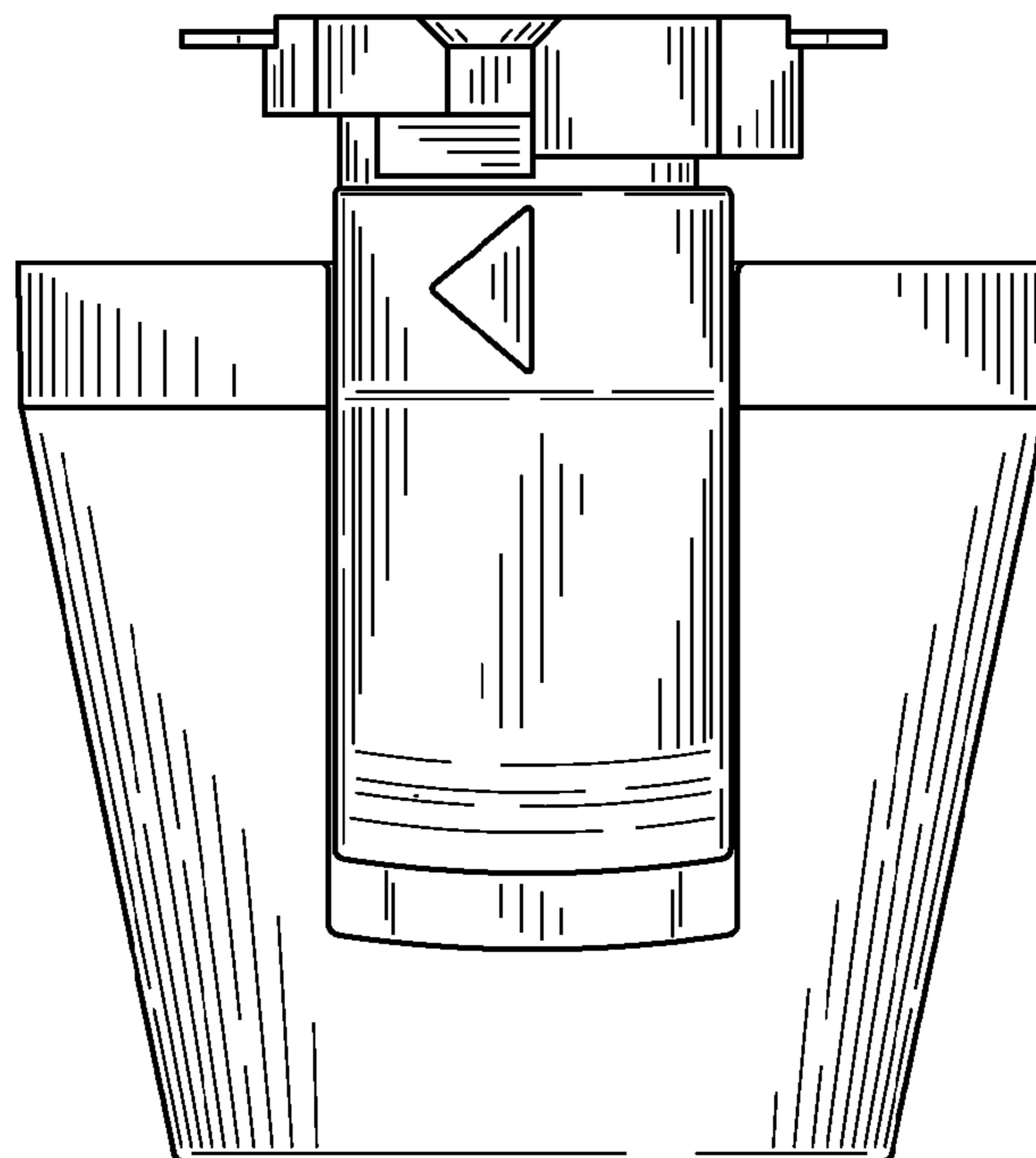


FIG. 5

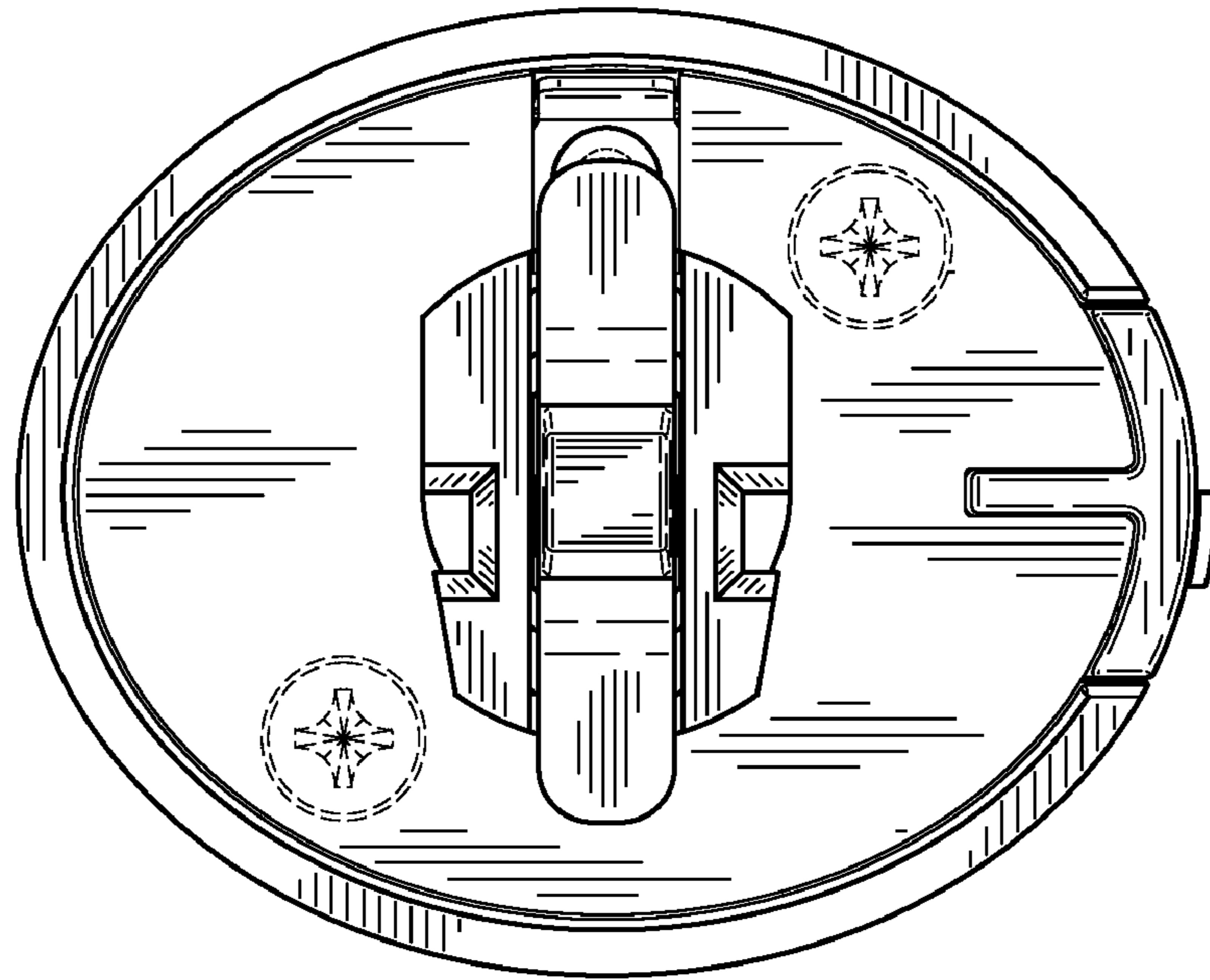


FIG. 6

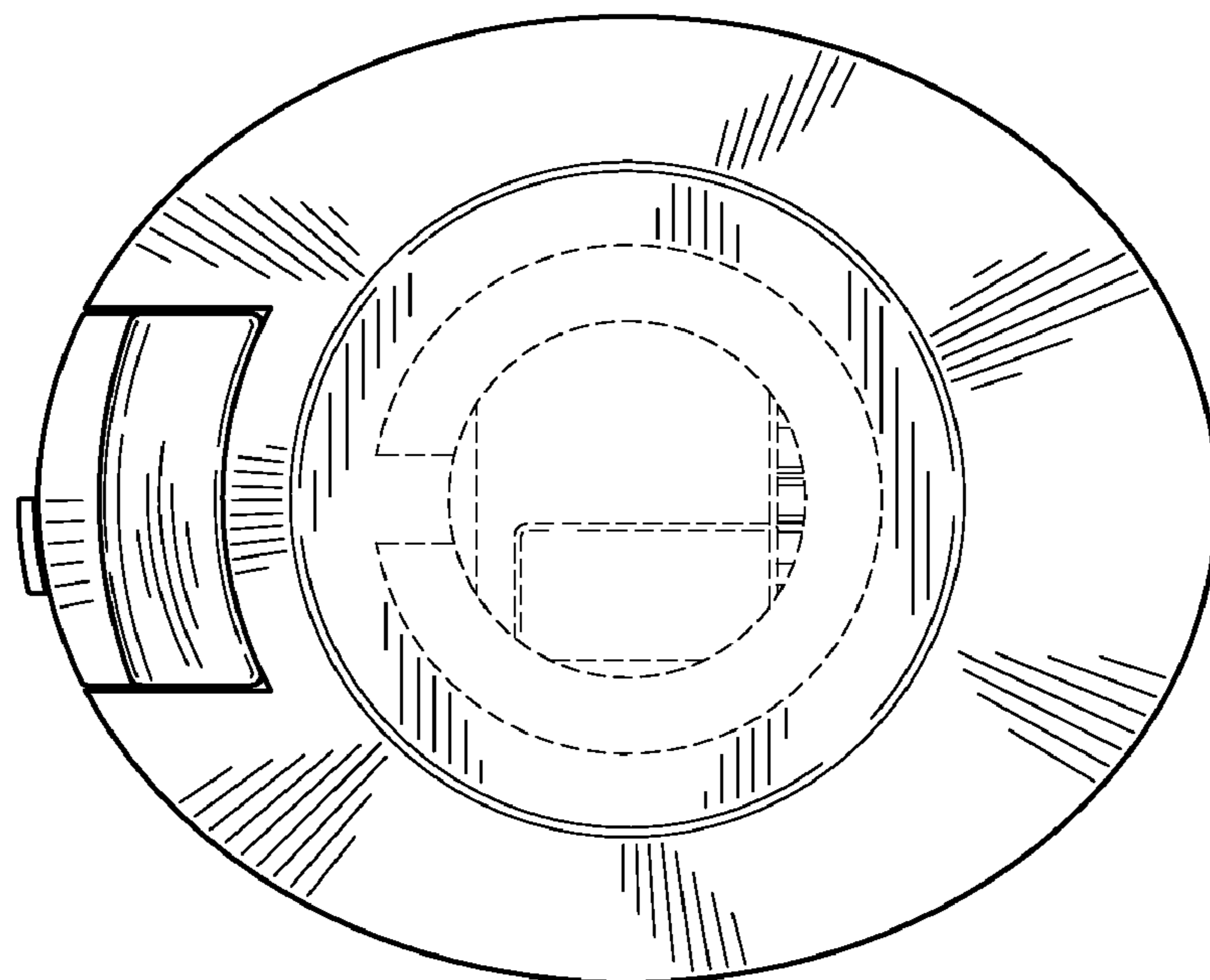


FIG. 7