



US00D594821S

(12) **United States Design Patent**
Wilson, Jr.

(10) **Patent No.:** **US D594,821 S**

(45) **Date of Patent:** **** Jun. 23, 2009**

(54) **INSULATOR**

(76) **Inventor:** **Robert M. Wilson, Jr.**, P.O. Box 157,
Battle Creek, MI (US) 49016-0157

(**) **Term:** **14 Years**

(21) **Appl. No.:** **29/320,668**

(22) **Filed:** **Jul. 1, 2008**

(51) **LOC (9) Cl.** **13-03**

(52) **U.S. Cl.** **D13/129**

(58) **Field of Classification Search** D13/129,
D13/131, 132; D8/354, 356, 363, 364; 174/158 F,
174/163 F, 175

See application file for complete search history.

(56) **References Cited**

U.S. PATENT DOCUMENTS

4,028,489	A *	6/1977	Berg et al.	174/166 R
4,771,137	A *	9/1988	Thompson	174/163 F
D416,859	S *	11/1999	Langlie et al.	D13/129
6,563,055	B1 *	5/2003	Burdick	174/158 F
6,583,363	B1 *	6/2003	Wilson, Jr.	174/158 F
D567,634	S *	4/2008	Sorkin	D8/354
2008/0296045	A1 *	12/2008	Pettersson et al.	174/137 R

* cited by examiner

Primary Examiner—Daniel D Bui

Assistant Examiner—Thomas J Johannes

(74) *Attorney, Agent, or Firm*—Gifford, Krass, Sprinkle,
Anderson & Citkowski, P.C.

(57) **CLAIM**

I claim the ornamental design for an insulator, as shown and described.

DESCRIPTION

FIG. 1 is environmental perspective view showing a top and a side of an electrical insulator according to the design, the post, clamps and wire being shown in phantom and forming no part of the design;

FIG. 2 is a perspective view showing a top and the other side of an electrical insulator according to the design;

FIG. 3 is a top plan view thereof;

FIG. 4 is a bottom plan view thereof;

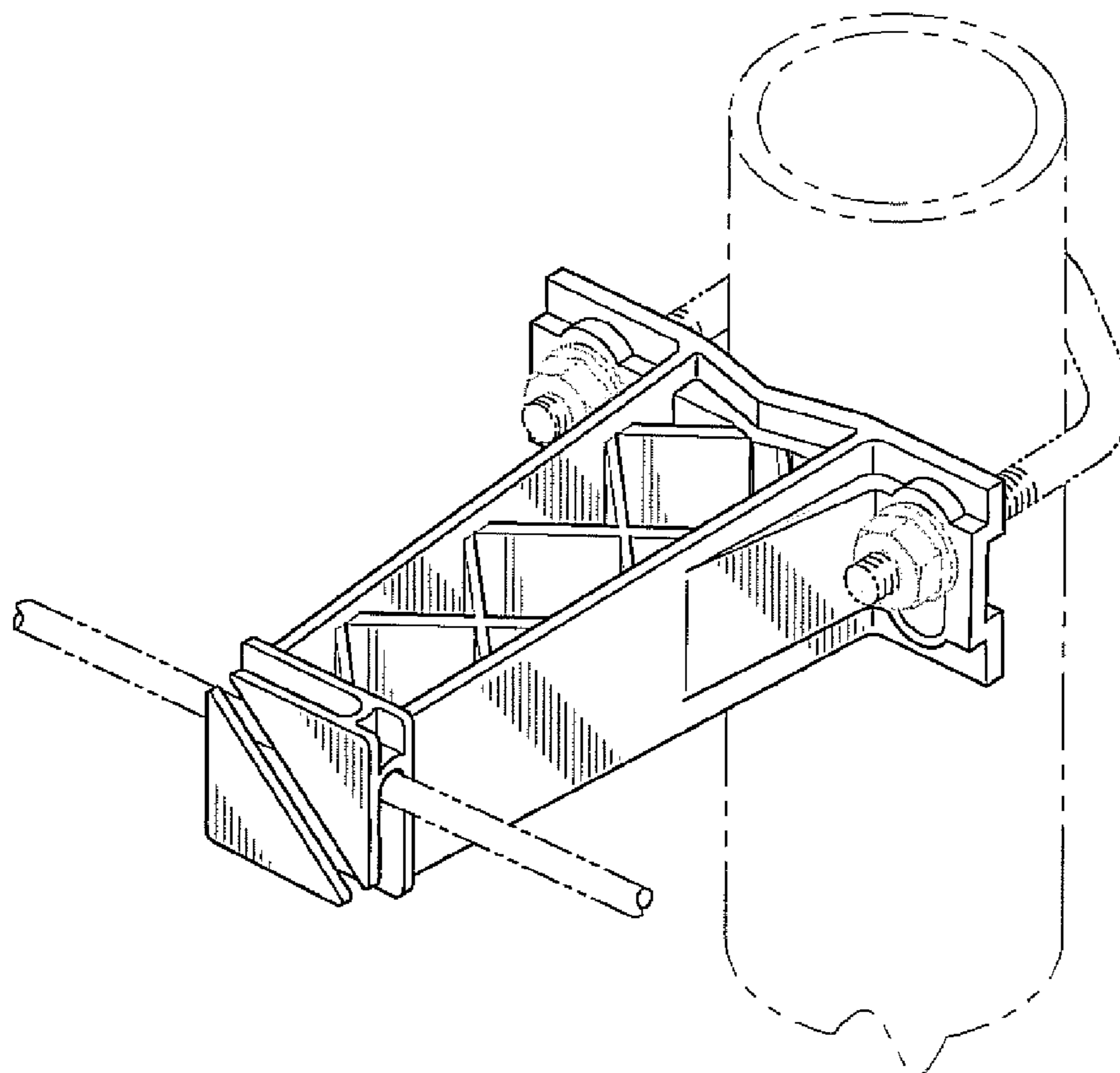
FIG. 5 is an end elevation view thereof;

FIG. 6 is an opposite end elevation view thereof;

FIG. 7 is a side elevation view thereof; and,

FIG. 8 is an opposite side elevation view thereof.

1 Claim, 3 Drawing Sheets



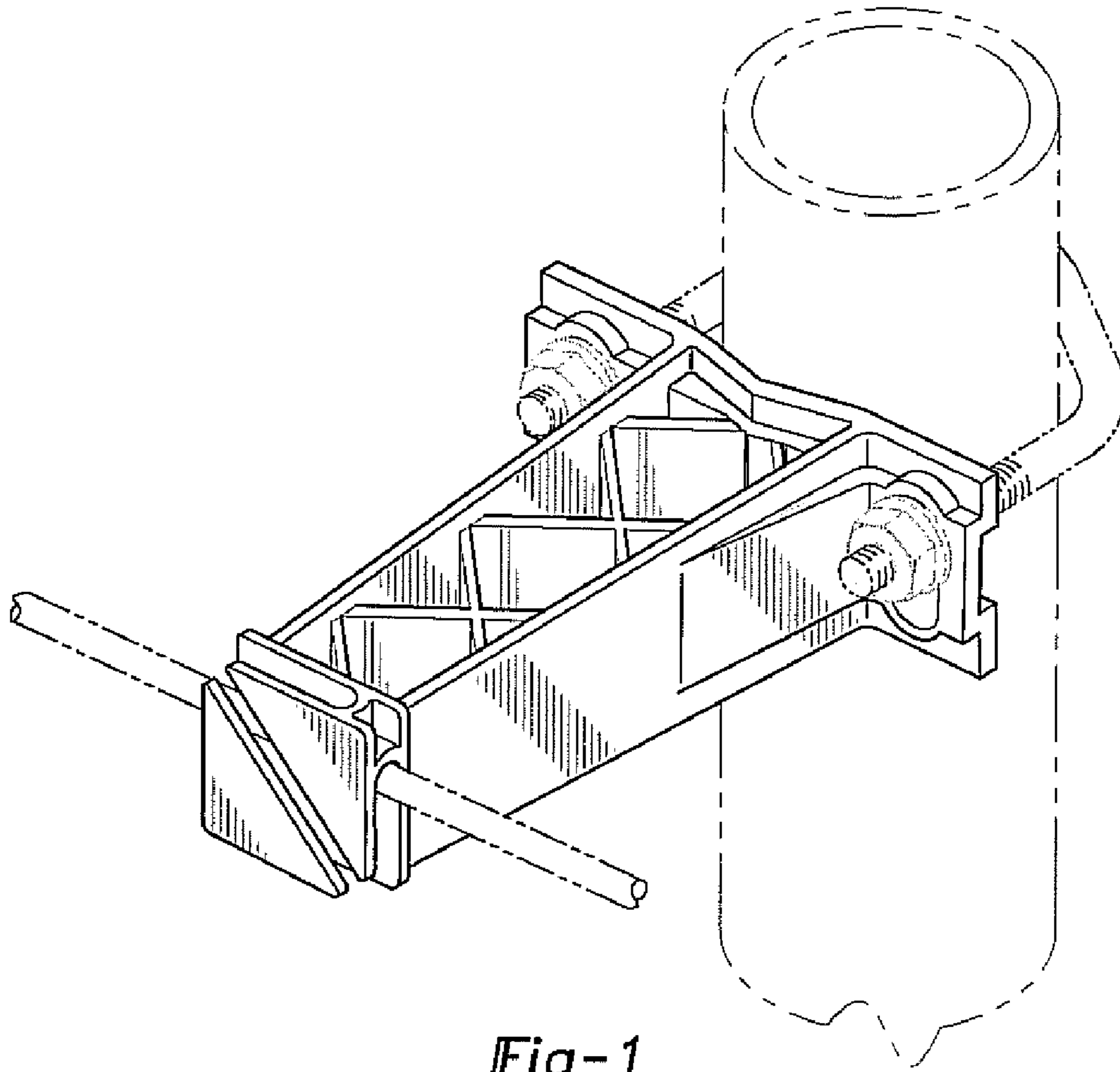


Fig-1

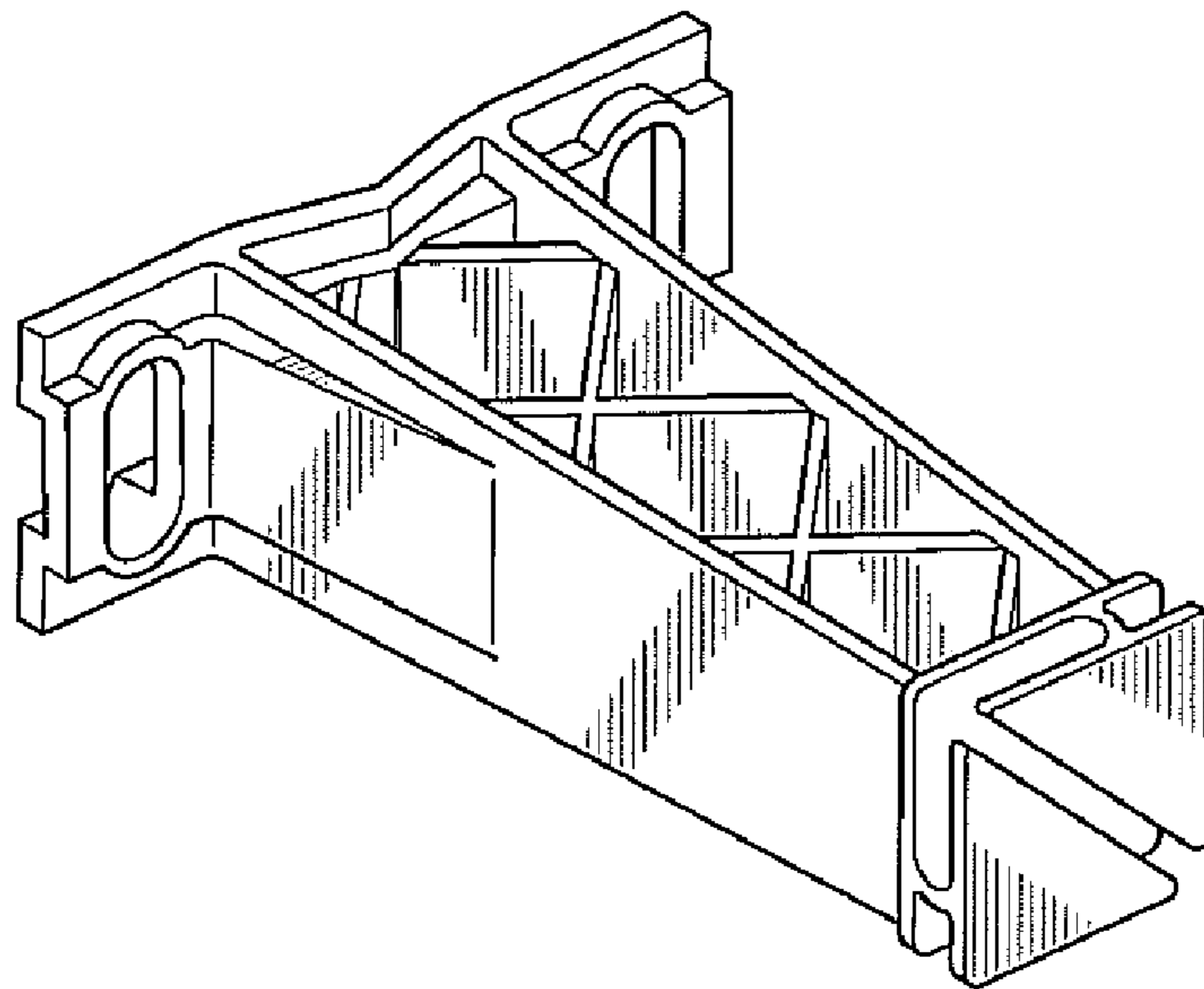


Fig-2

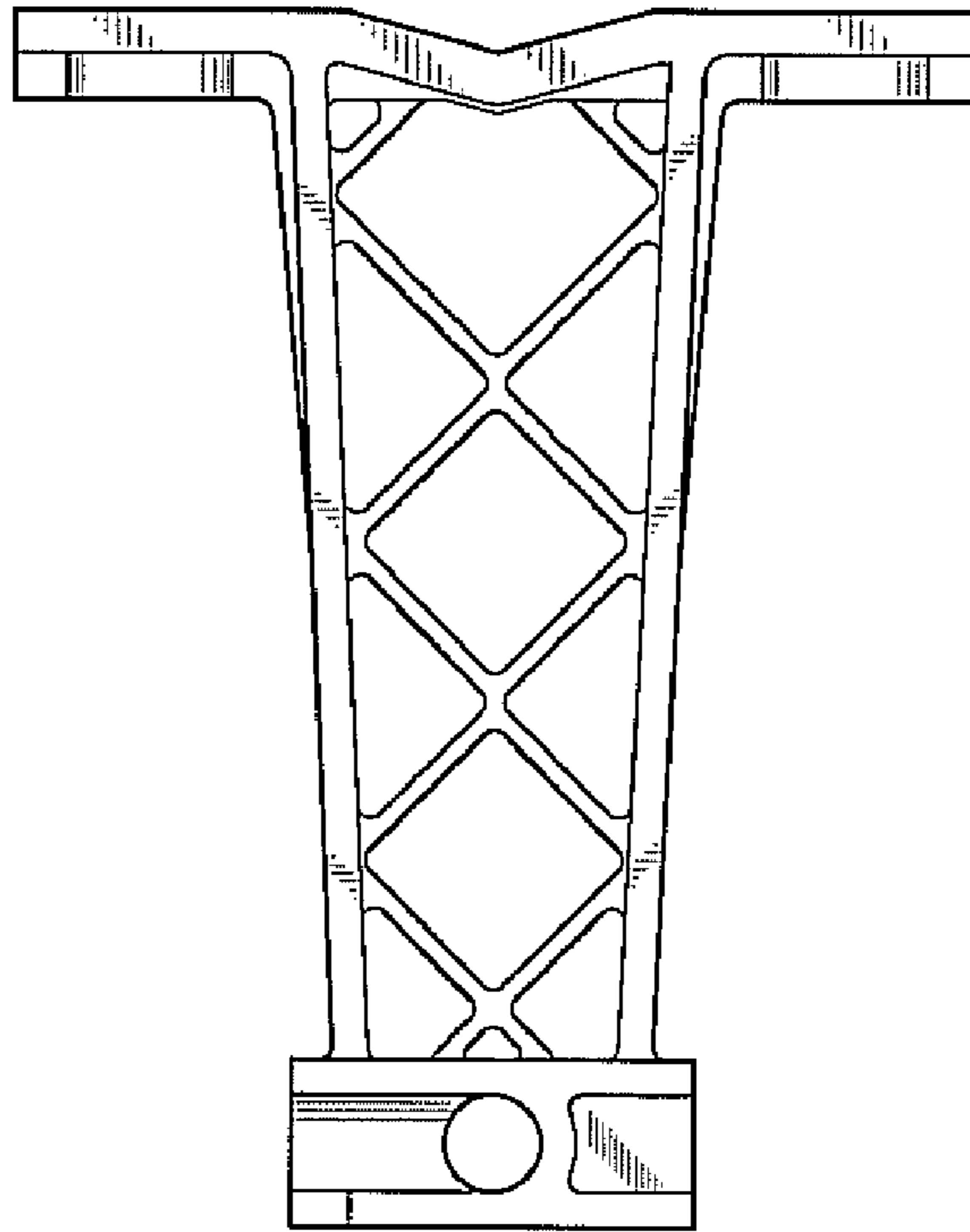


Fig-3

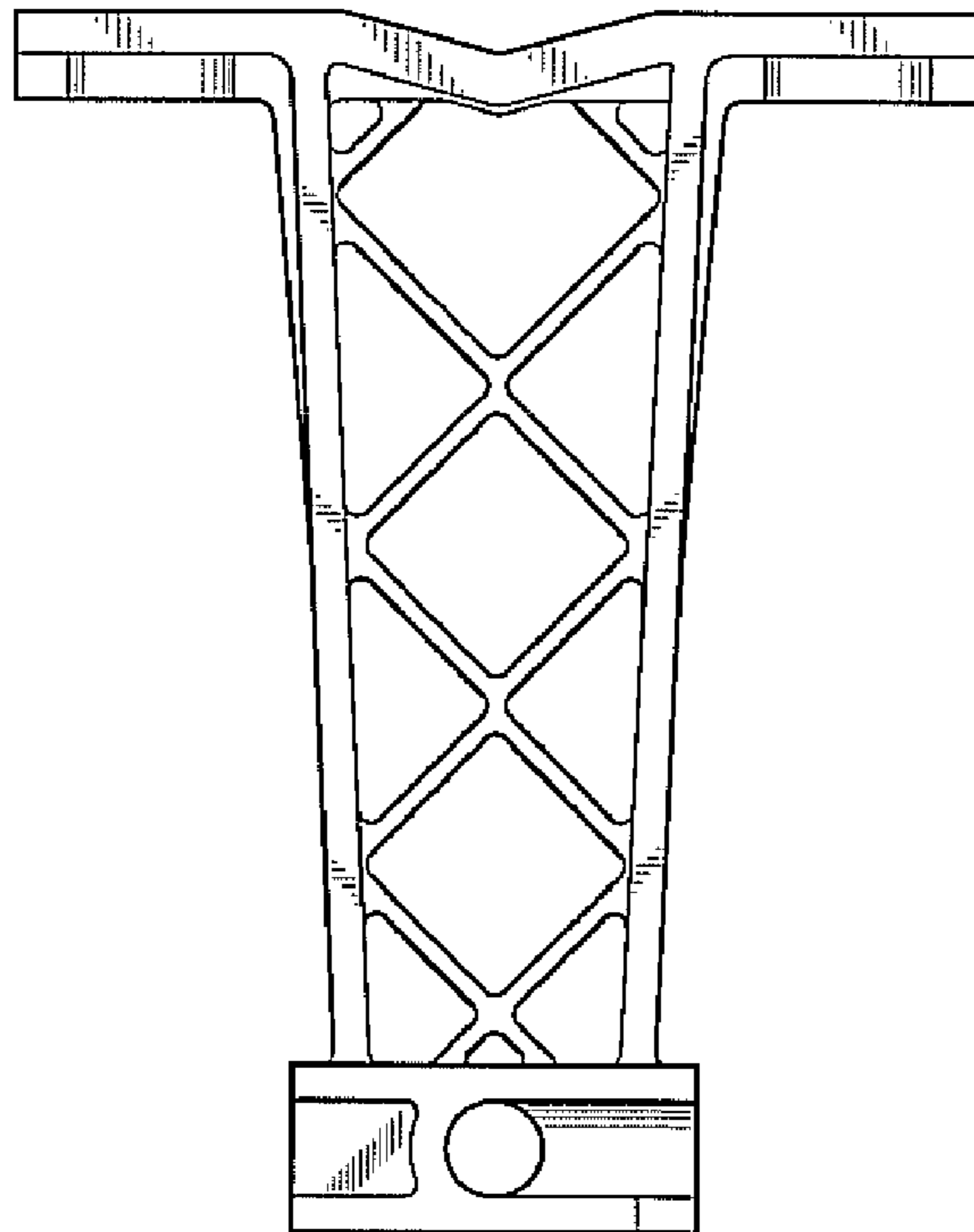


Fig-4

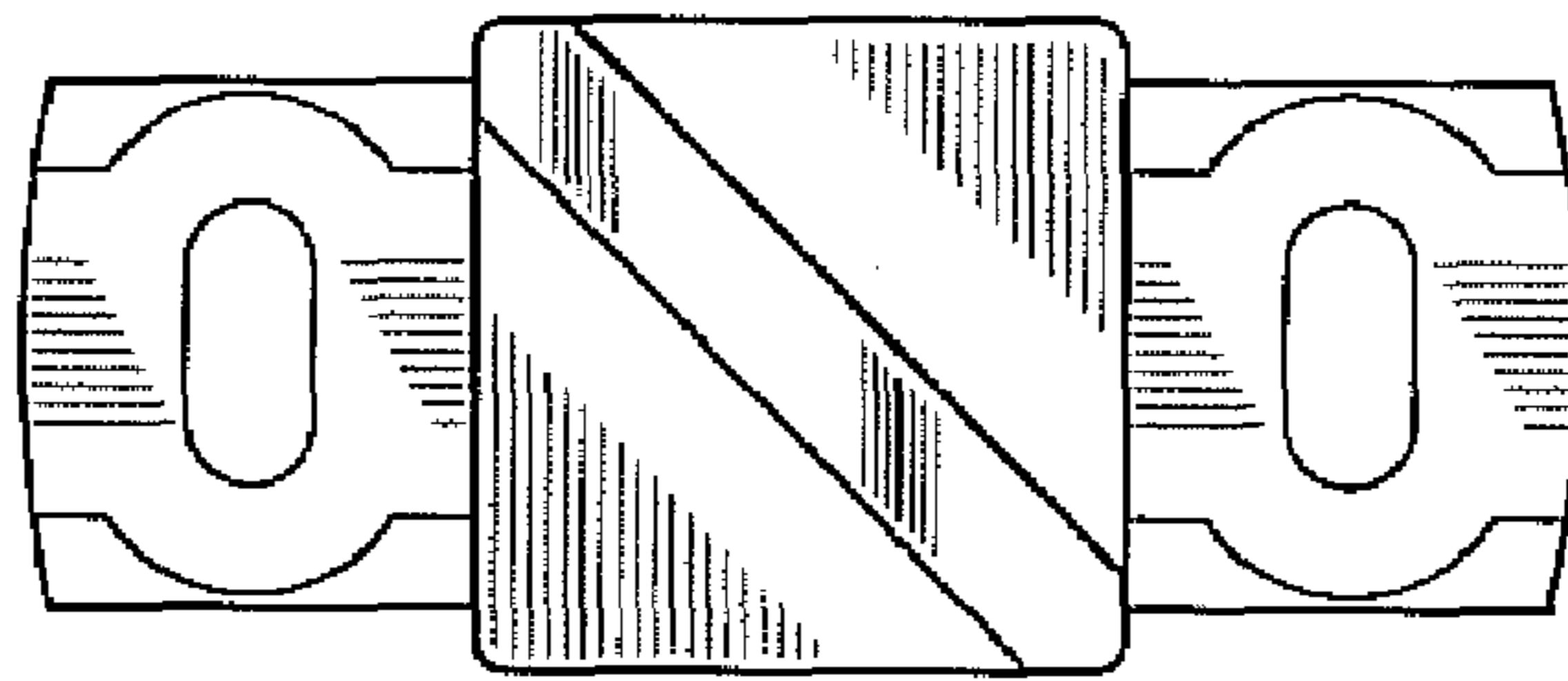


Fig-5

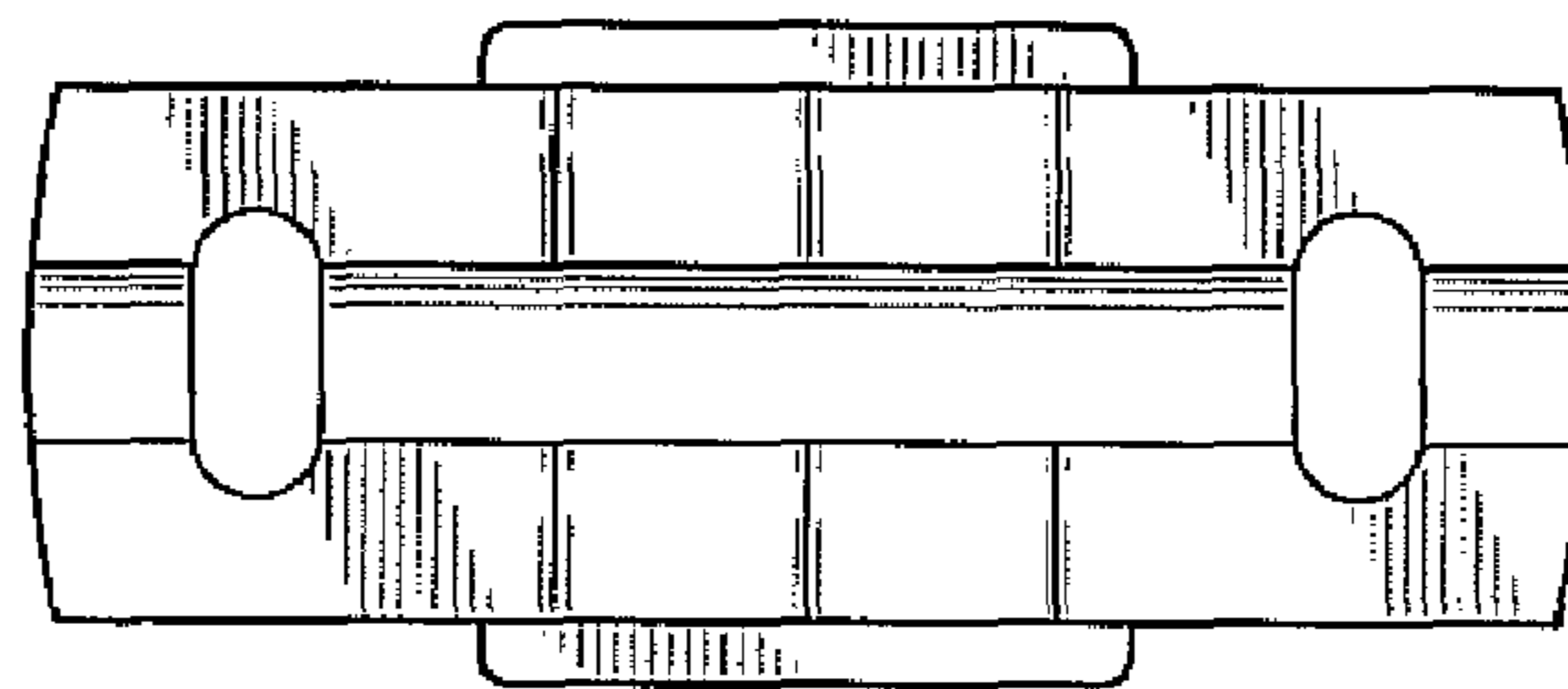


Fig-6

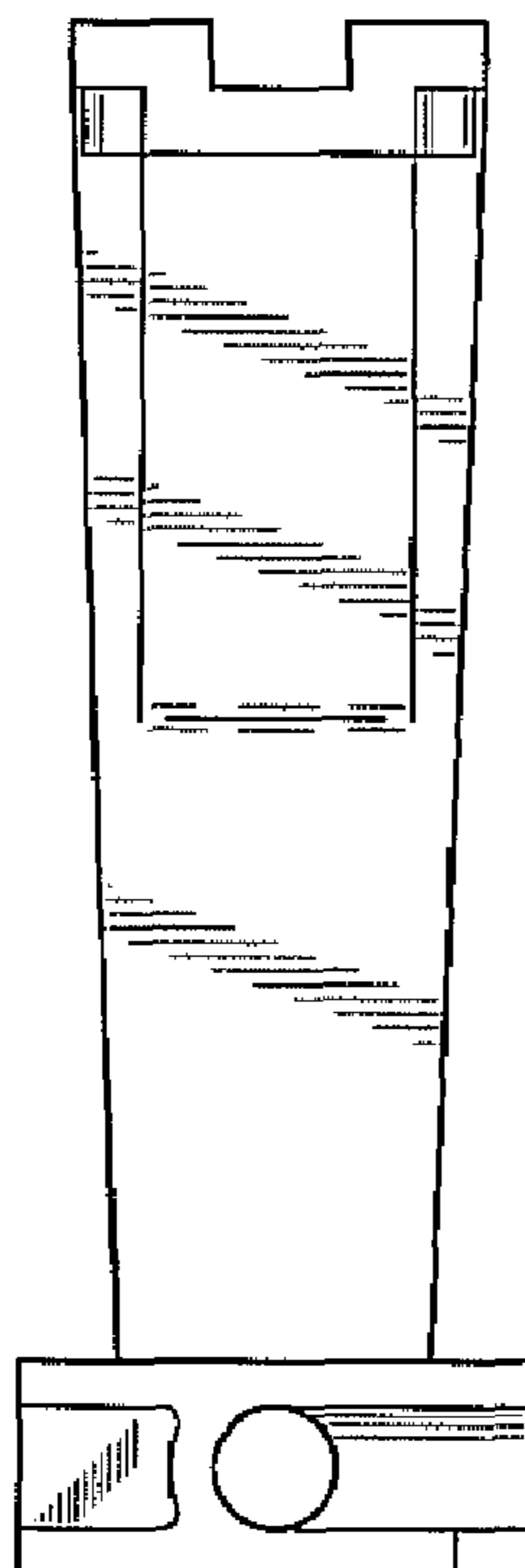


Fig-7

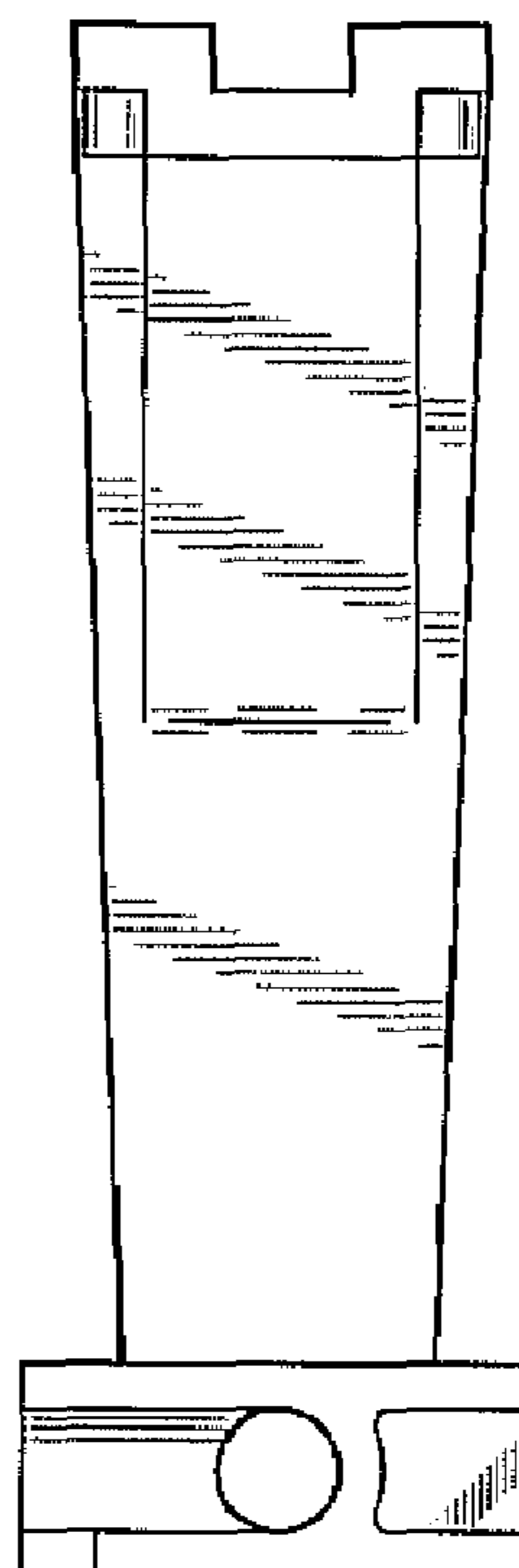


Fig-8