

US00D594820S

(12) **United States Design Patent**
Furuya

(10) **Patent No.:** **US D594,820 S**
(45) **Date of Patent:** **** Jun. 23, 2009**

(54) **INDUCTOR**

4,725,806 A * 2/1988 Chamberlin 336/192
D329,041 S * 9/1992 Masuda et al. D13/117
6,246,311 B1 * 6/2001 Finnemore et al. 336/192

(75) Inventor: **Masahiro Furuya**, Fujiyoshida (JP)

* cited by examiner

(73) Assignee: **Citizen Electronic Co., Ltd.**, Yamanashi (JP)

Primary Examiner—Prabhakar Deshmukh

Assistant Examiner—Derrick Holland

(**) Term: **14 Years**

(74) *Attorney, Agent, or Firm*—Browdy and Neimark, P.L.L.C.

(21) Appl. No.: **29/305,374**

(22) Filed: **Mar. 19, 2008**

(57) **CLAIM**

(30) **Foreign Application Priority Data**

The ornamental design for an inductor, as shown and described.

Sep. 19, 2007 (JP) 2007-025232

DESCRIPTION

(51) **LOC (9) Cl.** **13-02**

FIG. 1 is a top perspective view of an inductor showing my new design;

(52) **U.S. Cl.** **D13/117**

FIG. 2 is a bottom perspective view thereof;

(58) **Field of Classification Search** D13/117,
D13/182, 199; 336/15, 65, 83, 98, 192, 210,
336/222, 229

FIG. 3 is a front view thereof, the rear being a mirror image;

See application file for complete search history.

FIG. 4 is a right side view thereof, the left being a mirror image;

(56) **References Cited**

FIG. 5 is a top plan view thereof; and,

U.S. PATENT DOCUMENTS

FIG. 6 is a bottom plan view thereof.

D137,250 S * 2/1944 Moore D13/117
2,741,528 A * 4/1956 Clark et al. 336/98

1 Claim, 3 Drawing Sheets

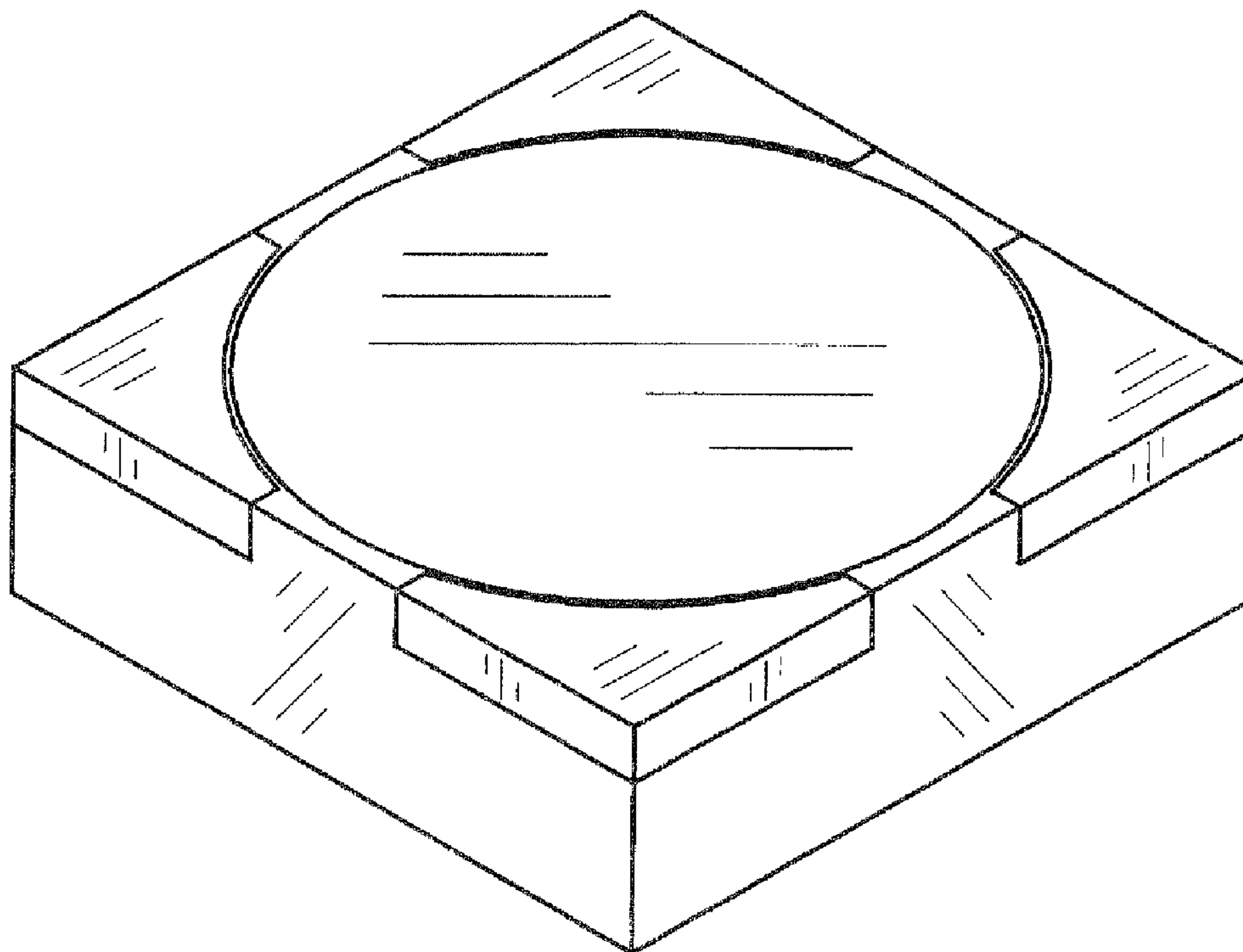


Fig. 1

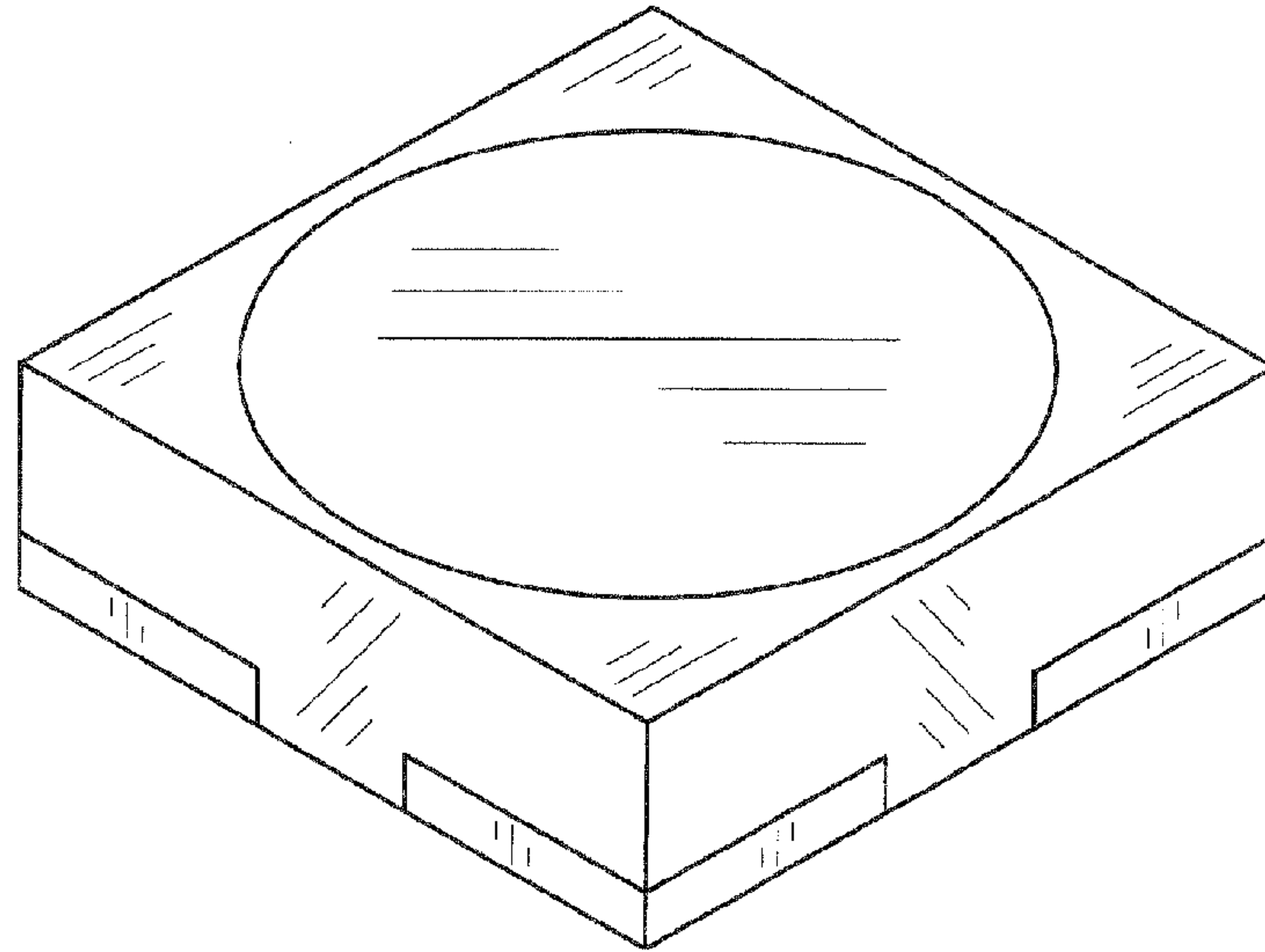


Fig. 2

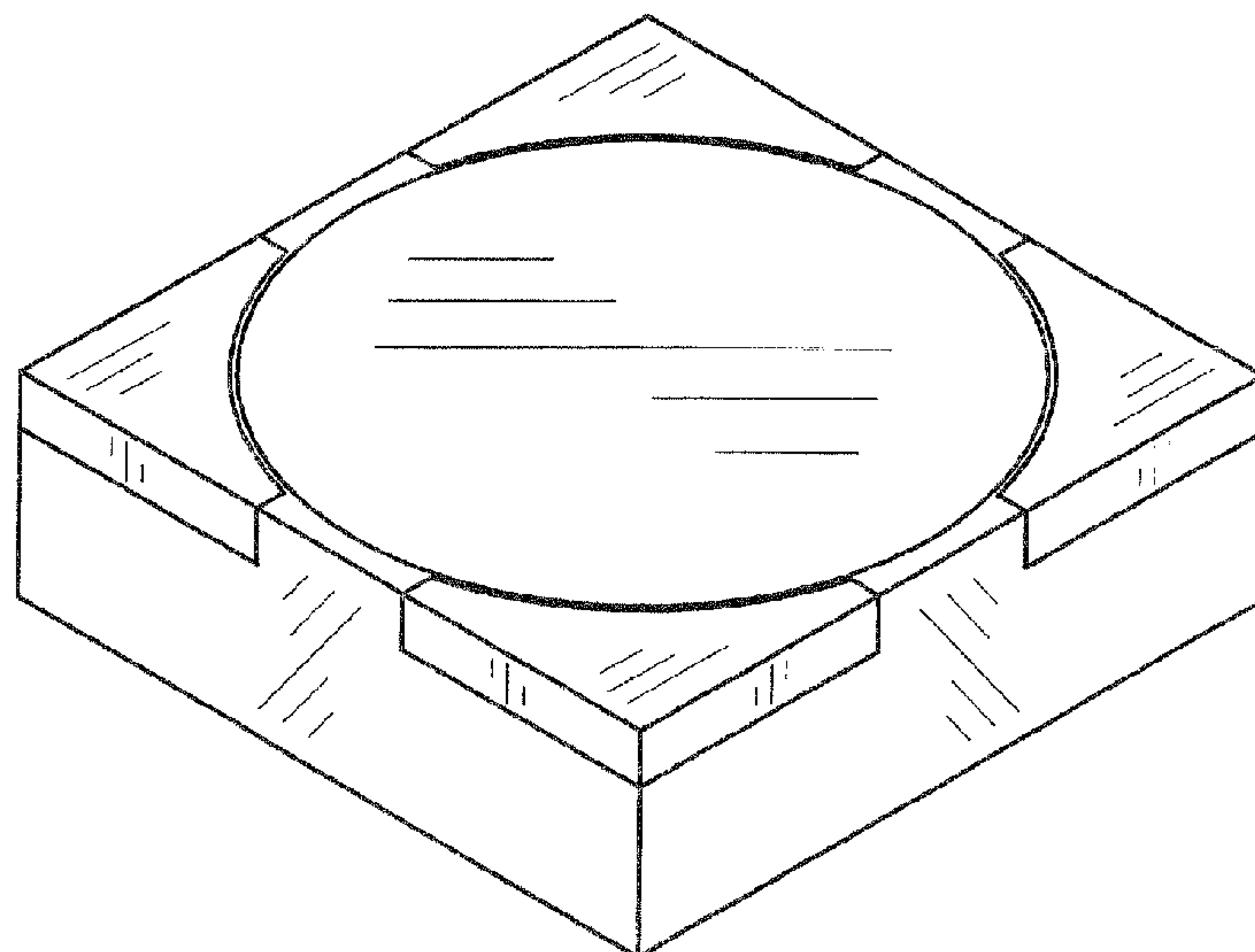


Fig. 3

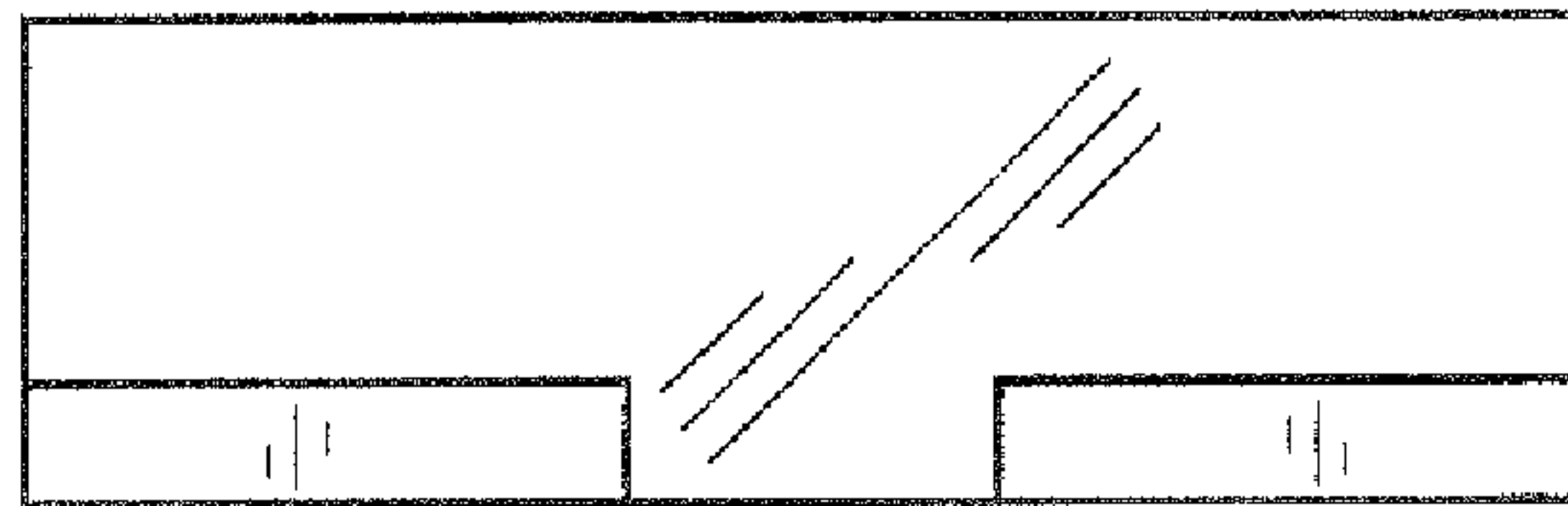


Fig. 4

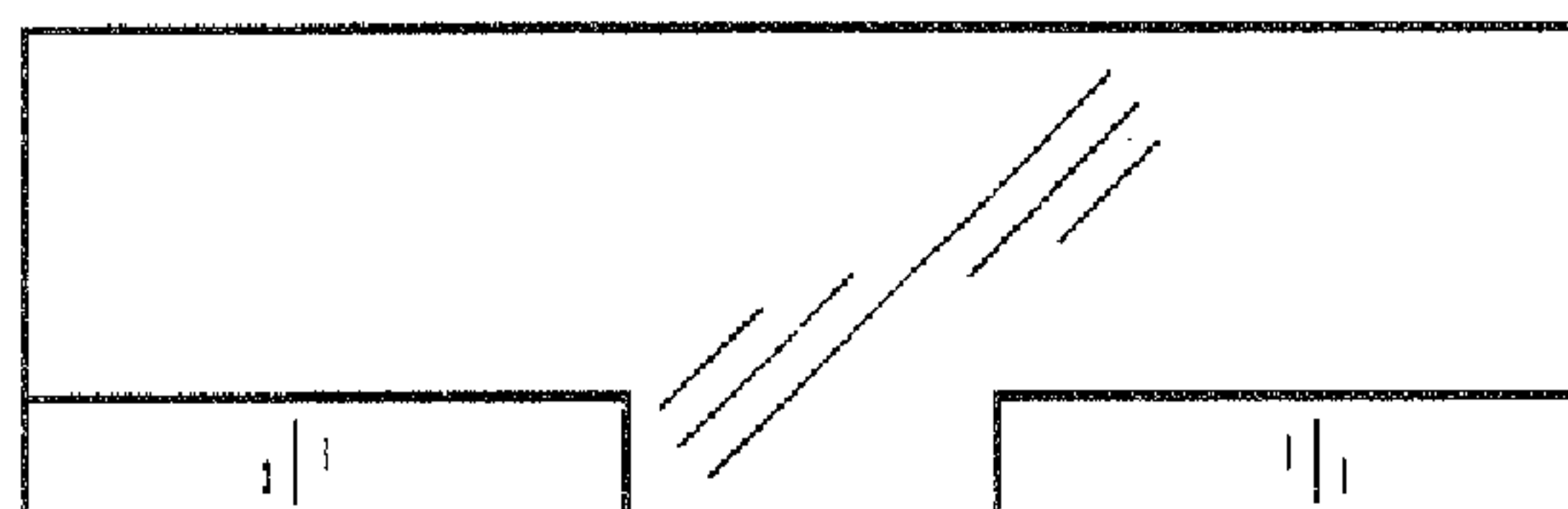


Fig. 5

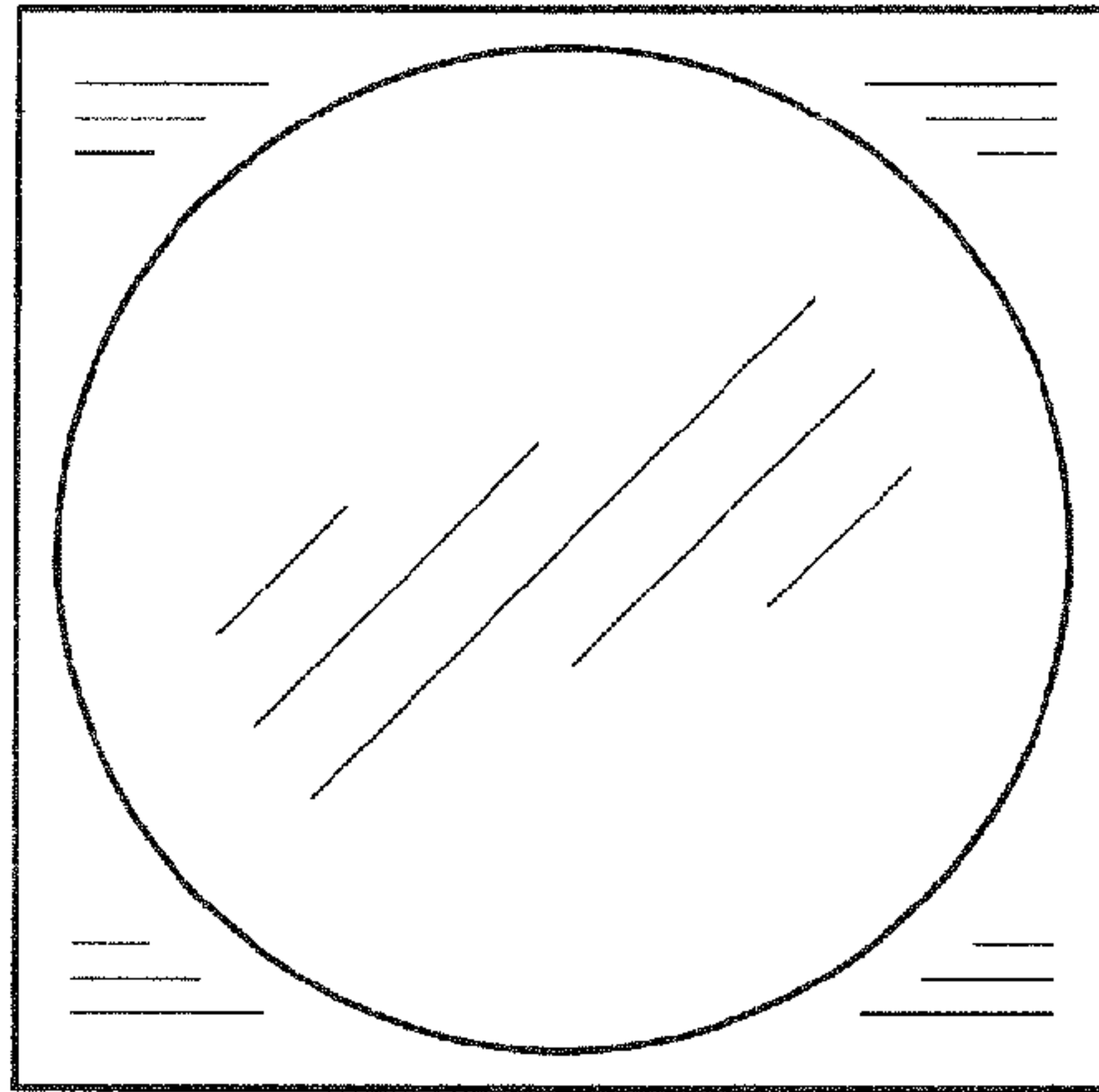


Fig. 6

