



US00D594817S

(12) **United States Design Patent**
Abdallah et al.

(10) **Patent No.:** **US D594,817 S**
(45) **Date of Patent:** **** Jun. 23, 2009**

(54) **UNIVERSAL CHARGER**

(75) Inventors: **Ahmed Abdallah**, Palmdale, CA (US);
Sijia Yang, Lake Balboa, CA (US); **Ali Saberi**, Encino, CA (US)

(73) Assignee: **USA Wireless Solutions**, Wood Dale, IL (US)

(**) Term: **14 Years**

(21) Appl. No.: **29/319,822**

(22) Filed: **Jun. 16, 2008**

(51) **LOC (9) Cl.** **13-02**

(52) **U.S. Cl.** **D13/107; D13/144**

(58) **Field of Classification Search** D13/107–110,
D13/118–119, 144, 184; D14/155, 251,
D14/253, 432, 434; 320/107–115; 439/300,
439/620, 638, 668–669, 675, 825; 363/146
See application file for complete search history.

(56) **References Cited**

U.S. PATENT DOCUMENTS

4,625,259	A	11/1986	Krechmer et al.	
5,086,958	A	2/1992	Nagy	
5,275,180	A	1/1994	Yeh	
5,414,770	A	5/1995	Wang	
D367,846	S *	3/1996	Moshe	D13/144
5,499,187	A	3/1996	Smith	
5,687,234	A	11/1997	Chang	
5,736,830	A	4/1998	Weng	
5,829,993	A	11/1998	Wu	
5,847,545	A *	12/1998	Chen et al.	320/138
5,918,187	A	6/1999	Weng	
5,967,807	A	10/1999	Wu	
6,478,628	B1 *	11/2002	Ming	439/668
D526,962	S *	8/2006	Krieger et al.	D13/144
D543,940	S *	6/2007	Hussaini et al.	D13/144
D544,439	S *	6/2007	Hussaini et al.	D13/110

D544,440	S *	6/2007	Dayan	D13/110
D548,692	S *	8/2007	Krieger et al.	D13/110
D548,694	S *	8/2007	Krieger et al.	D13/110
D551,166	S *	9/2007	Dayan	D13/110
D551,170	S *	9/2007	Hussaini et al.	D13/144
D554,585	S *	11/2007	Nazar	D13/110
D559,776	S *	1/2008	Kim	D13/108

FOREIGN PATENT DOCUMENTS

TW	225942	6/1994
TW	236244	12/1994
TW	268155	1/1996

* cited by examiner

Primary Examiner—Jennifer Rivard

Assistant Examiner—Rosemary K Tarcza

(74) *Attorney, Agent, or Firm*—Gerald E. Hespos; Anthony J. Casella

(57) **CLAIM**

The ornamental design for a universal charger, as shown and described.

DESCRIPTION

FIG. 1 is a perspective view of a universal charger in accordance with our design;

FIG. 2 is a top plan view of the universal charger shown in FIG. 1;

FIG. 3 is a right side elevational view thereof;

FIG. 4 is a front elevational view thereof;

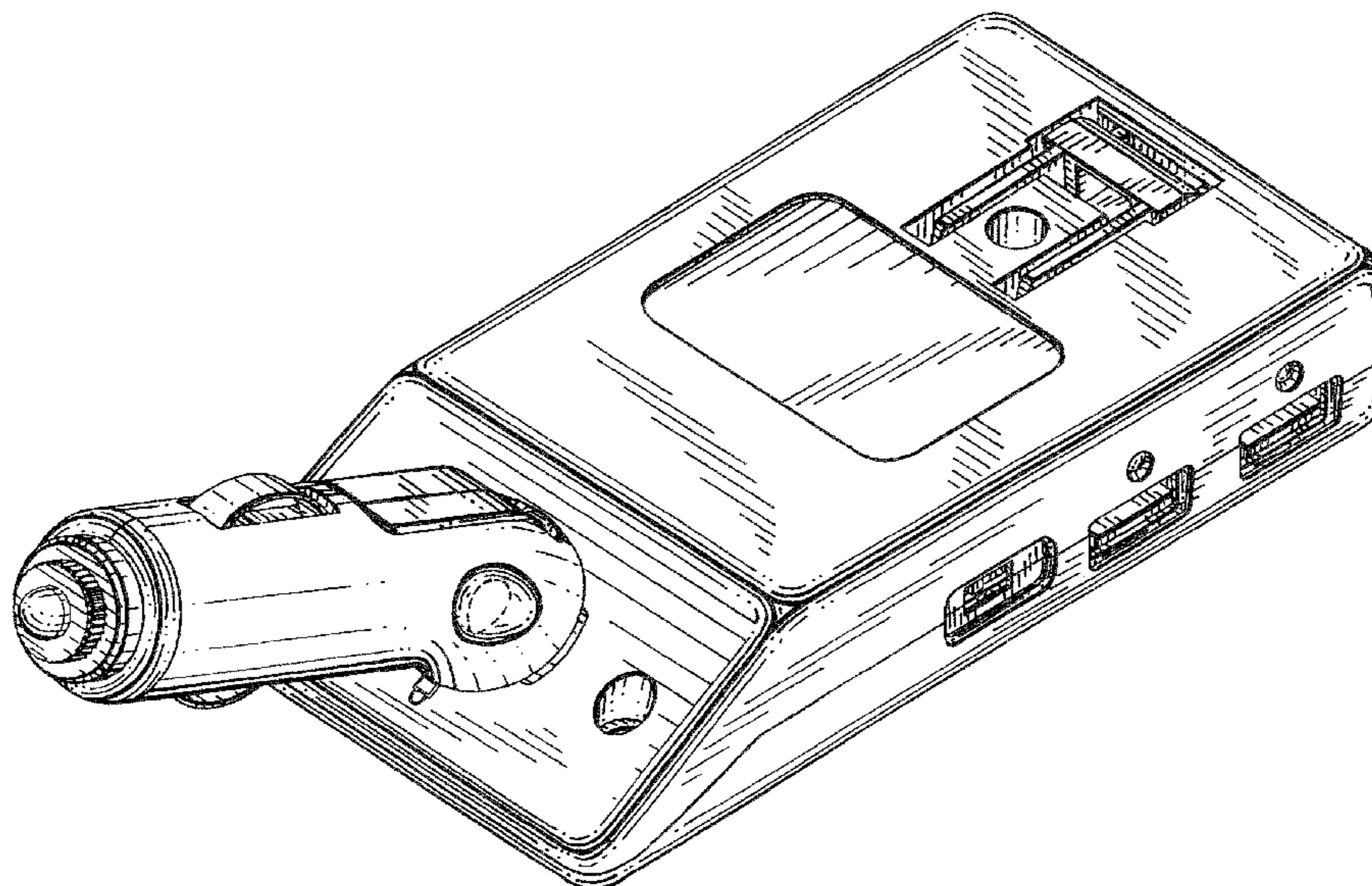
FIG. 5 is a rear elevational view thereof;

FIG. 6 is a left side elevational view thereof; and,

FIG. 7 is a bottom plan view thereof.

The broken lines shown are included for the purpose of illustrating environmental features and form no part of the claimed design.

1 Claim, 6 Drawing Sheets



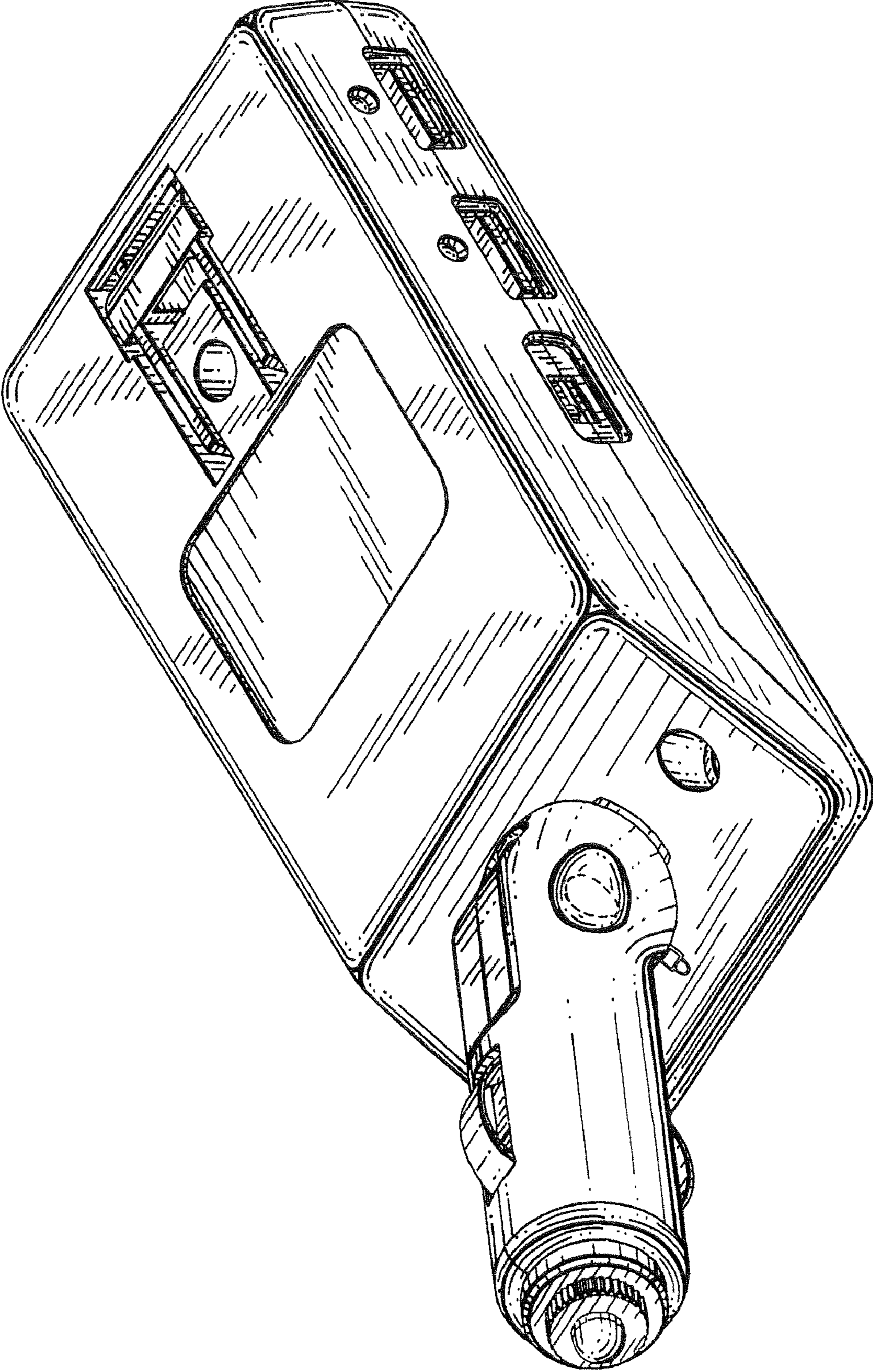


FIG.1

FIG. 2

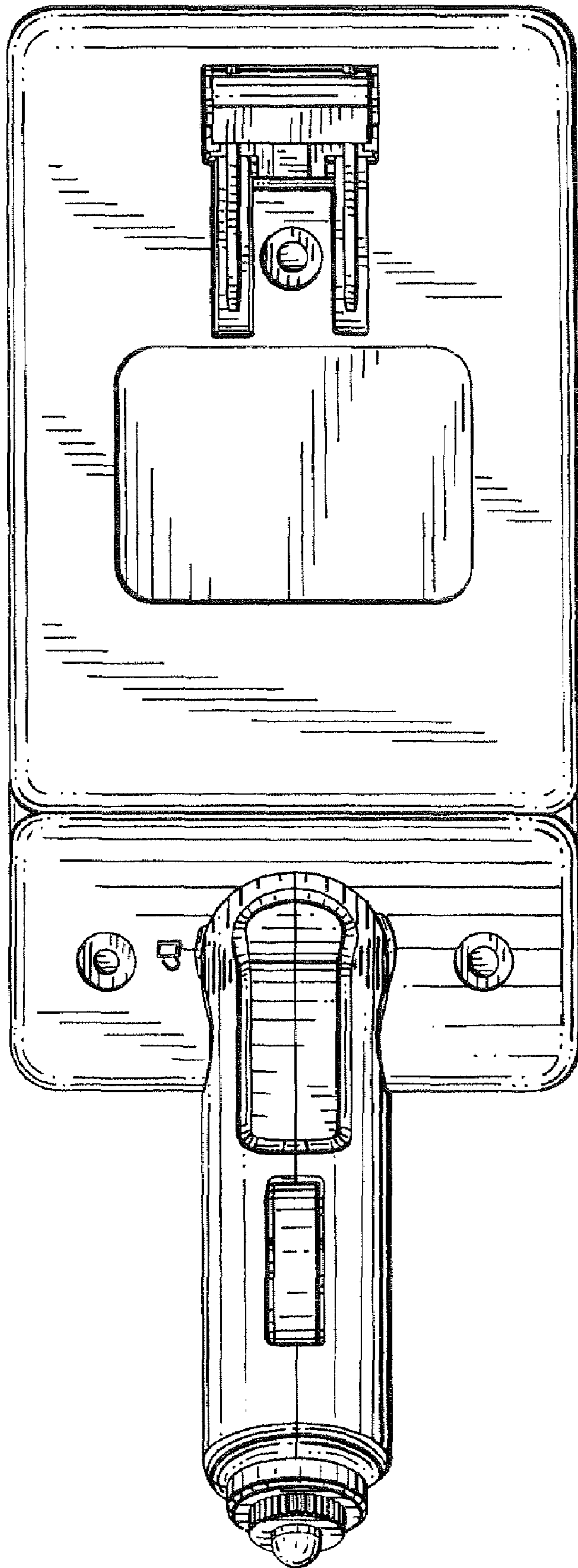
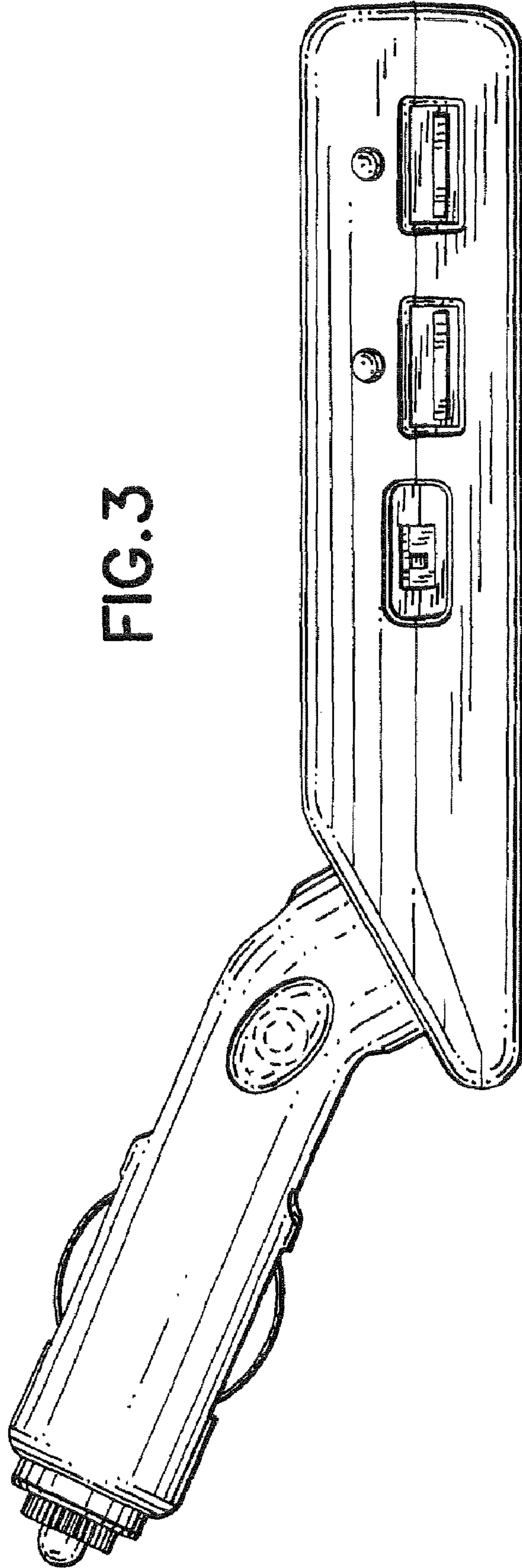


FIG. 3



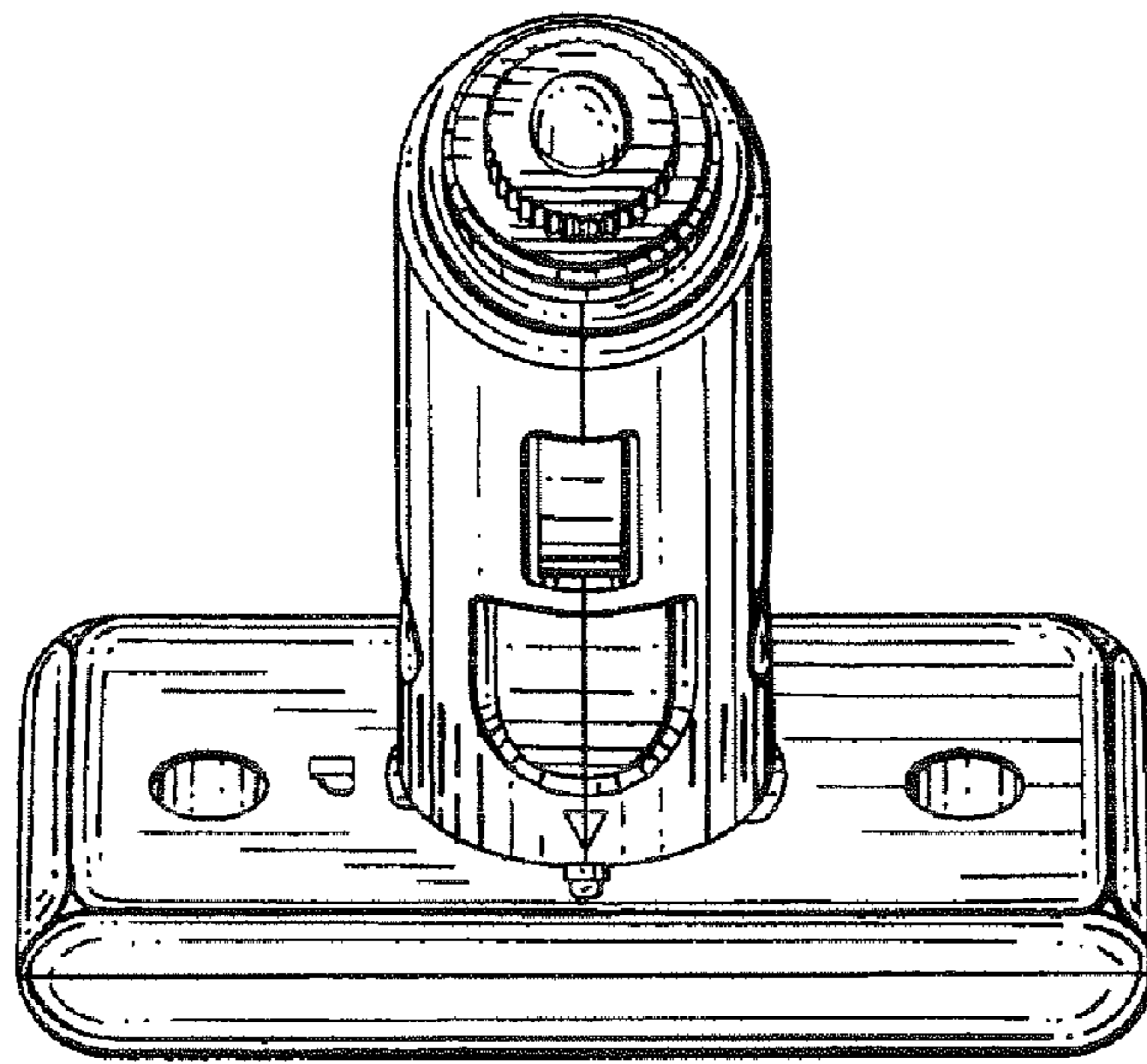


FIG. 4

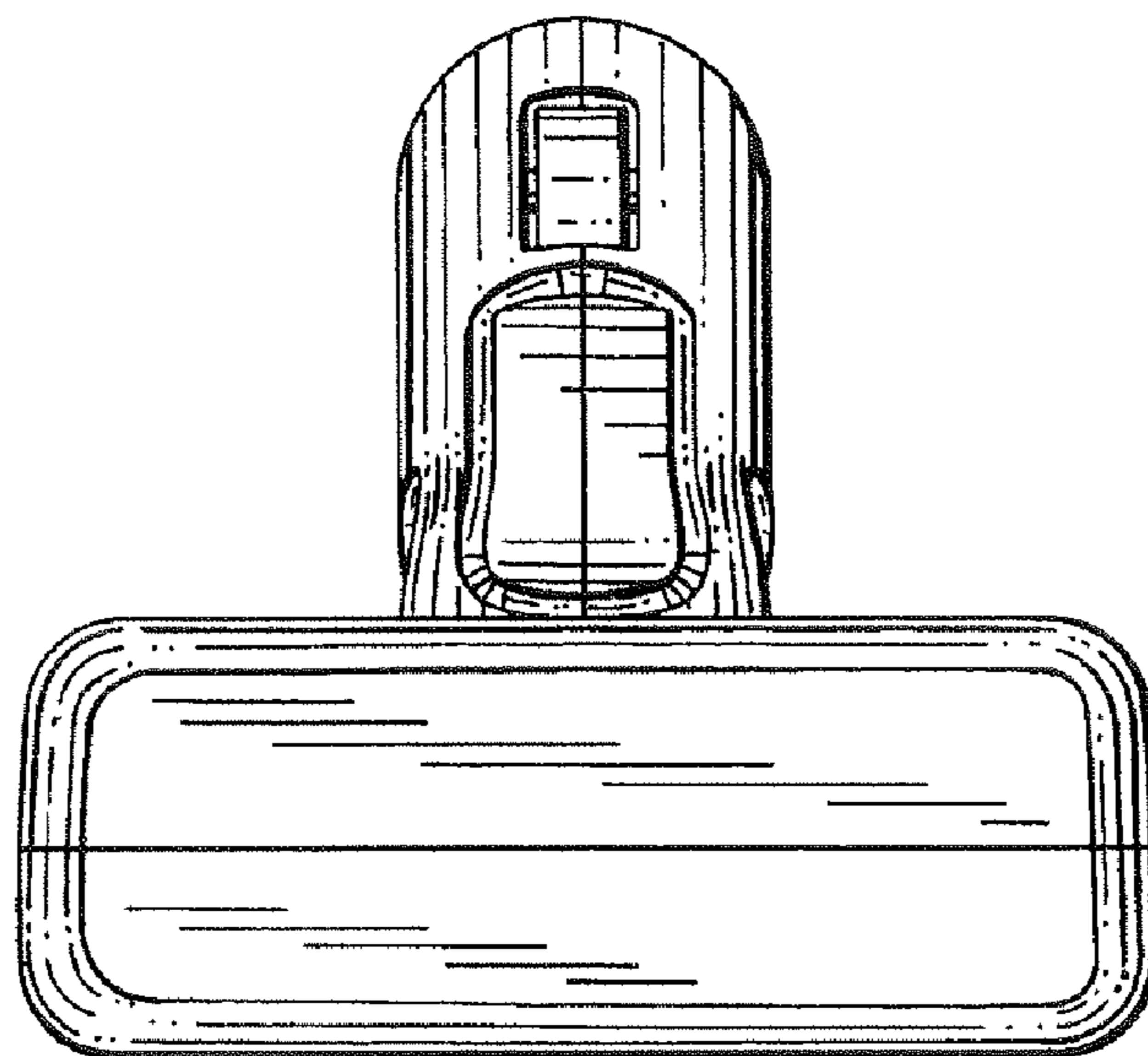


FIG. 5

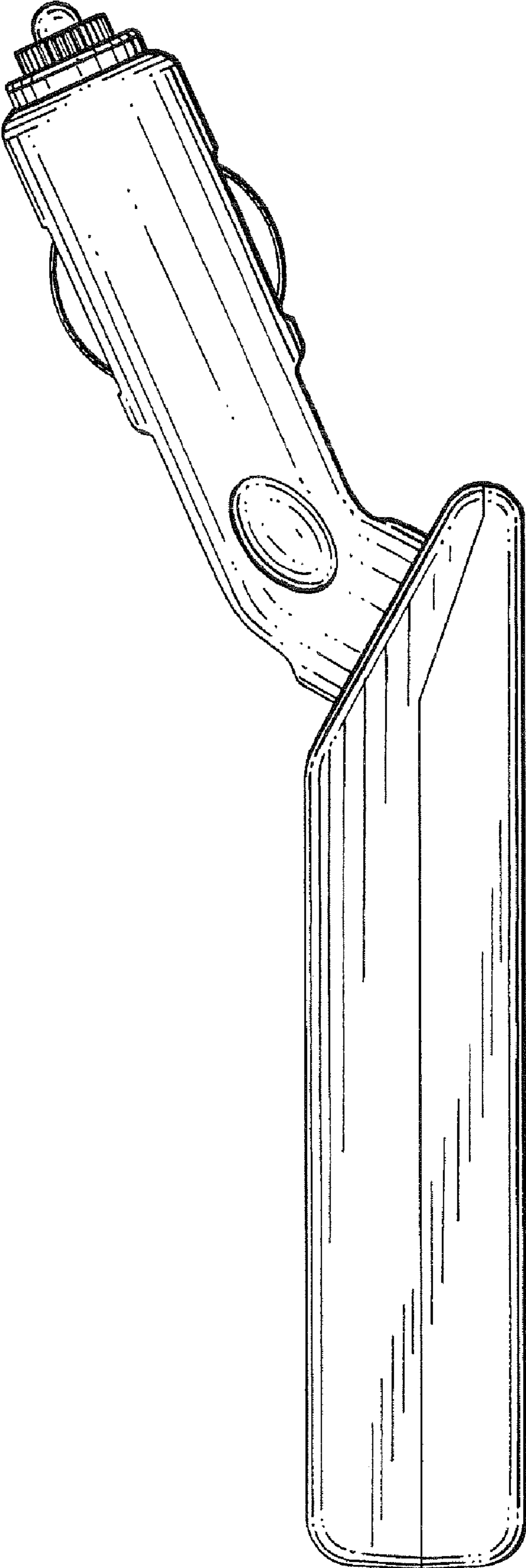


FIG. 6

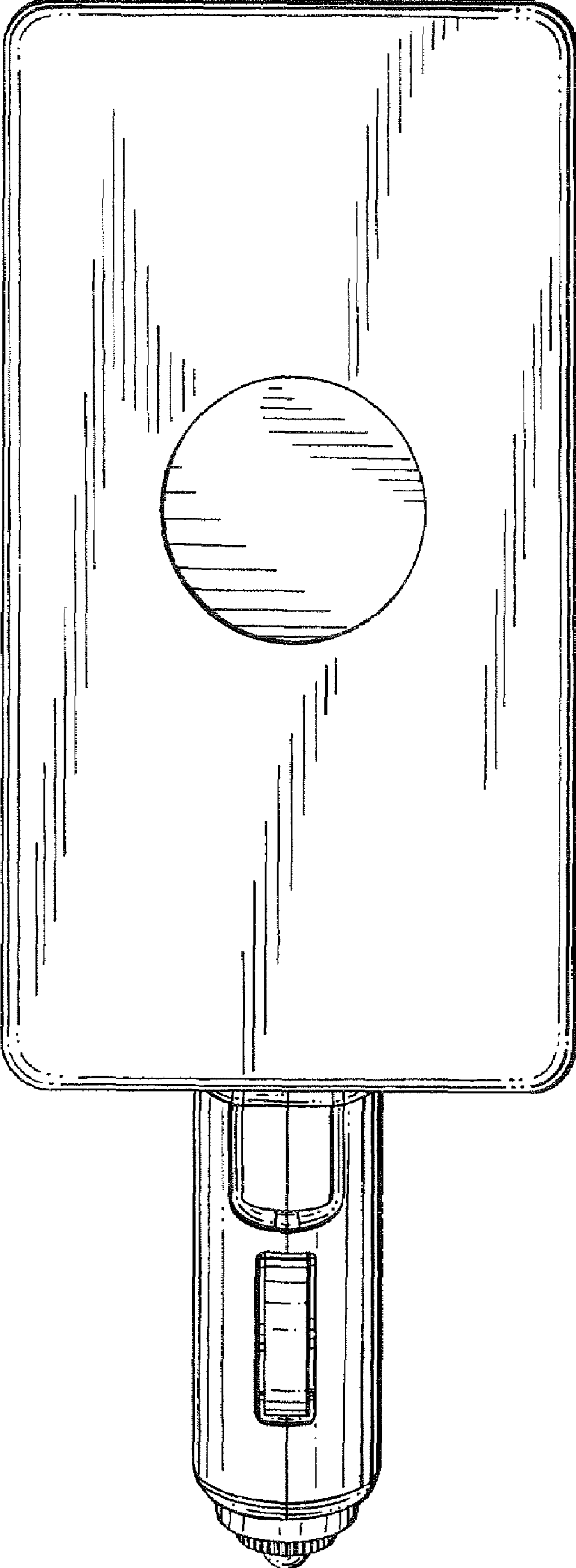


FIG. 7