



US00D594813S

(12) **United States Design Patent**  
**Kramer**

(10) **Patent No.:** **US D594,813 S**  
(45) **Date of Patent:** **\*\* Jun. 23, 2009**

(54) **TRUCK RACK**

(76) Inventor: **Jerry Dixon Kramer**, 3882 The Ascent  
NE., Atlanta, GA (US) 30319

(\*\*) Term: **14 Years**

(21) Appl. No.: **29/323,176**

(22) Filed: **Aug. 20, 2008**

(51) **LOC (9) Cl.** ..... **12-16**

(52) **U.S. Cl.** ..... **D12/412**

(58) **Field of Classification Search** ..... D12/406,  
D12/412, 414, 414.1; 211/162, 182, 175-176,  
211/205-206; 280/756, 727, 769; 296/37.1,  
296/3, 10, 37.6

See application file for complete search history.

(56) **References Cited**

**U.S. PATENT DOCUMENTS**

3,554,416	A *	1/1971	Bott	.....	224/321
5,104,018	A *	4/1992	Dixon	.....	224/321
5,470,003	A *	11/1995	Cucheran	.....	224/316
D434,364	S *	11/2000	Bauer et al.	.....	D12/412
D444,446	S	7/2001	Carter		
6,279,802	B1 *	8/2001	Hickman et al.	.....	224/321
D463,358	S *	9/2002	Thomas	.....	D12/406
D481,003	S *	10/2003	Bauer et al.	.....	D12/412
D529,858	S	10/2006	Kramer		
D542,731	S *	5/2007	Kramer	.....	D12/406
D577,327	S *	9/2008	Jung et al.	.....	D12/412
D578,467	S *	10/2008	Ohanyan	.....	D12/414
2006/0163300	A1 *	7/2006	Kramer	.....	224/405
2008/0264988	A1 *	10/2008	Thomas et al.	.....	224/315

**OTHER PUBLICATIONS**

Hauler Racks Truck Racks, [www.truckaddons.com/catalog/subpages/haulerracks.htm](http://www.truckaddons.com/catalog/subpages/haulerracks.htm), Jan. 17, 2005.

Kargo Master Pro-II Truck Rack, [www.truckaddons.com/Catalog/subpages/kargomastertruck&van.htm](http://www.truckaddons.com/Catalog/subpages/kargomastertruck&van.htm), Jan. 19, 2005.  
Modular System One Ladder Rack, [www.americanvan.com/catalog/standard\\_wide\\_slidedrawer.cfm?FamilyID=98](http://www.americanvan.com/catalog/standard_wide_slidedrawer.cfm?FamilyID=98), Jan. 19, 2005.  
Mirage Truck Rack, [www.altech.ab.ca/jembrack](http://www.altech.ab.ca/jembrack), Mar. 14, 2005.  
Truck Tool (SM) Contractor's Rack, [www.jcwhitney.com/autoparts/ProductDisplay/s-10101/p-7190/c-10101](http://www.jcwhitney.com/autoparts/ProductDisplay/s-10101/p-7190/c-10101), Feb. 22, 2005.  
JR's Truck Accessories, Dec. 27, 2004.  
Heavy Duty pick-up truck rack, [www.americanvan.com/catalog/standard\\_dynamic\\_wrap.cfm?FamilyID=251](http://www.americanvan.com/catalog/standard_dynamic_wrap.cfm?FamilyID=251), Dec. 4, 2004.  
Some typical existing truck rack designs (Oct. 19, 2004).

\* cited by examiner

*Primary Examiner*—Elizabeth A Albert  
*Assistant Examiner*—Kelly A Donnelly  
(74) *Attorney, Agent, or Firm*—Baker Donelson Bearman Caldwell & Berkowitz, PC

(57) **CLAIM**

The ornamental design for a truck rack, as shown and described.

**DESCRIPTION**

FIG. 1 is a front right perspective view of a truck rack showing my new design.

FIG. 2 is a left side elevational view thereof, the right side elevational view being a mirror image;

FIG. 3 is a top plan view thereof;

FIG. 4 is a bottom plan view thereof;

FIG. 5 is a back elevational view thereof;

FIG. 6 is a sectional view thereof taken on line 6—6 of FIG. 3; and,

FIG. 7 is a front elevational view thereof.

The broken lines showing a truck in FIG. 1 are for environmental purposes only and form no part of the claimed design.

**1 Claim, 3 Drawing Sheets**

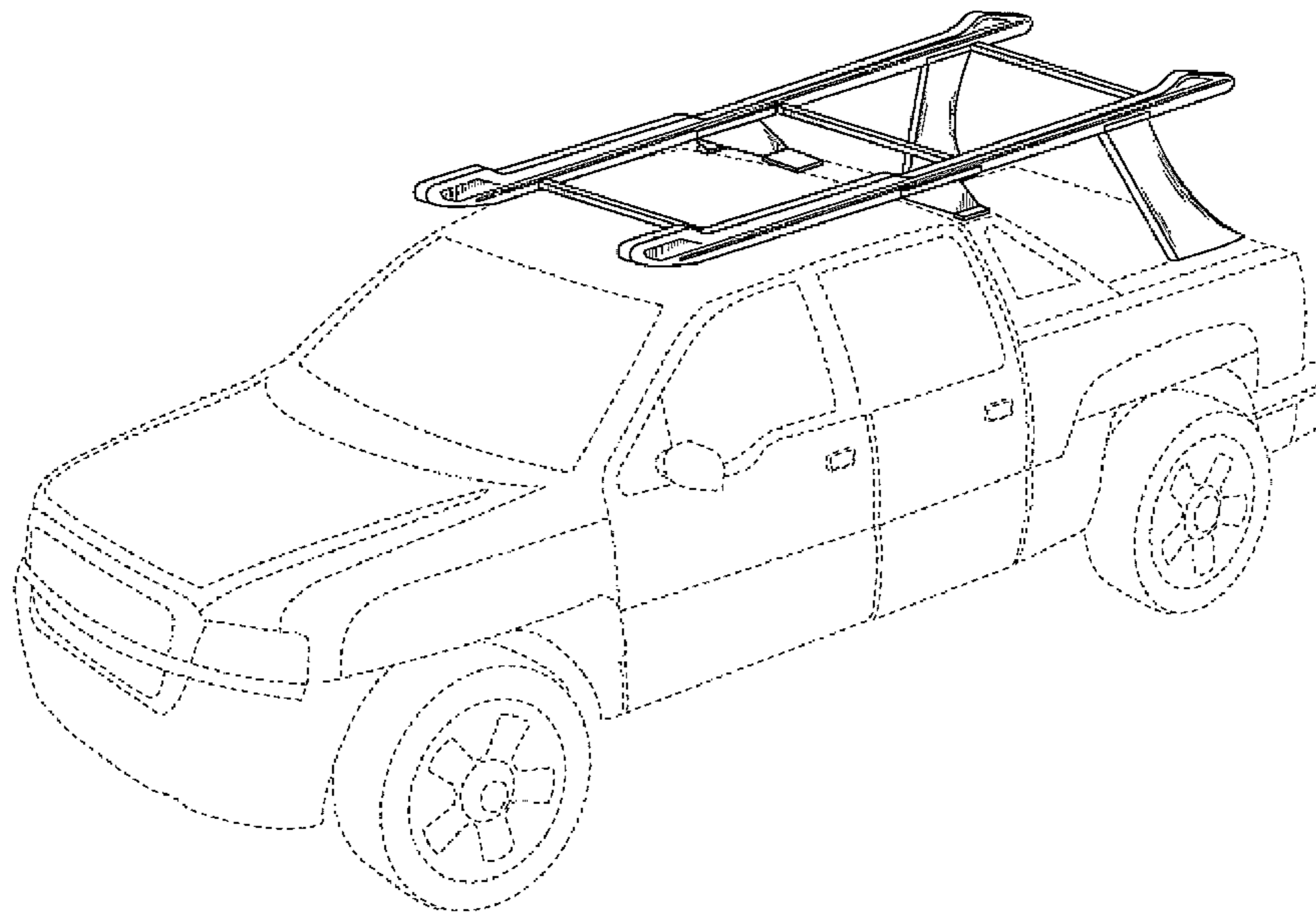


Fig. 1

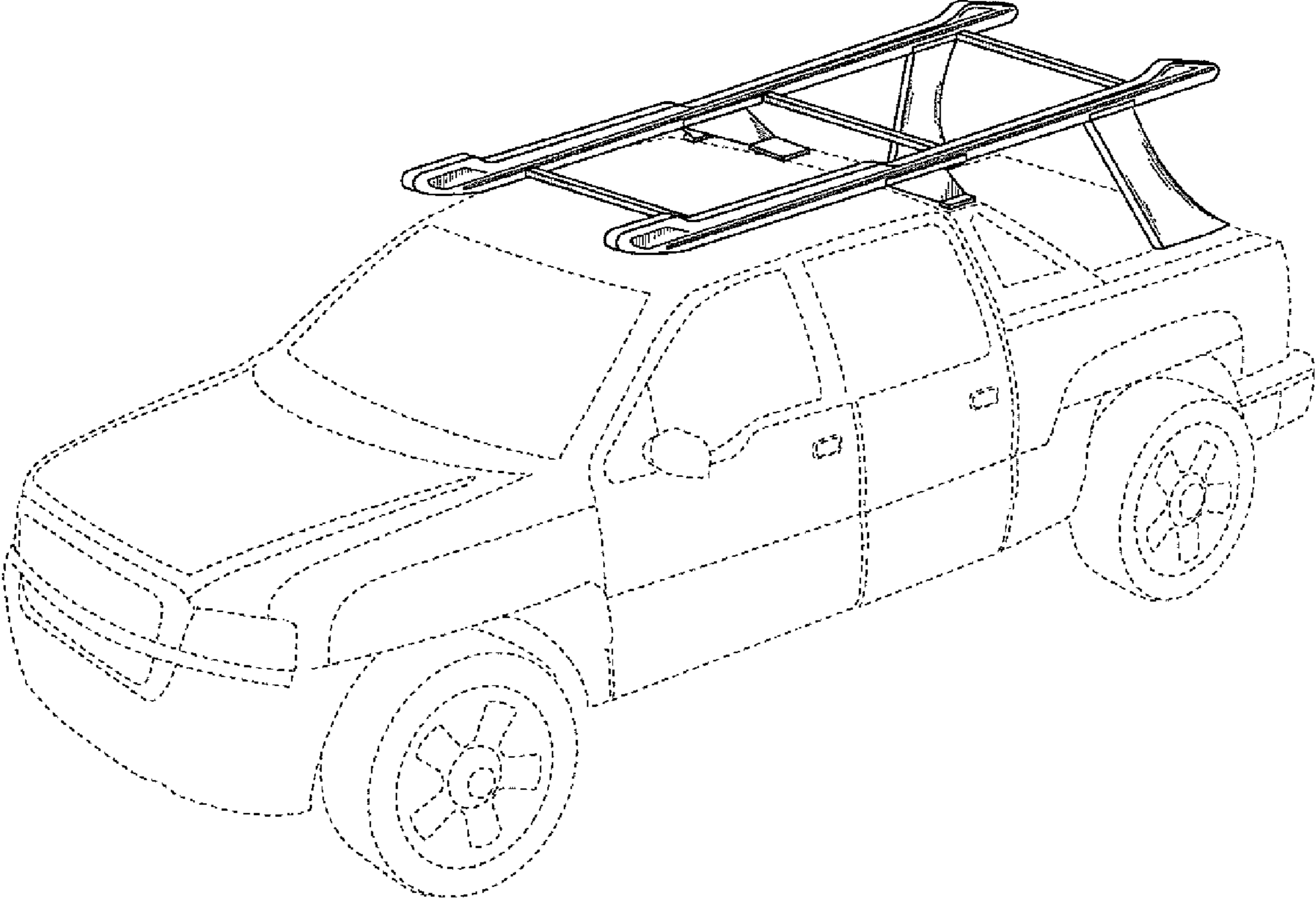


Fig. 2

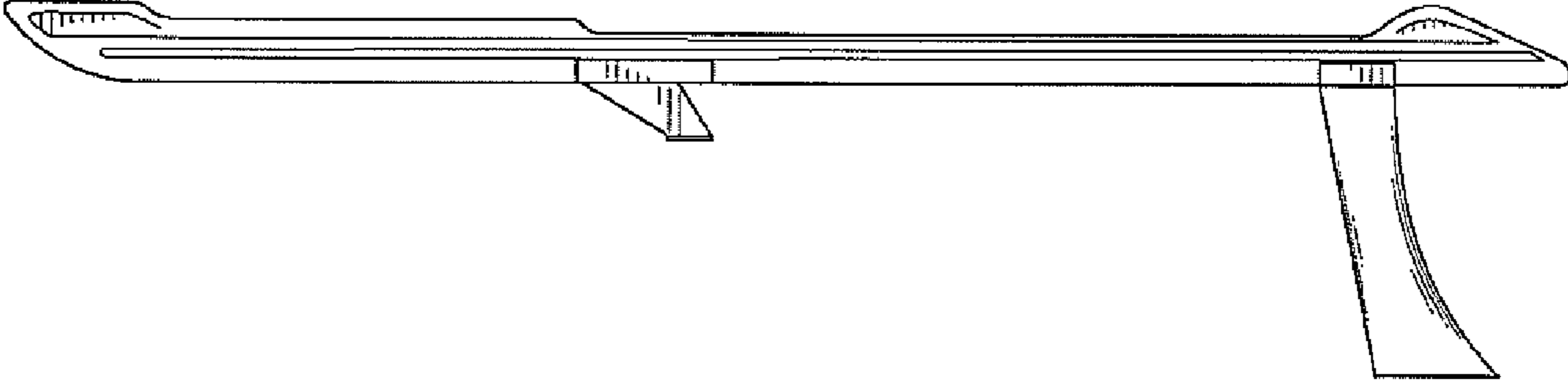


Fig. 4

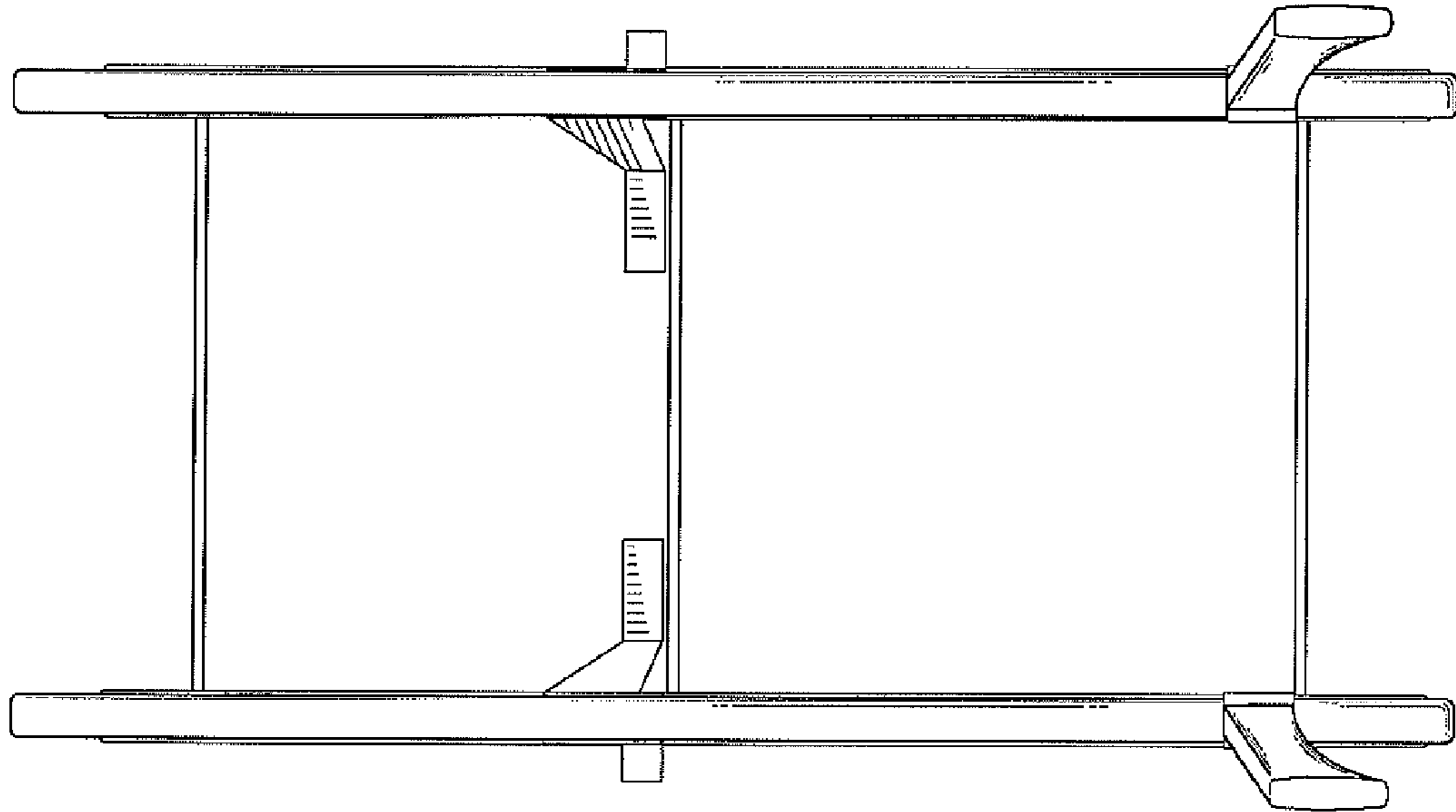


Fig. 3

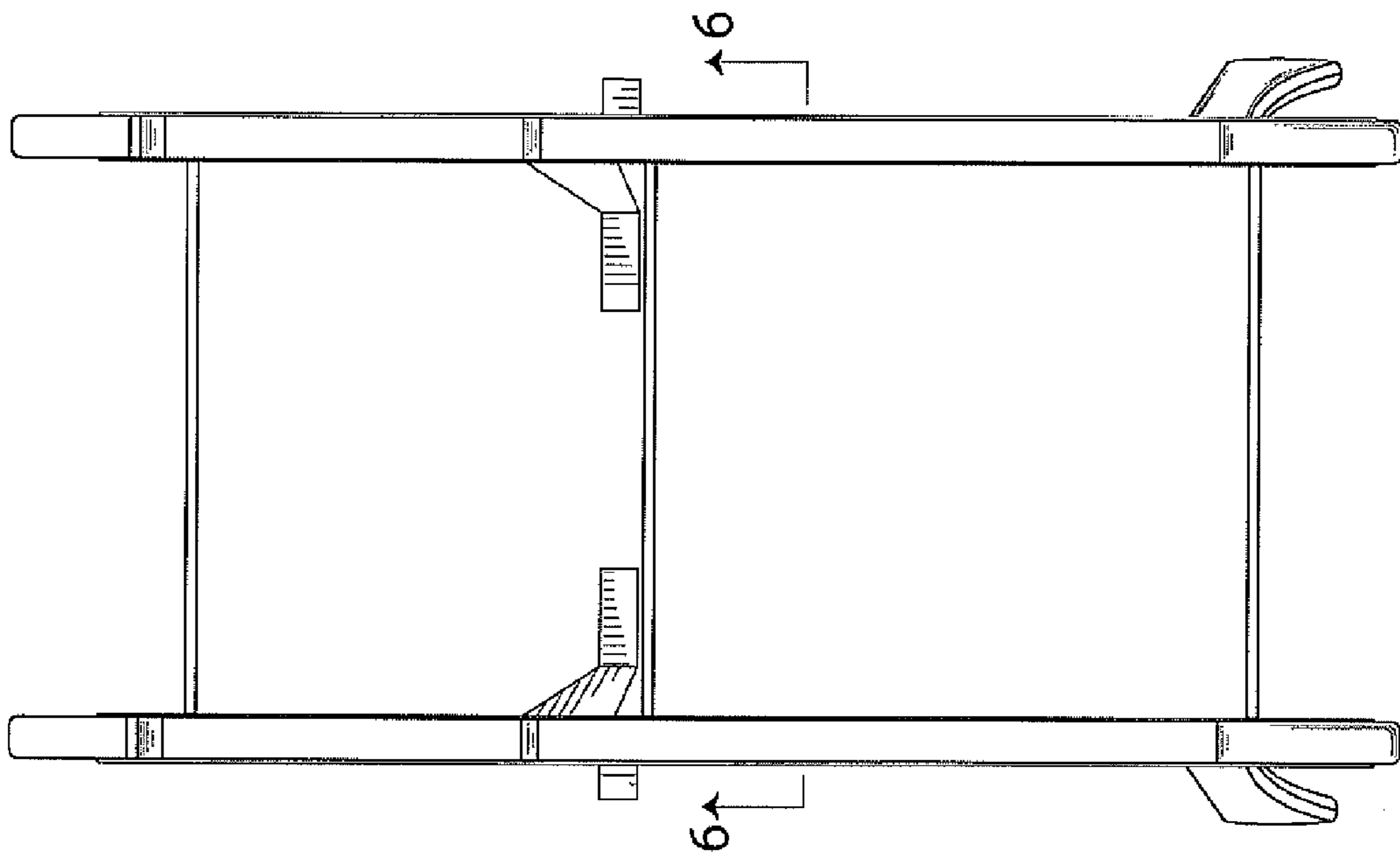


Fig. 5

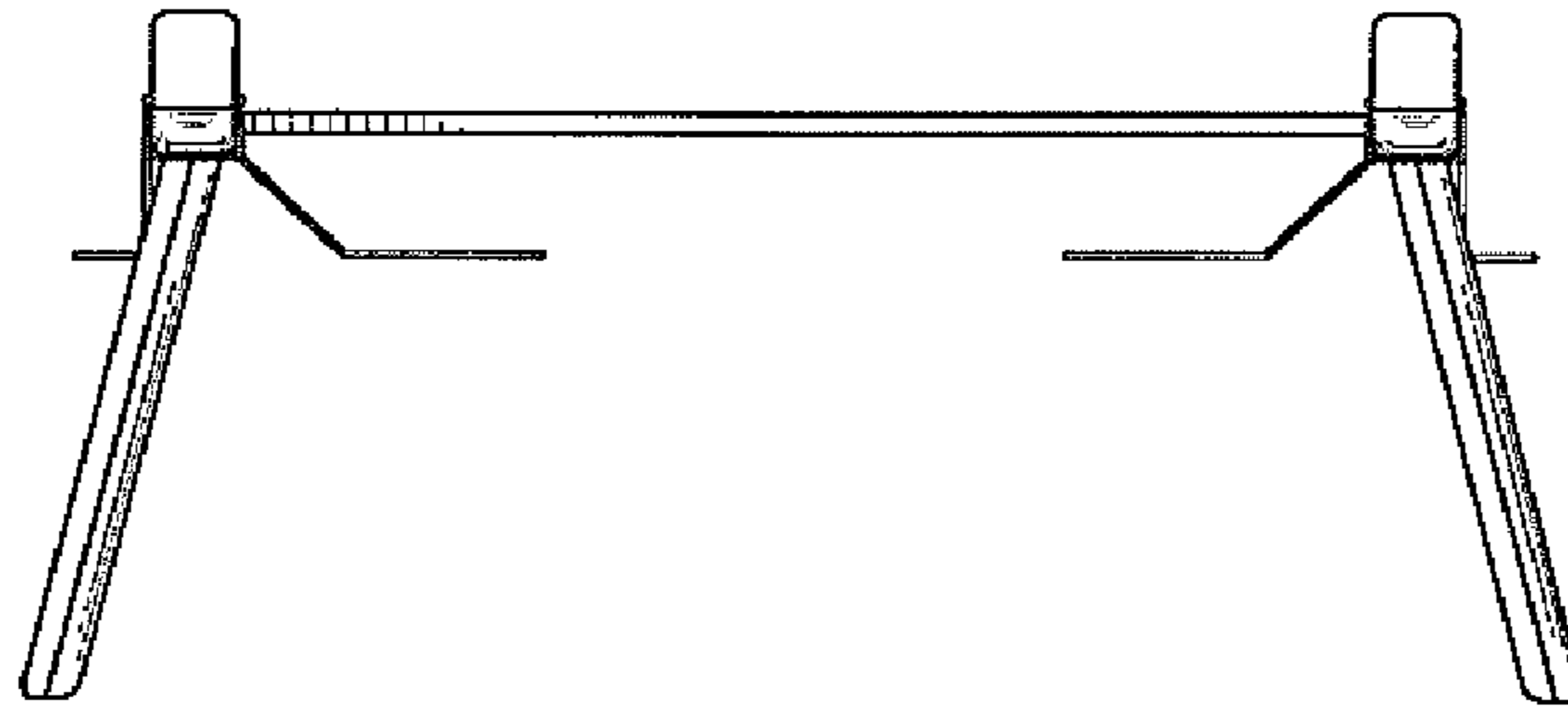


Fig. 6

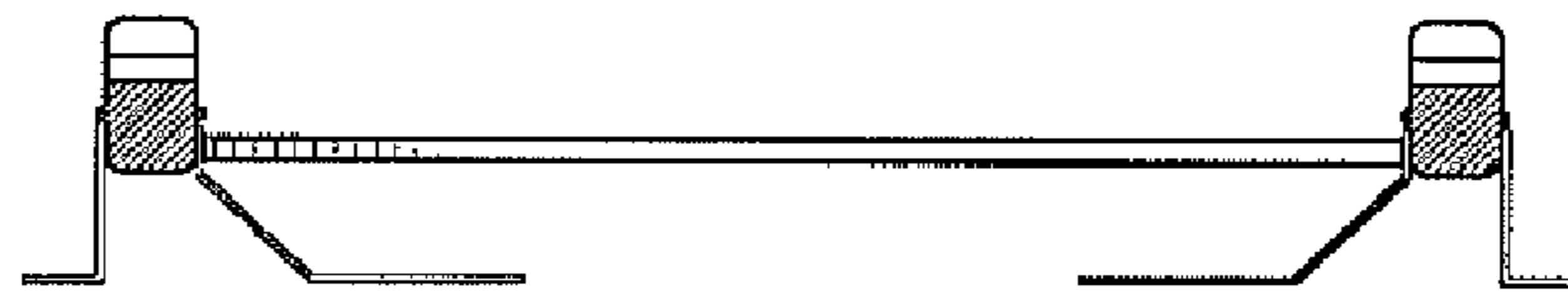


Fig. 7

