



US00D594808S

(12) **United States Design Patent**
Cazals

(10) **Patent No.:** **US D594,808 S**
(45) **Date of Patent:** **** Jun. 23, 2009**

- (54) **AIRCRAFT TAIL**
- (75) Inventor: **Olivier Cazals**, Daux (FR)
- (73) Assignee: **Airbus France SAS**, Toulouse Cedex (FR)
- (**) Term: **14 Years**
- (21) Appl. No.: **29/305,899**
- (22) Filed: **Mar. 29, 2008**
- (51) **LOC (9) Cl.** **12-07**
- (52) **U.S. Cl.** **D12/345**
- (58) **Field of Classification Search** D12/319, D12/326-329, 333, 337, 340-345; D21/447-448, D21/450; 244/4 R, 5, 6, 7 R, 7 A, 7 B, 7 C, 244/21, 117 R, 119, 123.1, 129.1, 130
See application file for complete search history.

(56) **References Cited**

U.S. PATENT DOCUMENTS

- 5,526,999 A * 6/1996 Meston 244/2
- D541,207 S * 4/2007 Seidel D12/343
- D581,342 S * 11/2008 Cazals D12/345
- D581,343 S * 11/2008 Cazals D12/345

OTHER PUBLICATIONS

- U.S. Appl. No. 29/306,053; Title: Elements of an Aircraft Tail, filed Apr. 1, 2008.
- U.S. Appl. No. 29/306,060; Title: Elements of an Aircraft Tail, filed Apr. 1, 2008.
- U.S. Appl. No. 29/306,062; Title: Elements of an Aircraft Body, filed Apr. 1, 2008.
- U.S. Appl. No. 29/306,066; Title: Elements of an Aircraft Tail, filed Apr. 1, 2008.
- U.S. Appl. No. 29/306,067; Title: Elements of an Aircraft Tail, filed Apr. 1, 2008.
- U.S. Appl. No. 29/306,068; Title: Elements of an Aircraft Tail, filed Apr. 1, 2008.
- U.S. Appl. No. 29/306,078; Title: Elements of an Aircraft Tail, filed Apr. 1, 2008.
- U.S. Appl. No. 29/306,079; Title: Elements of an Aircraft Tail, filed Apr. 1, 2008.
- U.S. Appl. No. 29/306,412; Title: Elements of an Aircraft Tail, filed Apr. 9, 2008.

- U.S. Appl. No. 29/306,405; Title: Elements of an Aircraft Tail, filed Apr. 9, 2008.
- U.S. Appl. No. 29/306,406; Title: Elements of an Aircraft Tail, filed Apr. 9, 2008.
- U.S. Appl. No. 29/306,407; Title: Elements of an Aircraft Tail, filed Apr. 9, 2008.
- U.S. Appl. No. 29/306,408; Title: Elements of an Aircraft Tail, filed Apr. 9, 2008.
- U.S. Appl. No. 29/306,409; Title: Elements of an Aircraft Tail, filed Apr. 9, 2008.
- U.S. Appl. No. 29/306,410; Title: Elements of an Aircraft Tail, filed Apr. 9, 2008.

* cited by examiner

Primary Examiner—Ian Simmons
Assistant Examiner—Dana L Sipos
(74) *Attorney, Agent, or Firm*—Osler, Hoskin & Harcourt LLP

(57) **CLAIM**

I claim the ornamental design for an aircraft tail, as shown and described.

DESCRIPTION

FIG. 1 is a partial top, front, right side perspective view of an aircraft tail according to my new design

FIG. 2 is a partial top, rear, left side perspective view thereof;

FIG. 3 is a top, front, right side perspective view of the aircraft tail of FIG. 1;

FIG. 4 is a rear elevation view thereof;

FIG. 5 is a top plan view thereof;

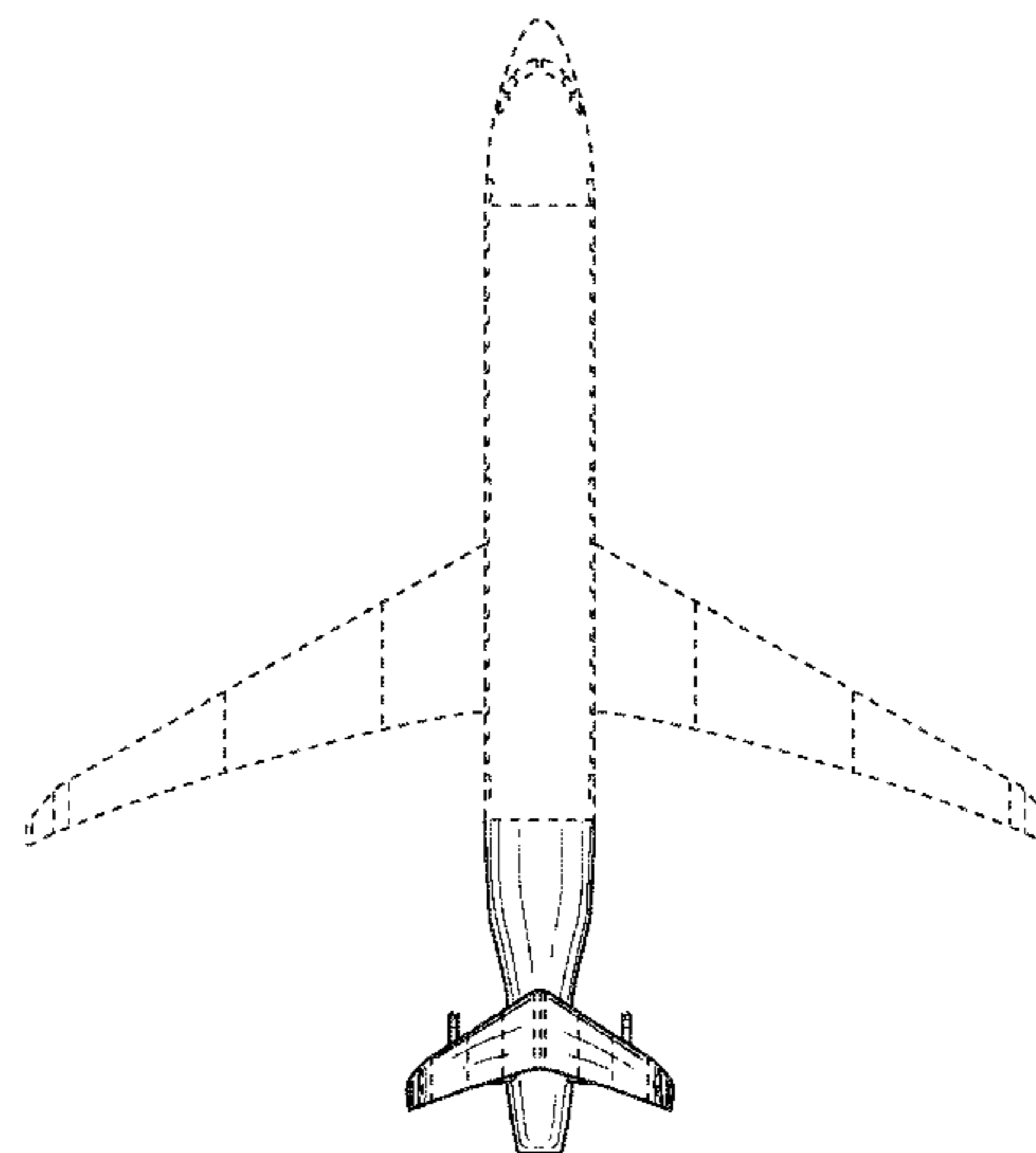
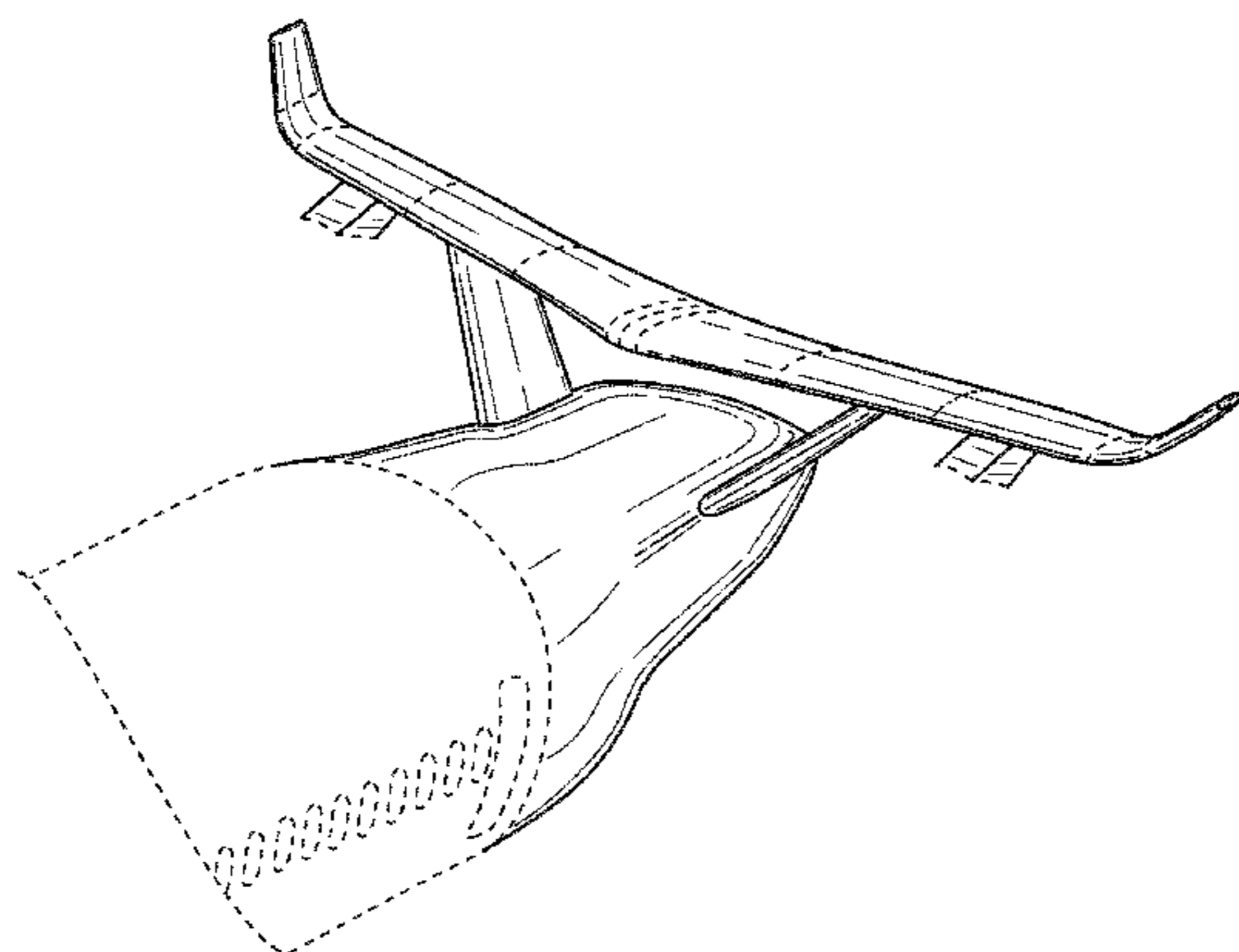
FIG. 6 is a bottom plan view thereof;

FIG. 7 is a left side elevation view thereof, the right side elevation view being a mirror image; and,

FIG. 8 is a top, front, right side perspective view thereof, showing unclaimed engines in place.

Throughout the Figures, broken lines showing environment or structure are for illustrative purposes only and form no part of the claimed design.

1 Claim, 8 Drawing Sheets



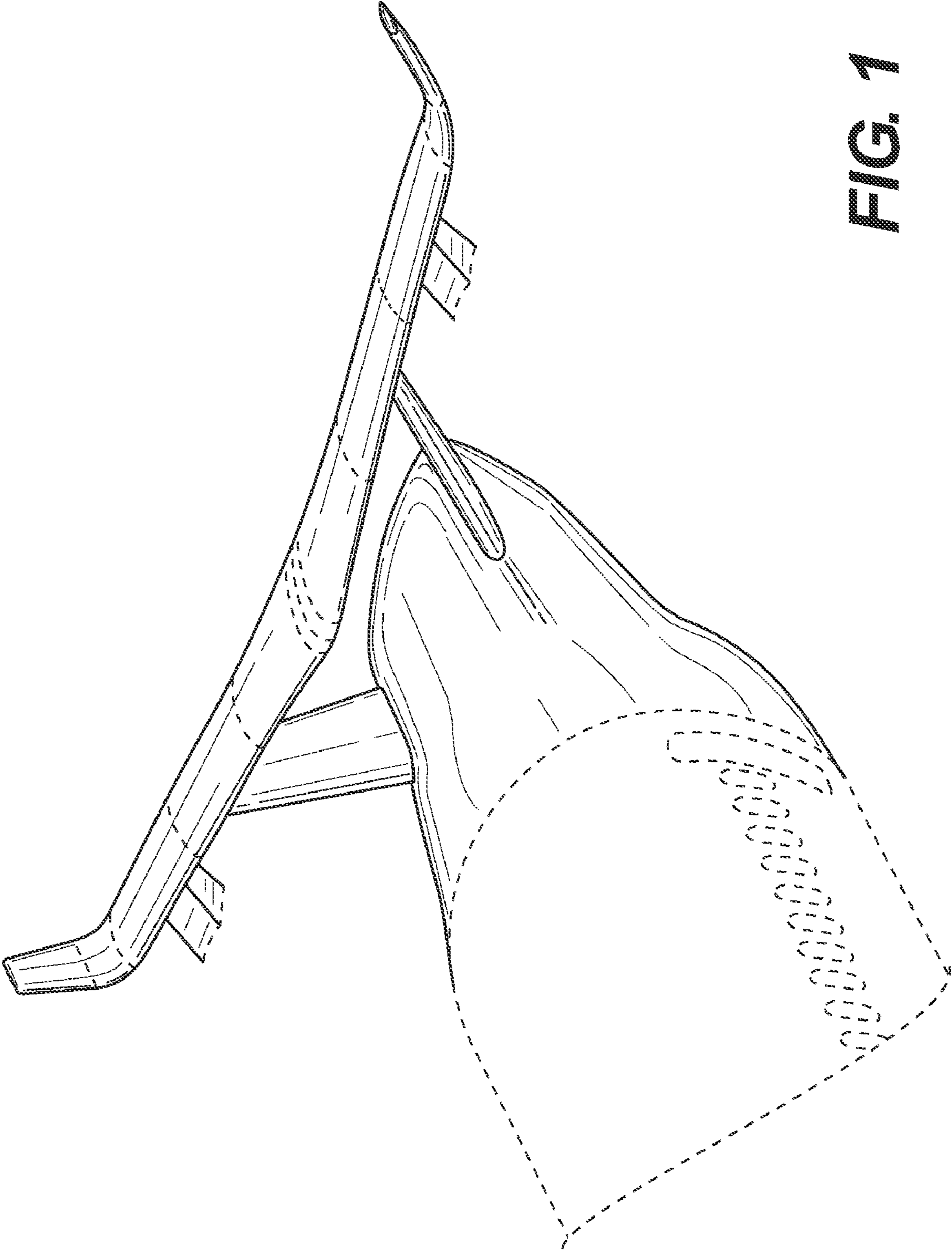


FIG. 1

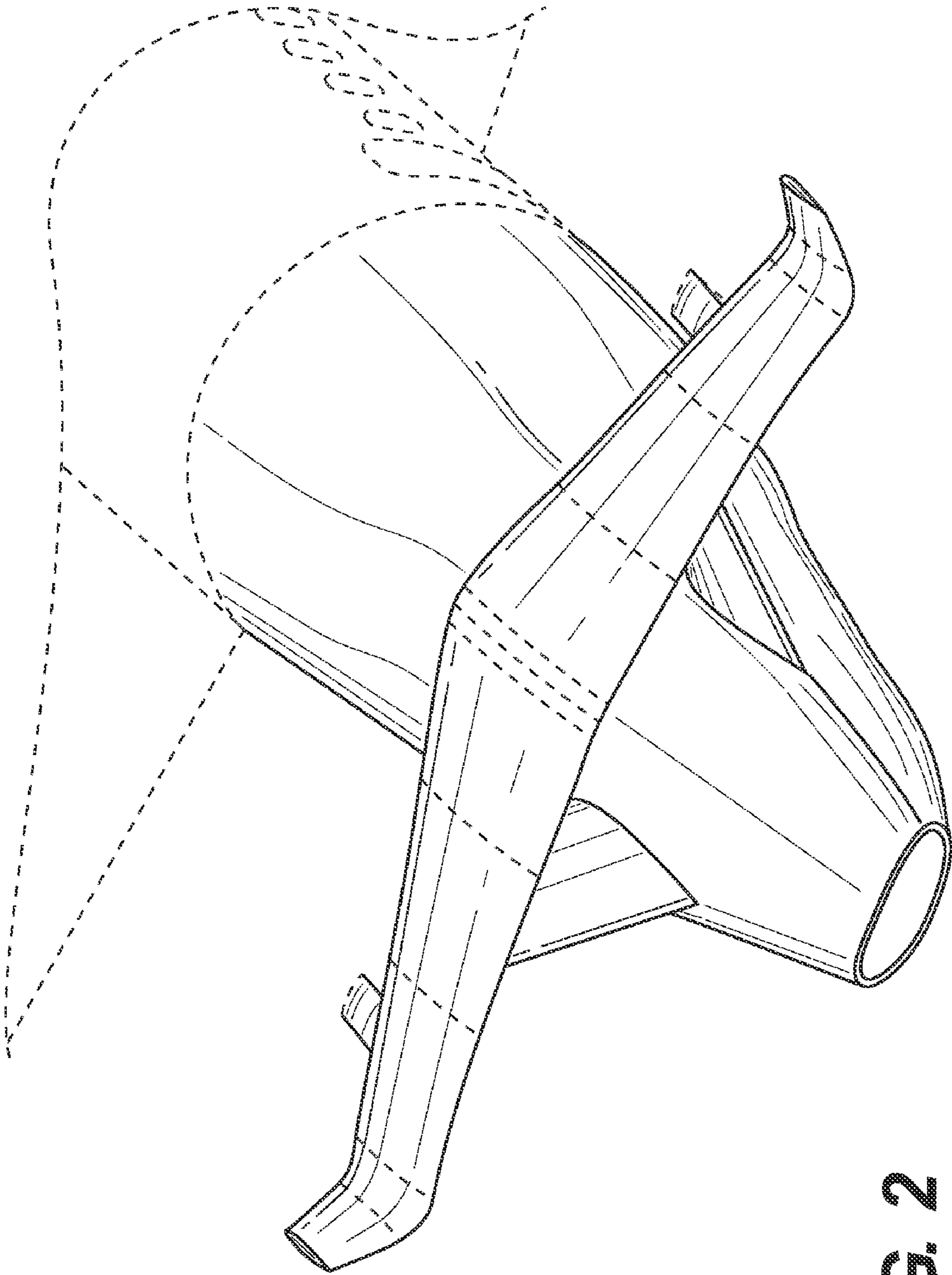


FIG. 2

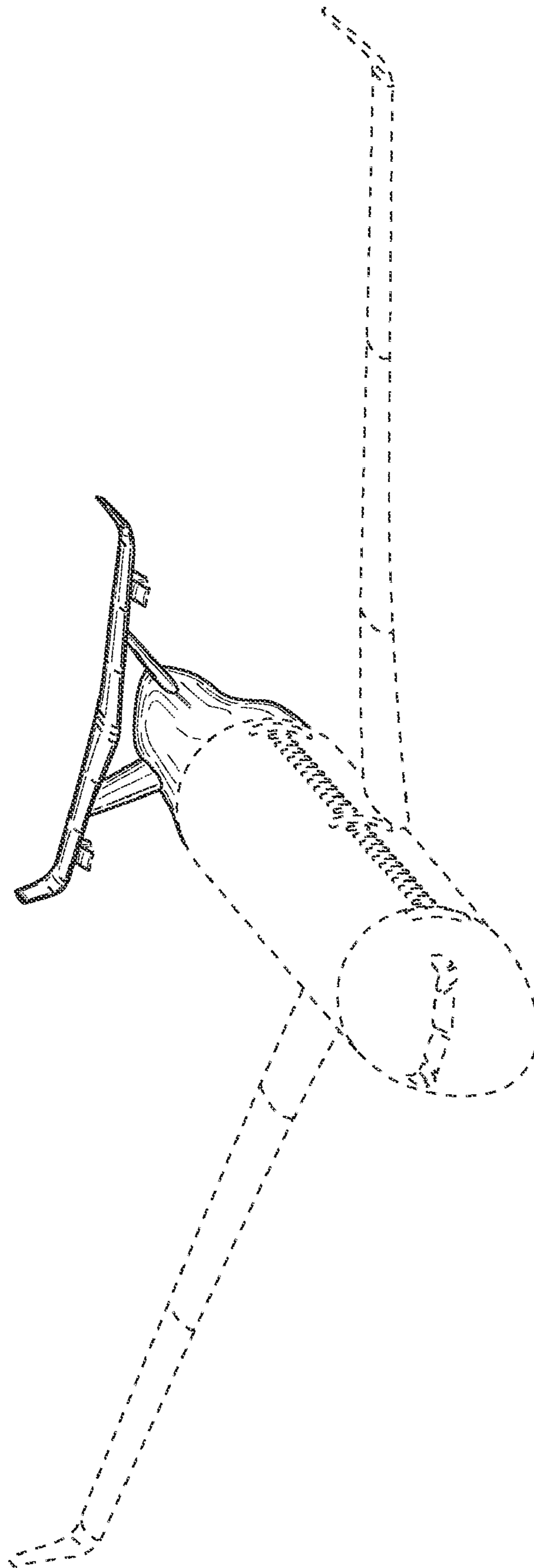


FIG. 3

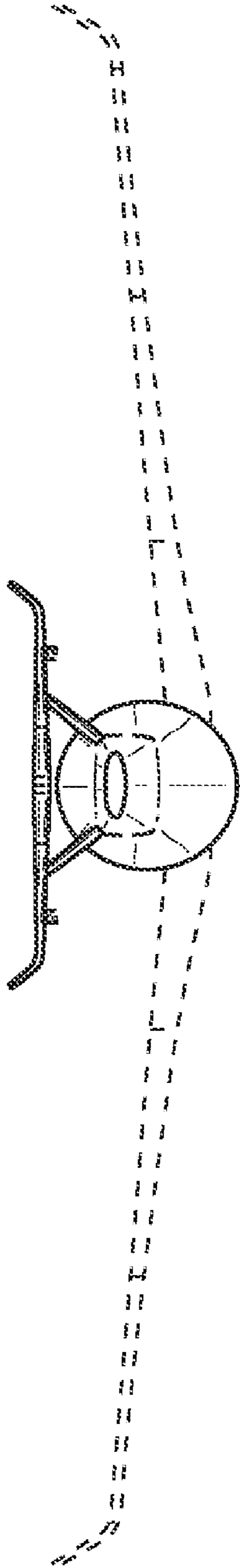


FIG. 4

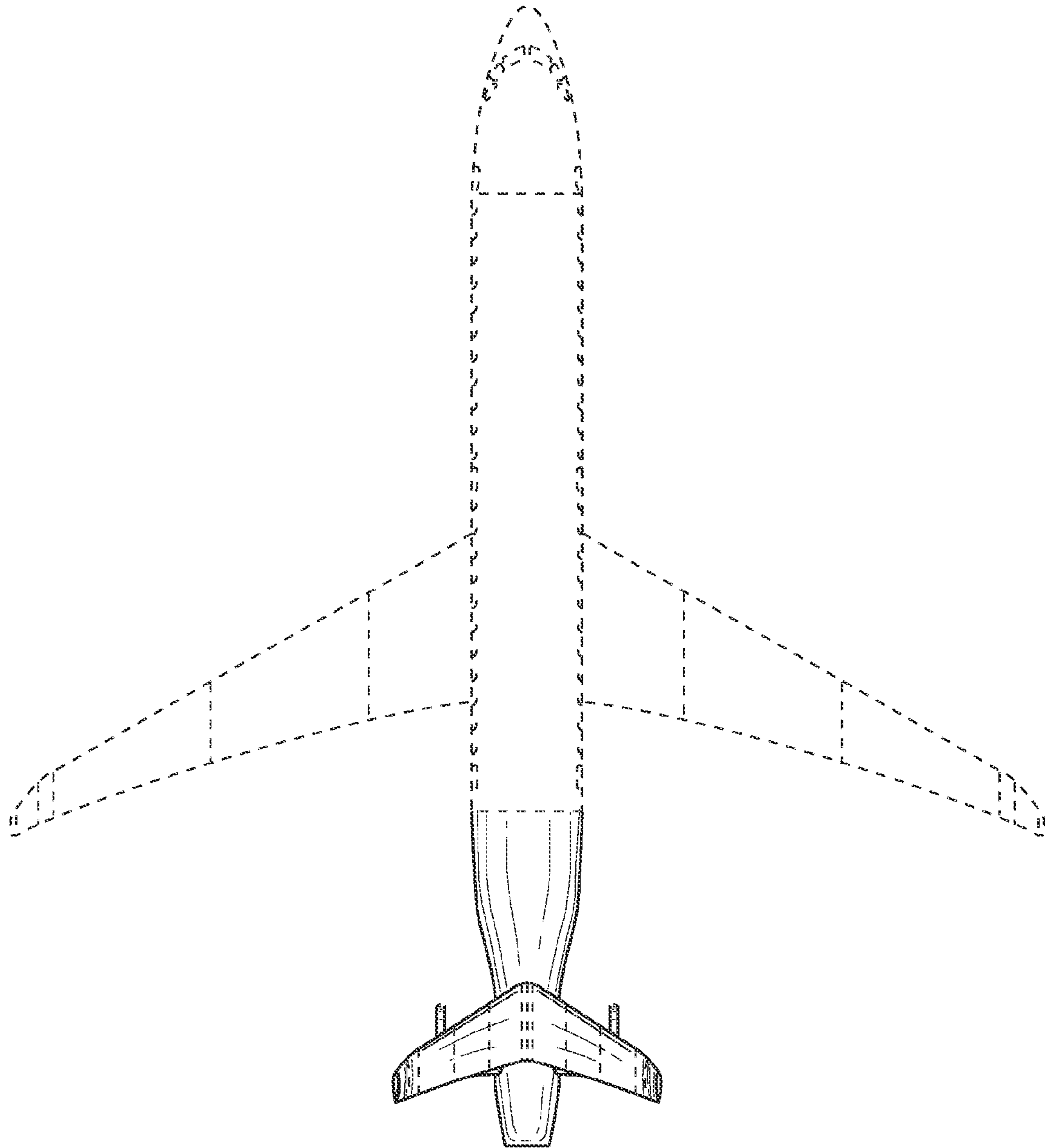


FIG. 5

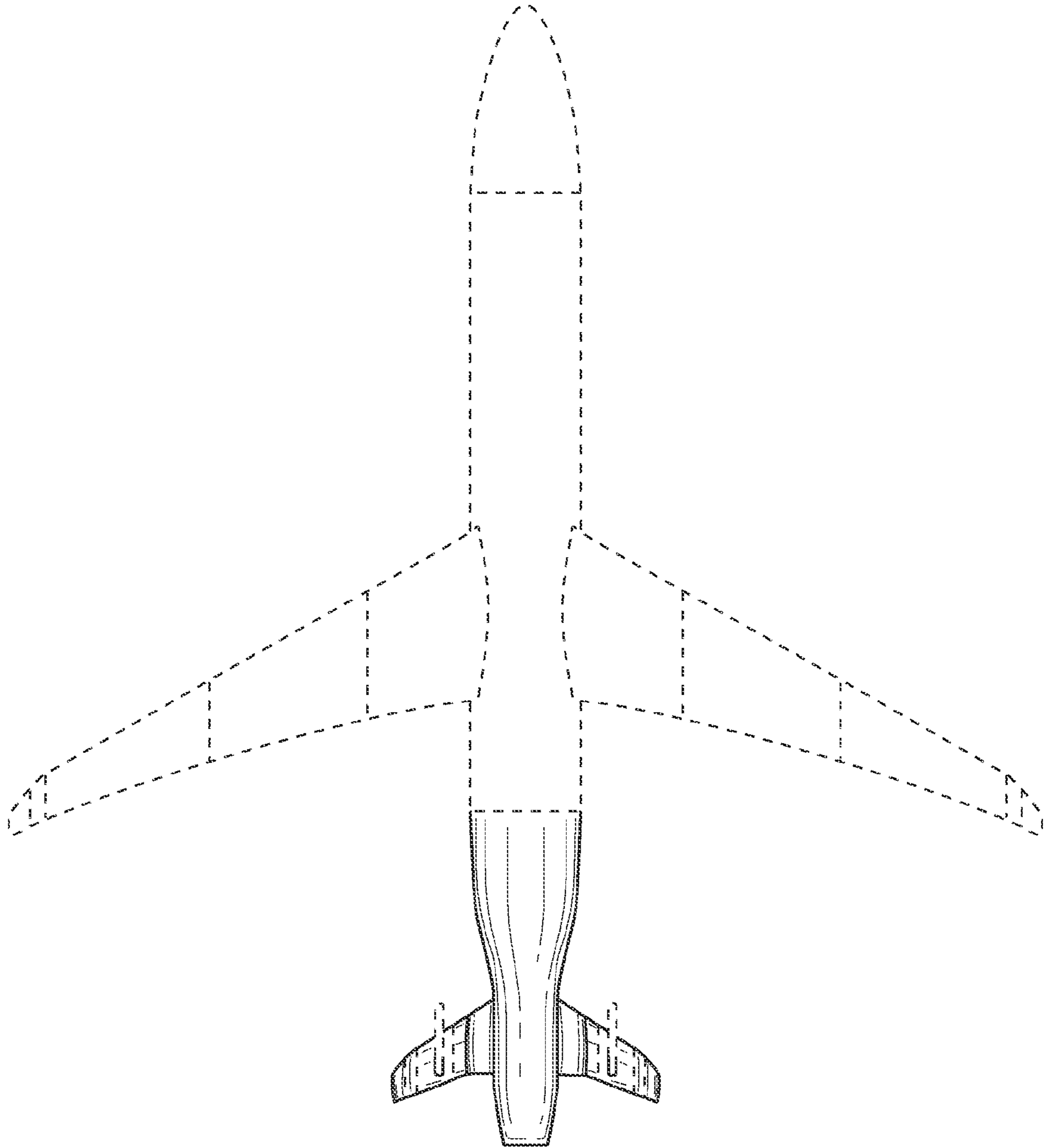


FIG. 6

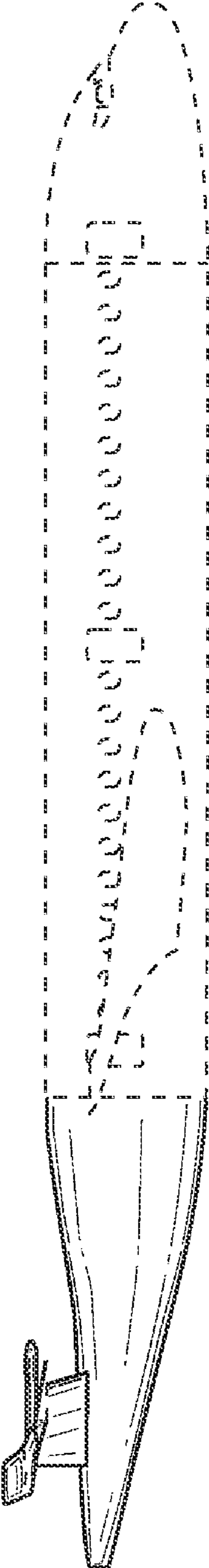


FIG. 7

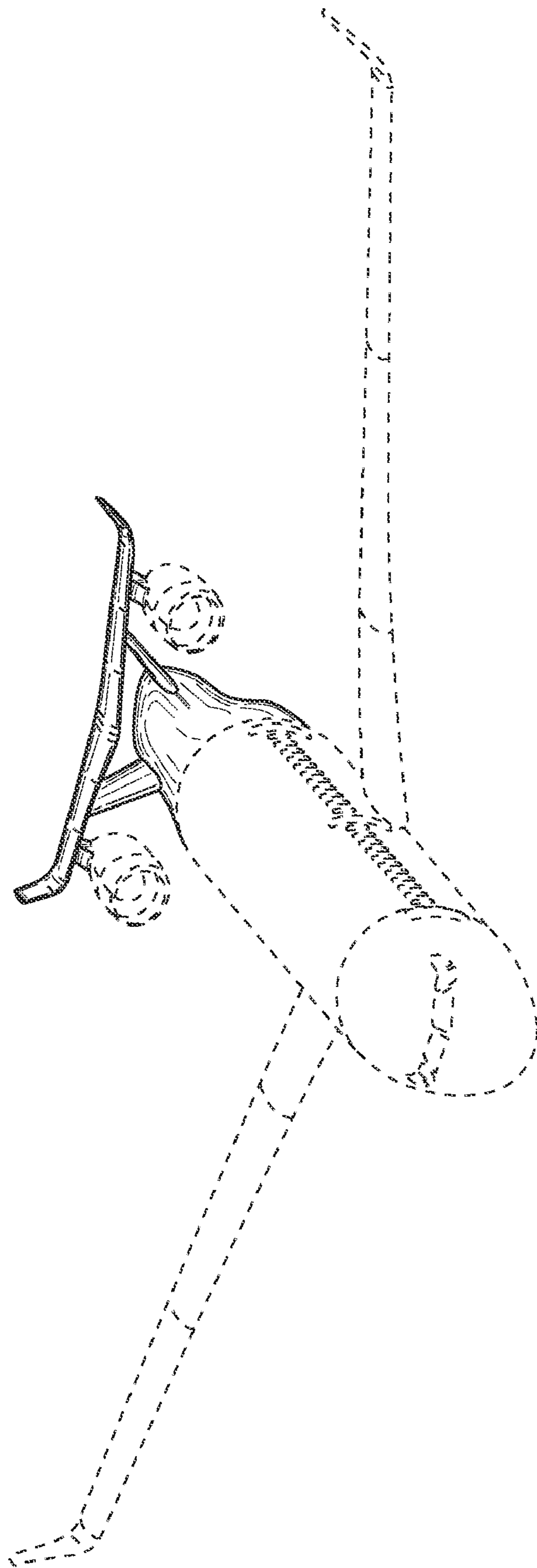


FIG. 8