

US00D594805S

(12) **United States Design Patent**  
**Kim**

(10) **Patent No.:** **US D594,805 S**  
(45) **Date of Patent:** **\*\* Jun. 23, 2009**

(54) **WINDSHIELD WIPER BLADE**

(76) Inventor: **In-Kyu Kim**, Sunkyung A.P.T. 15-1505,  
Seongpo-dong, Sangrok-gu, Ansan-si,  
Gyeonggi-do (KR)

(\*\*) Term: **14 Years**

(21) Appl. No.: **29/324,268**

(22) Filed: **Sep. 9, 2008**

(30) **Foreign Application Priority Data**

May 7, 2008 (KR) ..... 30-2008-0019127

(51) **LOC (9) Cl.** ..... **12-16**

(52) **U.S. Cl.** ..... **D12/219**

(58) **Field of Classification Search** ..... D12/219-220;  
15/250.001, 250.4, 250.361, 250.19, 250.48,  
15/250.03, 250.31-250.33, 250.351, 250.38,  
15/250.201, 250.451, 250.458, 250.04, 250.07,  
15/250.44

See application file for complete search history.

(56) **References Cited**

**U.S. PATENT DOCUMENTS**

D329,034	S	*	9/1992	Charet et al.	.....	D12/219
D347,610	S	*	6/1994	Charet et al.	.....	D12/219
D370,653	S	*	6/1996	Kim	.....	D12/219
D372,012	S	*	7/1996	Fitzgerald et al.	.....	D12/219
D378,365	S	*	3/1997	Fitzgerald et al.	.....	D12/219
D398,281	S	*	9/1998	Juran et al.	.....	D12/219
D414,456	S	*	9/1999	Hussaini et al.	.....	D12/219
D442,537	S	*	5/2001	Kim	.....	D12/219
D464,012	S	*	10/2002	Hussaini et al.	.....	D12/219
D472,510	S	*	4/2003	Lin	.....	D12/219
D487,047	S	*	2/2004	Kim	.....	D12/219
D490,763	S	*	6/2004	Kim	.....	D12/219
6,859,971	B2	*	3/2005	Siklosi	.....	15/250.001
D565,494	S		4/2008	Kim		

**FOREIGN PATENT DOCUMENTS**

CA 119152 1/2007

CA	119153	1/2007
CA	119156	1/2007
KR	2020060032419	10/2006
KR	2020070003864	3/2007
KR	3020070049552	11/2007
KR	3020070049553	11/2007
KR	3020080006130	2/2008
KR	3020080006131	2/2008
KR	3020080014215	4/2008
KR	3020080019126	4/2008
KR	3020080019129	4/2008
KR	300080022520	5/2008

\* cited by examiner

*Primary Examiner*—Caron Veynar

*Assistant Examiner*—Katrina A Kile

(74) *Attorney, Agent, or Firm*—Amster, Rothstein & Ebenstein LLP

(57) **CLAIM**

The ornamental design for a windshield wiper blade, as shown and described.

**DESCRIPTION**

FIG. 1 is a perspective view of a windshield wiper blade showing my new design;

FIG. 2 is a front view thereof;

FIG. 3 is a rear view thereof;

FIG. 4 is an enlarged left side view thereof;

FIG. 5 is an enlarged right side view thereof;

FIG. 6 is a top plan view thereof;

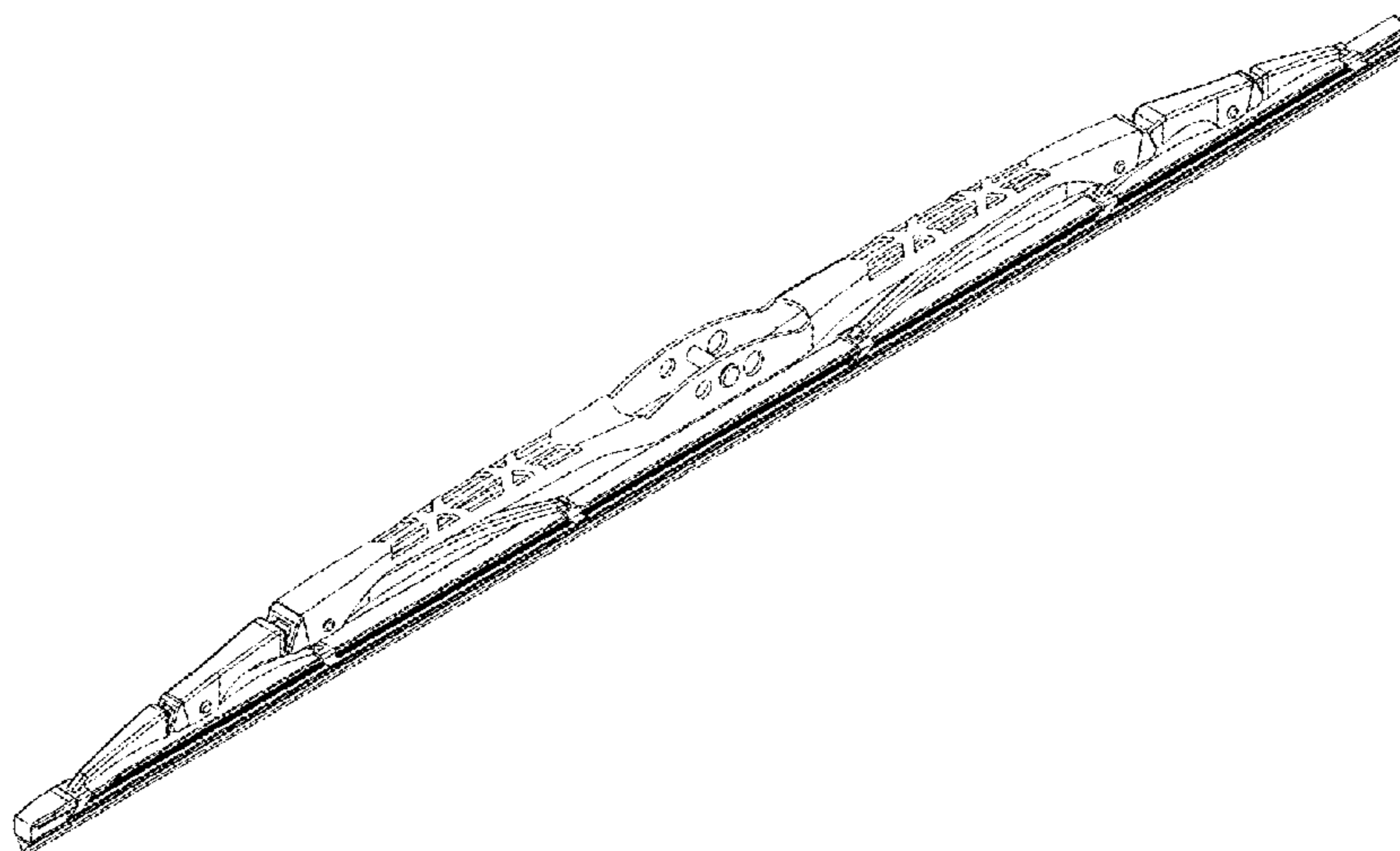
FIG. 7 is a bottom plan view thereof;

FIG. 8 is a perspective view thereof;

FIG. 9 is a perspective view thereof; and,

FIG. 10 is a perspective view thereof.

**1 Claim, 10 Drawing Sheets**



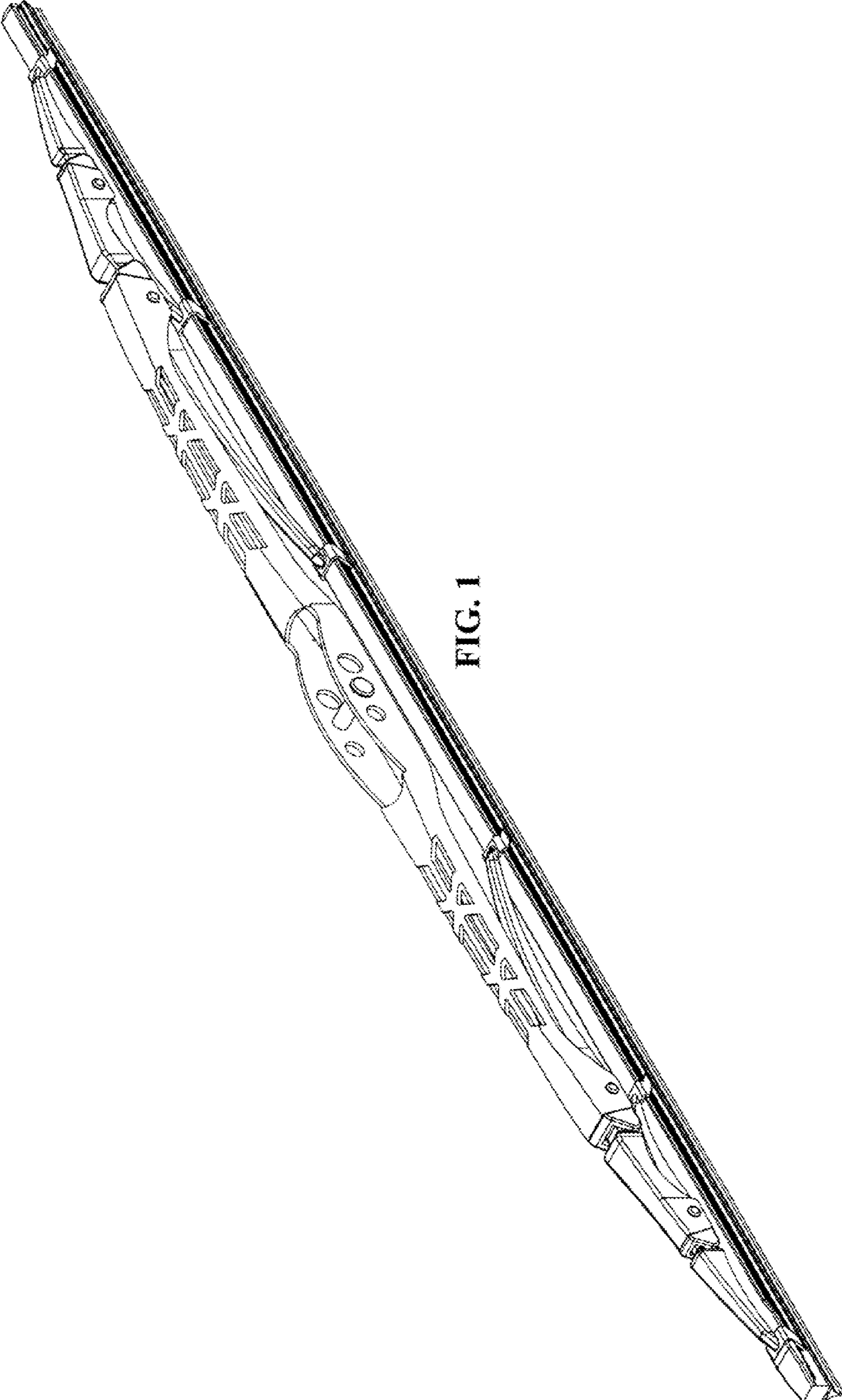


FIG. 1

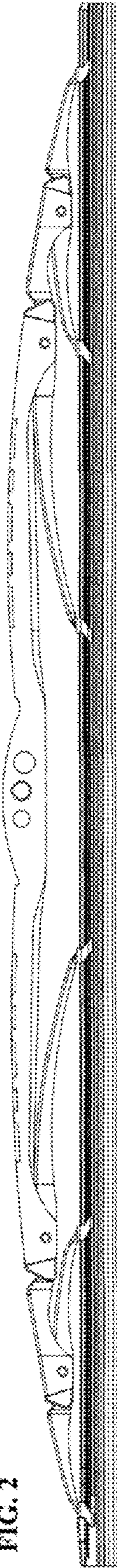


FIG. 2

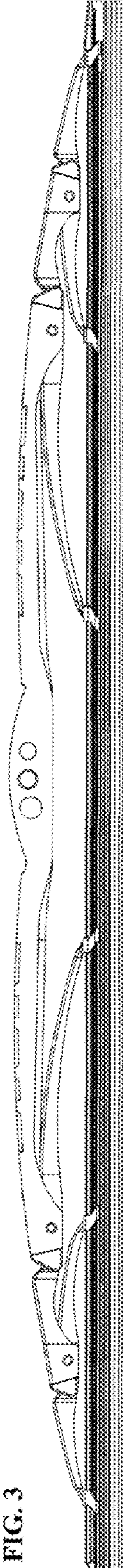
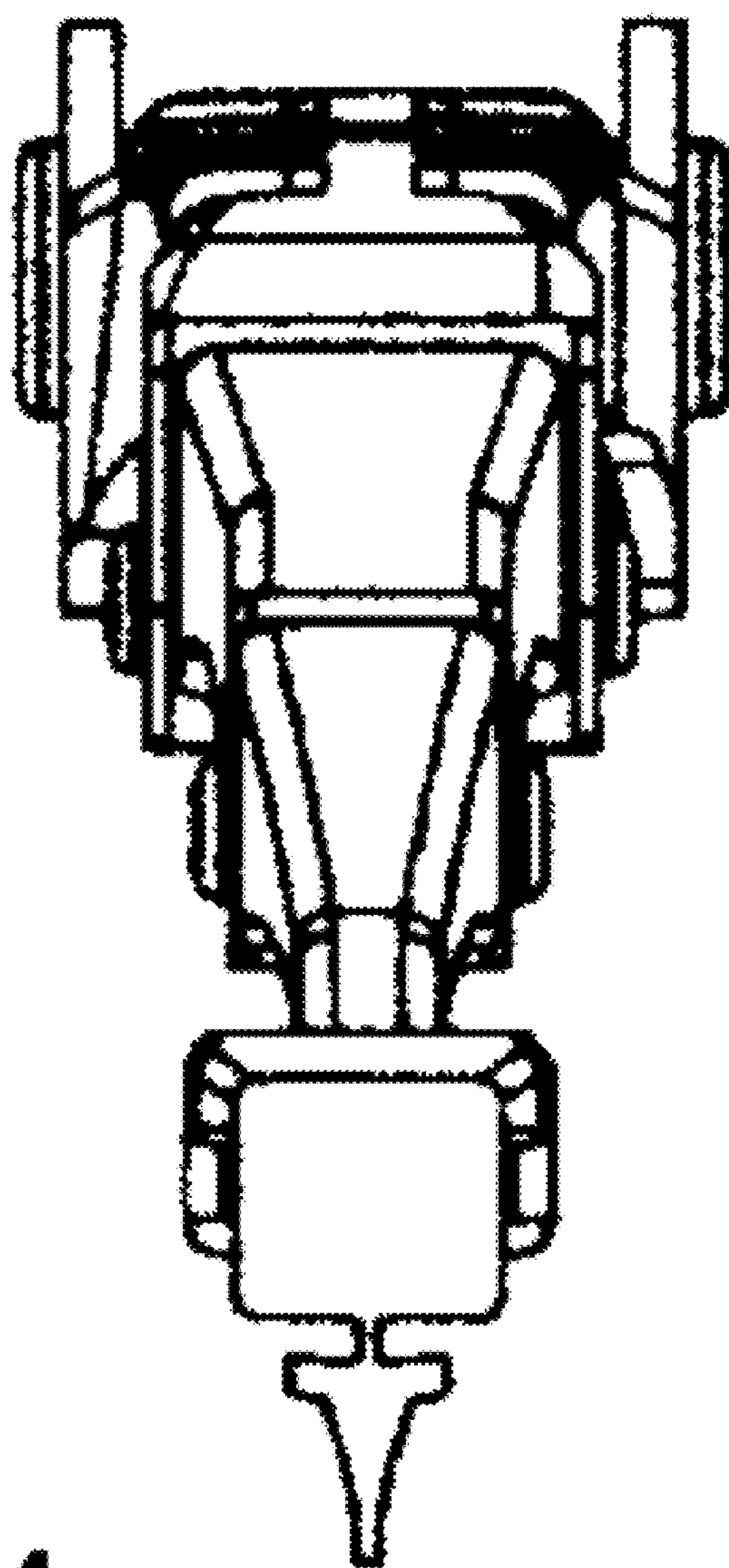
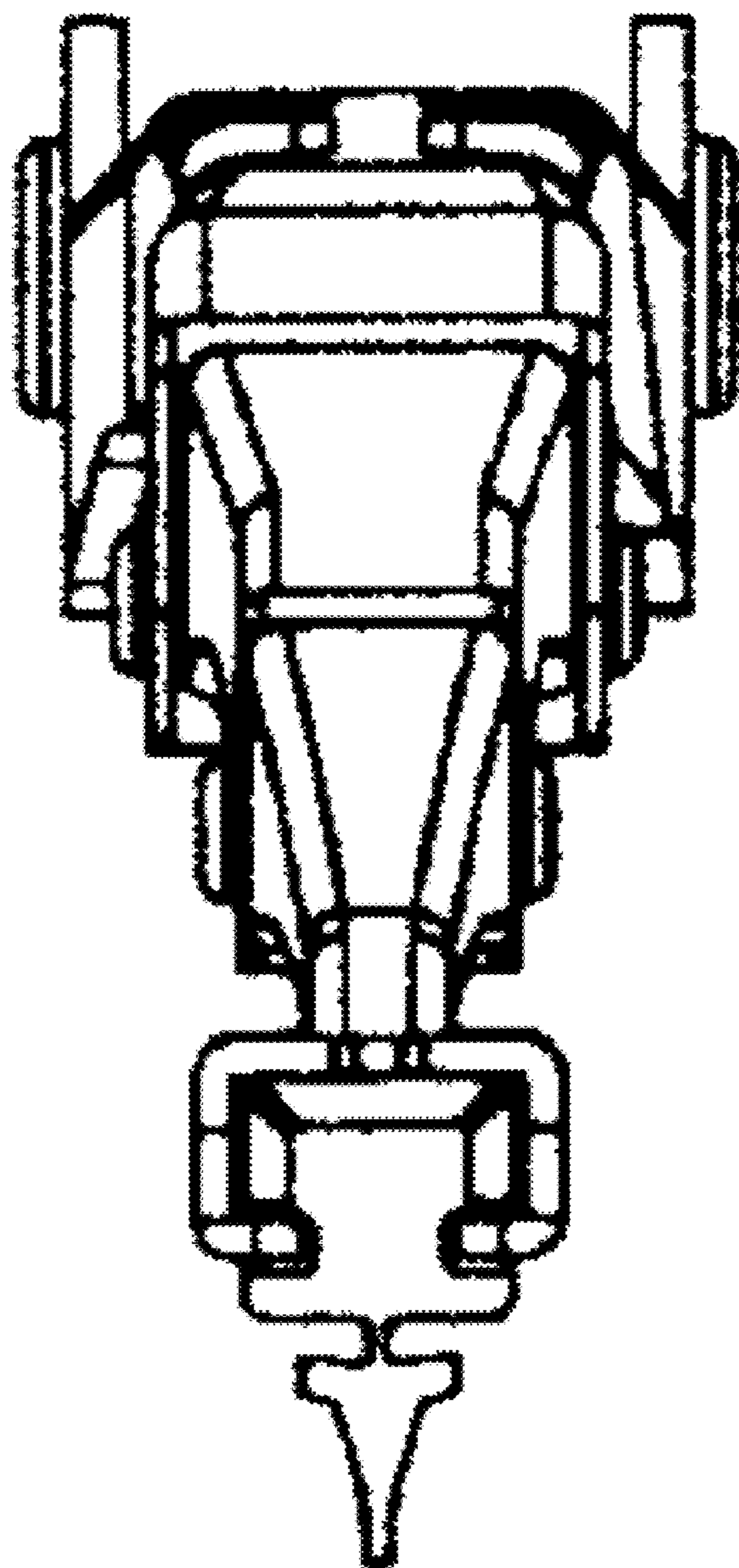


FIG. 3



**FIG. 4**



**FIG. 5**



FIG. 6

FIG. 7





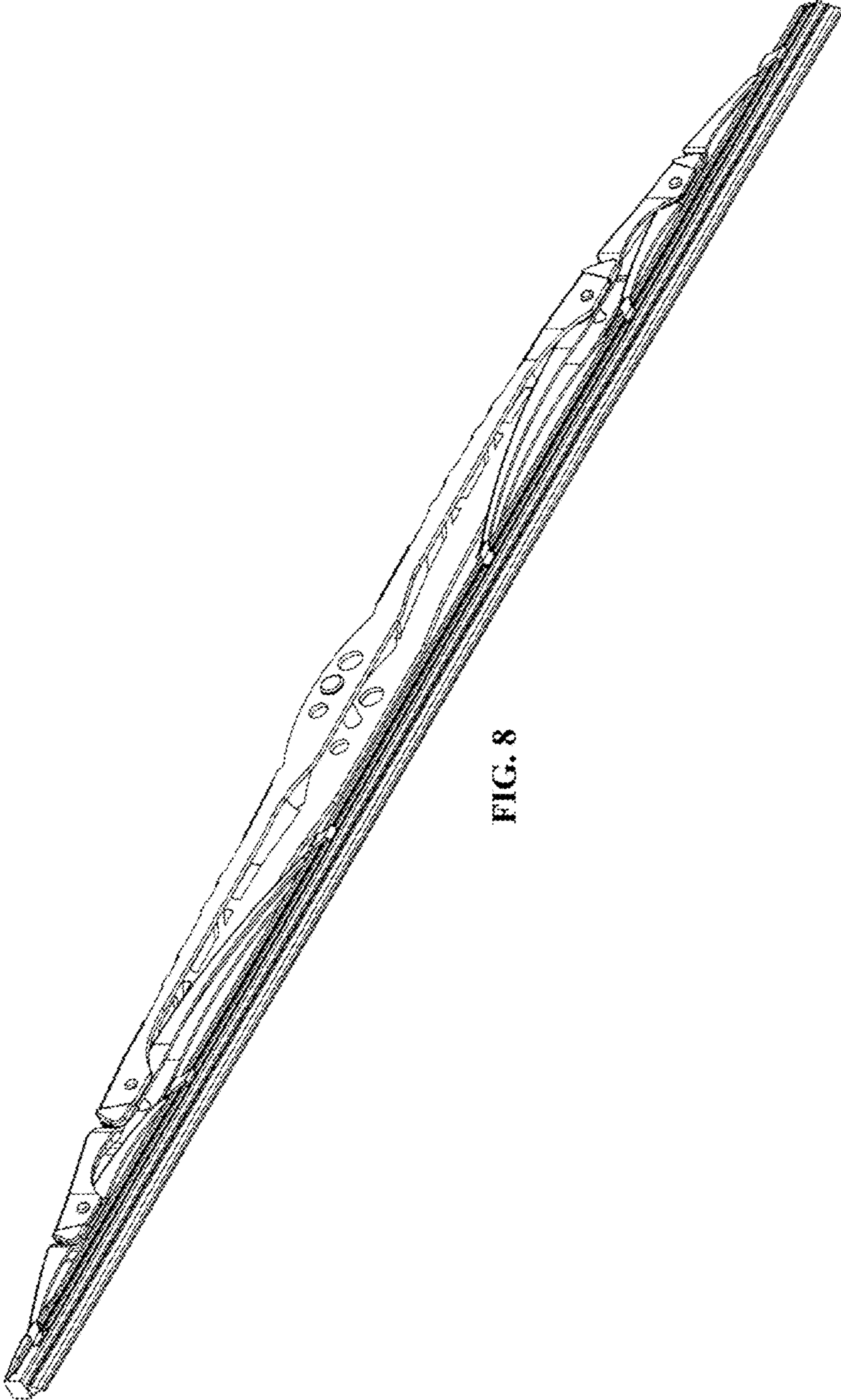


FIG. 8

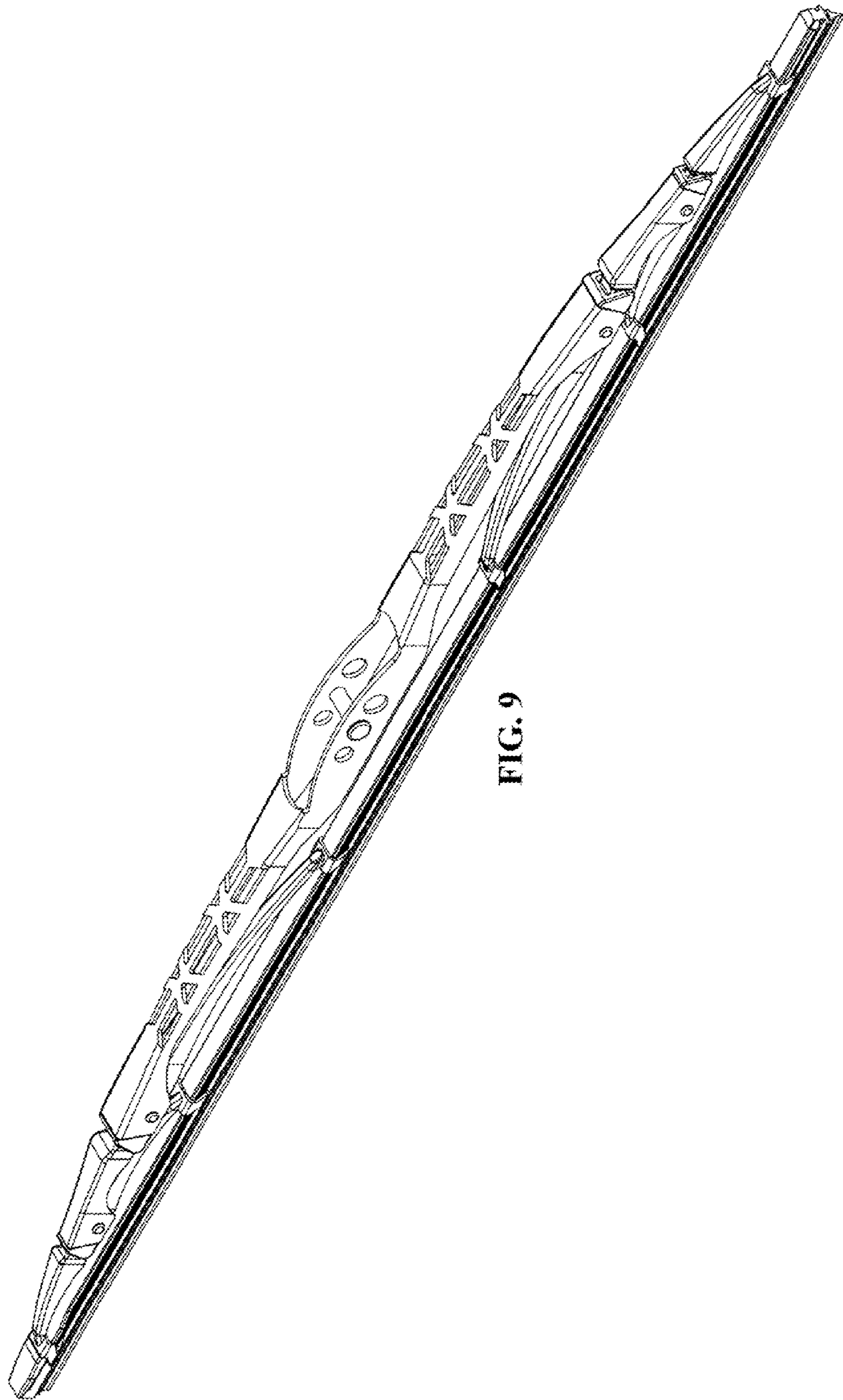


FIG. 9

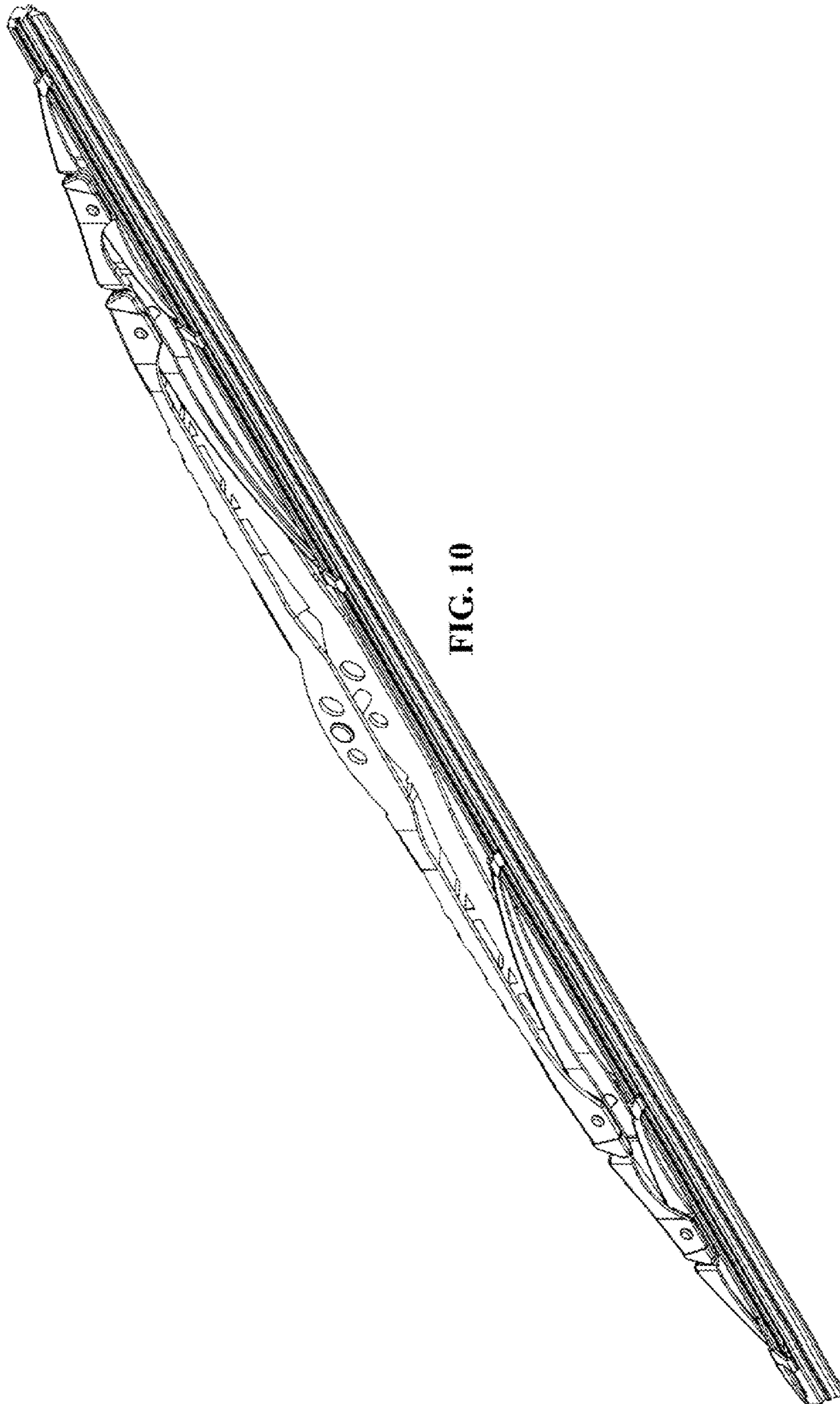


FIG. 10