



US00D594802S

(12) **United States Design Patent**  
**Gustafsson**

(10) **Patent No.:** **US D594,802 S**  
(45) **Date of Patent:** **\*\* Jun. 23, 2009**

- (54) **WHEEL RIM FOR AUTOMOBILE**
- (75) Inventor: **Anders Gustafsson, Hindås (SE)**
- (73) Assignee: **GM Global Technology Operations, Inc., Detroit, MI (US)**
- (\*\*) Term: **14 Years**
- (21) Appl. No.: **29/293,832**
- (22) Filed: **Dec. 13, 2007**
- (30) **Foreign Application Priority Data**  
Jun. 15, 2007 (DE) ..... 4 07 03 067
- (51) **LOC (9) Cl.** ..... **12-16**
- (52) **U.S. Cl.** ..... **D12/211**
- (58) **Field of Classification Search** ..... D12/204–213;  
301/37.101, 64.101, 65  
See application file for complete search history.

- (56) **References Cited**  
U.S. PATENT DOCUMENTS  
D487,717 S \* 3/2004 Lenz ..... D12/211  
D503,668 S \* 4/2005 Boyer ..... D12/209  
D503,918 S \* 4/2005 Fahr-Becker ..... D12/211  
D504,381 S \* 4/2005 Rice ..... D12/211  
D513,487 S \* 1/2006 Wachtler ..... D12/209

- D516,002 S \* 2/2006 Fahr-Becker ..... D12/211
- D516,990 S \* 3/2006 Schweizer ..... D12/211
- D522,434 S \* 6/2006 Langer ..... D12/209
- D530,252 S \* 10/2006 Gabath ..... D12/209
- D538,216 S \* 3/2007 Sycha ..... D12/209
- D540,240 S \* 4/2007 Kountouras ..... D12/211
- D558,118 S \* 12/2007 Hueller ..... D12/211
- D567,167 S \* 4/2008 Forster ..... D12/211
- D571,703 S \* 6/2008 Antoniadis et al. .... D12/211
- D585,352 S \* 1/2009 Scheu ..... D12/211

\* cited by examiner

*Primary Examiner*—Elizabeth A Albert  
*Assistant Examiner*—Kelley A Donnelly

(74) *Attorney, Agent, or Firm*—Abelman, Frayne & Schwab

(57) **CLAIM**

I claim the ornamental design for wheel rim for automobile, as shown and described.

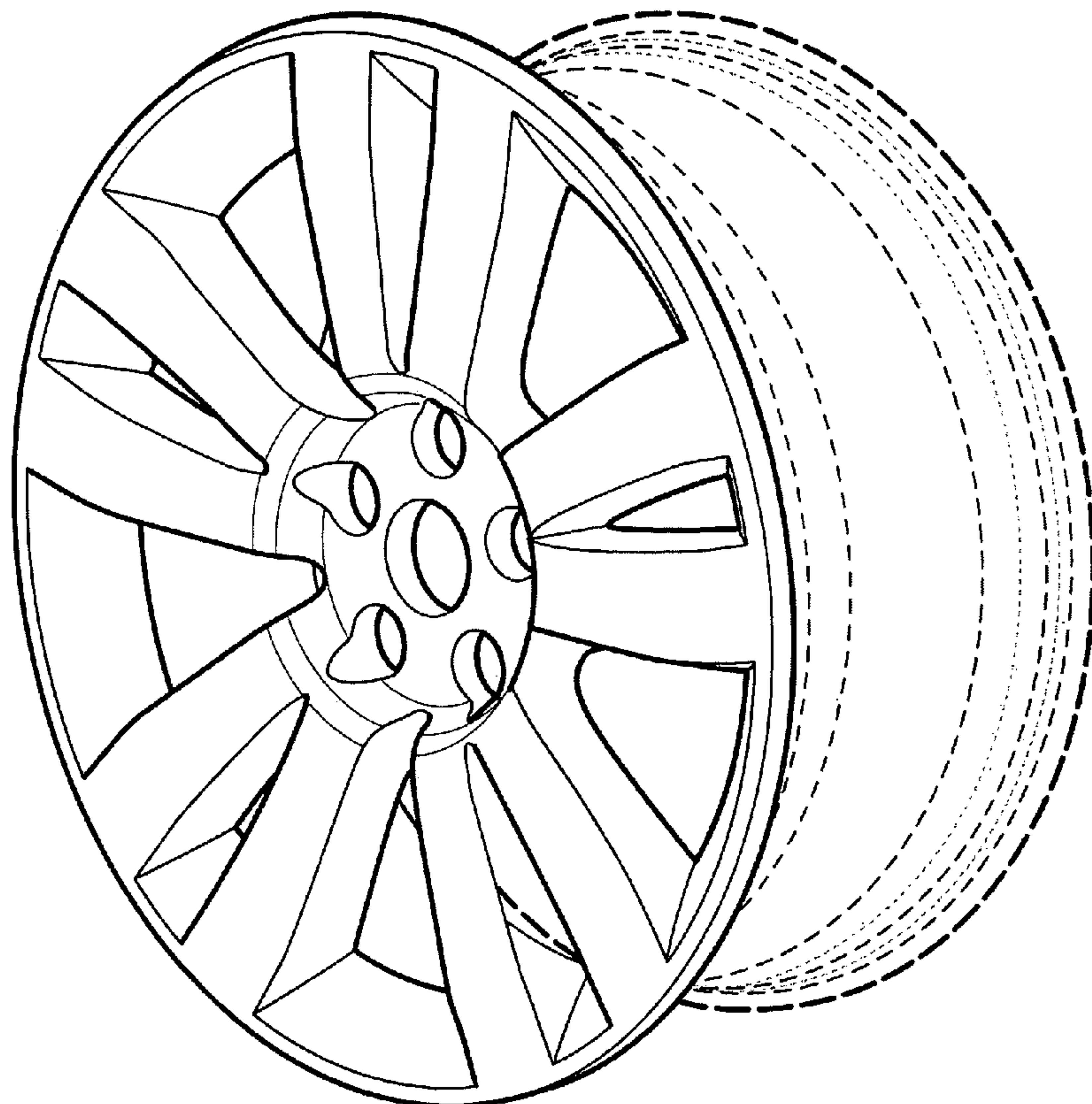
**DESCRIPTION**

FIG. 1 is a perspective view showing my new wheel rim for automobile design; and,

FIG. 2 is a front view thereof.

The broken line showing a tire rim is for environmental purposes only and forms no part of the claimed design.

**1 Claim, 2 Drawing Sheets**



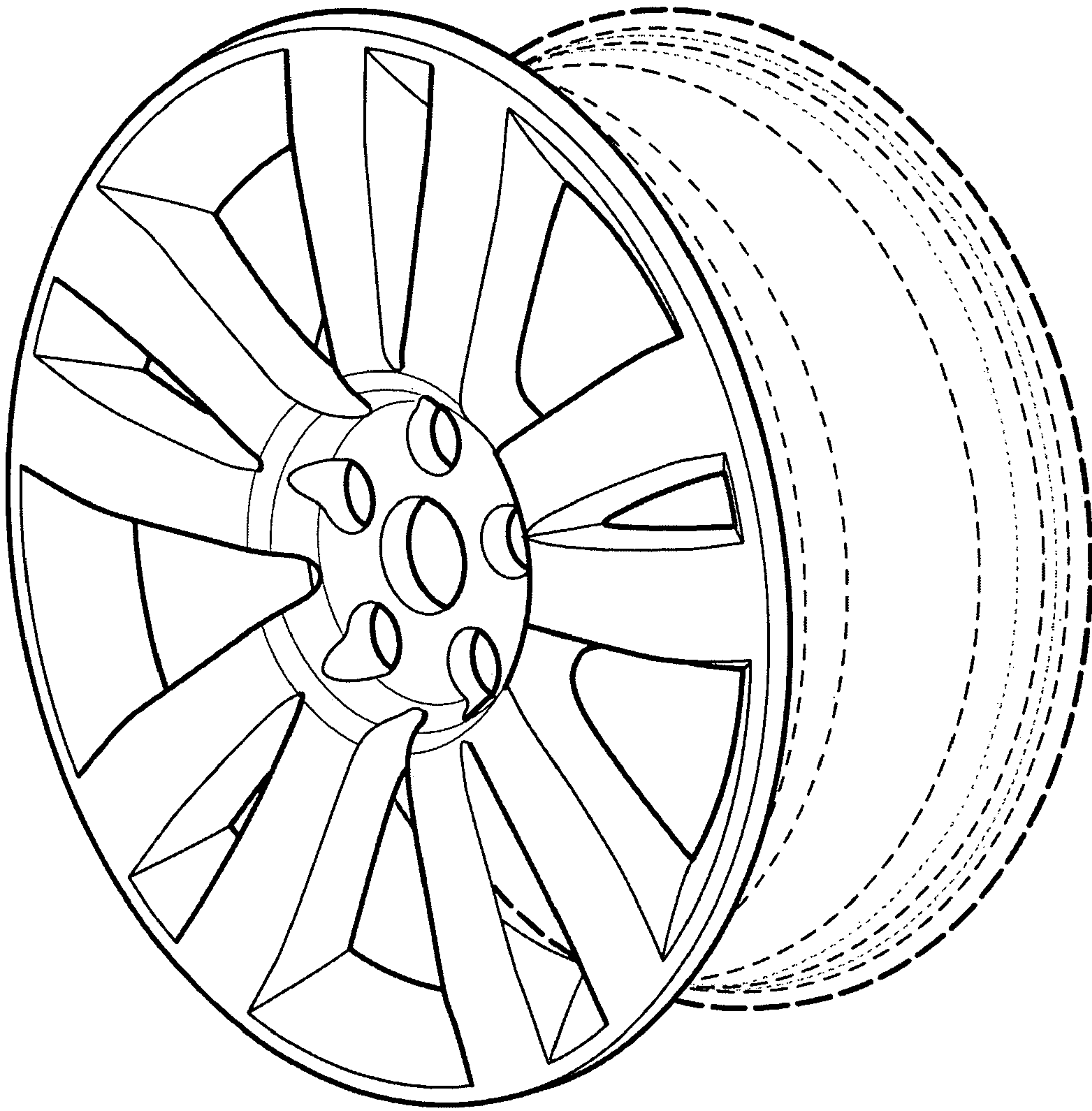


Fig. 1

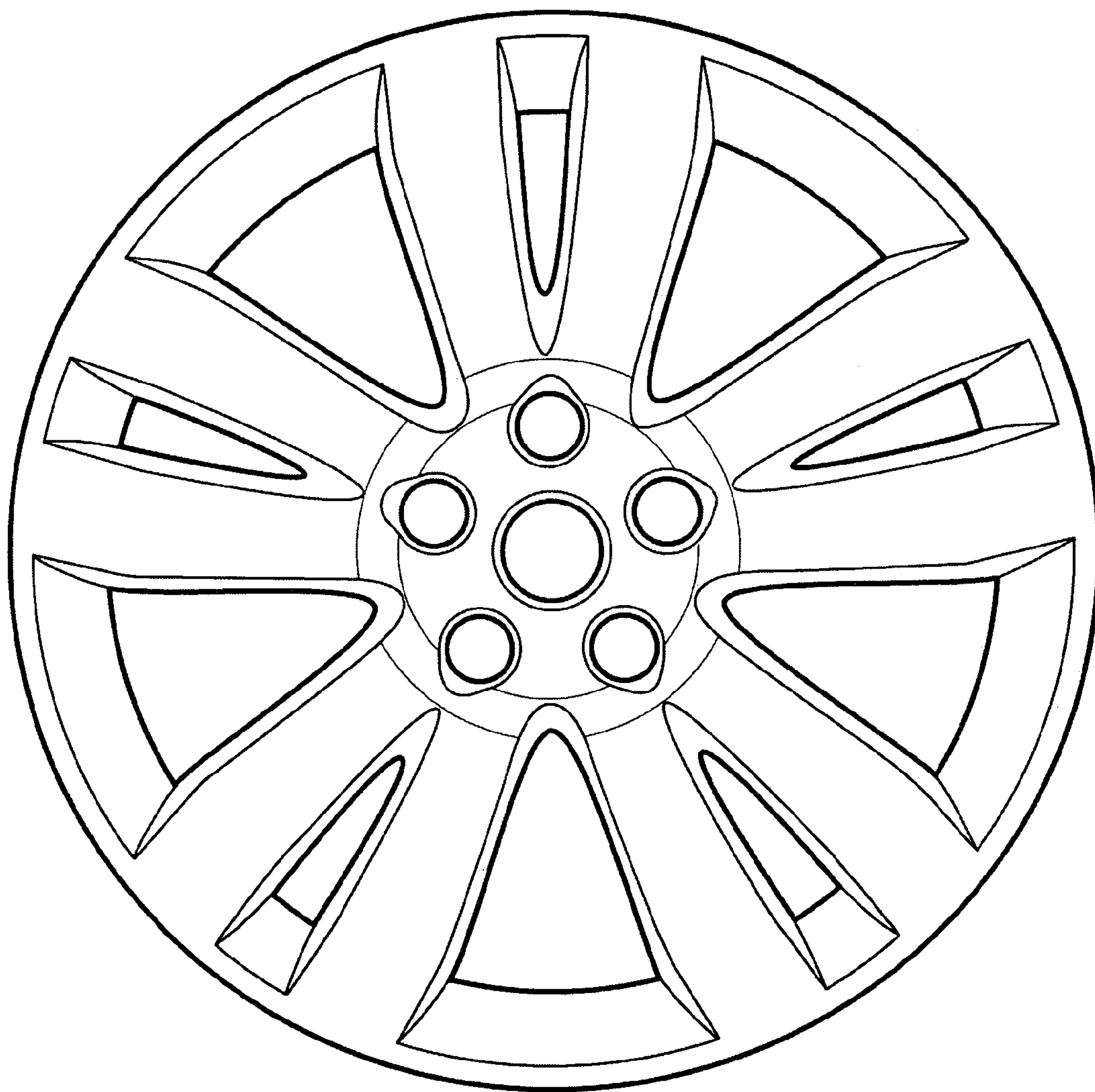


Fig. 2