



US00D594800S

(12) **United States Design Patent**  
**Blasi**

(10) **Patent No.:** **US D594,800 S**  
(45) **Date of Patent:** **\*\* Jun. 23, 2009**

(54) **WHEEL OR WHEEL COVER**

(75) Inventor: **Juliane Blasi**, Munich (DE)

(73) Assignee: **Bayerische Motoren Werke Aktiengesellschaft**, Munich (DE)

(\*\*) Term: **14 Years**

(21) Appl. No.: **29/309,986**

(22) Filed: **Nov. 26, 2008**

(30) **Foreign Application Priority Data**

May 28, 2008 (DE) ..... 402008002581

(51) **LOC (9) Cl.** ..... **12-16**

(52) **U.S. Cl.** ..... **D12/209**

(58) **Field of Classification Search** ..... D12/204-213;  
301/37.101, 64.101, 65, 64.201  
See application file for complete search history.

(56) **References Cited**

**U.S. PATENT DOCUMENTS**

D377,640 S *	1/1997	Neeper	.....	D12/209
D390,822 S *	2/1998	Neeper	.....	D12/209
D398,276 S *	9/1998	Neeper	.....	D12/209
D399,811 S *	10/1998	Echazabal	.....	D12/209
D406,255 S *	3/1999	McMath	.....	D12/209
D409,130 S *	5/1999	Brown et al.	.....	D12/209
D415,090 S *	10/1999	Pruden	.....	D12/209

D418,795 S *	1/2000	Chrysanto	.....	D12/209
D423,443 S *	4/2000	Hussaini et al.	.....	D12/209
D430,842 S *	9/2000	Chinellato	.....	D12/209
D435,004 S *	12/2000	Noriega	.....	D12/209
D458,885 S *	6/2002	Kuribayashi	.....	D12/209
D481,345 S *	10/2003	O'Connell	.....	D12/211
D525,184 S	7/2006	Huet		
D540,240 S	4/2007	Kountouras		

\* cited by examiner

*Primary Examiner*—Stacia Cadmus

(74) *Attorney, Agent, or Firm*—Crowell & Moring LLP

(57) **CLAIM**

The ornamental design for a wheel or wheel cover, as shown and described.

**DESCRIPTION**

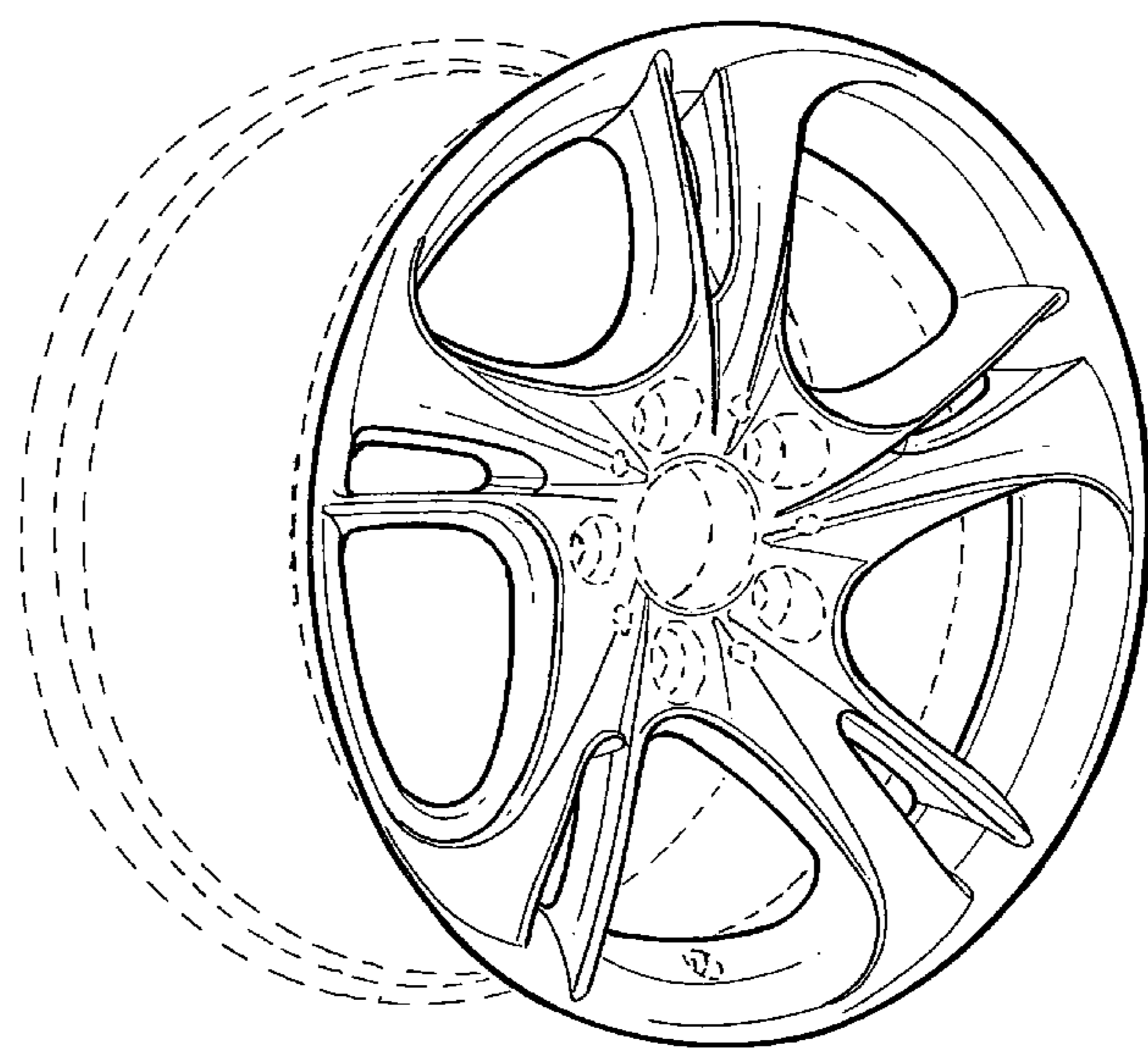
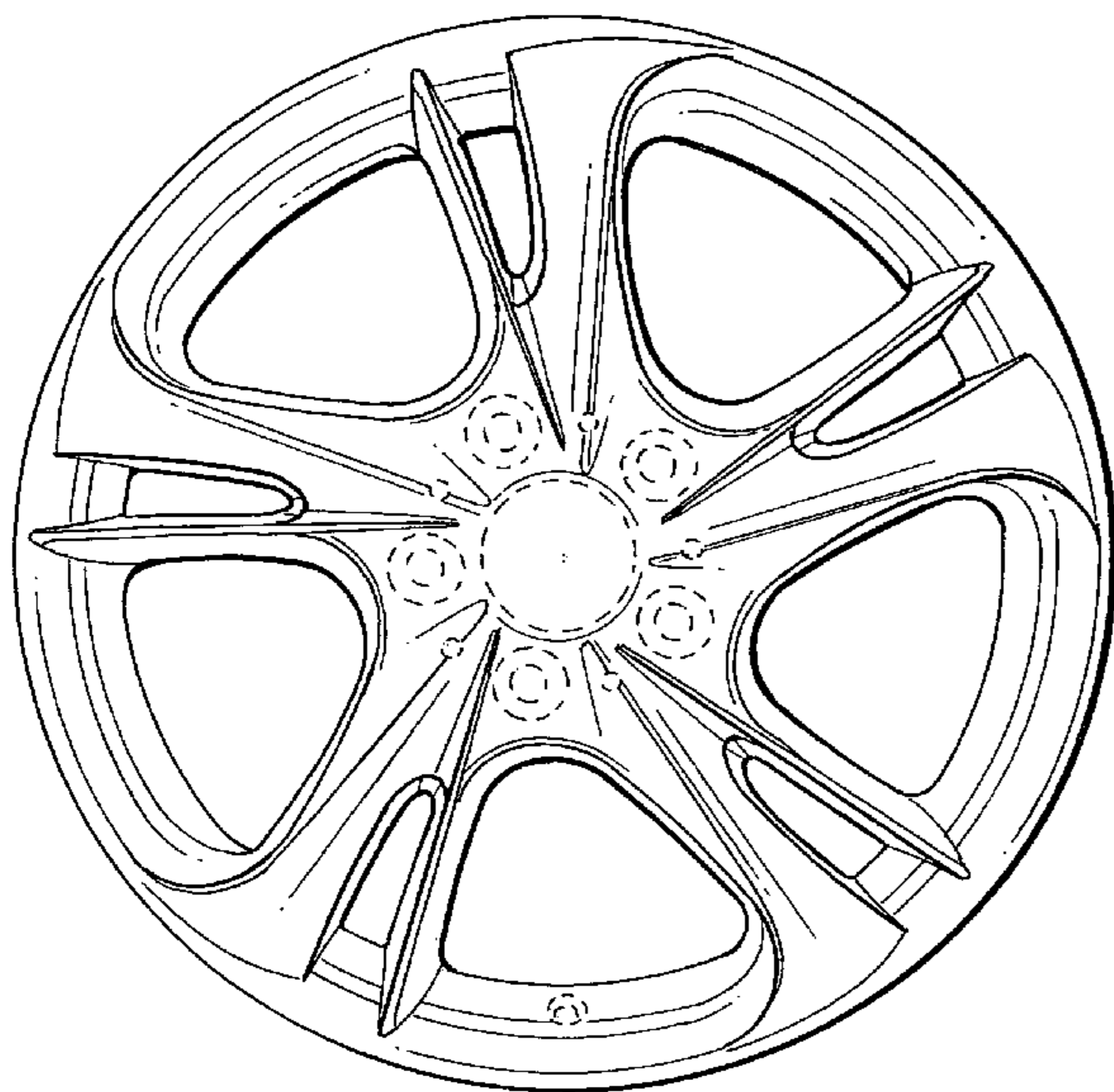
This application is related to the following co-pending applications: Ser. No. 29/265,366, filed Aug. 31, 2006; and Ser. No. 29/326,022, filed Oct. 10, 2008.

FIG. 1 is a front view of a wheel or wheel cover according to my novel design; and,

FIG. 2 is a perspective view thereof.

The broken line showing of the rear portion of the rim, the bolt holes and the center cap is included for the purpose of illustrating environment and forms no part of the claimed design.

**1 Claim, 1 Drawing Sheet**



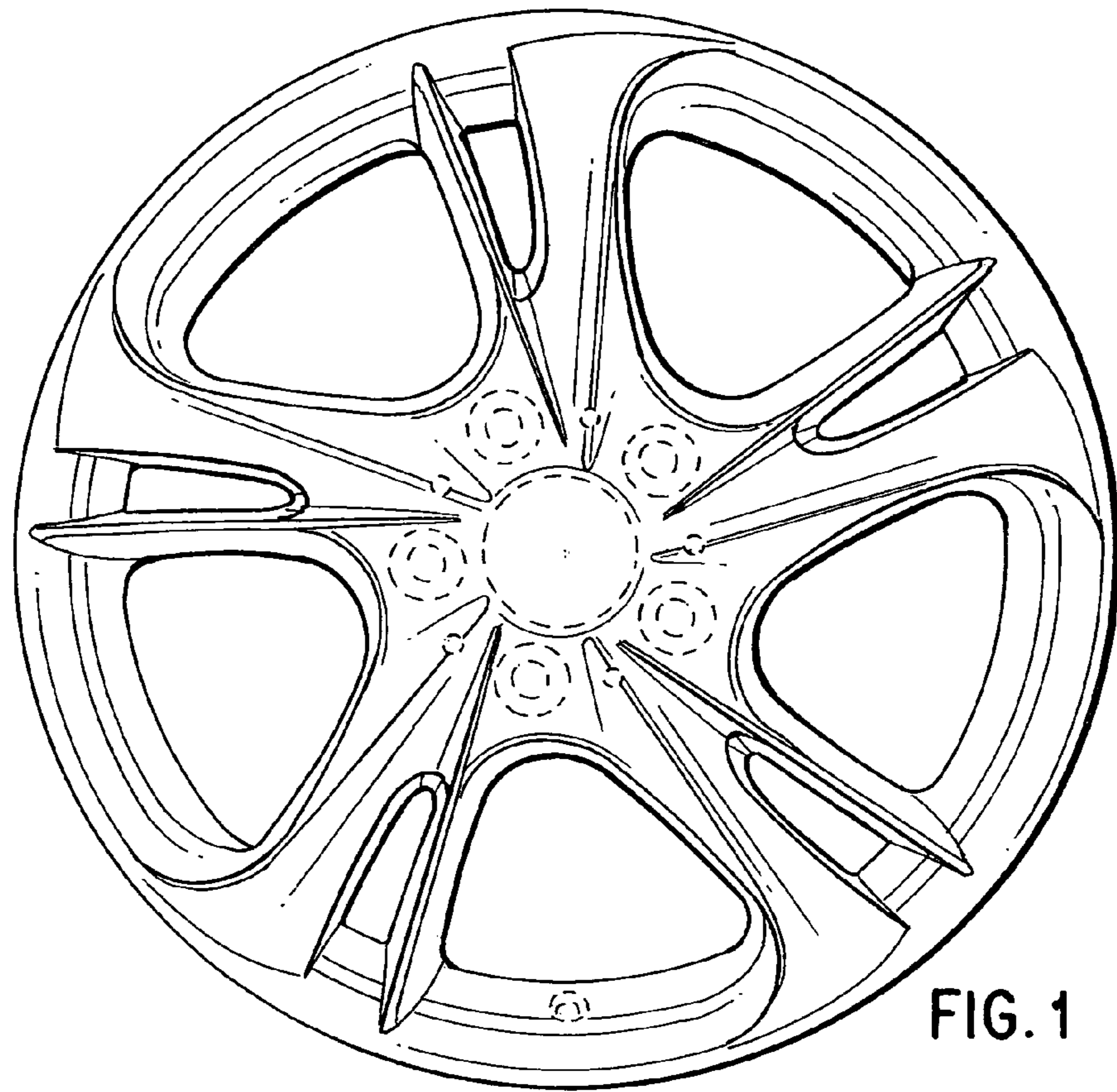


FIG. 1

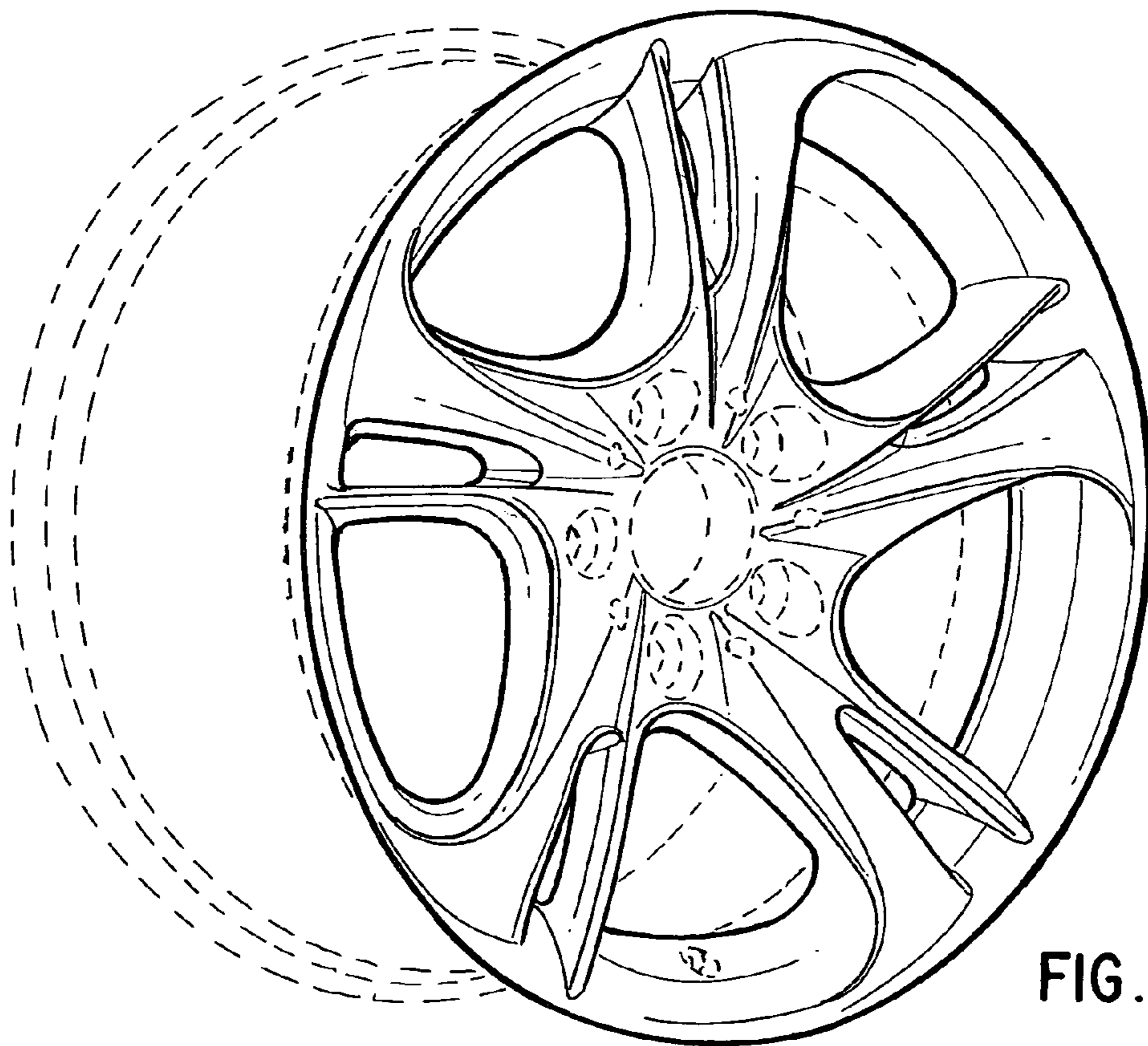


FIG. 2